



US00D596337S

(12) **United States Design Patent**
Sabernig

(10) **Patent No.:** **US D596,337 S**
(45) **Date of Patent:** **** Jul. 14, 2009**

(54) **LIGHT FIXTURE**

(75) Inventor: **Robert Sabernig**, Munster (AT)

(73) Assignee: **EGLO Leuchten GmbH**, Innsbruck (AT)

(**) Term: **14 Years**

(21) Appl. No.: **29/328,511**

(22) Filed: **Nov. 25, 2008**

(51) **LOC (9) Cl.** **26-03**

(52) **U.S. Cl.** **D26/88**

(58) **Field of Classification Search** D26/75,
D26/76, 79, 81, 83, 84, 85, 86, 88-91, 118,
D26/138, 141; 362/147, 404-408

See application file for complete search history.

(56) **References Cited**

U.S. PATENT DOCUMENTS

D87,923 S *	10/1932	Hoffmann	D26/88
D101,800 S *	11/1936	Tompkins	D26/128
D232,050 S *	7/1974	Gore et al.	D26/88
D438,328 S *	2/2001	Pan	D26/88
D566,321 S *	4/2008	Pickett	D26/89

OTHER PUBLICATIONS

“Vado” Three Light Ceiling Pendant from Thomas Lighting -Model #M2577-78. Down loaded from www.bellacor.com Mar. 1, 2009.*

George Kovacs; Kovacs Three-Light Pendant; Product No. P584; printed from Modern Lighting Universe Catalog on Dec. 22, 2008.

* cited by examiner

Primary Examiner—Clare E Heflin

(74) *Attorney, Agent, or Firm*—Baker & McKenzie LLP

(57) **CLAIM**

The ornamental design for a light fixture, as shown and described.

DESCRIPTION

FIG. 1 is a perspective view of a light fixture in accordance with my design;

FIG. 2 is a top plan view of the light fixture in accordance with my design;

FIG. 3 is a bottom plan view of the light fixture in accordance with my design;

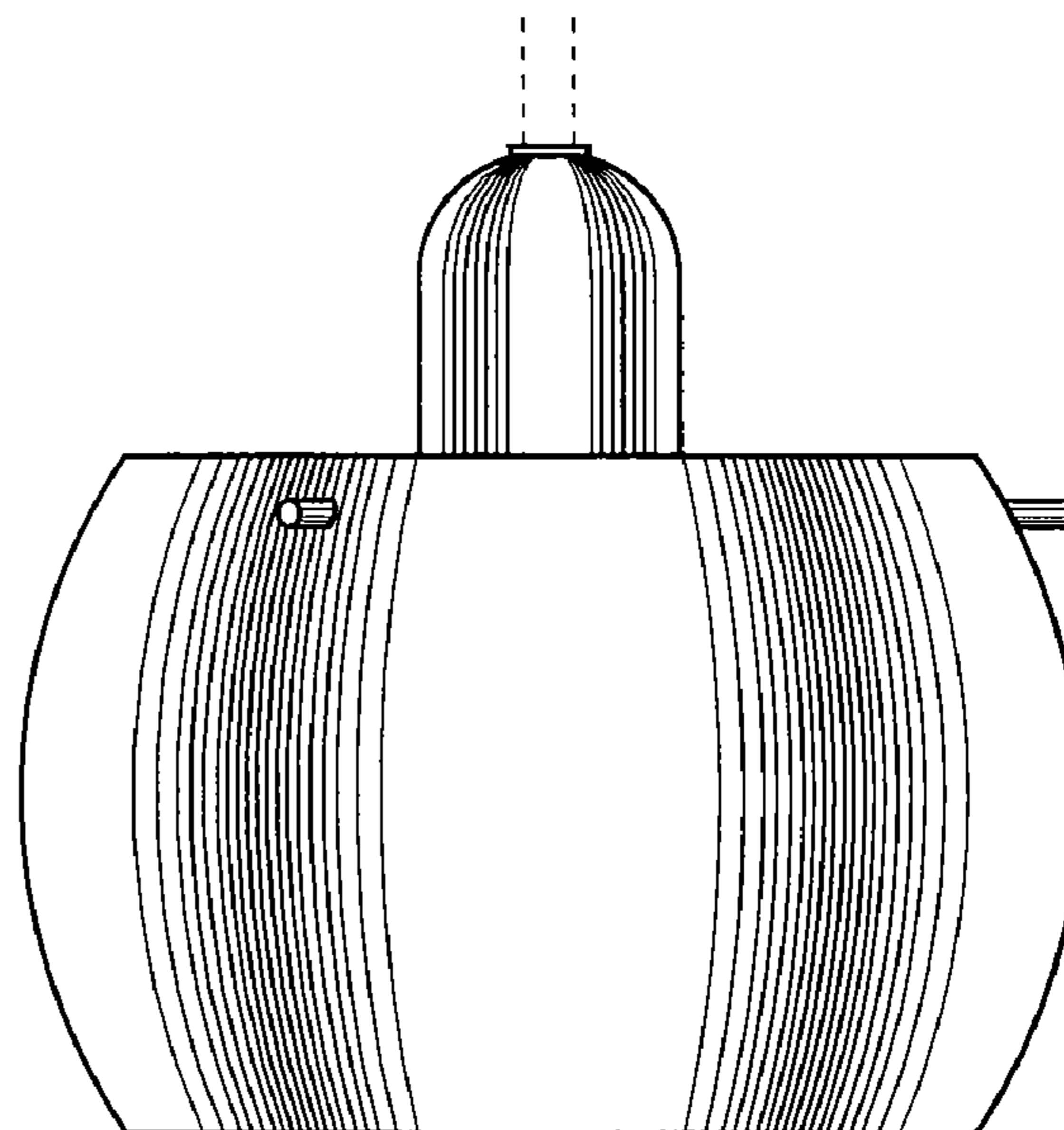
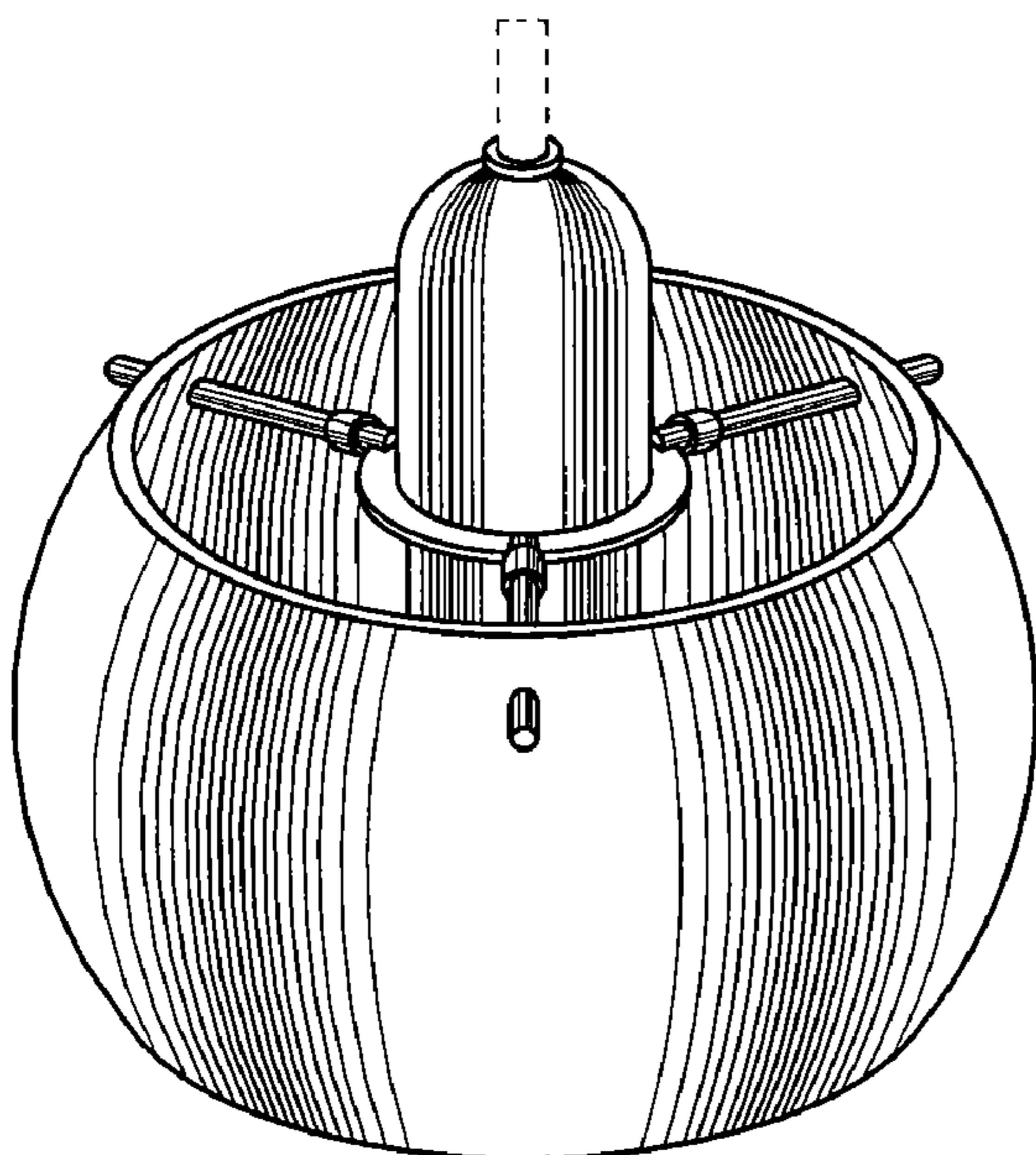
FIG. 4 is a front elevation view of the light fixture in accordance with my design;

FIG. 5 is a back elevation view of the light fixture in accordance with my design; and,

FIG. 6 is a side elevation view of the light fixture in accordance with my design, the opposite view being a mirror image of that shown.

The broken lines showing environmental structure are for illustrative purposes only and form no part of the claimed design.

1 Claim, 2 Drawing Sheets



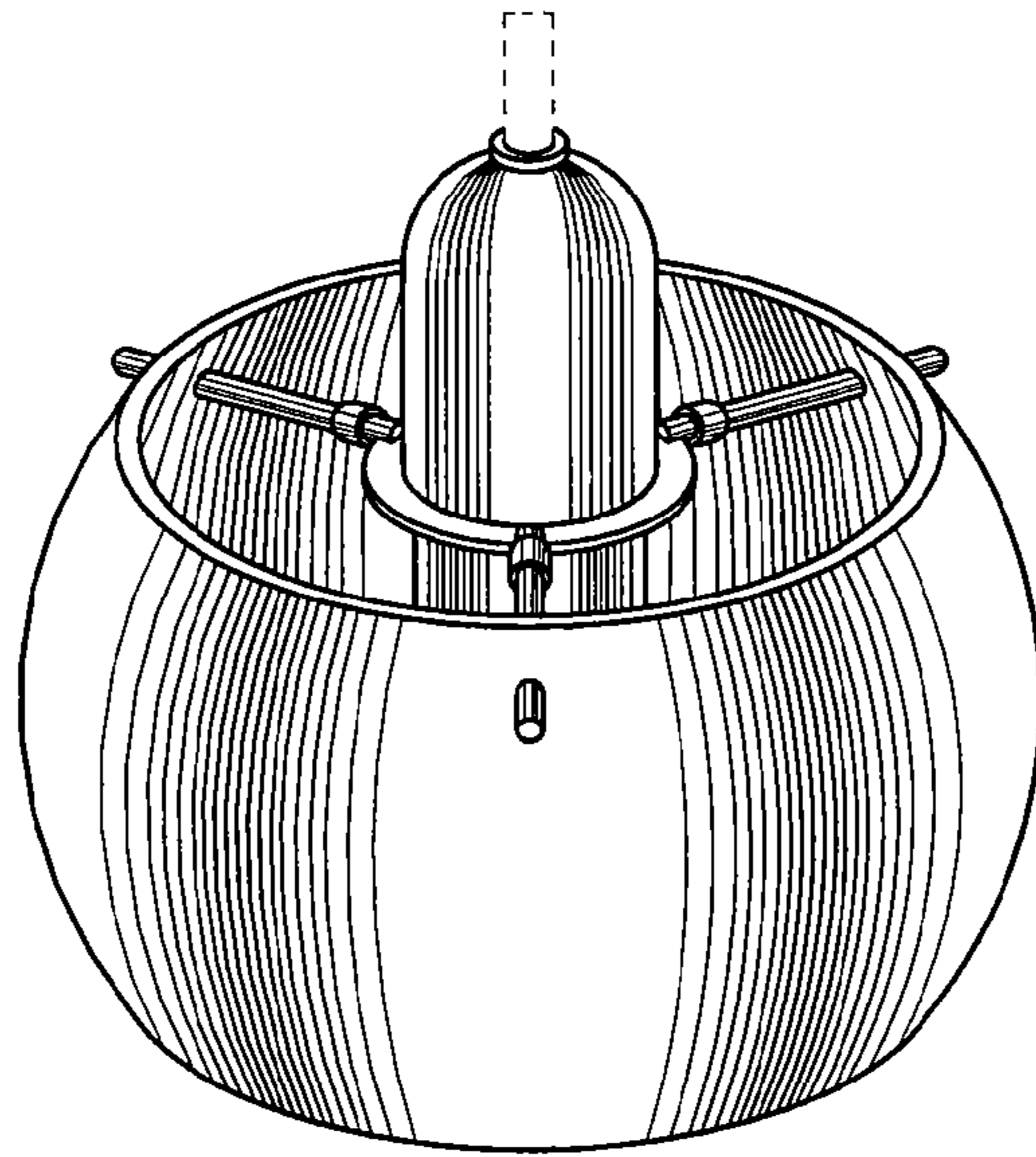


Fig.1

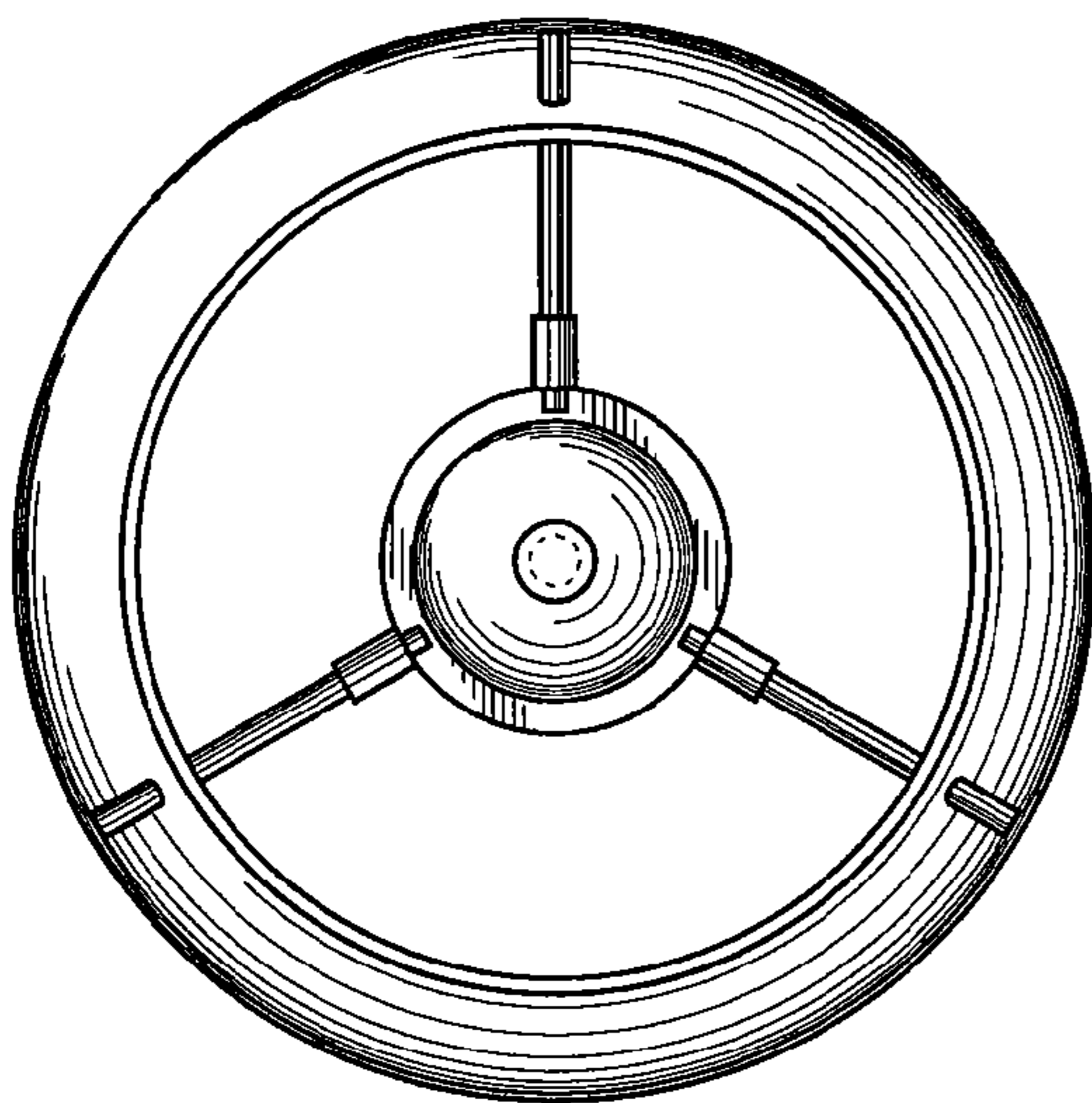


Fig.2

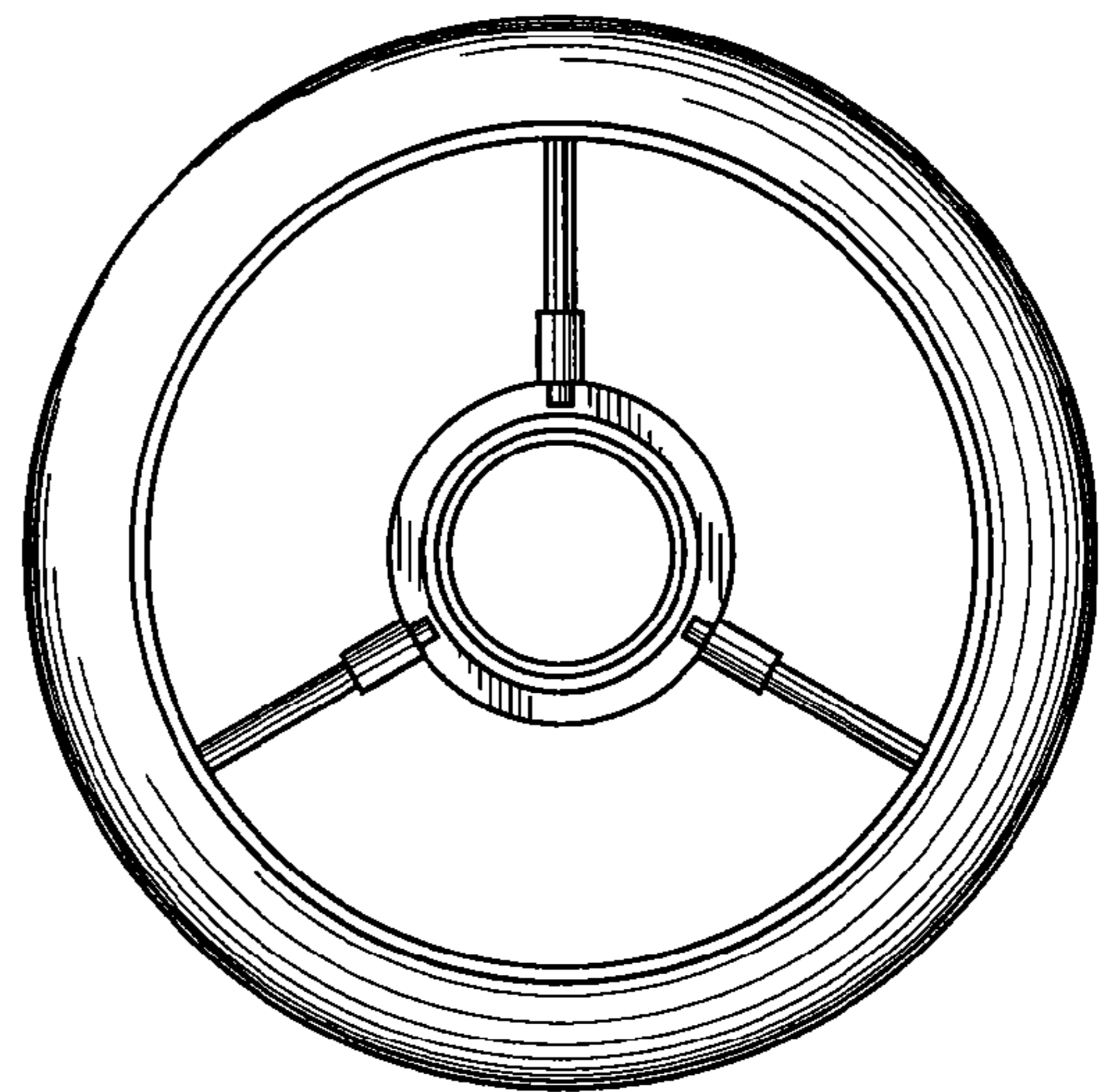


Fig.3

Fig.4

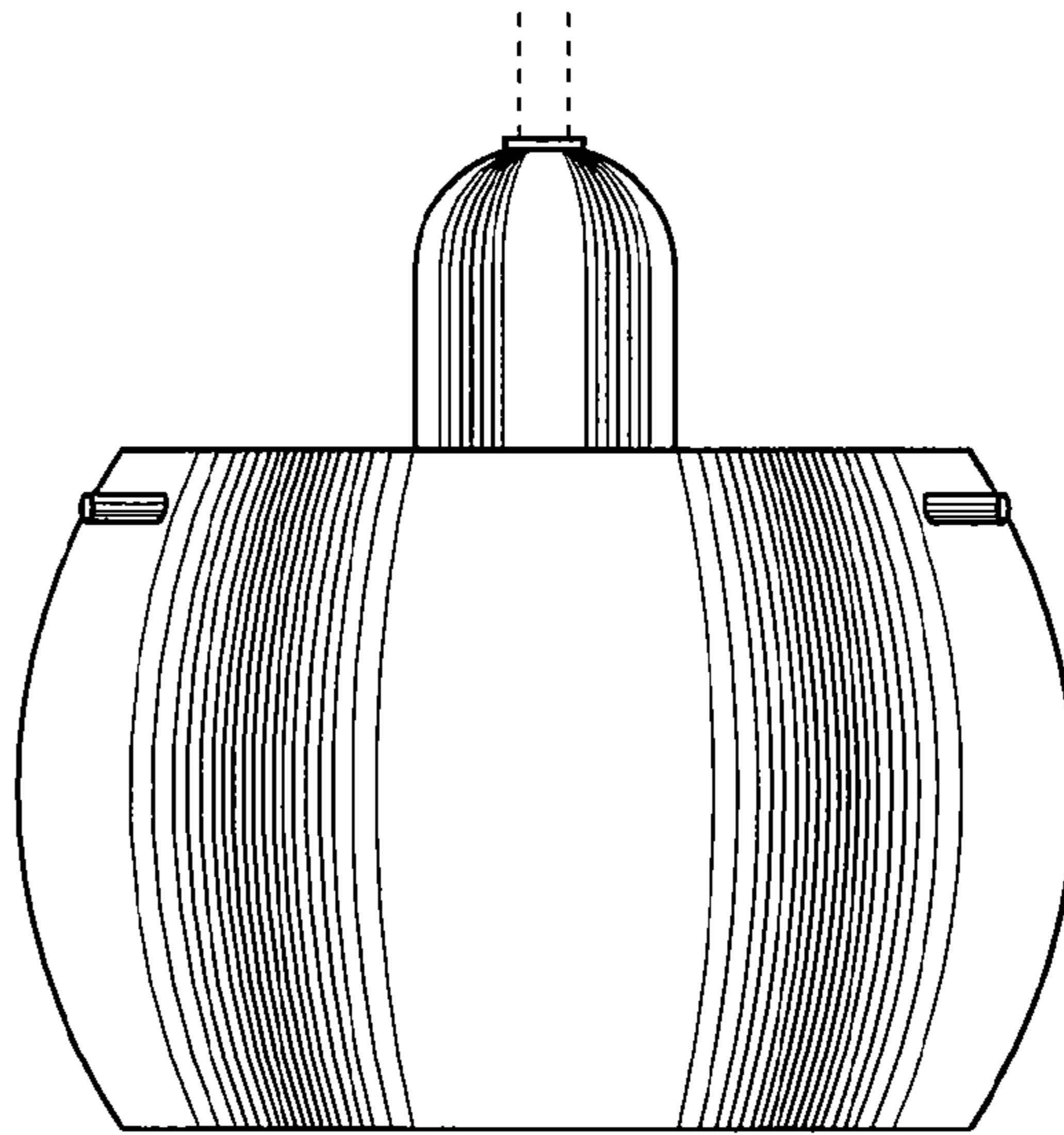


Fig.5

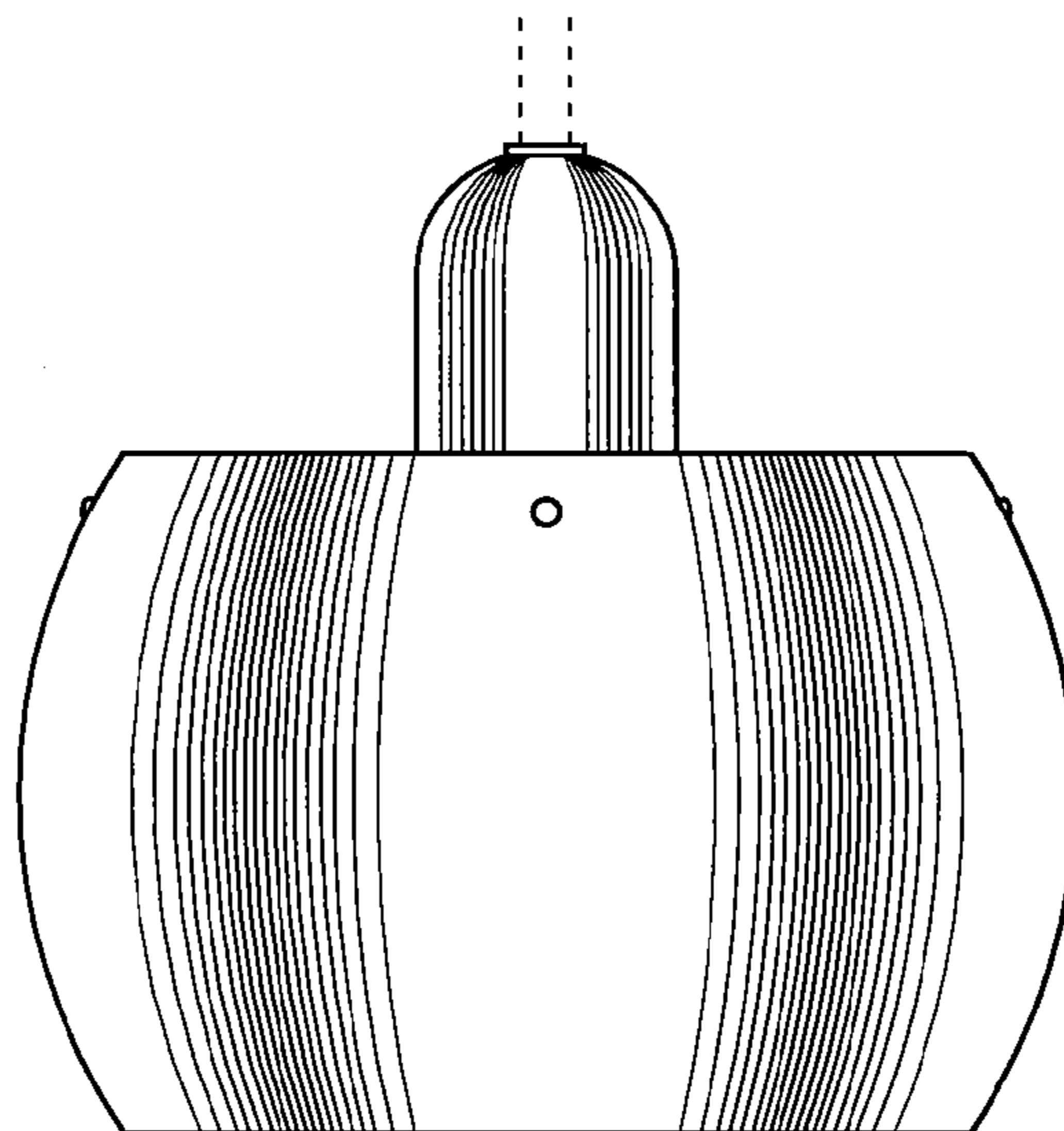


Fig.6

