



US00D596336S

(12) **United States Design Patent**  
**Sabernig**

(10) **Patent No.:** **US D596,336 S**

(45) **Date of Patent:** **\*\* Jul. 14, 2009**

(54) **LIGHT FIXTURE**

(75) Inventor: **Robert Sabernig**, Munster (AT)

(73) Assignee: **EGLO Leuchten GmbH**, Innsbruck (AT)

(\*\*) Term: **14 Years**

(21) Appl. No.: **29/328,136**

(22) Filed: **Nov. 19, 2008**

**Related U.S. Application Data**

(63) Continuation-in-part of application No. 29/303,071, filed on Jan. 31, 2008.

(51) **LOC (9) Cl.** ..... **26-03**

(52) **U.S. Cl.** ..... **D26/88**

(58) **Field of Classification Search** ..... D26/75,  
D26/76, 79, 81, 83, 84, 85, 86, 88-91, 118,  
D26/138, 141; 362/147, 404-408

See application file for complete search history.

(56) **References Cited**

**U.S. PATENT DOCUMENTS**

- D90,938 S \* 10/1933 Beck ..... D26/88
- D97,997 S \* 12/1935 Glatthar et al. .... D26/88
- D102,438 S \* 12/1936 Montmartin ..... D26/88

- D242,943 S \* 1/1977 Lazerson ..... D26/88
- D262,660 S \* 1/1982 Fairbanks et al. .... D26/88
- D324,924 S \* 3/1992 Bengochea ..... D26/88
- D459,525 S \* 6/2002 Barry ..... D26/88
- D558,384 S \* 12/2007 Bickler et al. .... D26/88

\* cited by examiner

*Primary Examiner*—Clare E Heflin

(74) *Attorney, Agent, or Firm*—Baker & McKenzie LLP

(57) **CLAIM**

The ornamental design for a light fixture, as shown and described.

**DESCRIPTION**

FIG. 1 is a perspective view of a light fixture in accordance with my design;

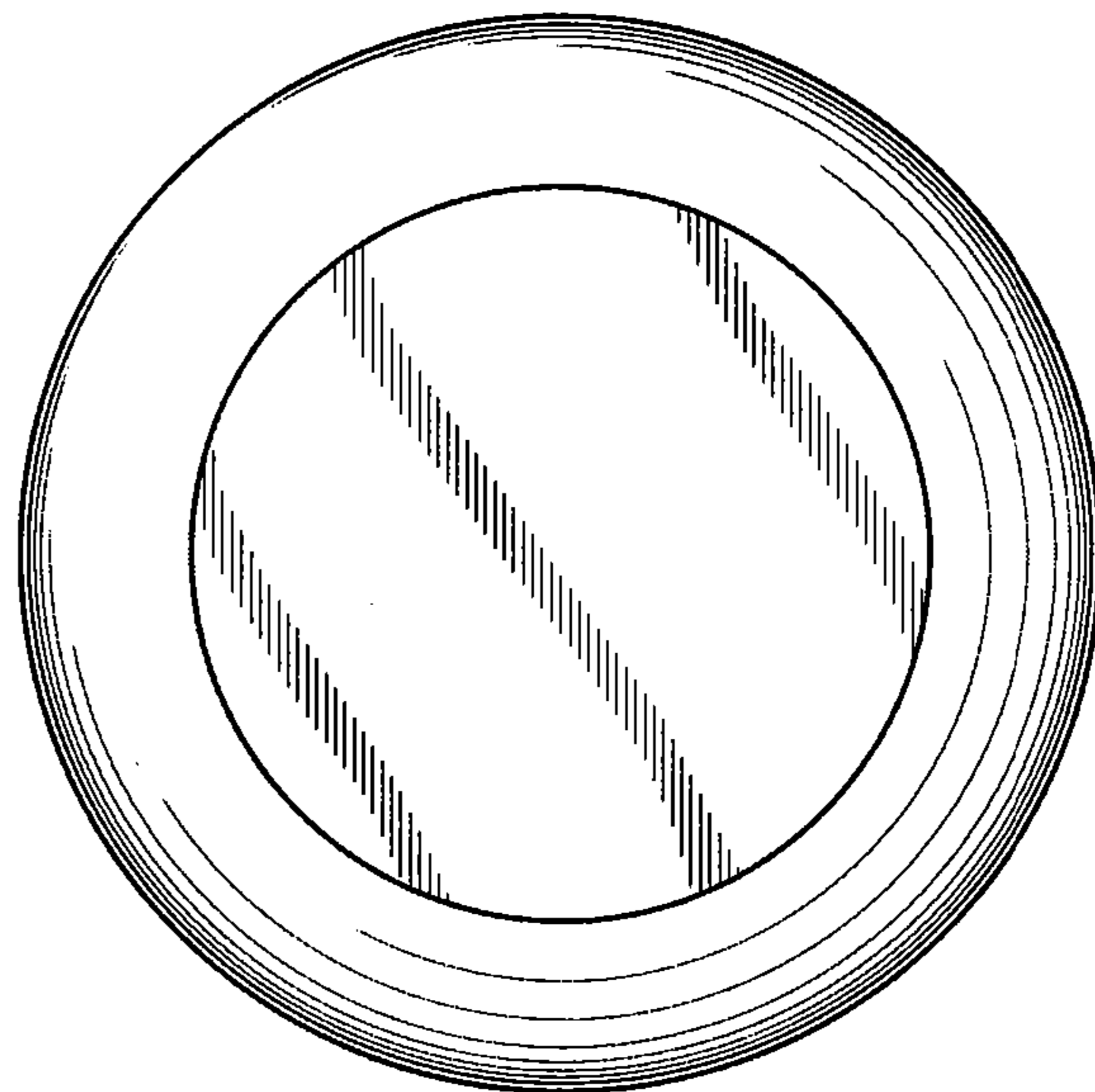
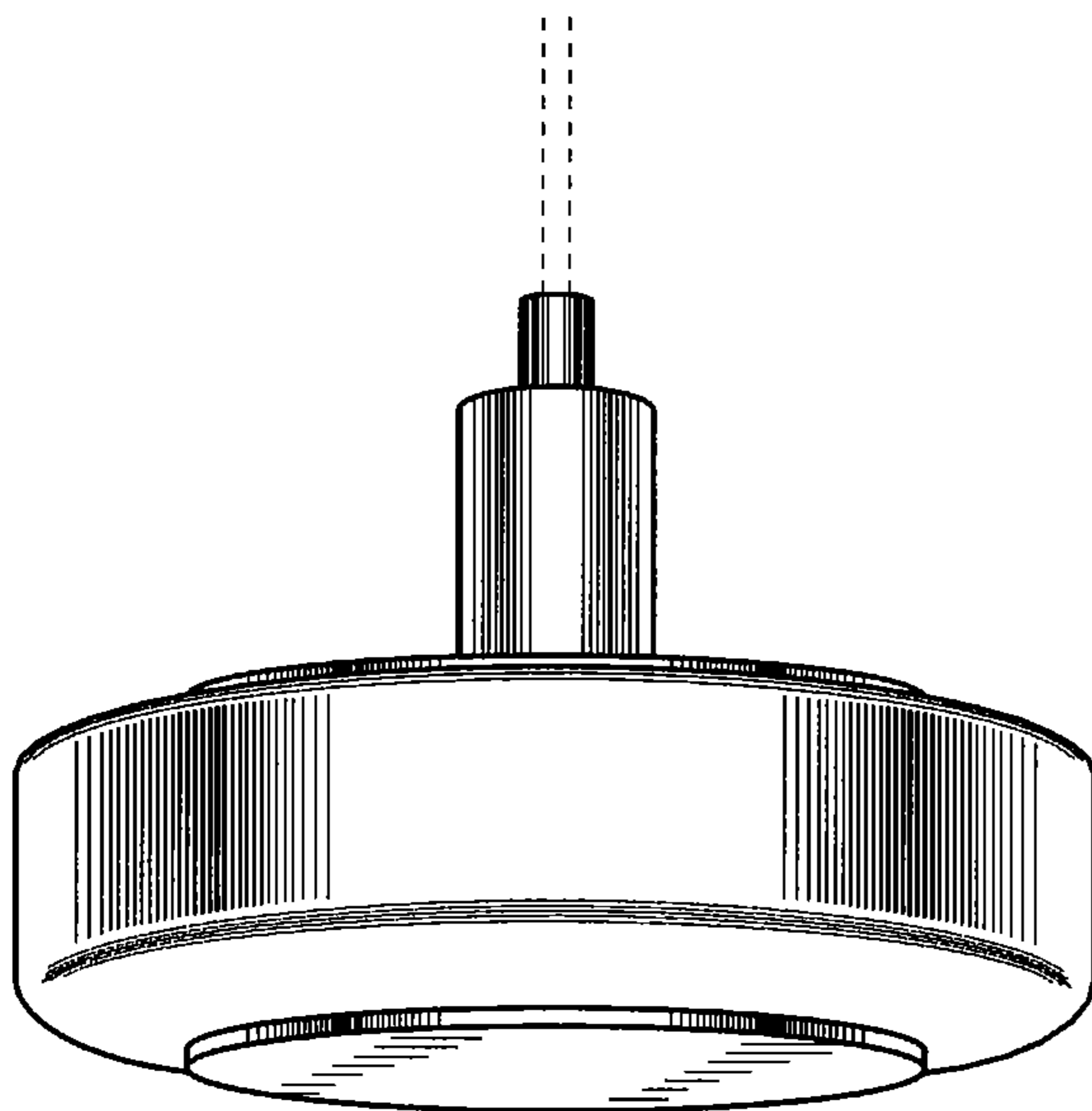
FIG. 2 is a side elevation view of the light fixture in accordance with my design, all sides being substantially identical;

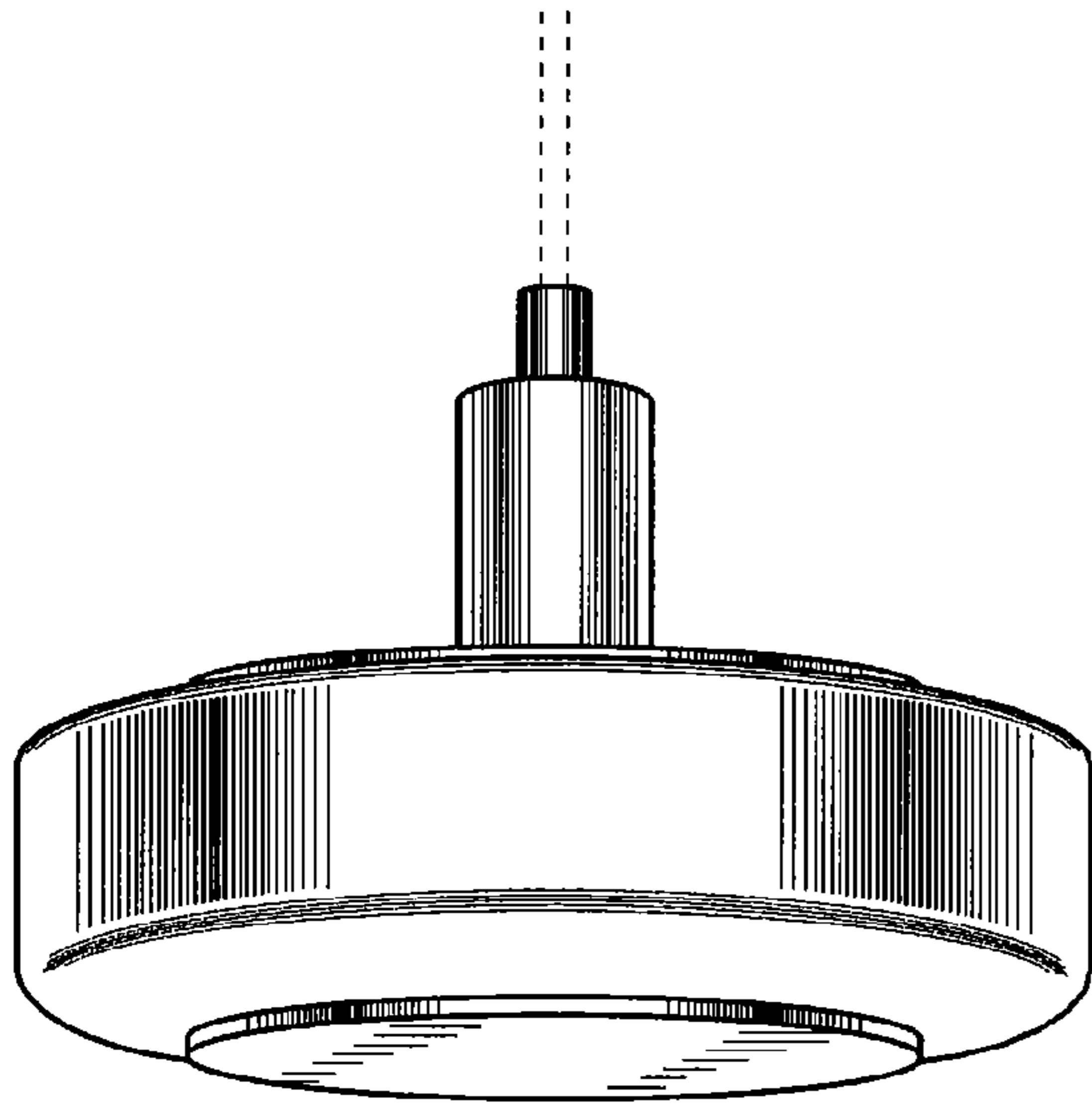
FIG. 3 is a top plan view of the light fixture in accordance with my design; and,

FIG. 4 is a bottom plan view of the light fixture in accordance with my design.

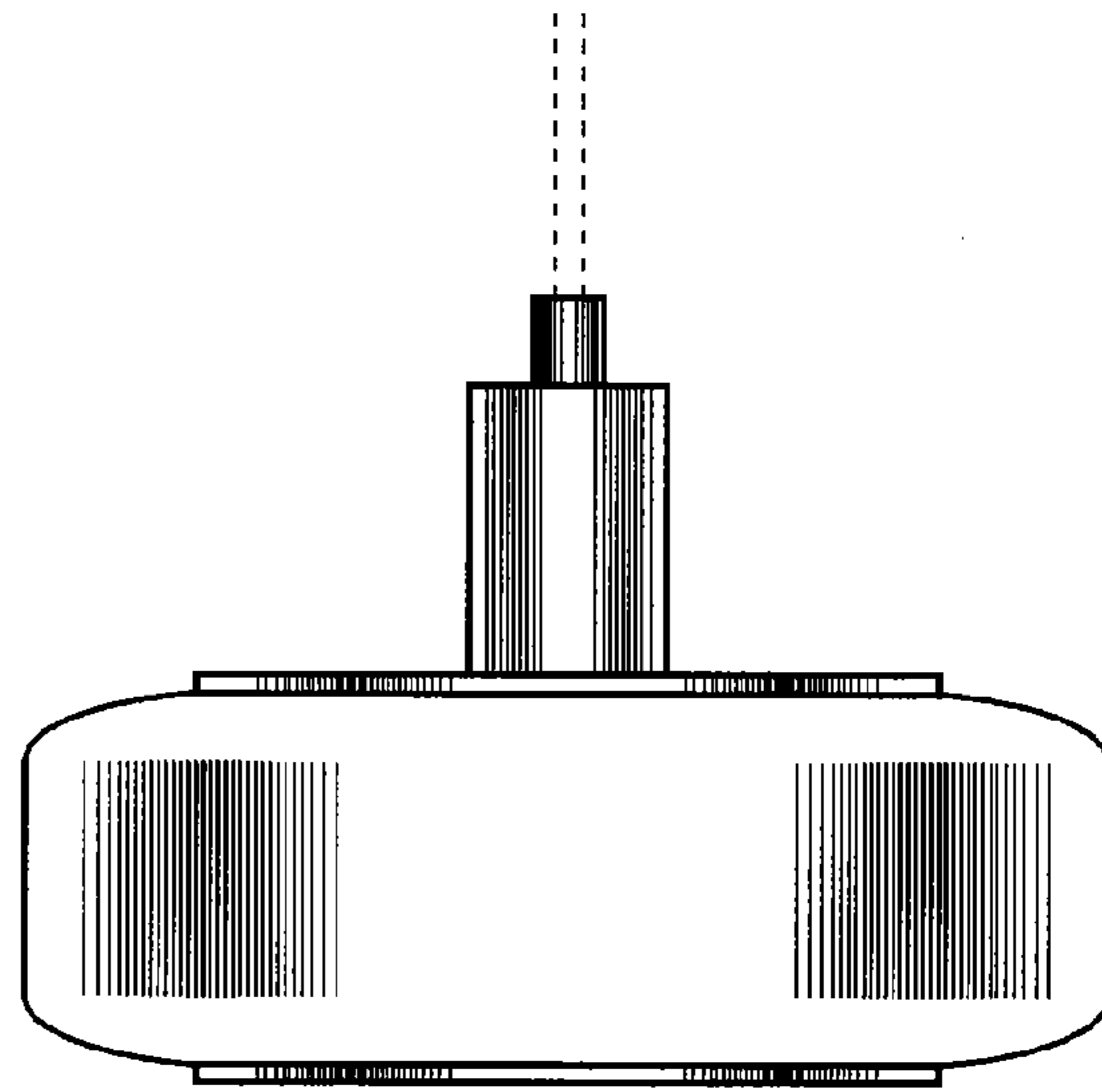
The broken lines showing environmental structure are for illustrative purposes only and form no part of the claimed design.

**1 Claim, 1 Drawing Sheet**

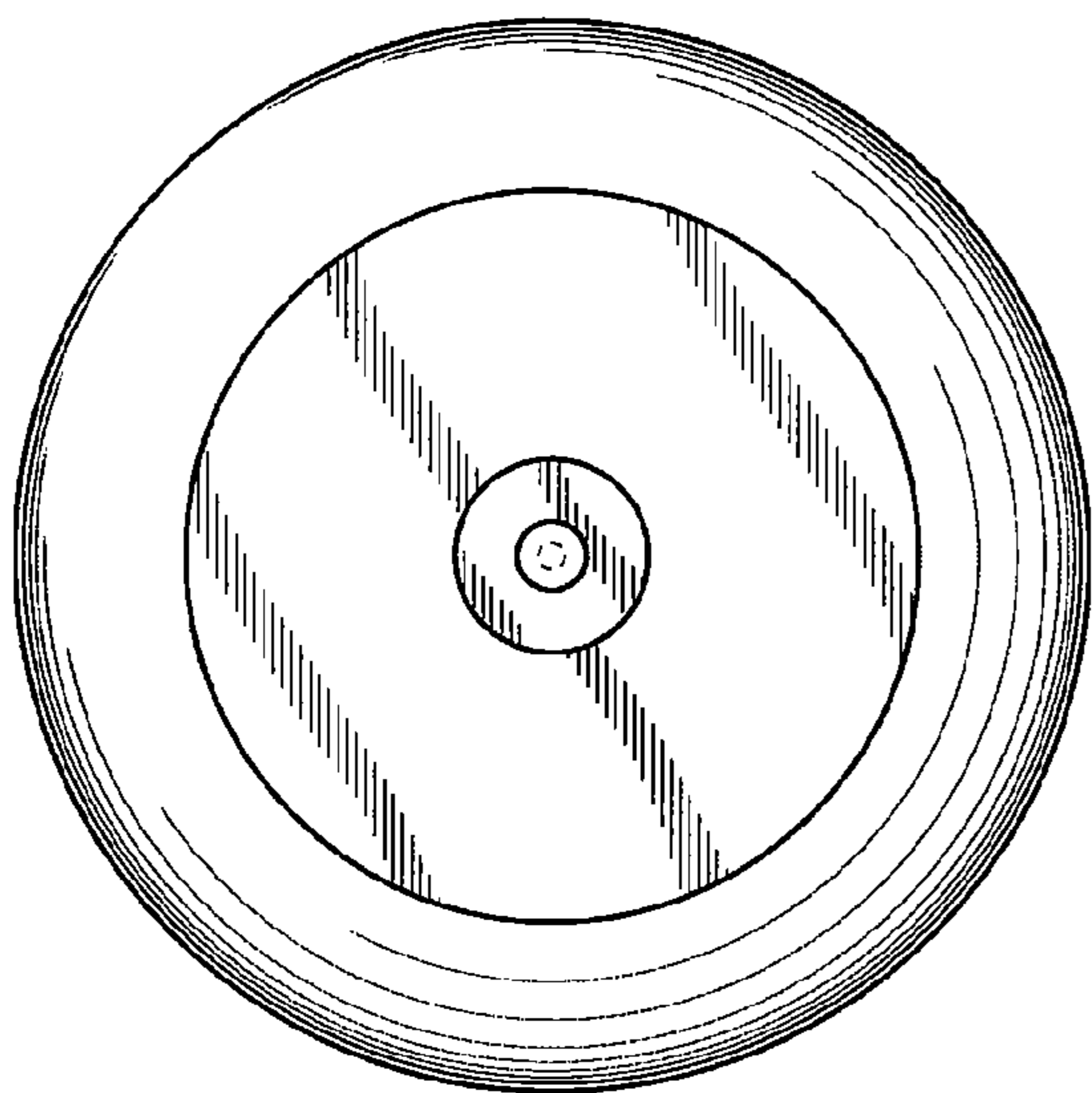




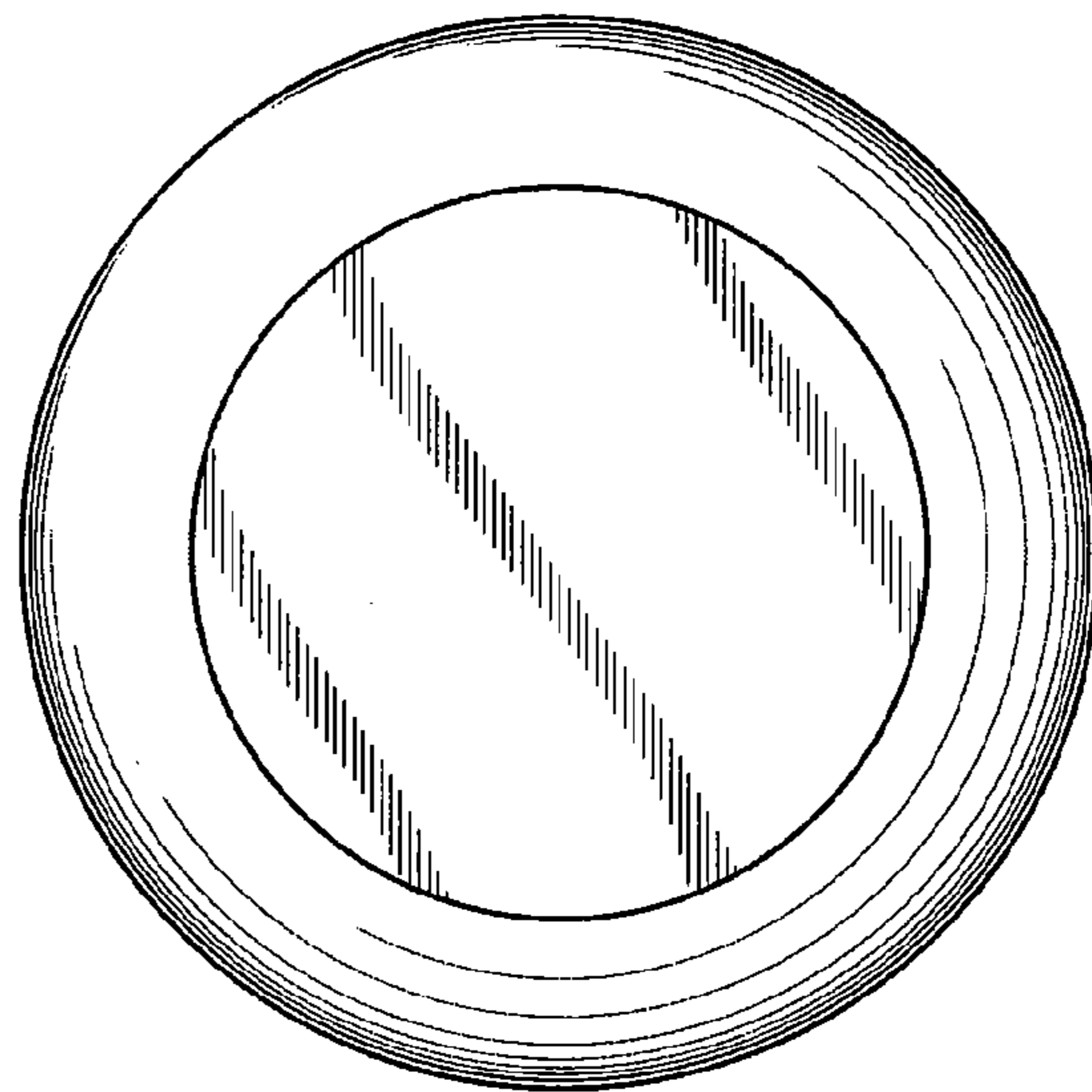
*Fig.1*



*Fig.2*



*Fig.3*



*Fig.4*