

US00D596330S

(12) **United States Design Patent**  
**Pickard et al.**

(10) **Patent No.:** **US D596,330 S**  
(45) **Date of Patent:** **\*\* Jul. 14, 2009**

(54) **LIGHTING DEVICE**

(75) Inventors: **Paul Kenneth Pickard**, Morrisville, NC (US); **James Michael Lay**, Morrisville, NC (US)

(73) Assignee: **Cree LED Lighting Solutions, Inc.**, Durham, NC (US)

(\*\*) Term: **14 Years**

(21) Appl. No.: **29/284,294**

(22) Filed: **Sep. 5, 2007**

(51) **LOC (9) Cl.** ..... **26-05**

(52) **U.S. Cl.** ..... **D26/74**

(58) **Field of Classification Search** ..... D26/1-3, D26/74-79, 118, 131; 362/27.1, 118, 147-148, 362/287, 348, 364-368, 372, 427, 455, 647, 362/802; 439/409, 419; 248/343  
See application file for complete search history.

(56) **References Cited**

**U.S. PATENT DOCUMENTS**

382,210 A	5/1888	Black
D50,559 S	4/1917	Martin
1,674,165 A	6/1928	Dorey
D79,309 S	8/1929	Sanford
2,010,322 A	8/1935	Riddell
D107,878 S	1/1938	Levy
D115,970 S	8/1939	Stewart
D160,640 S	10/1950	Magroch
2,835,791 A	5/1958	Horwitz
2,878,425 A	3/1959	Kudoh
3,040,172 A	6/1962	Kingsley
D196,618 S	10/1963	Hammes
D197,985 S	4/1964	Dawson
3,330,951 A	7/1967	Neal
3,401,258 A	9/1968	Guth
3,518,420 A	6/1970	Kripp

3,662,165 A	5/1972	Osteen et al.
3,697,742 A	10/1972	Bobrick
3,705,302 A	12/1972	Judge et al.
3,950,638 A	4/1976	Kent et al.

(Continued)

**OTHER PUBLICATIONS**

EVO Lighting—Solid State LED Lighting, [http://www.renaissance-lighting.com/index\\_PA.php?t=line&Type=1](http://www.renaissance-lighting.com/index_PA.php?t=line&Type=1), evo is a product of RL Light, 2007, pp. 1-15.

(Continued)

*Primary Examiner*—Philip S Hyder  
*Assistant Examiner*—Susan E Krakower  
(74) *Attorney, Agent, or Firm*—Burr & Brown

(57) **CLAIM**

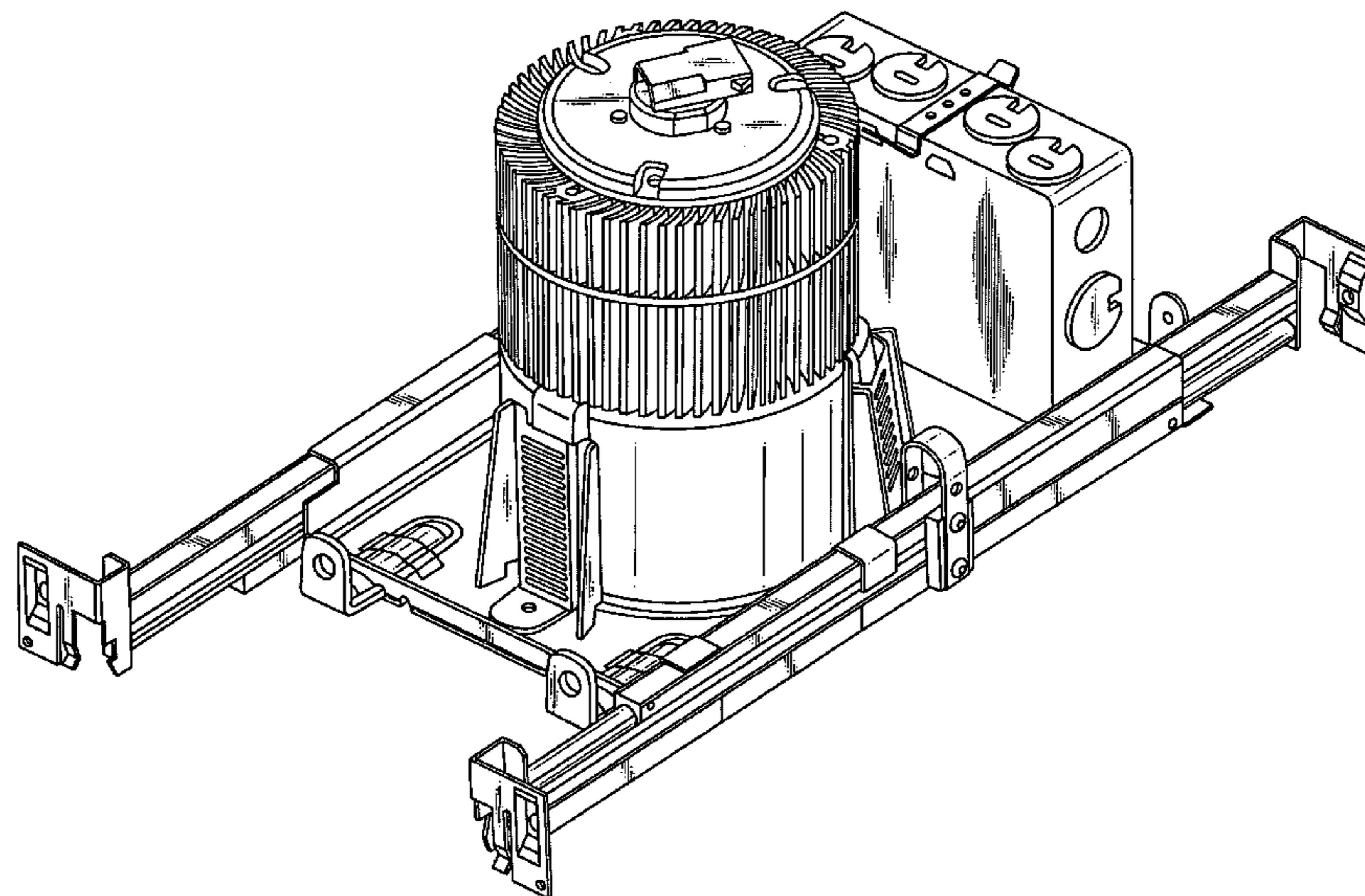
The ornamental design for a lighting device, as shown and described.

**DESCRIPTION**

FIG. 1 is a back view of the lighting device in accordance with our new design;  
FIG. 2 is a bottom view thereof;  
FIG. 3 is a front side view thereof;  
FIG. 4 is a left side view thereof;  
FIG. 5 is a right view thereof,  
FIG. 6 is a top view thereof;  
FIG. 7 is a top right front perspective view thereof; and,  
FIG. 8 is a top left perspective view thereof.

The portions of the drawings shown in broken lines represent environmental structure and form no part of the claimed design.

**1 Claim, 8 Drawing Sheets**



U.S. PATENT DOCUMENTS

D247,562 S 3/1978 Walker et al.  
 4,142,227 A 2/1979 Aikens  
 4,173,037 A 10/1979 Henderson et al.  
 4,241,393 A 12/1980 Olson  
 D259,518 S 6/1981 Garcia et al.  
 D264,007 S 4/1982 Heritage  
 4,336,575 A \* 6/1982 Gilman ..... 362/147  
 4,388,677 A \* 6/1983 Druffel ..... 362/276  
 4,404,620 A 9/1983 Takahashi et al.  
 4,453,203 A 6/1984 Pate  
 4,703,406 A 10/1987 Elliott et al.  
 4,729,080 A 3/1988 Fremont et al.  
 4,761,721 A 8/1988 Willing  
 4,803,603 A \* 2/1989 Carson ..... 362/150  
 D302,860 S 8/1989 Anema  
 4,972,339 A \* 11/1990 Gabrius ..... 362/366  
 5,014,175 A 5/1991 Osteen et al.  
 D326,163 S 5/1992 Sonneman  
 D326,537 S 5/1992 Gattari  
 5,183,330 A 2/1993 Rishel et al.  
 D340,514 S 10/1993 Liao  
 5,287,259 A 2/1994 Lautzenheiser  
 D347,292 S 5/1994 Roos et al.  
 5,345,371 A 9/1994 Cunningham et al.  
 D352,797 S 11/1994 Mehaffey  
 D353,910 S 12/1994 Hayman et al.  
 5,373,431 A 12/1994 Hayman et al.  
 5,440,471 A \* 8/1995 Zadeh ..... 362/365  
 5,465,199 A 11/1995 Bray et al.  
 D370,550 S 6/1996 Lecluze  
 D376,667 S 12/1996 Lucluze  
 D381,454 S 7/1997 Lecluze  
 D383,565 S 9/1997 Demshki et al.  
 D386,277 S 11/1997 Lecluze  
 D387,466 S 12/1997 Lecluze  
 D388,526 S 12/1997 Bray  
 D397,490 S 8/1998 Lecluze  
 5,800,050 A \* 9/1998 Leadford ..... 362/296  
 5,823,664 A 10/1998 Demshki et al.  
 D404,122 S 1/1999 Hayashi et al.  
 5,857,766 A \* 1/1999 Sieczkowski ..... 362/365  
 D410,295 S 5/1999 Lueken et al.  
 5,957,574 A \* 9/1999 Hentz et al. .... 362/365  
 6,004,011 A \* 12/1999 Sieczkowski ..... 362/365  
 D427,368 S 6/2000 Kelmelis et al.  
 6,089,732 A \* 7/2000 Wright et al. .... 362/364  
 6,095,669 A 8/2000 Cho  
 6,123,438 A \* 9/2000 Hentz ..... 362/373  
 6,176,597 B1 1/2001 Smith  
 6,179,446 B1 1/2001 Sarmadi  
 D437,654 S \* 2/2001 Chen ..... D26/74  
 6,217,189 B1 4/2001 Nassim  
 6,283,430 B1 \* 9/2001 Schubert et al. .... 248/343  
 6,375,338 B1 4/2002 Cummings et al.  
 D465,061 S 10/2002 Guthrie  
 6,474,846 B1 11/2002 Kelmelis et al.  
 6,505,960 B2 \* 1/2003 Schubert et al. .... 362/365  
 D469,916 S 2/2003 Caferro et al.

D471,314 S 3/2003 Guthrie  
 D473,965 S 4/2003 Lecluze  
 D474,298 S 5/2003 Lecluze  
 D474,300 S 5/2003 Lecluze  
 D476,108 S 6/2003 Lecluze  
 6,588,922 B1 7/2003 DeCicco  
 6,632,006 B1 \* 10/2003 Rippel et al. .... 362/366  
 6,655,813 B1 12/2003 Ng  
 D485,006 S 1/2004 Huang  
 D488,252 S 4/2004 Benghozi  
 D488,583 S 4/2004 Benghozi  
 D488,880 S 4/2004 Rahn  
 D490,930 S 6/2004 Snead  
 6,755,559 B2 6/2004 Wang et al.  
 6,921,186 B1 7/2005 Viskovich  
 D516,235 S 2/2006 Rashidi  
 D527,119 S 8/2006 Maxik et al.  
 D528,673 S 9/2006 Maxik et al.  
 7,121,696 B2 10/2006 Whitfield, Sr.  
 D538,951 S 3/2007 Maxik et al.  
 D538,952 S 3/2007 Maxik et al.  
 D544,128 S 6/2007 Carro  
 D545,457 S 6/2007 Chen  
 D548,391 S 8/2007 Lecluze  
 2003/0142499 A1 7/2003 Chiu  
 2003/0185012 A1 10/2003 Sitzema et al.

OTHER PUBLICATIONS

U.S. Appl. No. 29/267,856, filed Oct. 23, 2006, Chan et al.  
 U.S. Appl. No. 29/267,857, filed Oct. 23, 2006, Chan et al.  
 U.S. Appl. No. 29/267,911, filed Oct. 23, 2006, Chan et al.  
 U.S. Appl. No. 29/267,853, filed Oct. 23, 2006, Chan et al.  
 U.S. Appl. No. 29/267,854, filed Oct. 23, 2006, Chan et al.  
 U.S. Appl. No. 29/267,860, filed Oct. 23, 2006, Chan et al.  
 U.S. Appl. No. 29/267,855, filed Oct. 23, 2006, Chan et al.  
 U.S. Appl. No. 29/267,852, filed Oct. 23, 2006, Chan et al.  
 U.S. Appl. No. 29/279,351, filed Apr. 27, 2007, Chan et al.  
 U.S. Appl. No. 29/279,352, filed Apr. 27, 2007, Chan et al.  
 U.S. Appl. No. 29/279,354, filed Apr. 27, 2007, Chan et al.  
 U.S. Appl. No. 29/279,355, filed Apr. 20, 2007, Chan et al.  
 U.S. Appl. No. 29/279,357, filed Apr. 27, 2007, Pickard et al.  
 U.S. Appl. No. 29/279,589, filed May 3, 2007, Pickard et al.  
 U.S. Appl. No. 29/279,591, filed May 3, 2007, Pickard et al.  
 DOE SSL Commercial Product Testing Program Report, DOE SSL CPTP Report Product Test Reference # CPTP 07-09 Replacement Lamp, (2007), pp. 1-23.  
 DOE SSL Commercial Product Testing Program Report, DOE SSL CPTP Report Product Test Reference # CPTP 07-04 Downlight, (2007), pp. 1-13.  
 DOE SSL Commercial Product Testing Program Report, DOE SSL CPTP Report Product Test Reference # CPTP 07-05 Downlight, (2007), pp. 1-13.  
 DOE SSL Commercial Product Testing Program Report, DOE SSL CPTP Report Product Test Reference # CPTP 07-06 Replacement Lamp, (2007), pp. 1-22.  
 DOE SSL Commercial Product Testing Program Report, DOE SSL CPTP Report Product Test Reference # CPTP 07-08 Replacement Lamp, (2007), pp. 1-22.

\* cited by examiner



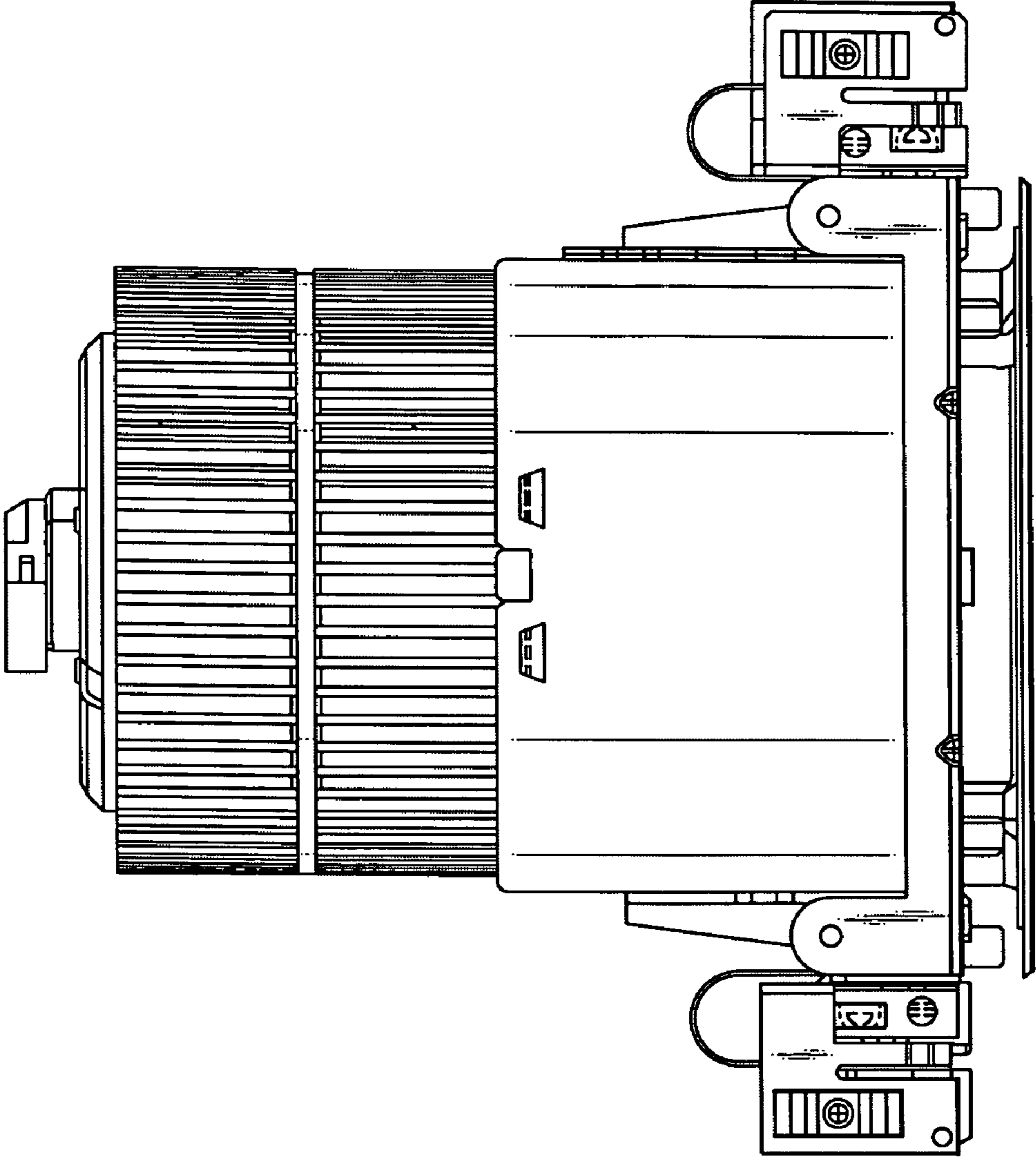


FIG.1

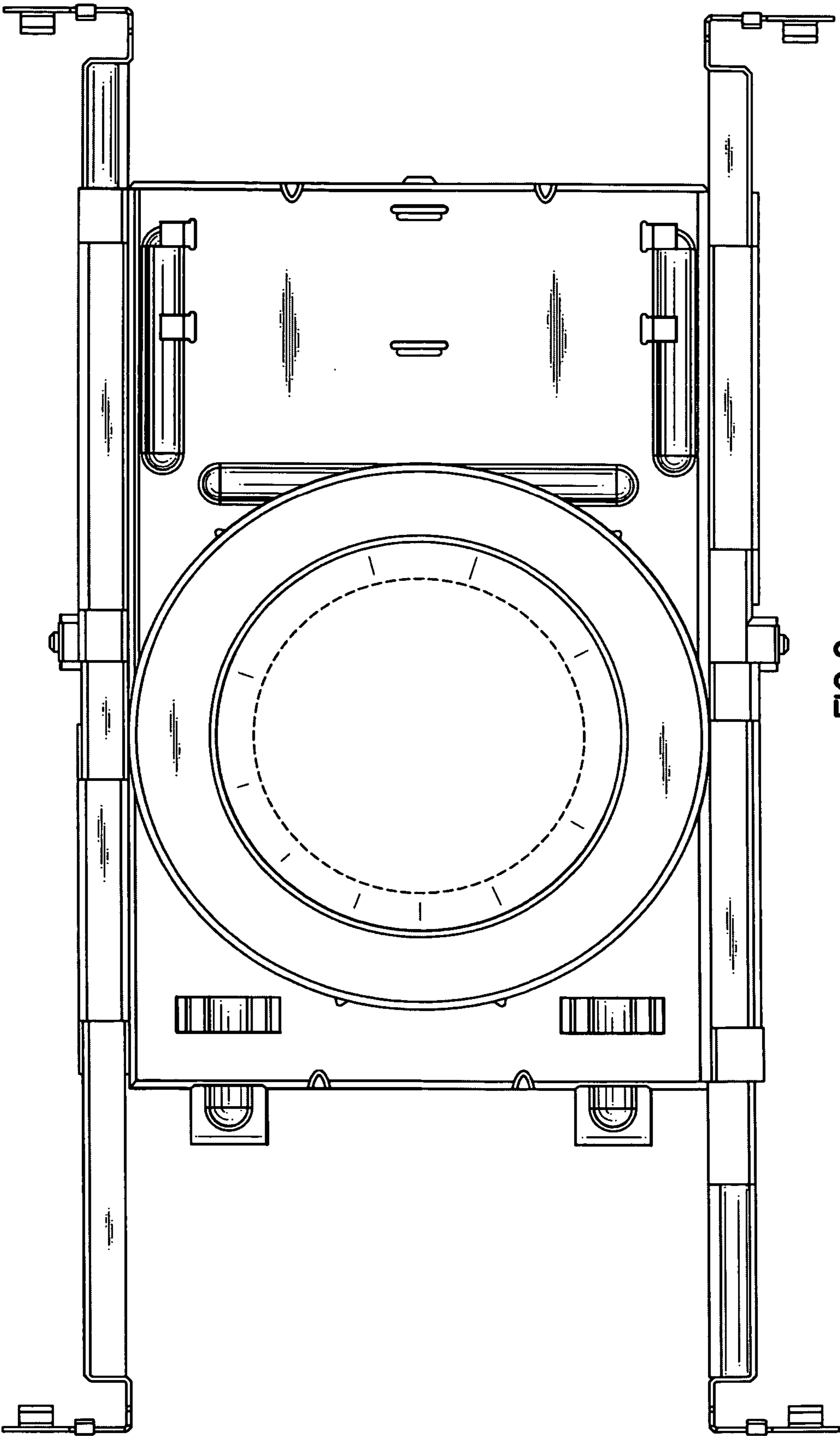
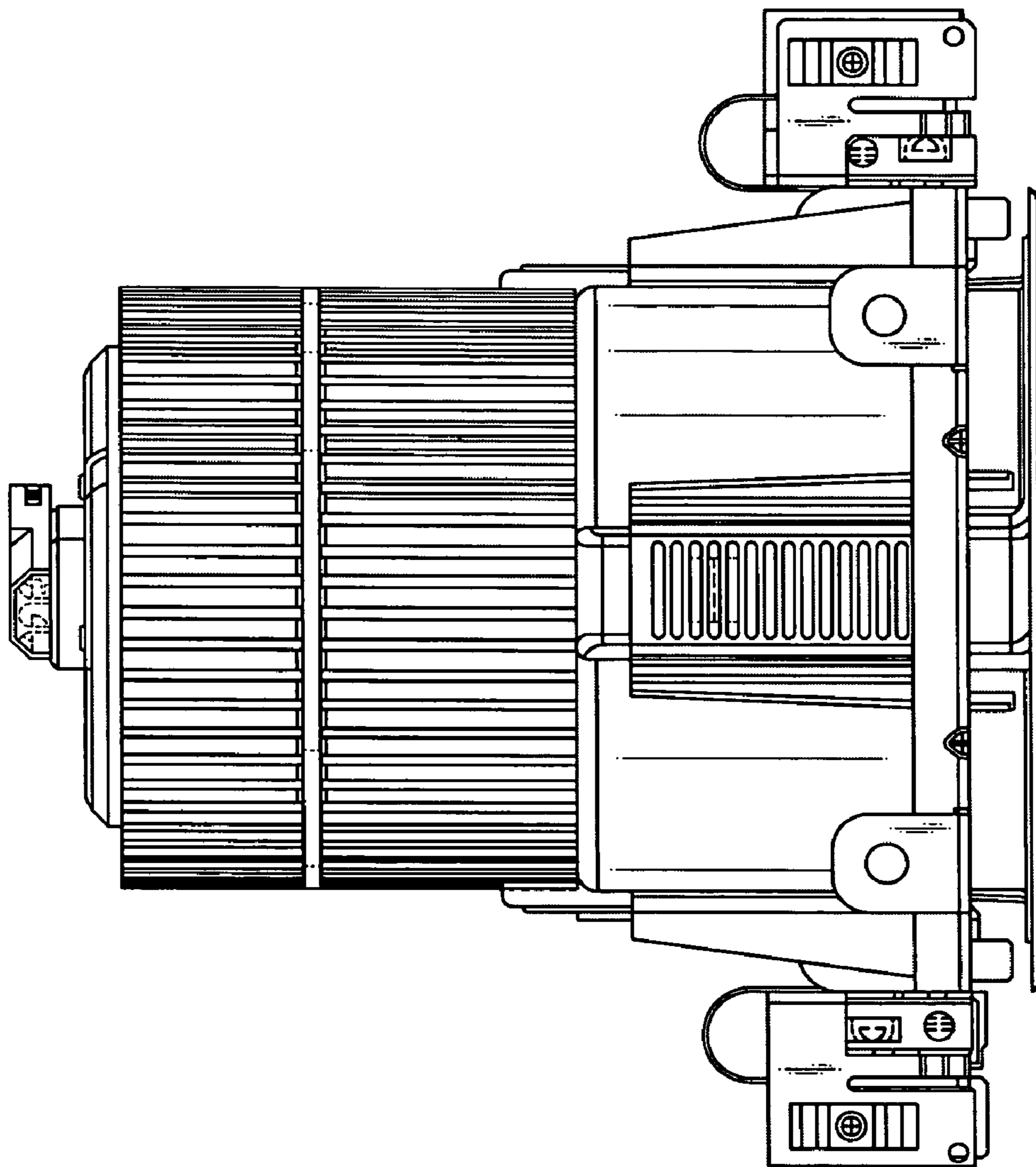


FIG. 2



**FIG. 3**

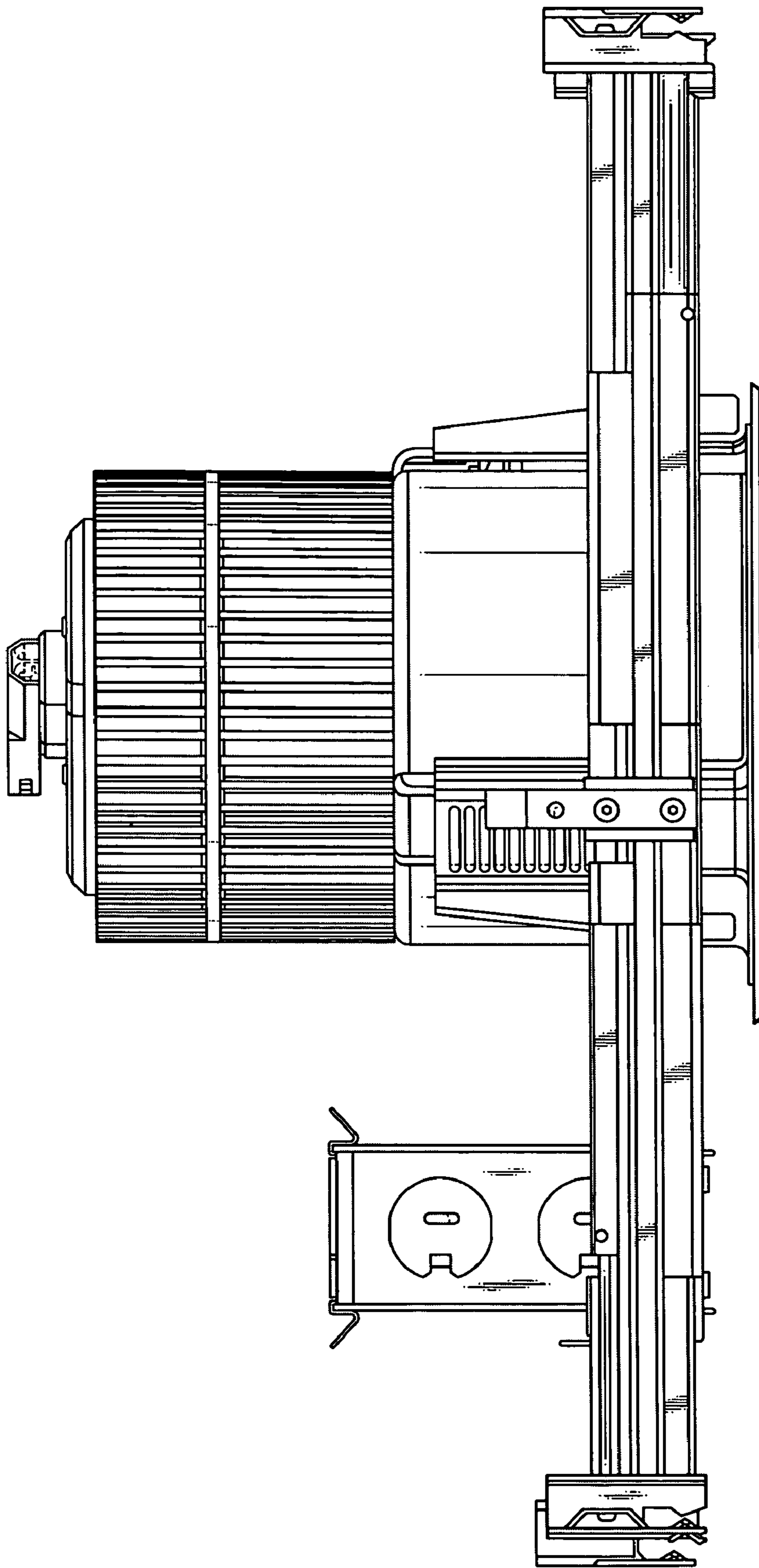
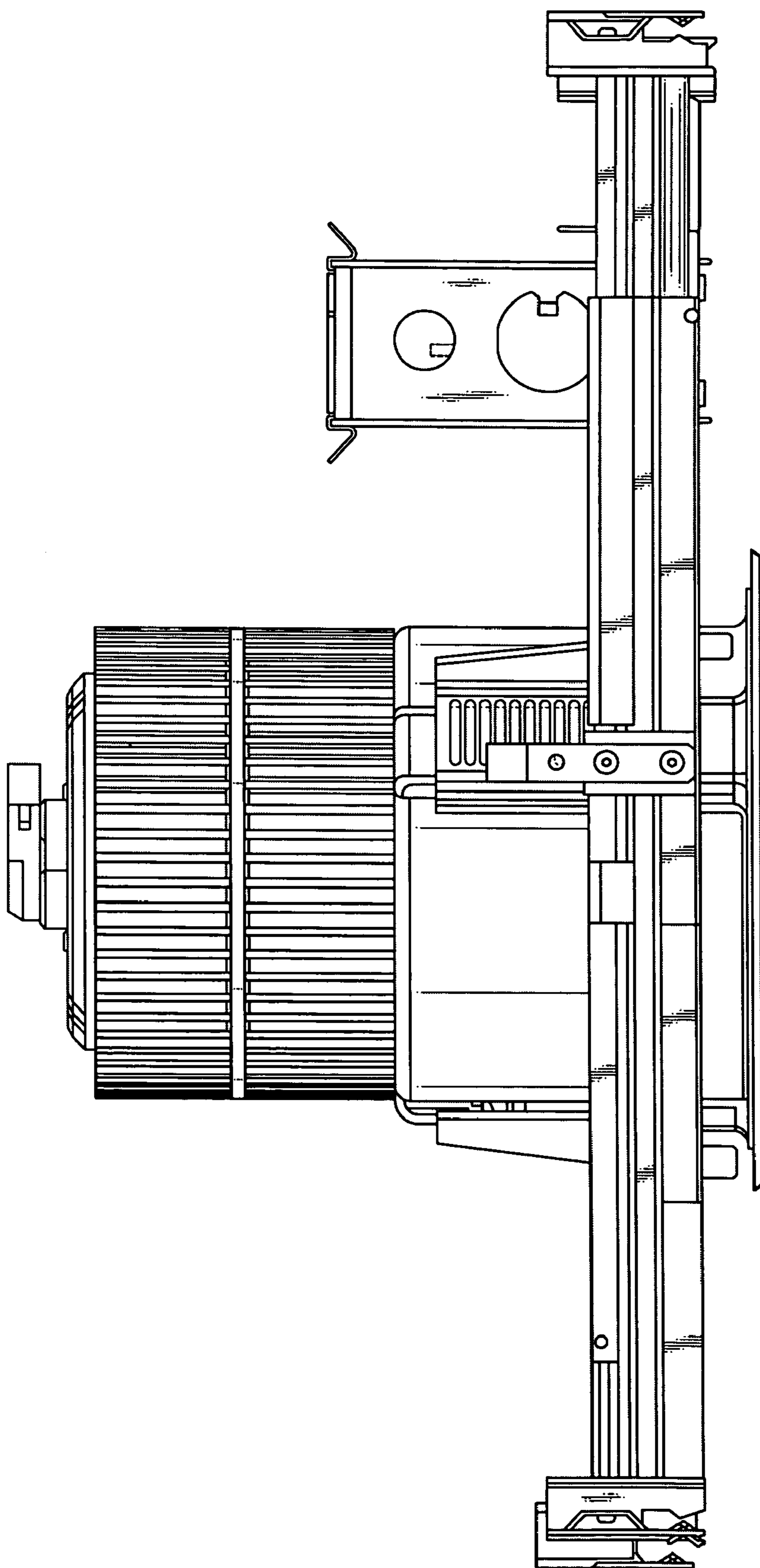


FIG. 4



**FIG. 5**

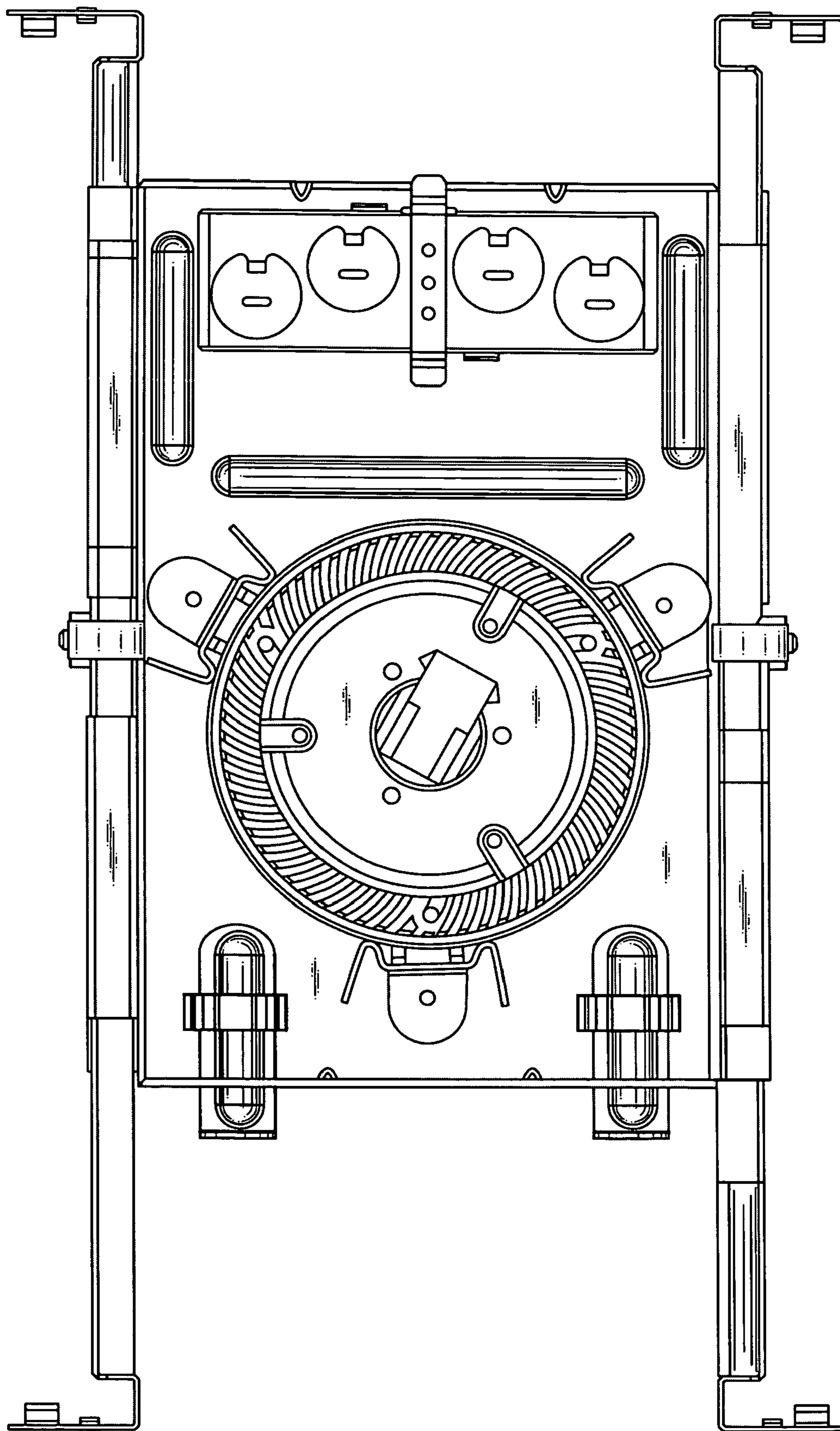


FIG. 6



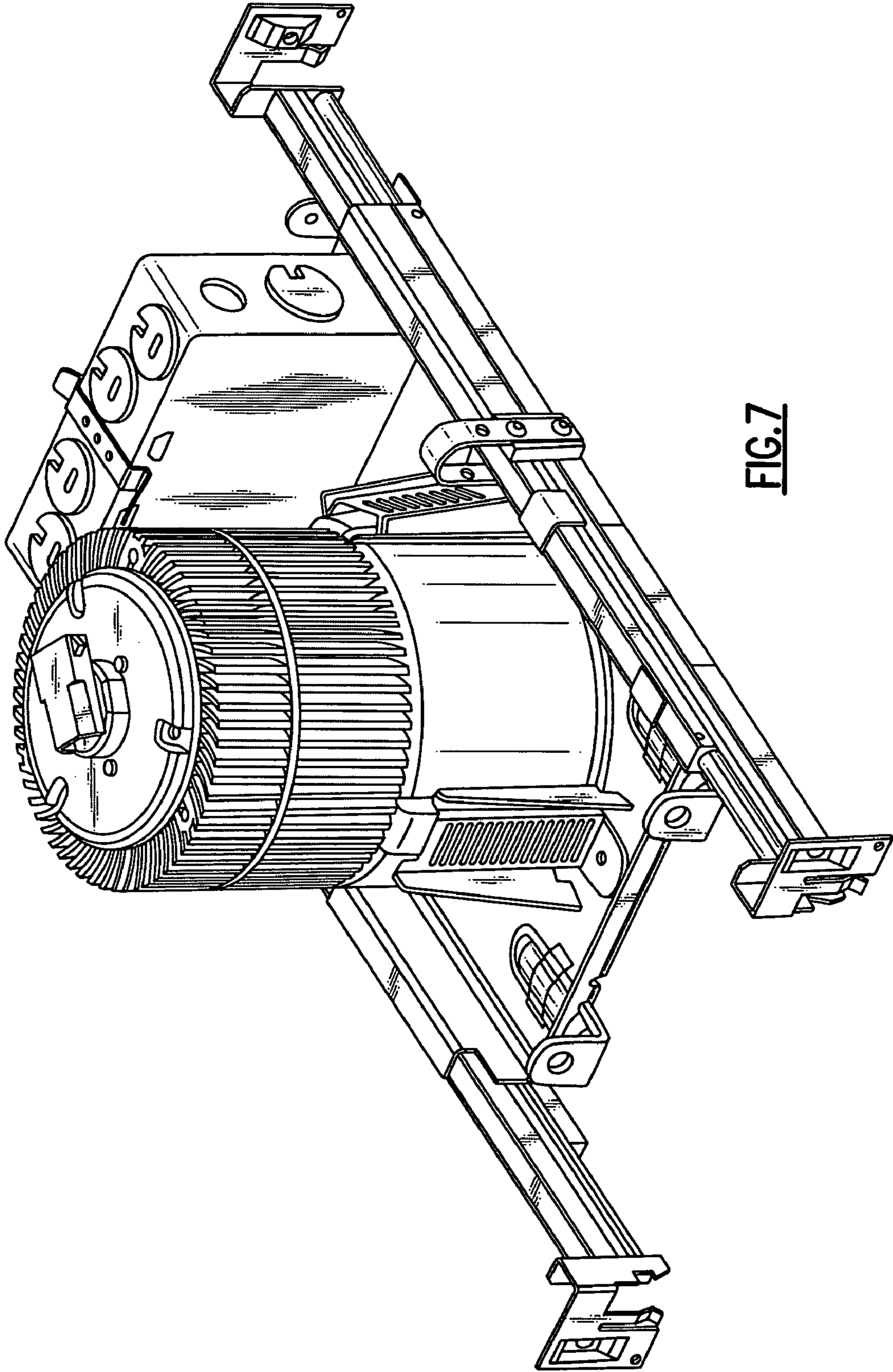
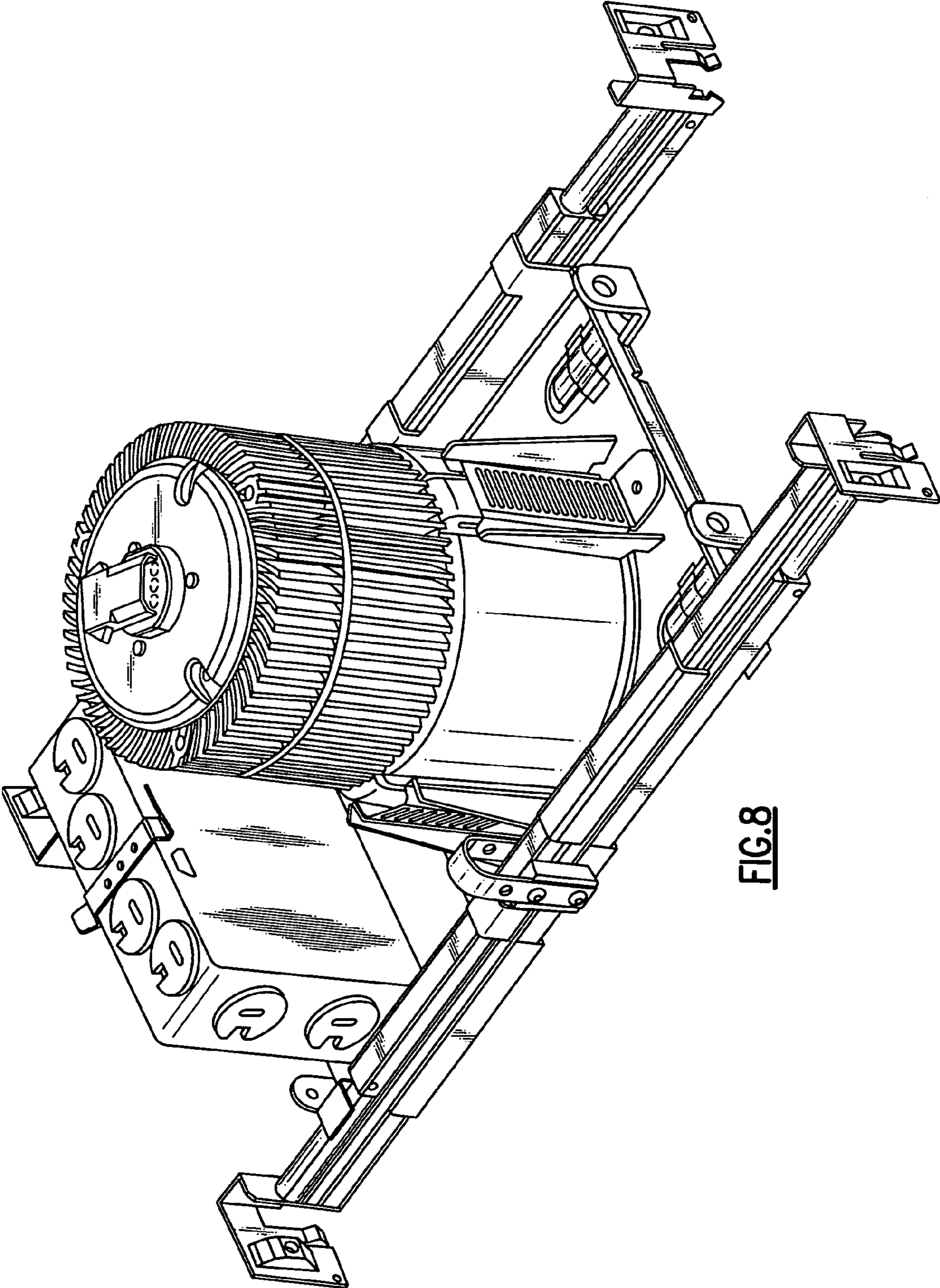


FIG. 7



**FIG. 8**

UNITED STATES PATENT AND TRADEMARK OFFICE  
**CERTIFICATE OF CORRECTION**

PATENT NO. : Des. 596,330 S  
APPLICATION NO. : 29/284294  
DATED : July 14, 2009  
INVENTOR(S) : Paul Kenneth Pickard and James Michael Lay

Page 1 of 1

It is certified that error appears in the above-identified patent and that said Letters Patent is hereby corrected as shown below:

Title page,

Item (56), References Cited, Other Publications:

*please change* "U.S. Appl. No. 29/279,355, filed Apr. 20, 2007, Chan et al." to  
--U.S. Appl. No. 29/279,355, filed Apr. 27, 2007, Chan et al.--

Signed and Sealed this

Sixth Day of October, 2009



David J. Kappos  
*Director of the United States Patent and Trademark Office*