



US00D596325S

(12) **United States Design Patent**  
**Barbour**

(10) **Patent No.:** **US D596,325 S**

(45) **Date of Patent:** **\*\* Jul. 14, 2009**

(54) **WRIST LIGHT**

(76) **Inventor:** **Bruce E. Barbour**, 41-37 52<sup>nd</sup> St., Apt. 3R, Woodside, NY (US) 11377

(\*\*) **Term:** **14 Years**

(21) **Appl. No.:** **29/325,614**

(22) **Filed:** **Oct. 3, 2008**

(51) **LOC (9) Cl.** ..... **26-02**

(52) **U.S. Cl.** ..... **D26/39**

(58) **Field of Classification Search** ..... D26/39,  
D26/37, 38, 46; 362/157, 158, 183, 184,  
362/194-196, 200, 201, 208

See application file for complete search history.

(56) **References Cited**

**U.S. PATENT DOCUMENTS**

4,173,201	A *	11/1979	Chao et al.	119/859
4,812,953	A *	3/1989	Ask et al.	362/103
D353,012	S *	11/1994	Mihavetz	D26/39
D361,143	S *	8/1995	Helvey	D26/39
5,448,458	A *	9/1995	Smyly, Jr.	362/570
6,213,619	B1 *	4/2001	Yu	362/103
6,550,930	B1 *	4/2003	Portouche	362/103
6,578,982	B1 *	6/2003	Lynch	362/104
D526,079	S *	8/2006	Heun	D26/60
2006/0198120	A1 *	9/2006	Guzman	362/103
2007/0147025	A1 *	6/2007	Shirey	362/103

\* cited by examiner

*Primary Examiner*—Ian Simmons

*Assistant Examiner*—Carissa C Fitts

(74) *Attorney, Agent, or Firm*—Notaro & Michalos P.C.

(57) **CLAIM**

The ornamental design for a wrist light, as shown and described.

**DESCRIPTION**

FIG. 1 is a perspective view of a wrist light showing my new design therefore;

FIG. 2 is a view similar to FIG. 1 of my design with the lights in a folded position;

FIG. 3 is a top plan view thereof;

FIG. 4 is a bottom plan view thereof;

FIG. 5 is a left side elevational view thereof;

FIG. 6 is a right side elevational view thereof;

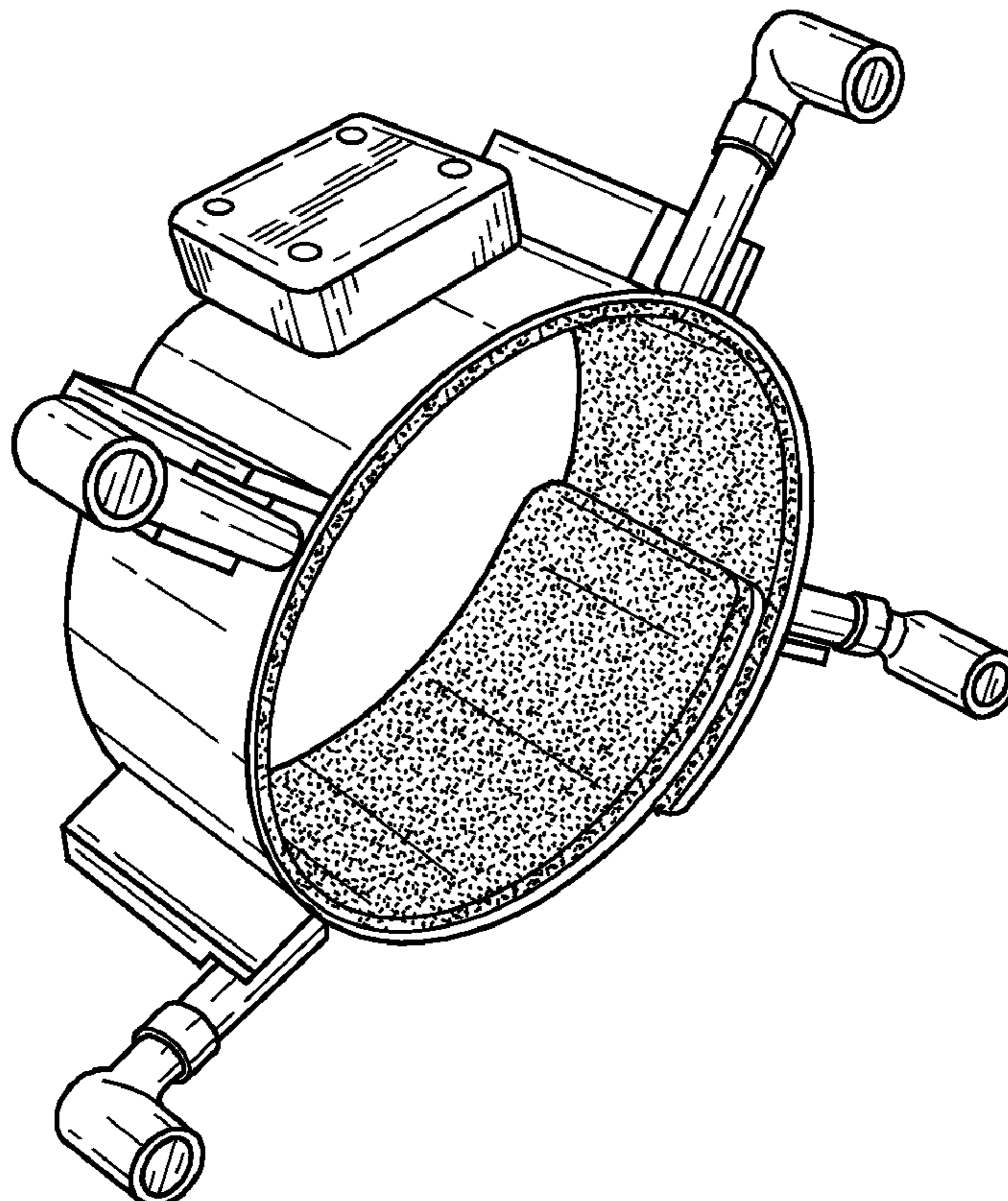
FIG. 7 is a front elevational view thereof;

FIG. 8 is a rear elevational view thereof;

FIG. 9 is a top plan view thereof in an open position for storage and shipping of my wrist light design; and,

FIG. 10 is a bottom plan view thereof in the open position.

**1 Claim, 5 Drawing Sheets**



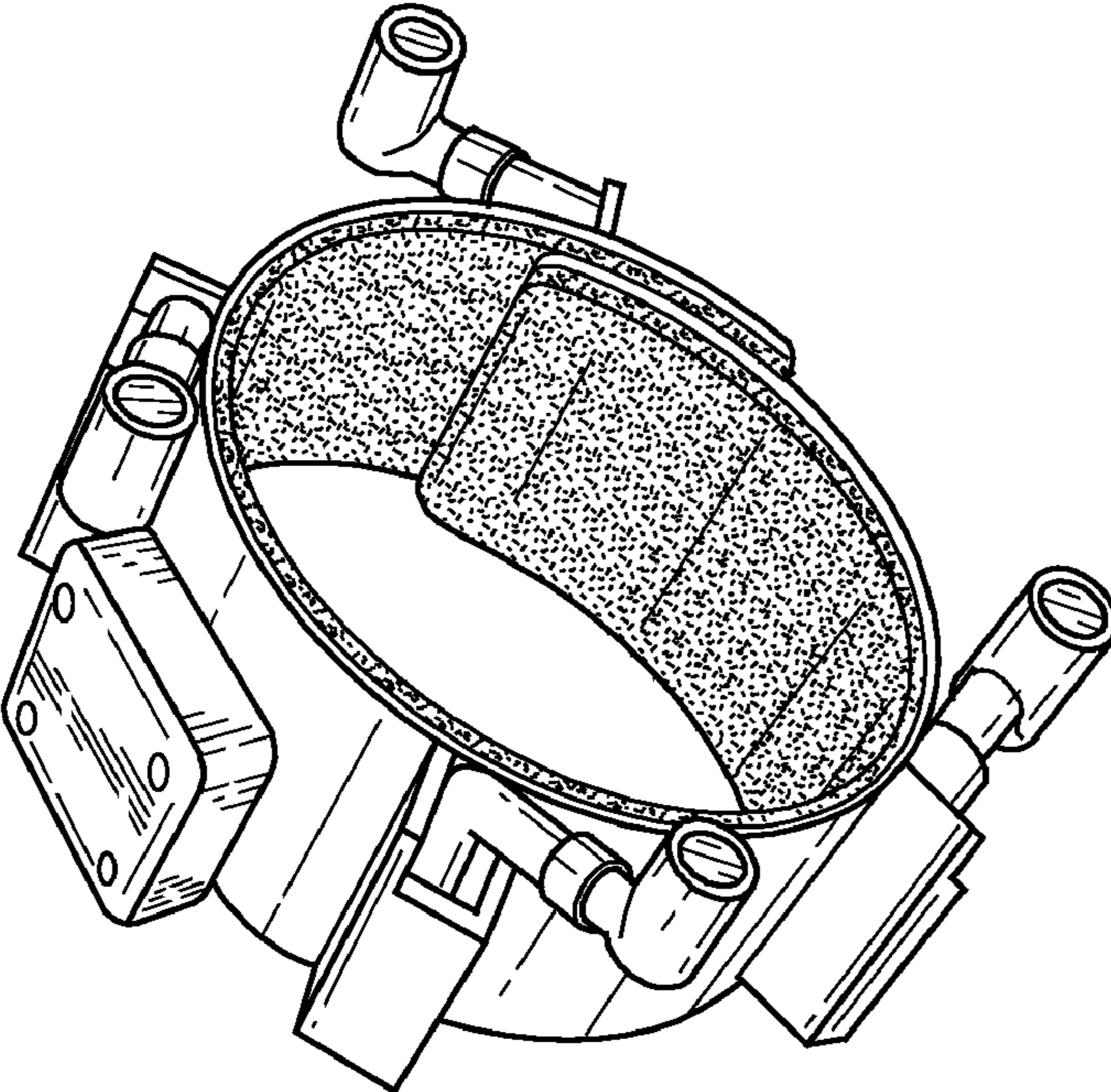


FIG. 2

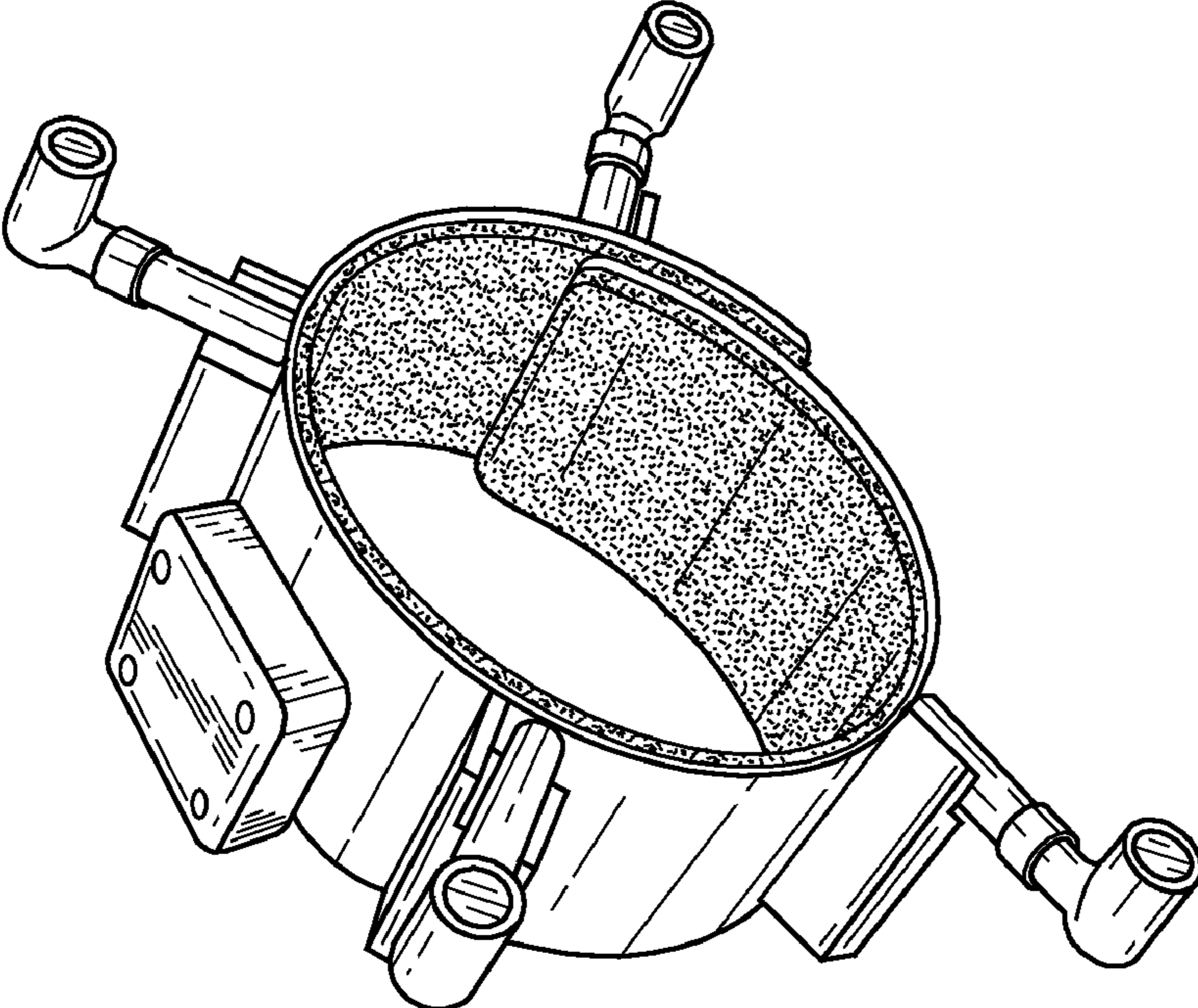


FIG. 1

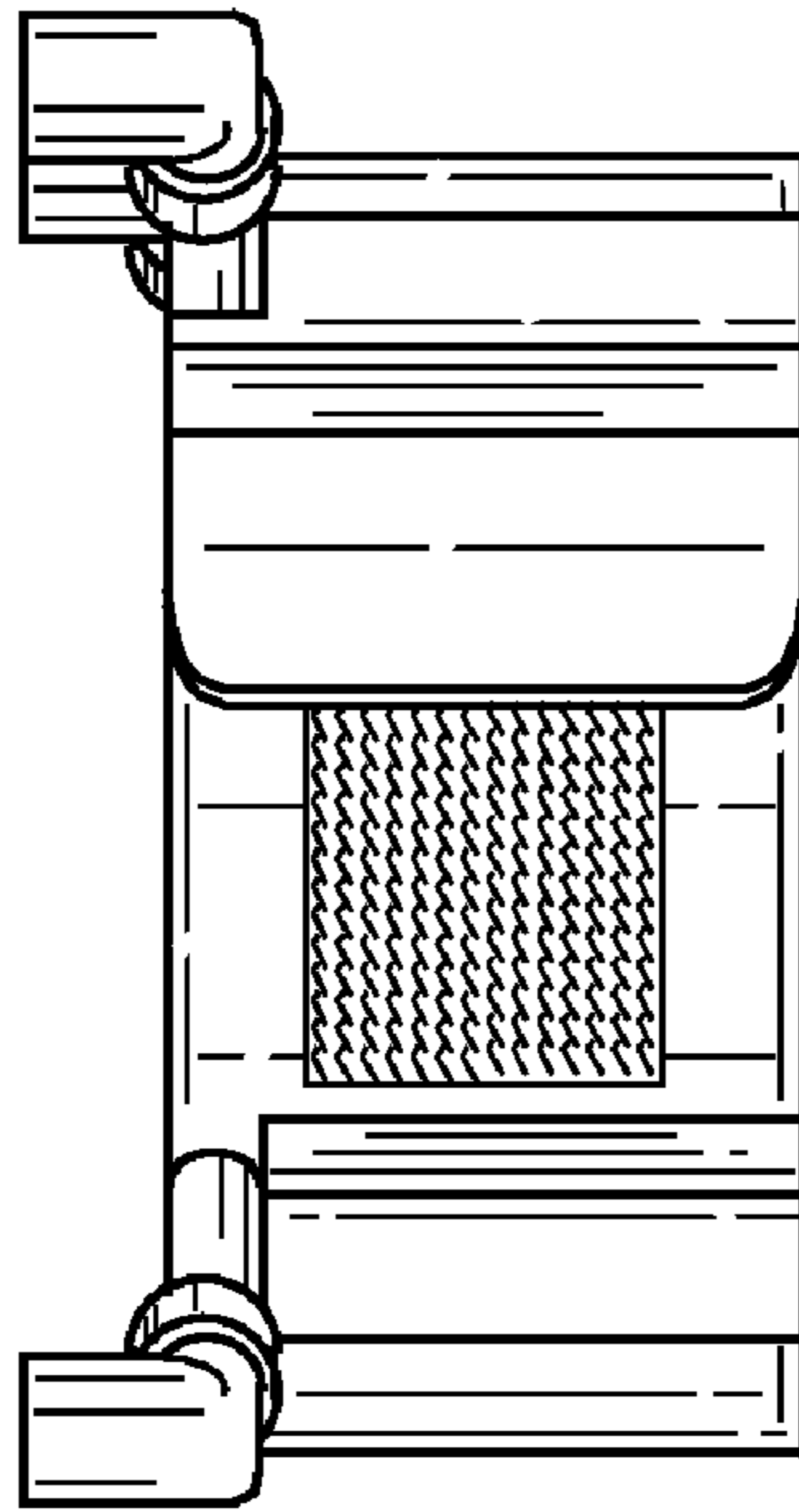


FIG. 4

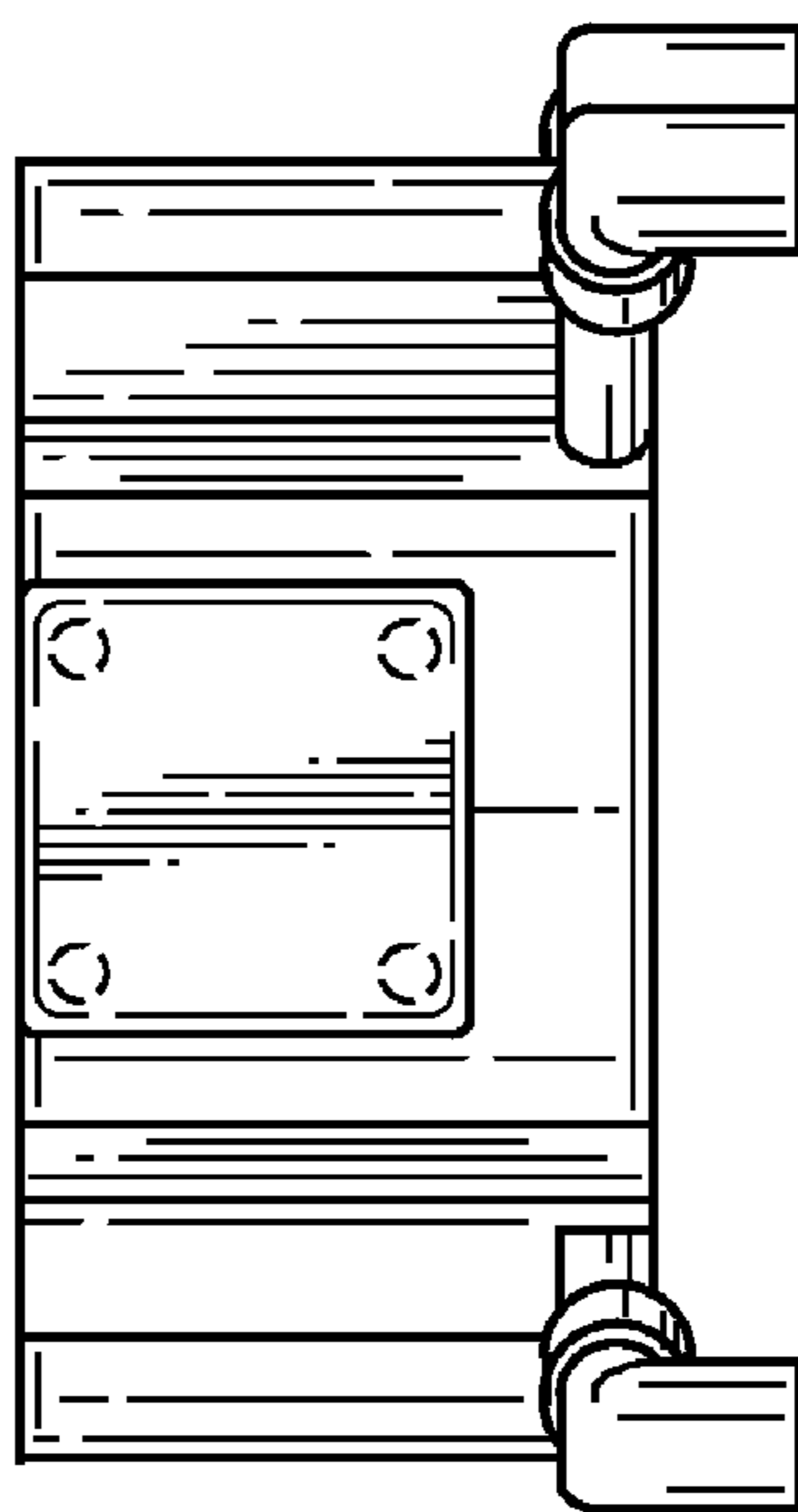


FIG. 3

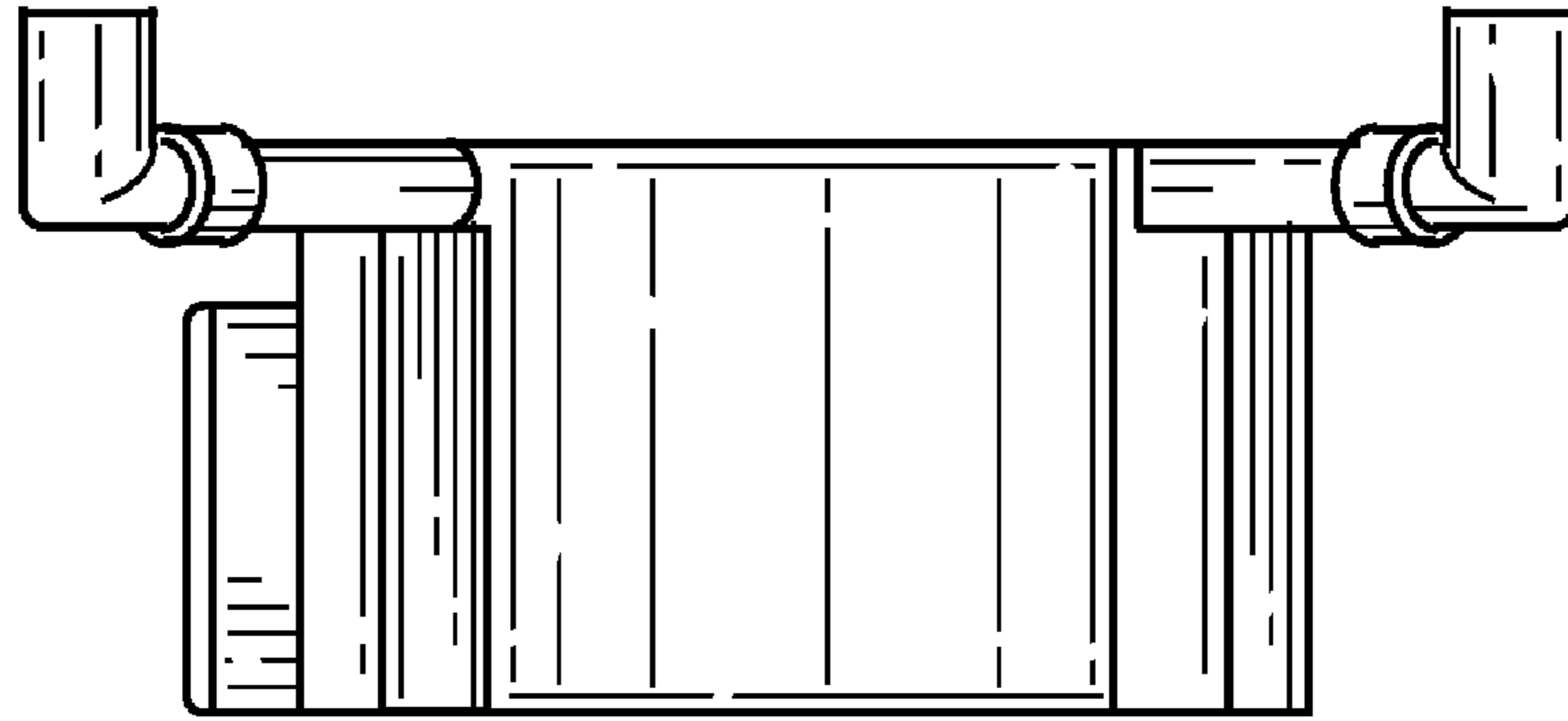


FIG. 6

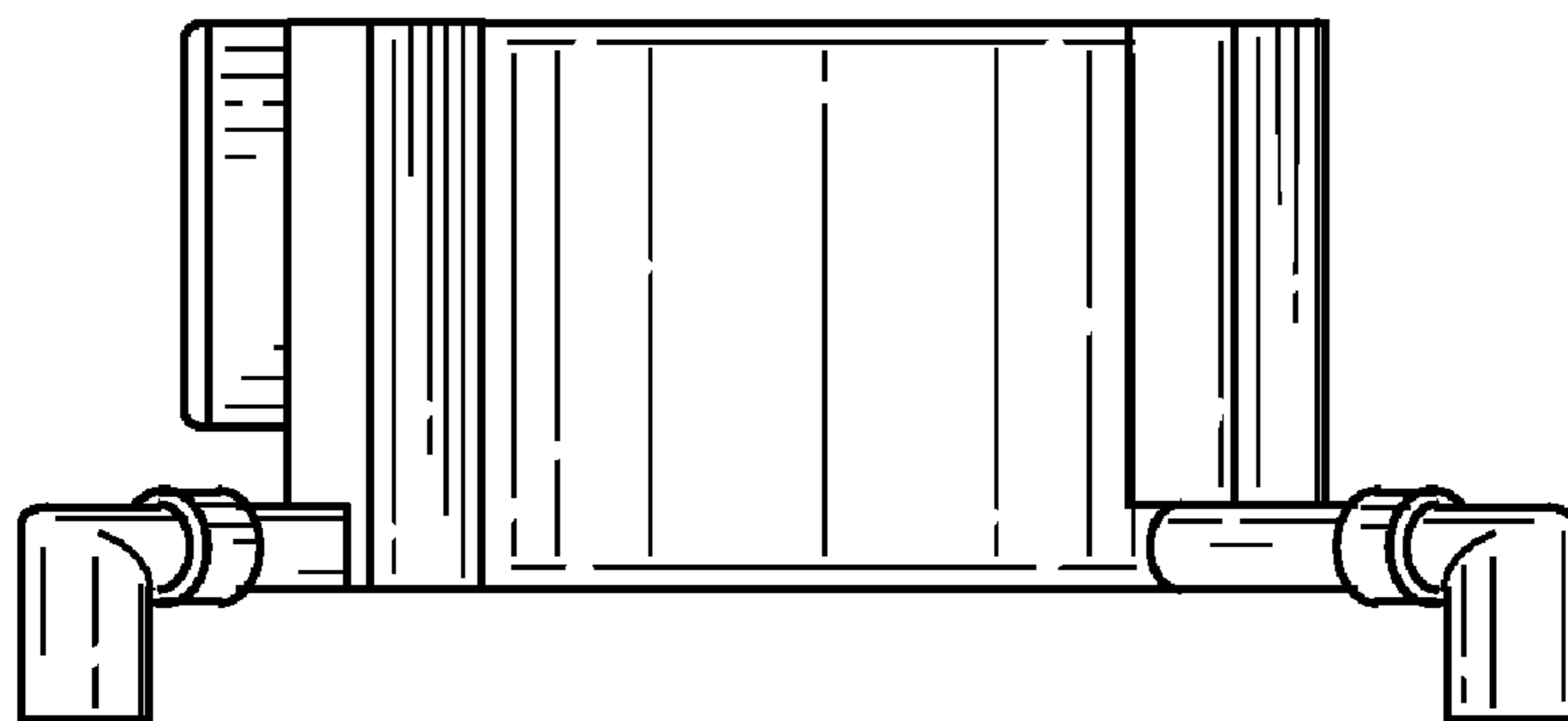


FIG. 5

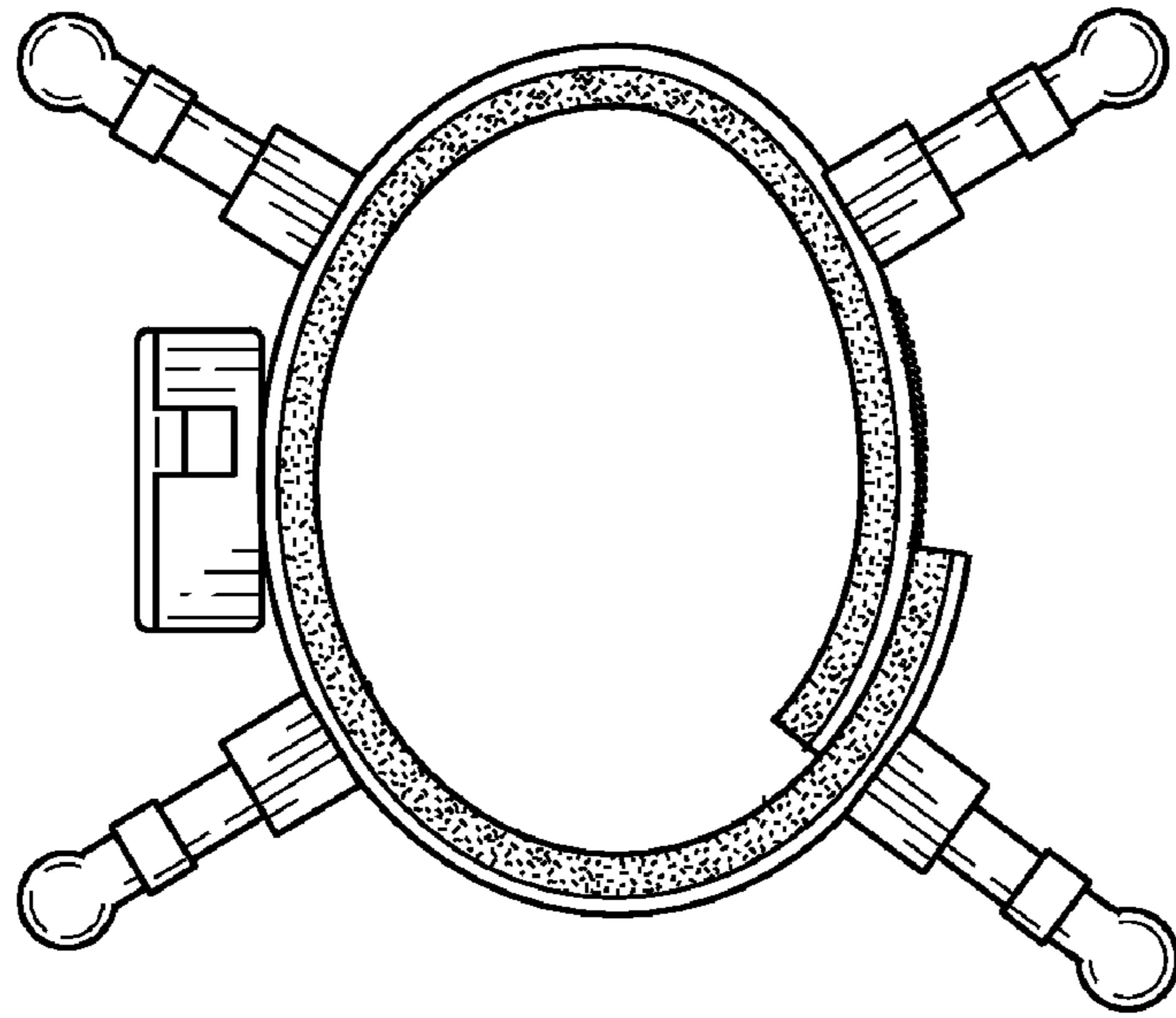


FIG. 8

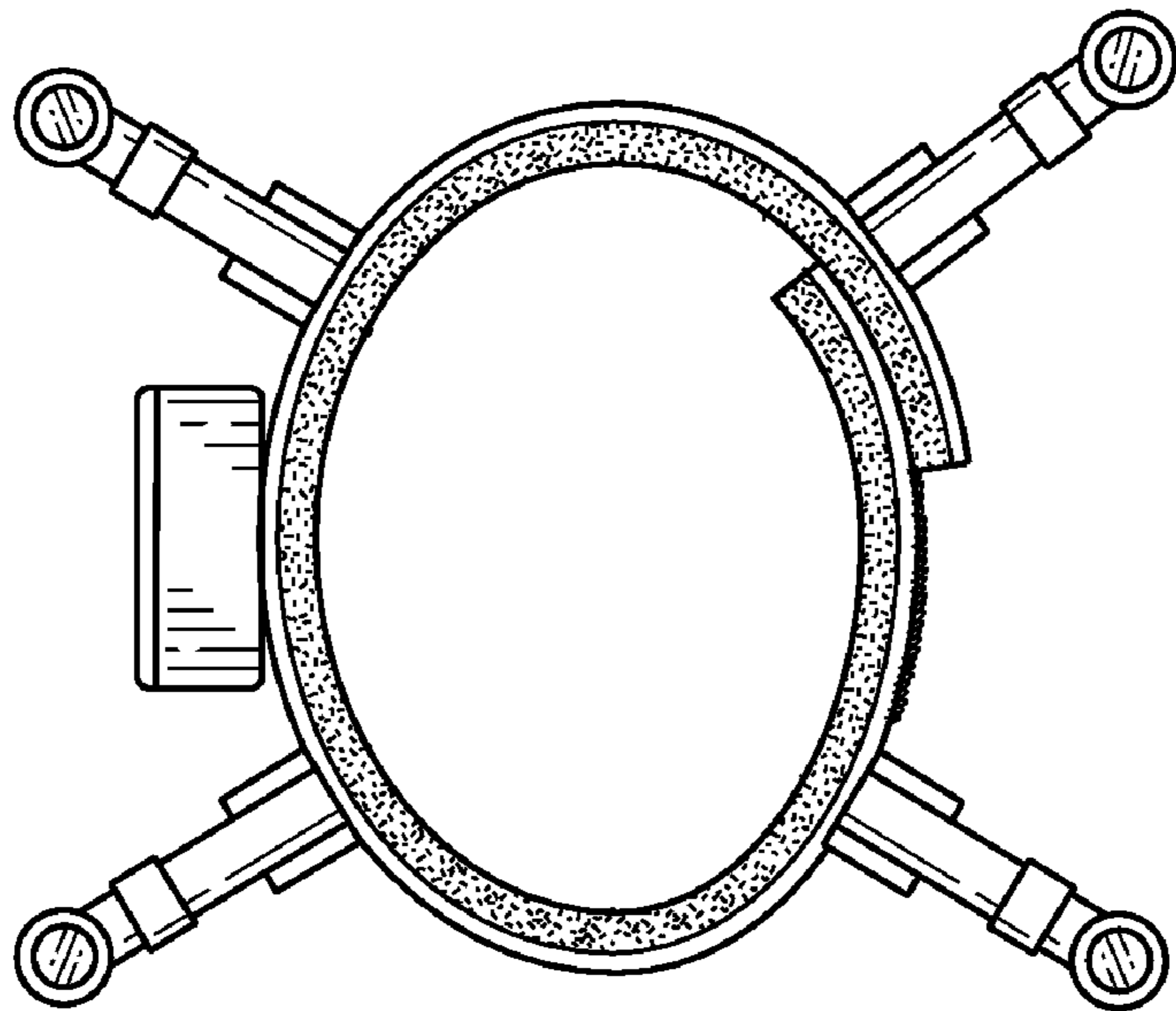


FIG. 7

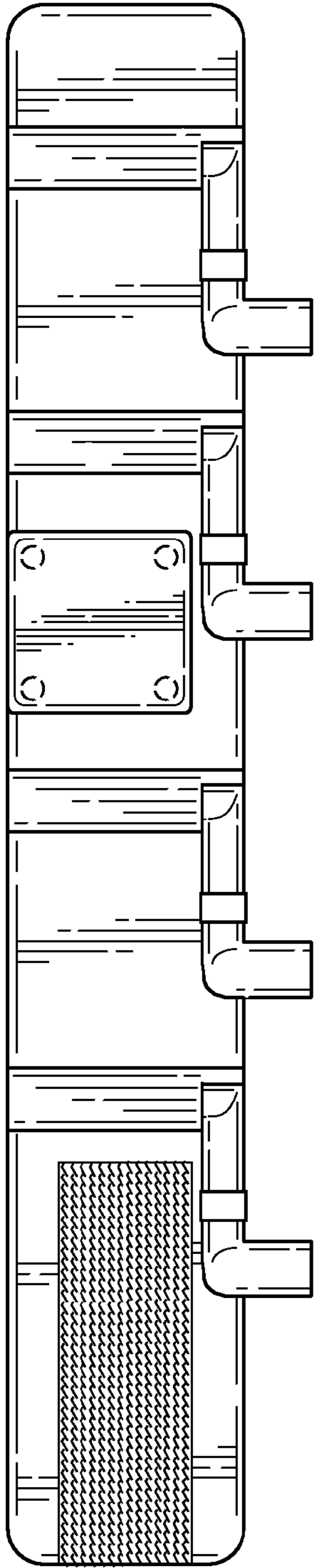


FIG. 9

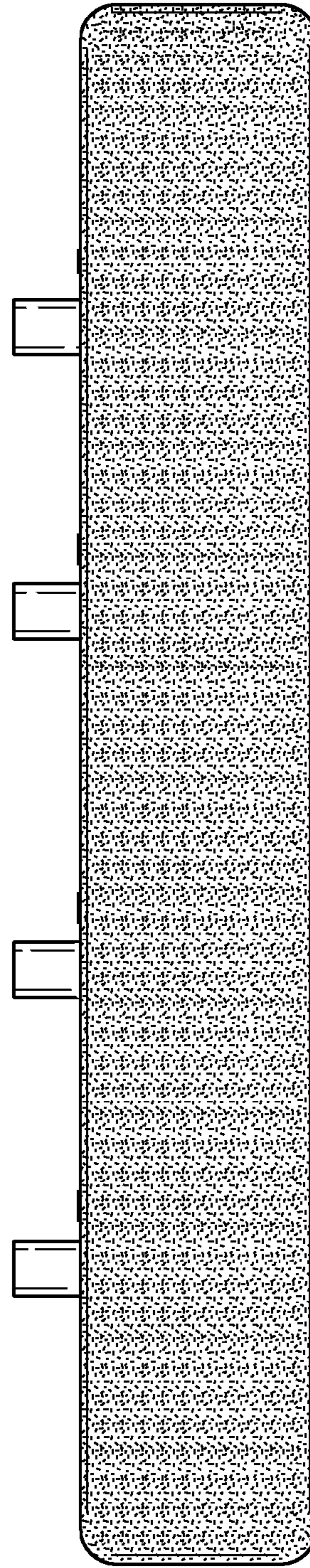


FIG. 10