

US00D596324S

(12) **United States Design Patent**
Canino et al.

(10) **Patent No.:** **US D596,324 S**

(45) **Date of Patent:** **** *Jul. 14, 2009**

(54) **FLASHLIGHT**

D565,215 S * 3/2008 Lee D26/37

(76) Inventors: **Serafino Sal Canino**, 596 Cardinal Cir.,
Torrington, CT (US) 06790; **Scott**
Gelormino, 192 Deer Run, Burlington,
CT (US) 06013

* cited by examiner

Primary Examiner—Marcus A. Jackson
(74) *Attorney, Agent, or Firm*—Thompson Hine LLP

(*) Notice: This patent is subject to a terminal dis-
claimer.

(57) **CLAIM**

The ornamental design for a flashlight, substantially as shown
and described.

(**) Term: **14 Years**

(21) Appl. No.: **29/285,836**

DESCRIPTION

(22) Filed: **Apr. 11, 2007**

FIG. 1 is a perspective view of the inventive flashlight;
FIG. 2 is a top plan view of the inventive flashlight;
FIG. 3 is a bottom plan view of the inventive flashlight;
FIG. 4 is a front elevational view of the inventive flashlight;
FIG. 5 is a rear view of the inventive flashlight;
FIG. 6 is a left side elevational view of the inventive flashlight;
FIG. 7 is a right side elevational view of the inventive flash-
light; and,
FIG. 8 illustrates a perspective view, from the bottom, of the
inventive flashlight with the crank handle in the position for
charging.

(51) **LOC (9) Cl.** **26-02**

(52) **U.S. Cl.** **D26/37**

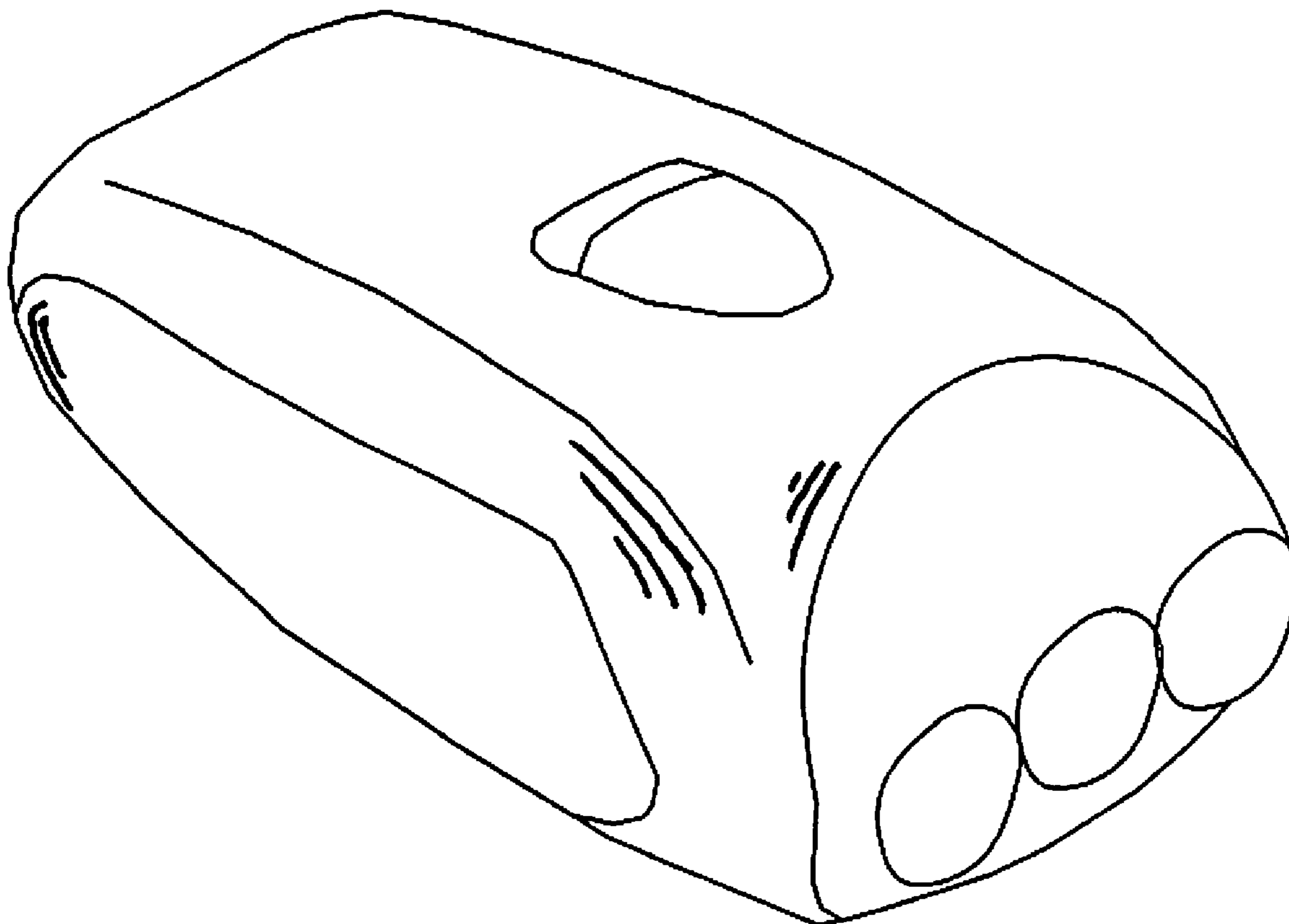
(58) **Field of Classification Search** D26/37-50;
362/157, 158, 171-174, 183-208
See application file for complete search history.

(56) **References Cited**

U.S. PATENT DOCUMENTS

- D550,153 S * 9/2007 Lee D13/108
- D557,841 S * 12/2007 Lee D26/37
- D560,296 S * 1/2008 Lee D26/37
- D565,214 S * 3/2008 Lee D26/37

1 Claim, 7 Drawing Sheets



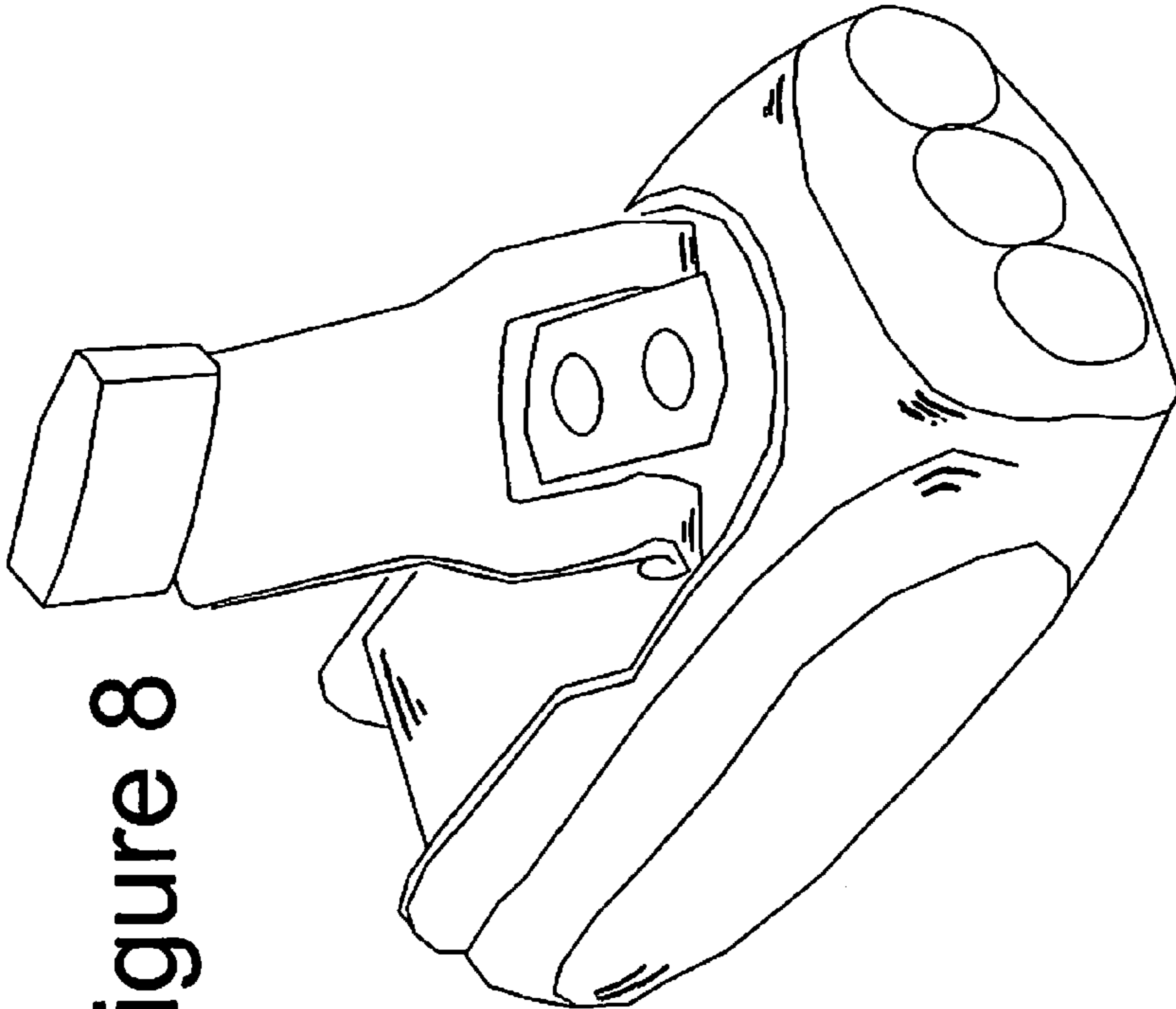


Figure 8

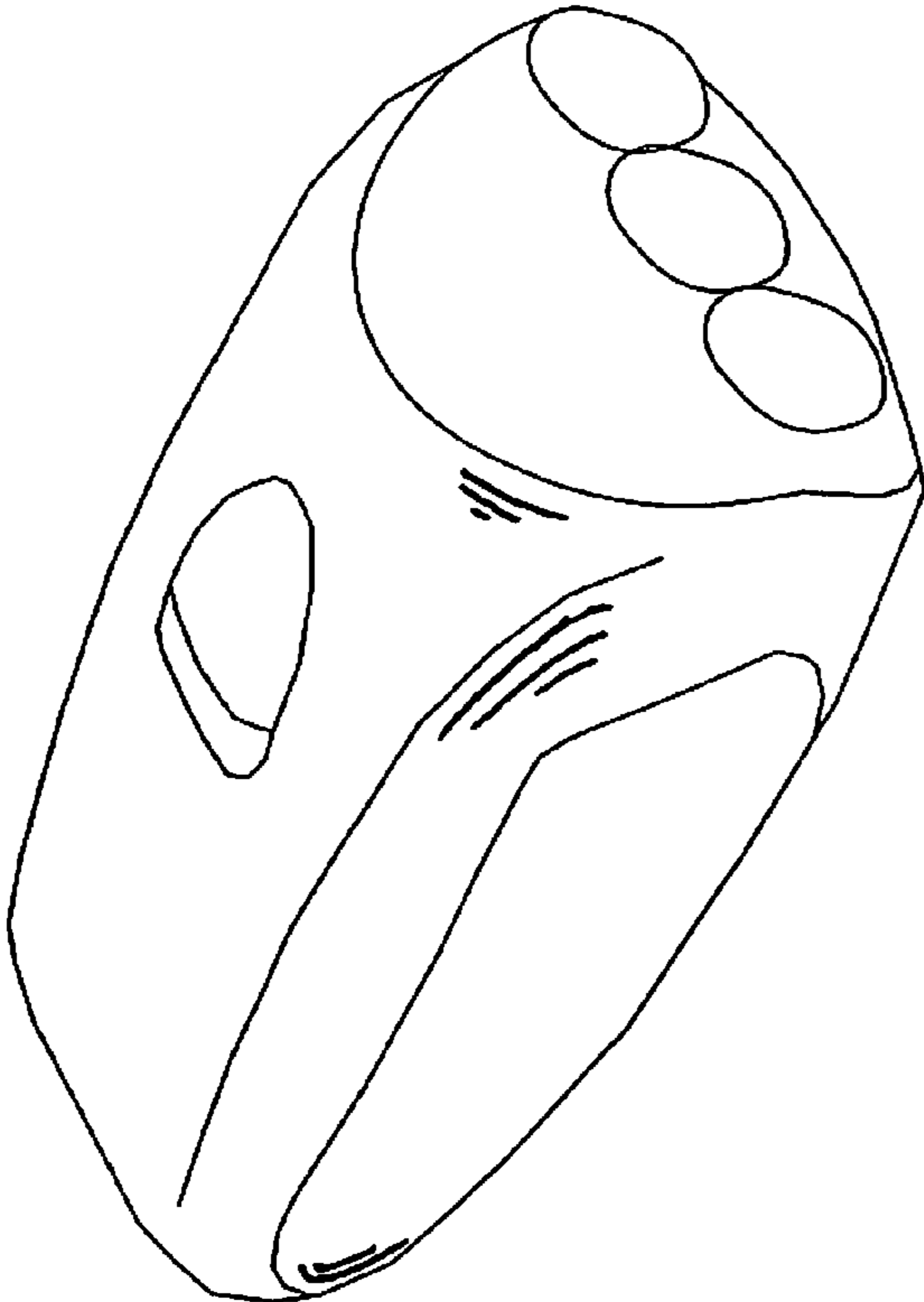


Figure 1

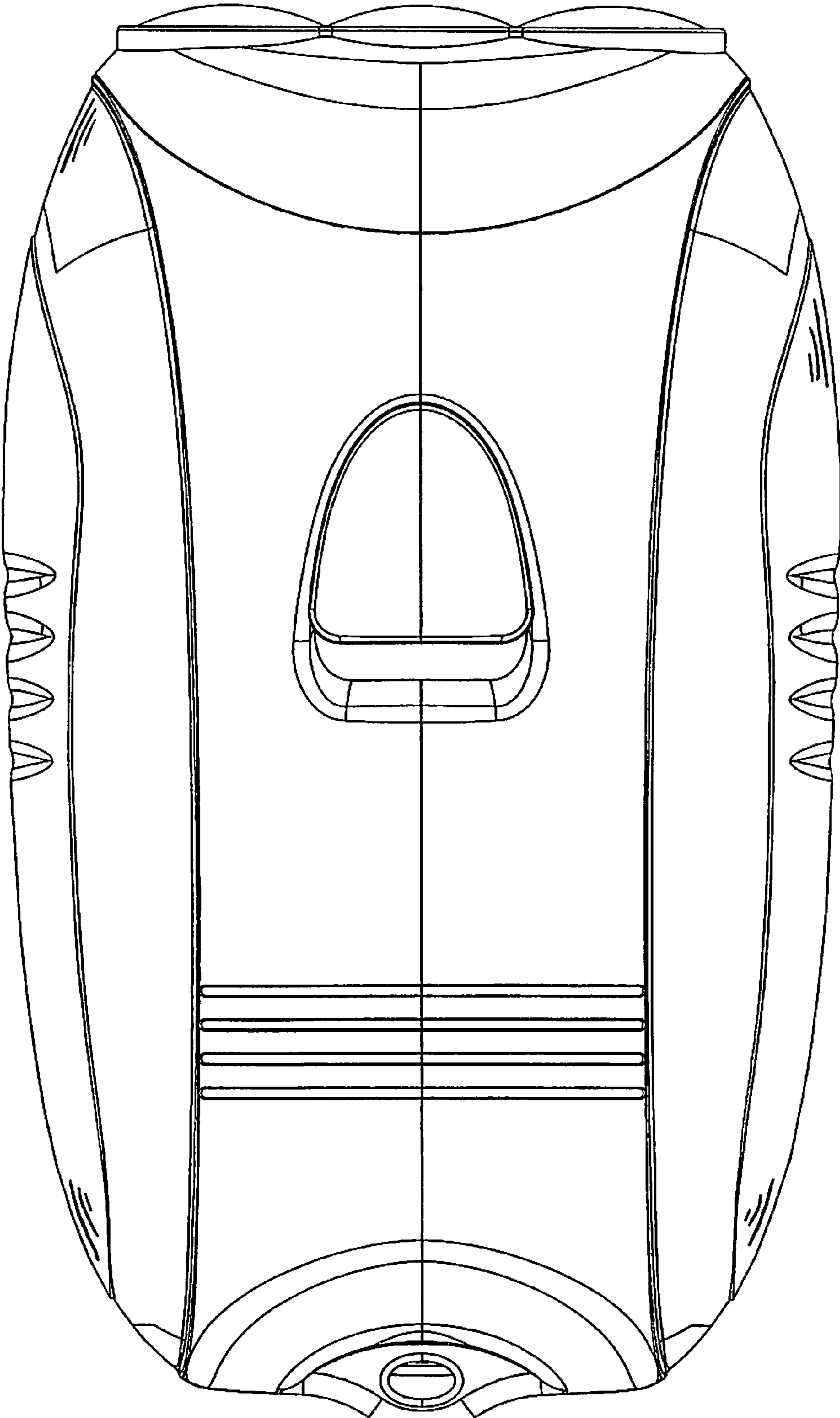


Fig 2

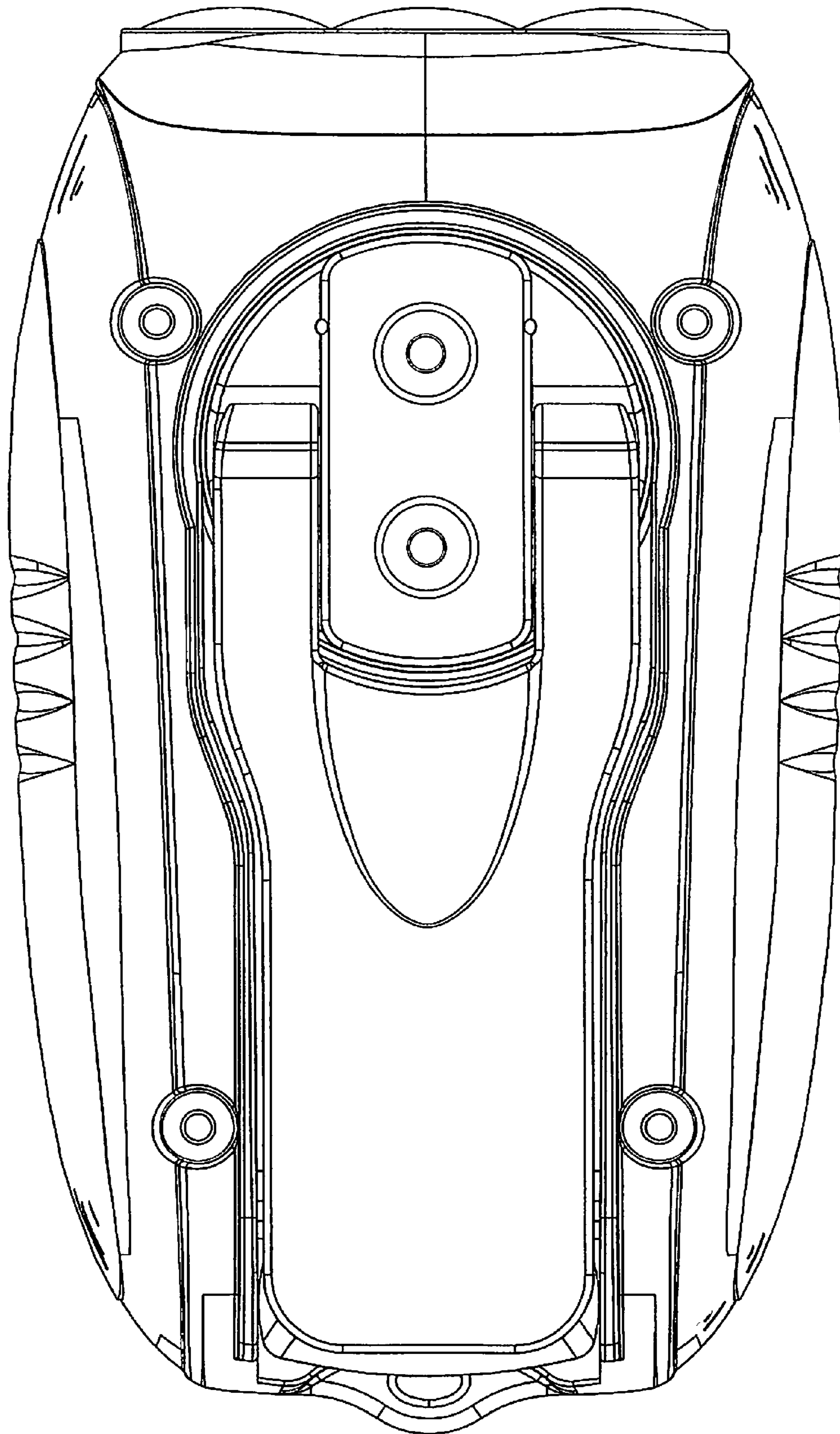


FIG. 3

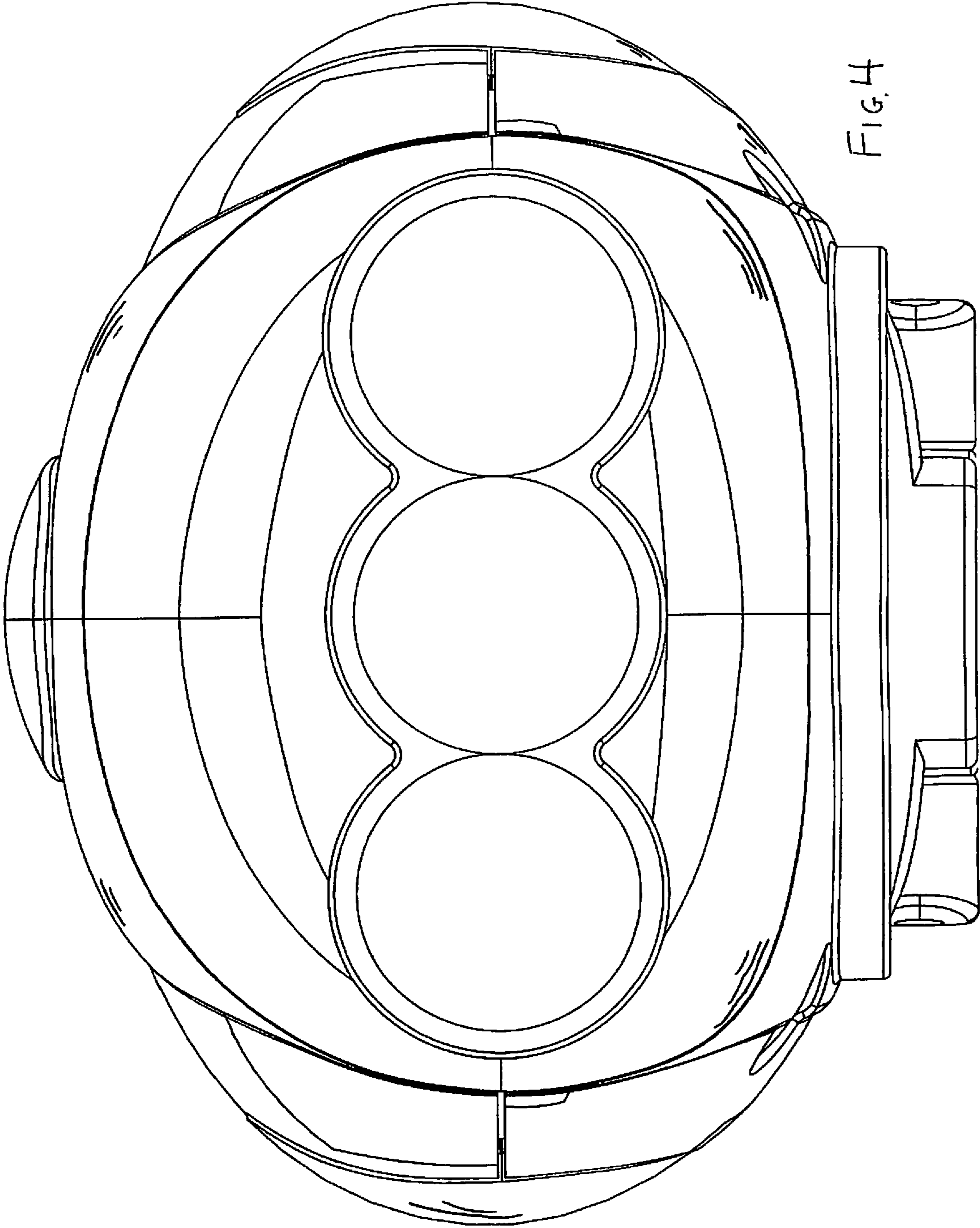


FIG. 4

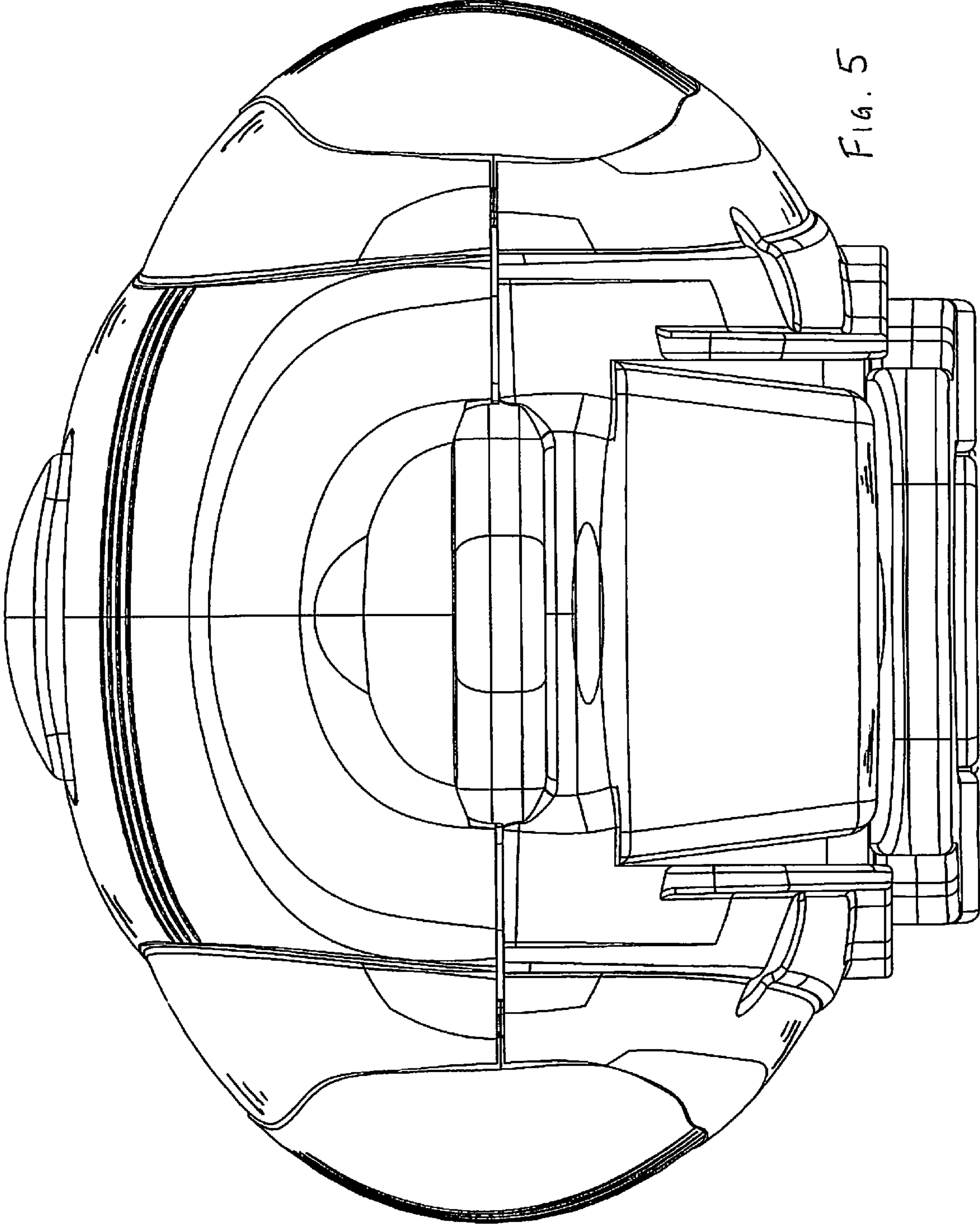
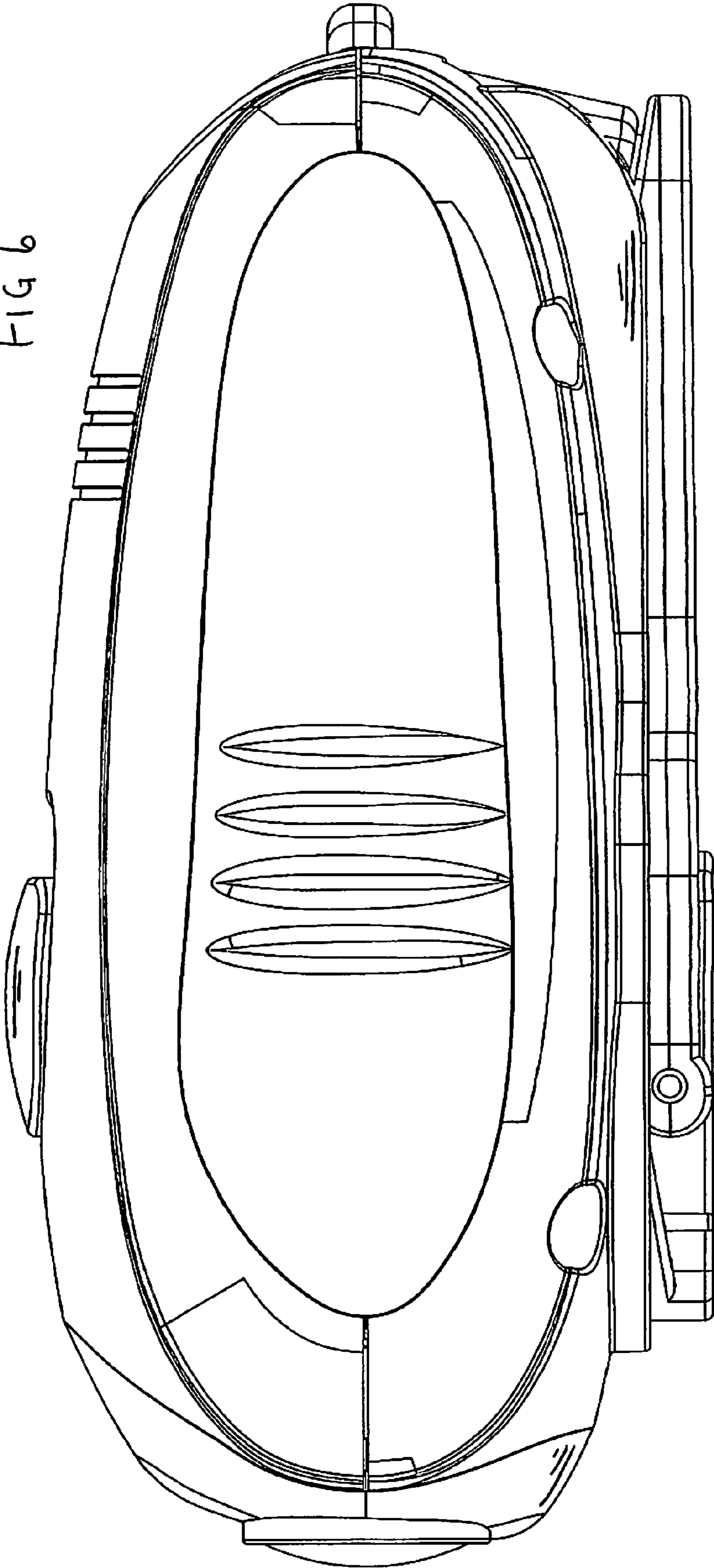


Fig. 5

FIG 6



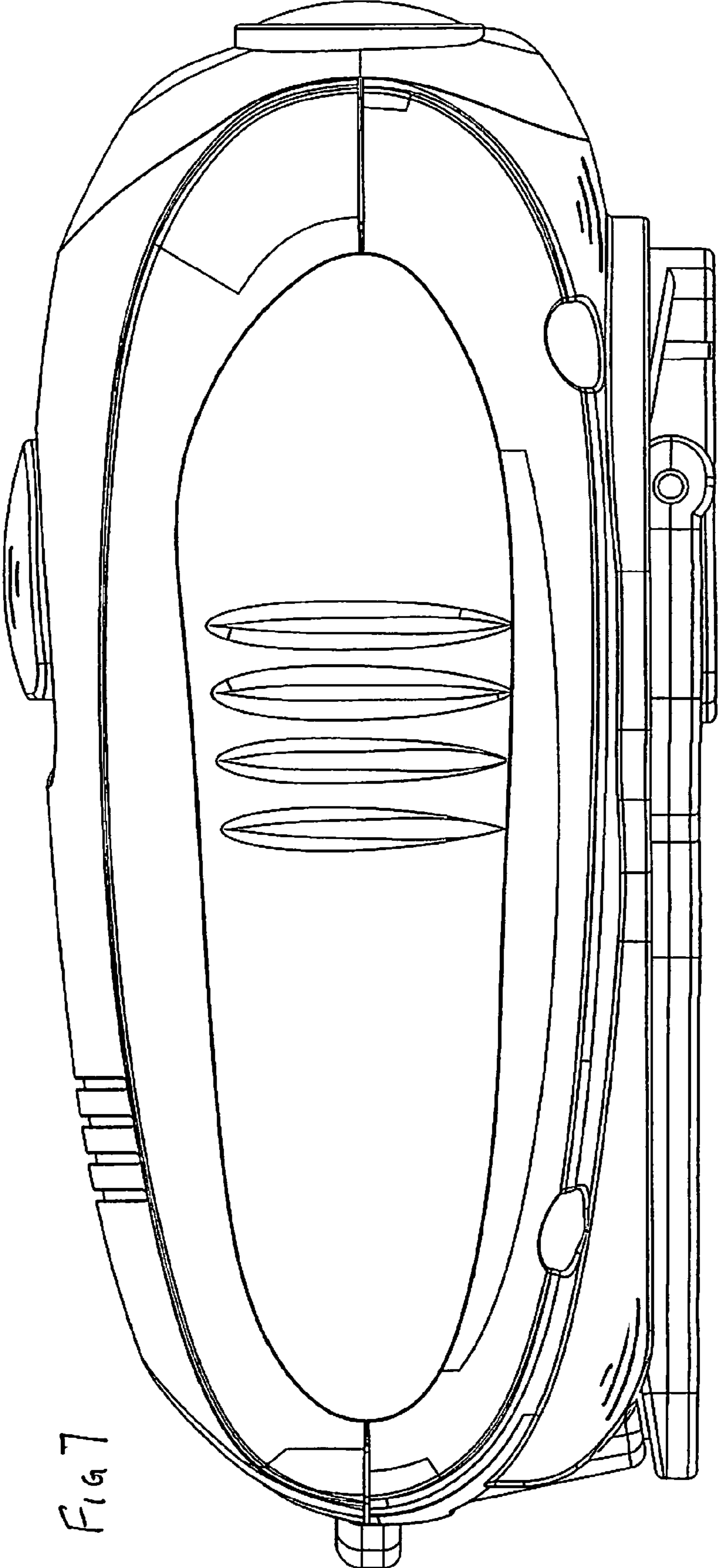


Fig 7