

US00D596323S

(12) **United States Design Patent**  
**Ishizuka et al.**

(10) **Patent No.:** **US D596,323 S**  
(45) **Date of Patent:** **\*\* Jul. 14, 2009**

(54) **REAR COMBINATION LAMP FOR VEHICLE**

(75) Inventors: **Kouichi Ishizuka**, Paris (FR); **Kazuki Yamazaki**, Fujisawa (JP); **Matthew Weaver**, London (GB); **Bert Dehaes**, Twyford (GB)

(73) Assignee: **Nissan Motor Co., Ltd.**, Yokohama-shi (JP)

(\*\*) Term: **14 Years**

(21) Appl. No.: **29/327,113**

(22) Filed: **Oct. 30, 2008**

(30) **Foreign Application Priority Data**

May 19, 2008 (JP) ..... D2008-012354

(51) **LOC (9) Cl.** ..... **26-06**

(52) **U.S. Cl.** ..... **D26/28**

(58) **Field of Classification Search** ..... D26/28-36;  
362/459-468, 475-478, 485-487

See application file for complete search history.

(56) **References Cited**

**U.S. PATENT DOCUMENTS**

D549,363 S \* 8/2007 Pfeiffer ..... D26/28

D552,769 S \* 10/2007 Leclercq ..... D26/28  
D553,268 S \* 10/2007 Pfeiffer ..... D26/28  
D553,269 S \* 10/2007 Pfeiffer et al. .... D26/29

\* cited by examiner

*Primary Examiner*—Marcus A. Jackson

(74) *Attorney, Agent, or Firm*—Foley & Lardner LLP

(57) **CLAIM**

The ornamental design for a rear combination lamp for vehicle, as shown and described.

**DESCRIPTION**

FIG. 1 is a perspective view of a rear combination lamp for vehicle;

FIG. 2 is a front view thereof;

FIG. 3 is a rear view thereof;

FIG. 4 is a top plan view thereof;

FIG. 5 is a bottom plan view thereof;

FIG. 6 is a left side view thereof; and,

FIG. 7 is a right side view thereof.

**1 Claim, 4 Drawing Sheets**

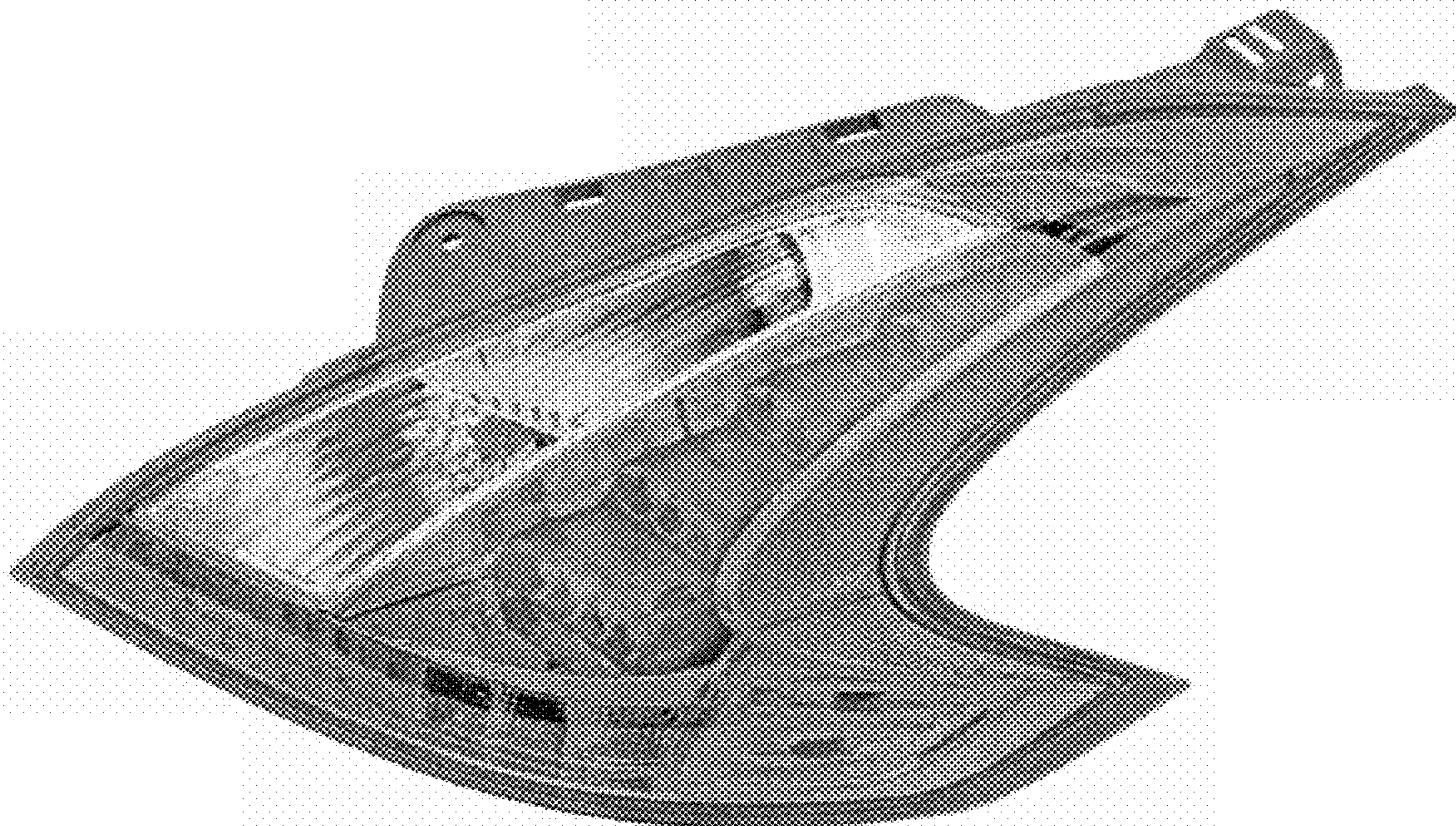


Fig.1

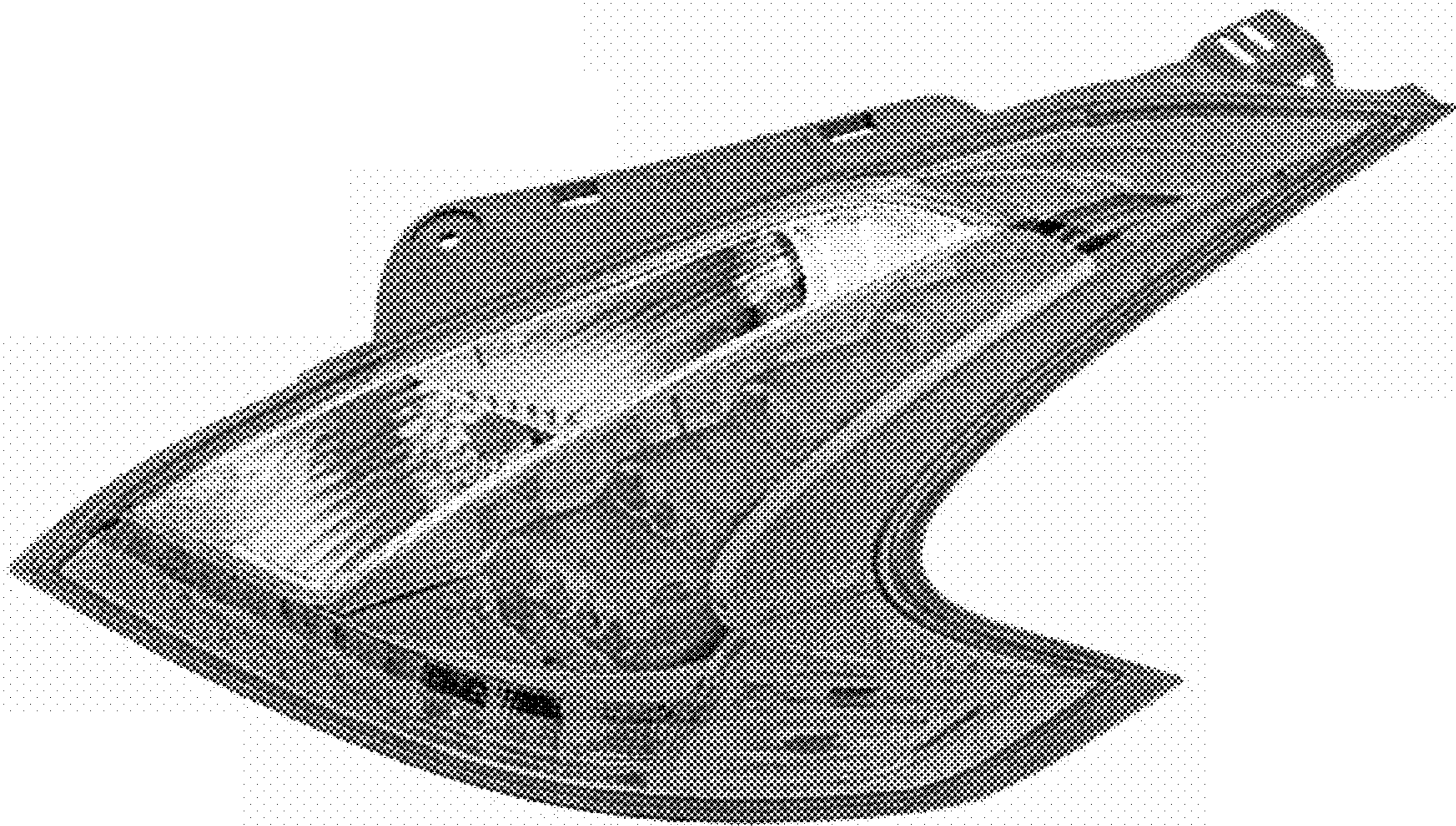


Fig.2

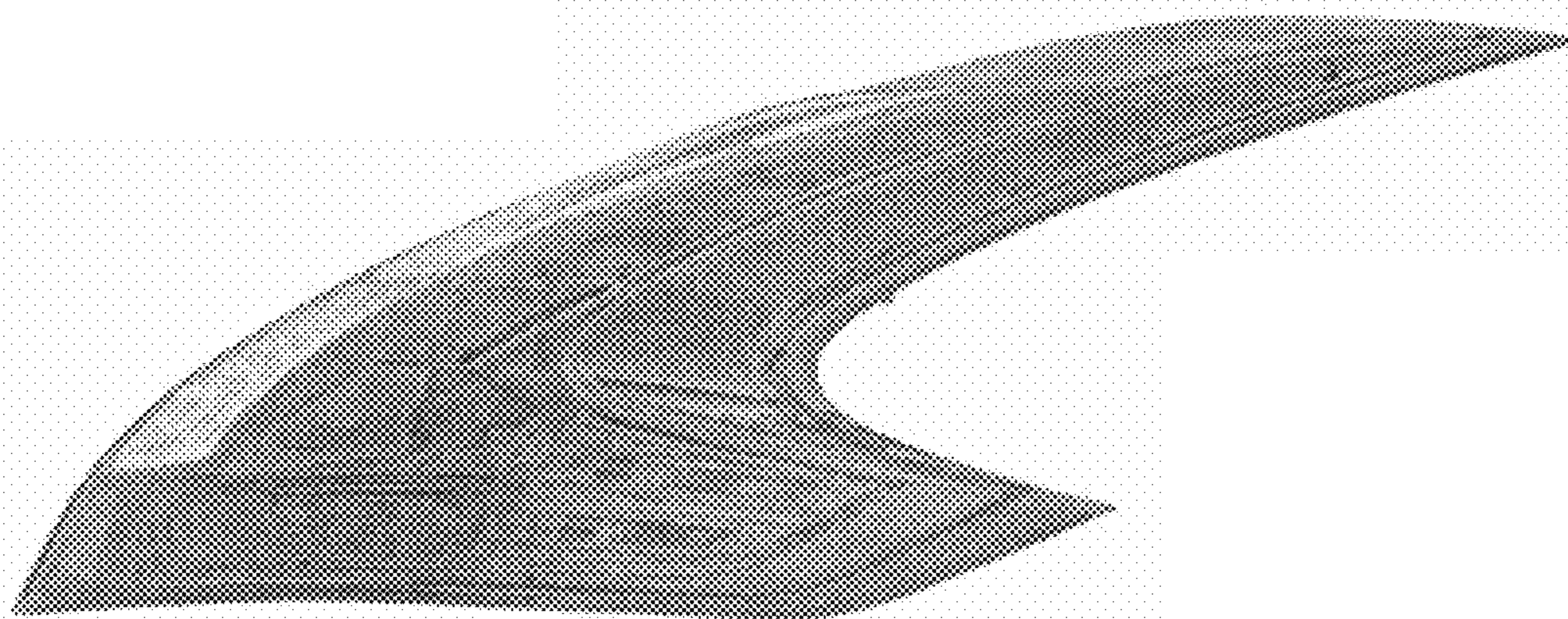


Fig.3

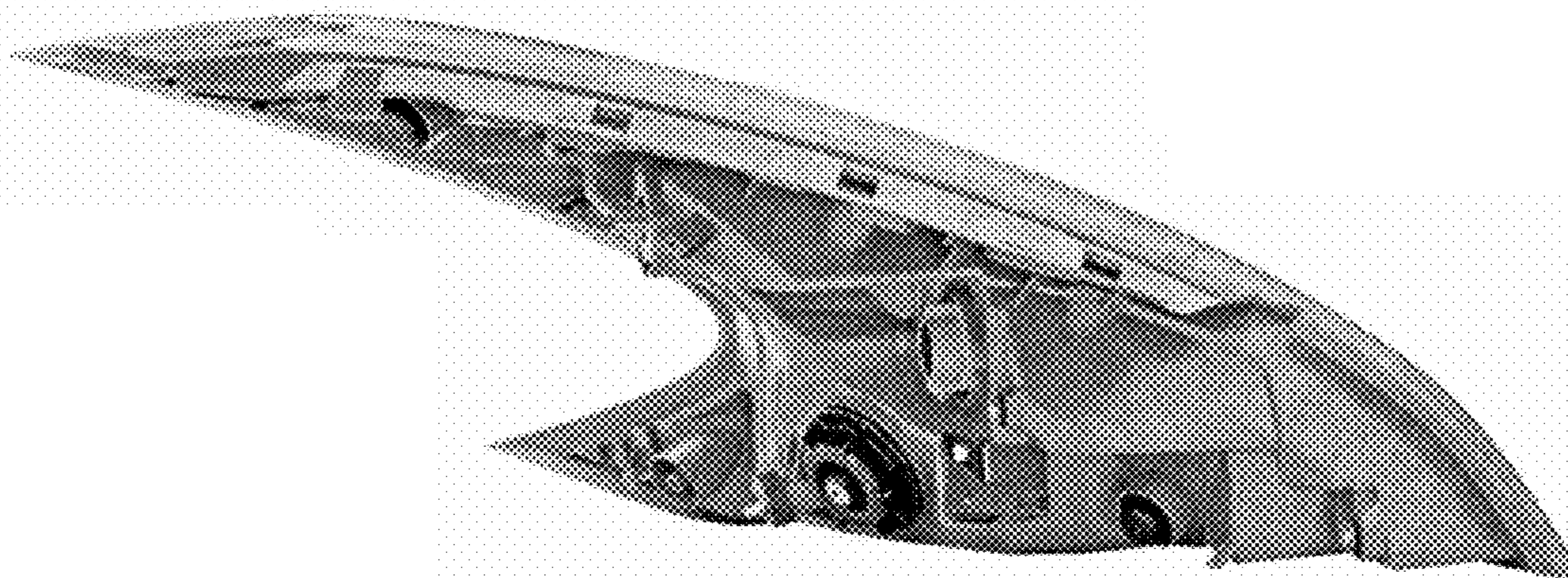


Fig.4

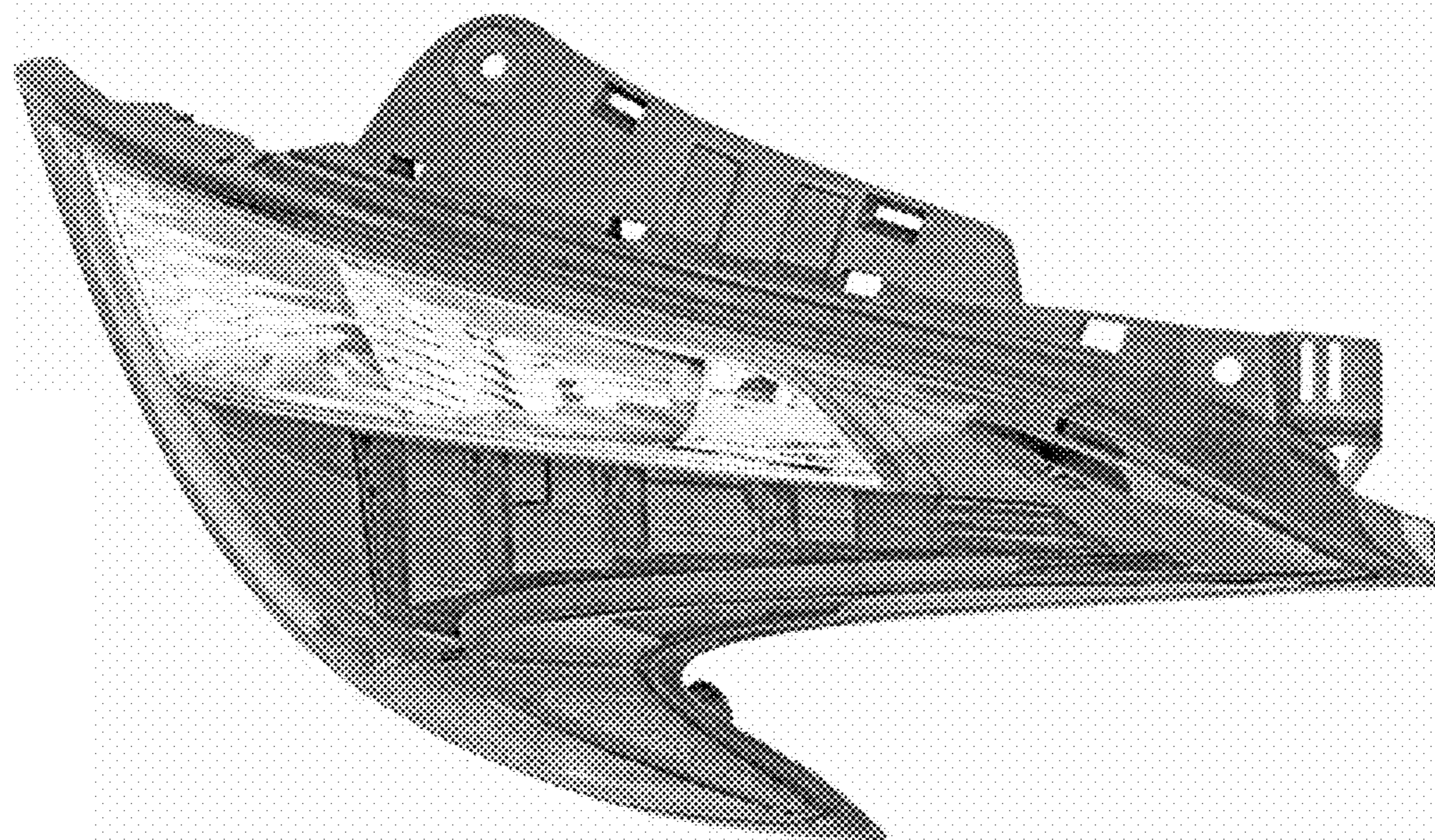


Fig.5

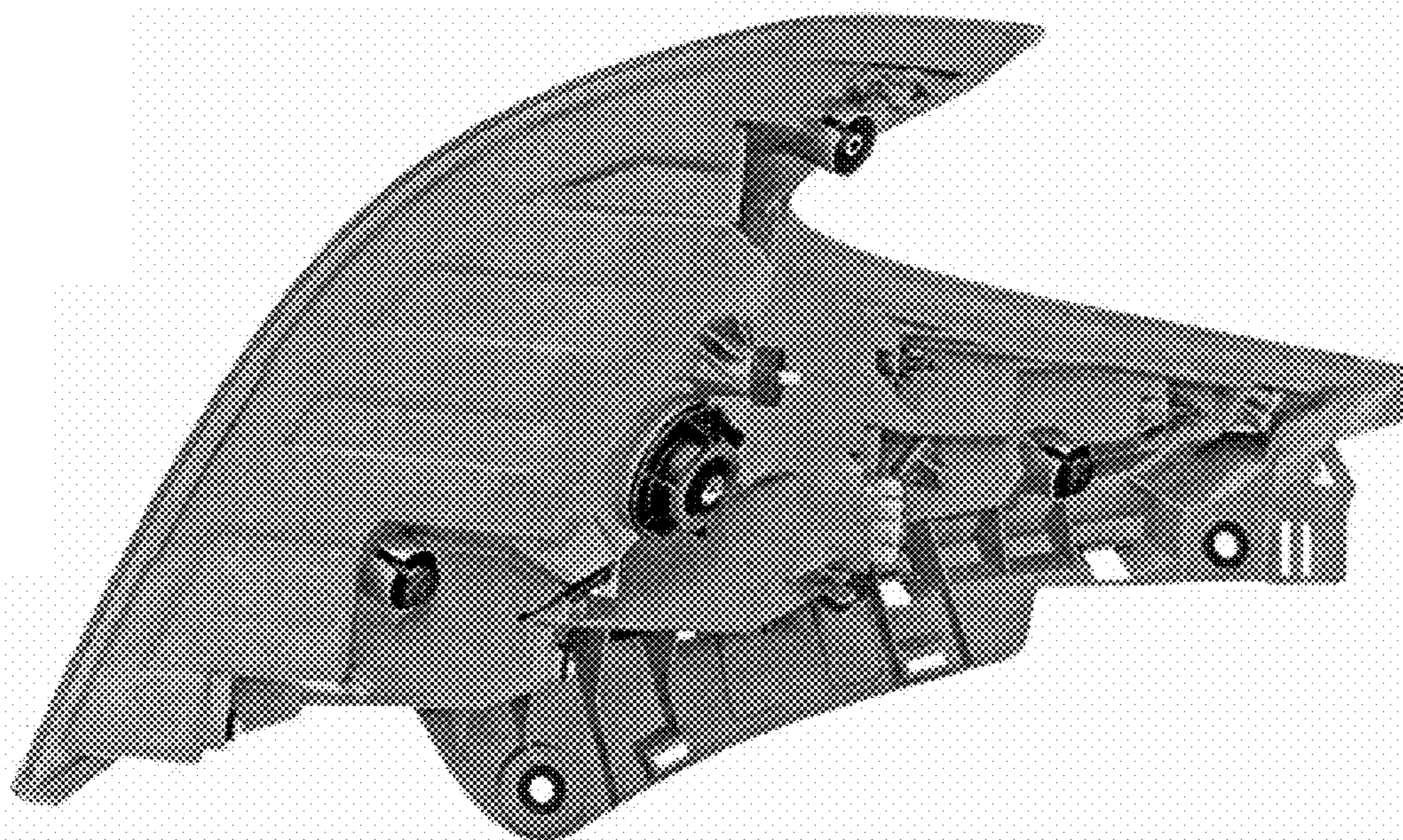


Fig.6

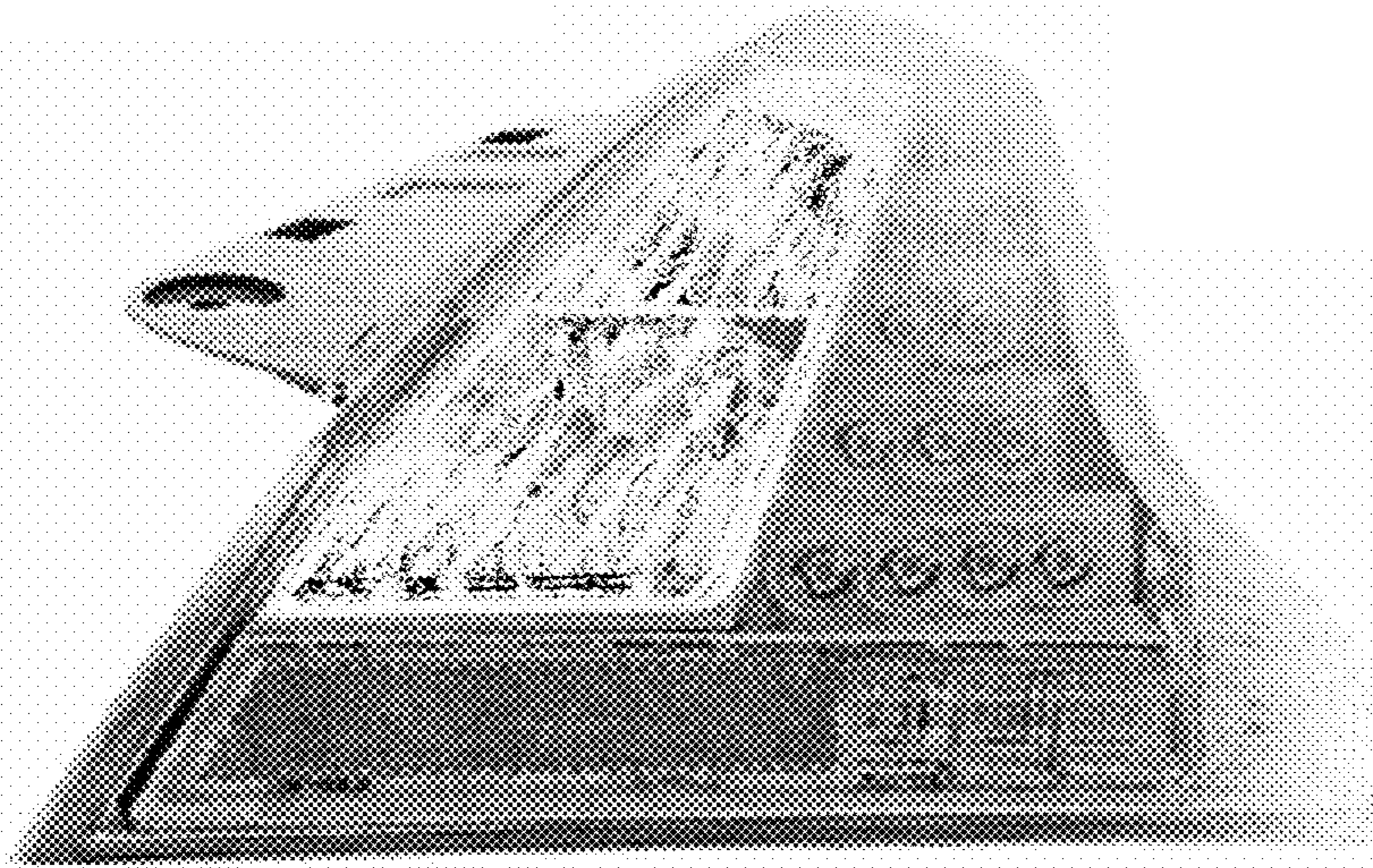


Fig.7

