



US00D596322S

(12) **United States Design Patent**
Takahashi et al.

(10) **Patent No.:** **US D596,322 S**
(45) **Date of Patent:** **** Jul. 14, 2009**

(54) **REAR COMBINATION LAMP CASE FOR A MOTOR SCOOTER**

(75) Inventors: **Daisuke Takahashi**, Wako (JP); **Valerio Aiello**, Rome (IT)

(73) Assignee: **Honda Motor Co., Ltd.**, Tokyo (JP)

(**) Term: **14 Years**

(21) Appl. No.: **29/309,635**

(22) Filed: **Sep. 16, 2008**

(30) **Foreign Application Priority Data**

Mar. 17, 2008 (JP) 2008-006505

(51) **LOC (9) Cl.** **26-04**

(52) **U.S. Cl.** **D26/28**

(58) **Field of Classification Search** D26/28-36;
362/459-468, 475-478, 485-487
See application file for complete search history.

(56) **References Cited**

U.S. PATENT DOCUMENTS

D498,012 S * 11/2004 Ballentine D26/28
D518,203 S * 3/2006 Phillips et al. D26/28
D529,638 S * 10/2006 Conte D26/28

D538,955 S * 3/2007 Katagiri et al. D26/28
D569,016 S * 5/2008 Tsukui et al. D26/28
D572,851 S * 7/2008 Watanabe et al. D26/28
D580,569 S * 11/2008 Ohashi et al. D26/28

FOREIGN PATENT DOCUMENTS

JP 1154931 10/2002

* cited by examiner

Primary Examiner—Marcus A. Jackson

(74) *Attorney, Agent, or Firm*—Birch, Stewart, Kolasch & Birch, LLP

(57) **CLAIM**

The ornamental design for, a rear combination lamp case for a motor scooter, as shown and described.

DESCRIPTION

FIG. 1 is a first perspective view of a rear combination lamp case for a motor scooter, showing our new design;

FIG. 2 is a front elevation view thereof;

FIG. 3 is a top plan view thereof; and,

FIG. 4 is a right side elevation view thereof.

The broken lines are for illustrative purposes only and form no part of the claimed design.

1 Claim, 4 Drawing Sheets

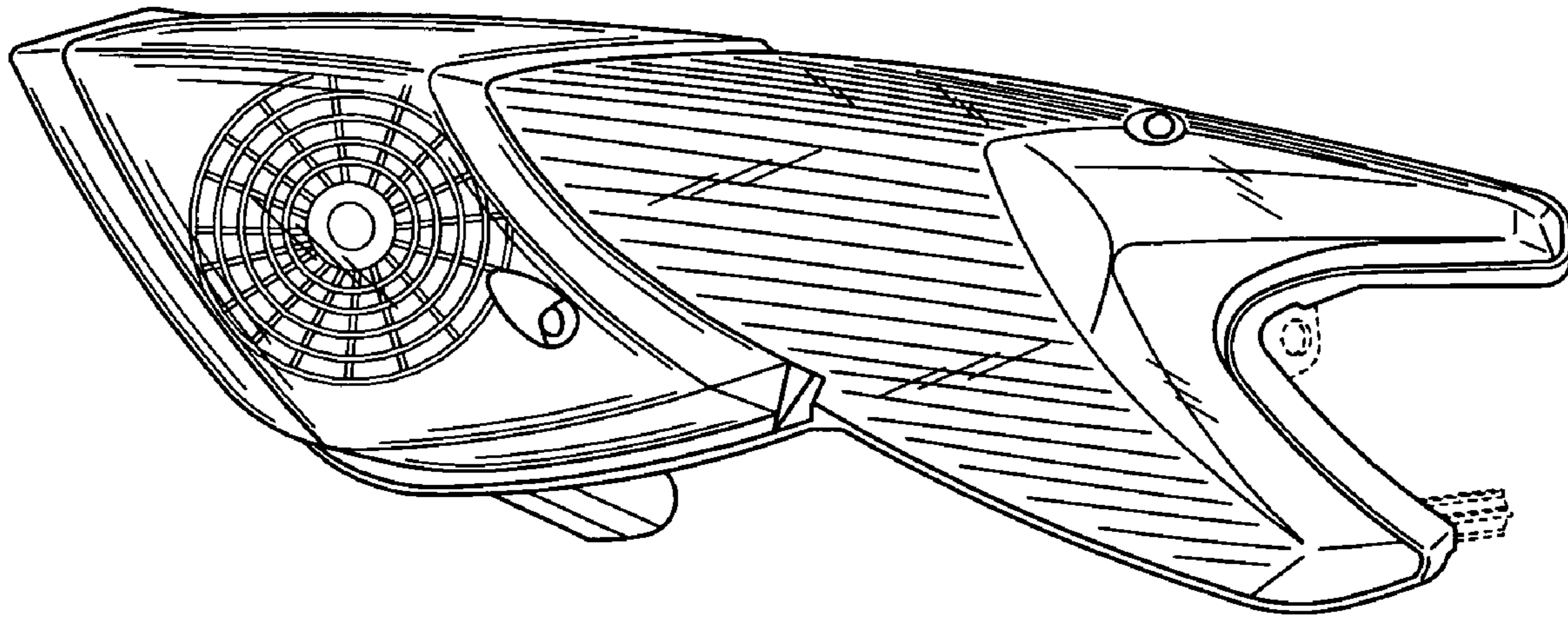


Fig 1

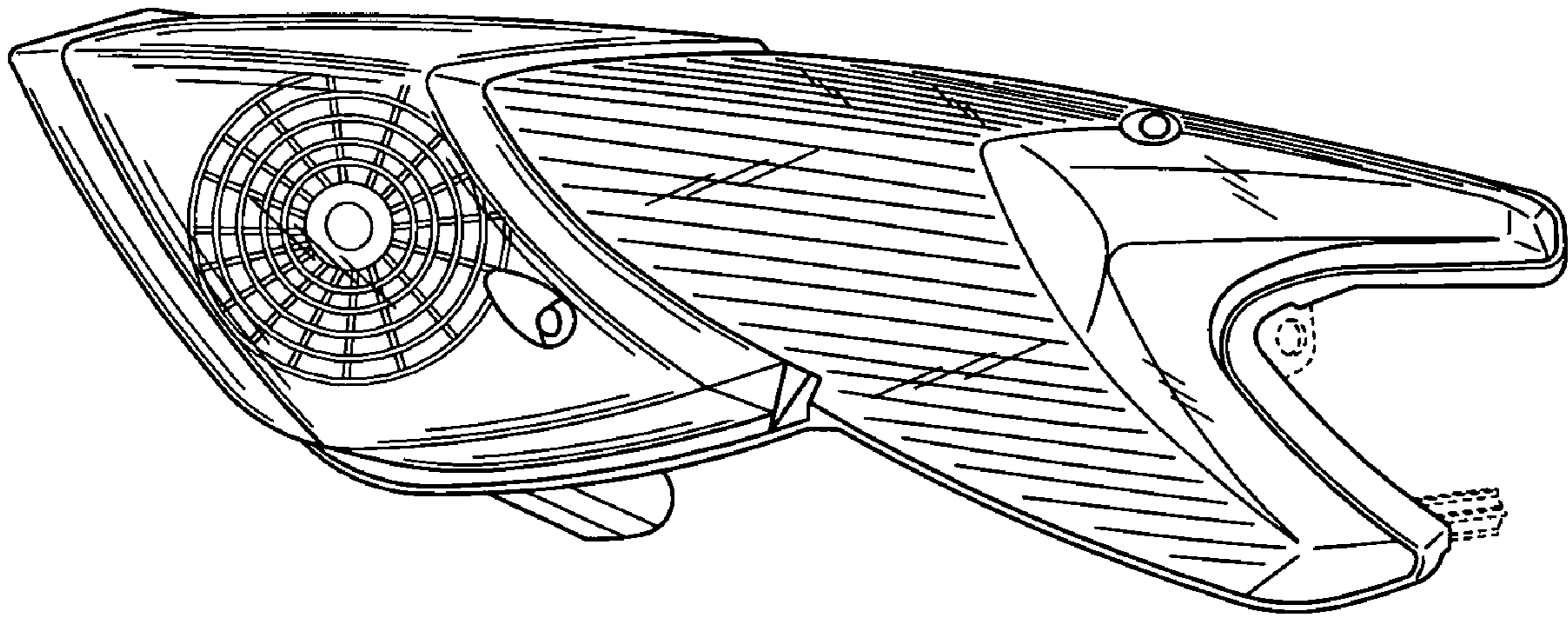


Fig2

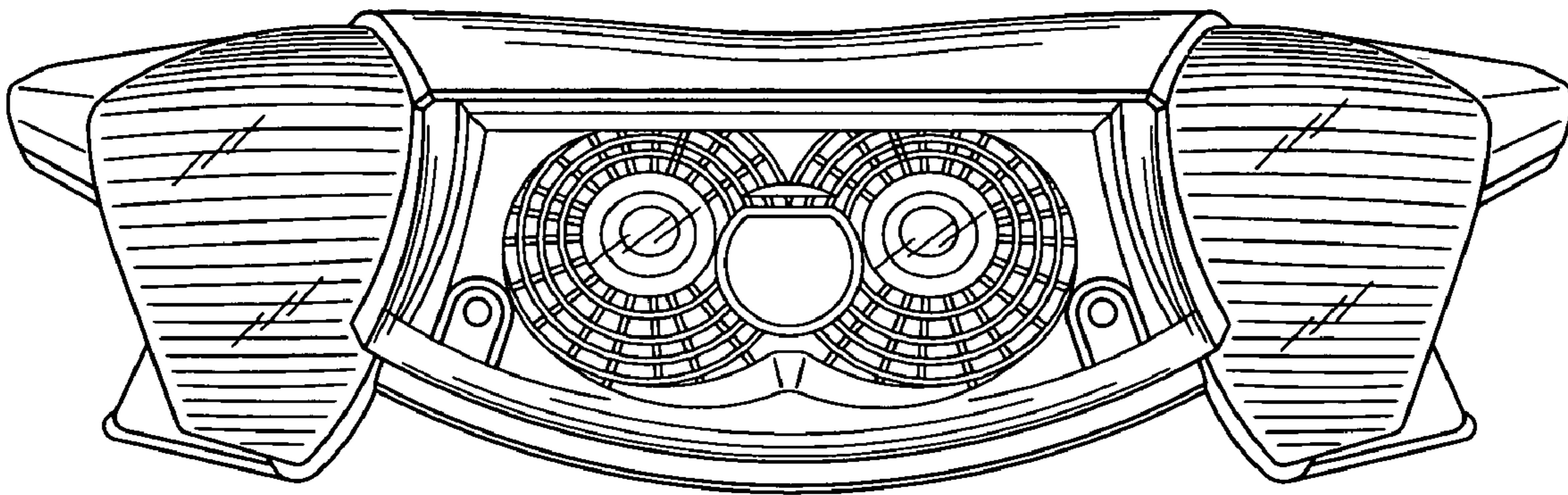


Fig3

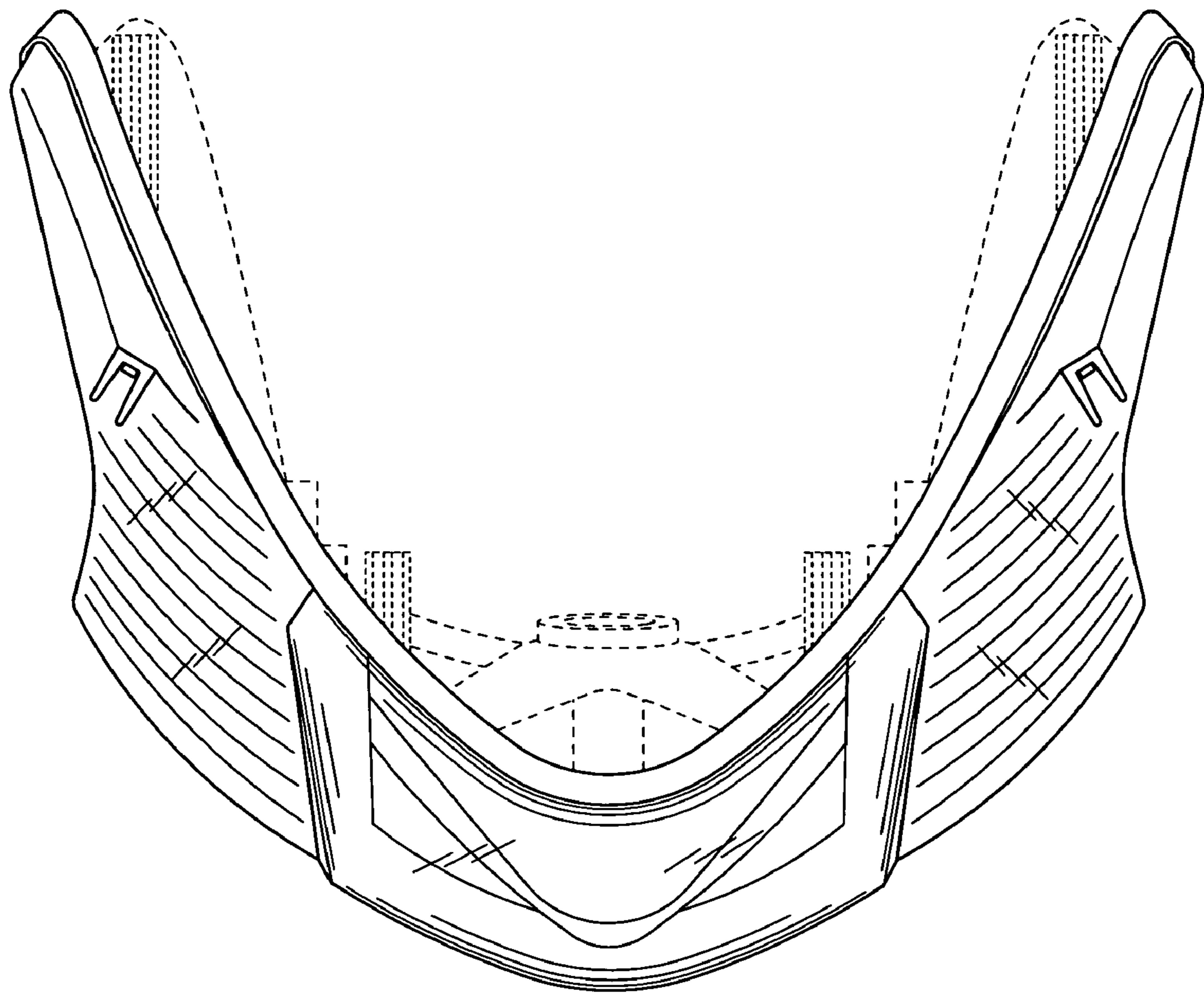


Fig4

