



US00D596321S

(12) **United States Design Patent**  
**Noh**

(10) **Patent No.:** **US D596,321 S**

(45) **Date of Patent:** **\*\* Jul. 14, 2009**

(54) **FLUORESCENT LAMP**

(75) Inventor: **Si Chung Noh**, Gyeonggi-do (KR)

(73) Assignee: **Feelux Co., Ltd.** (KR)

(\*\*) Term: **14 Years**

(21) Appl. No.: **29/293,910**

(22) Filed: **Dec. 17, 2007**

(51) **LOC (9) Cl.** ..... **26-04**

(52) **U.S. Cl.** ..... **D26/3**

(58) **Field of Classification Search** ..... D26/1-4;  
313/313, 315, 317, 318, 493; 315/52, 53,  
315/56, 57, 58

See application file for complete search history.

(56) **References Cited**

**U.S. PATENT DOCUMENTS**

- D448,500 S \* 9/2001 Choi ..... D26/3
- D477,093 S \* 7/2003 Moriyama et al. .... D26/3
- D506,274 S \* 6/2005 Moriyama et al. .... D26/3
- D550,379 S \* 9/2007 Hoshikawa et al. .... D26/25
- D584,429 S \* 1/2009 Pei et al. .... D26/3

D585,148 S \* 1/2009 Foo ..... D26/3

\* cited by examiner

*Primary Examiner*—Marcus A. Jackson

(74) *Attorney, Agent, or Firm*—Finnegan, Henderson, Farabow, Garrett & Dunner, LLP

(57) **CLAIM**

The ornamental design for a fluorescent lamp, as shown and described.

**DESCRIPTION**

FIG. 1 is a perspective view of the fluorescent lamp showing a new design;

FIG. 2 is a front view thereof;

FIG. 3 is a rear view thereof;

FIG. 4 is a left-side view thereof;

FIG. 5 is a right-side view thereof;

FIG. 6 is a top plan view thereof; and

FIG. 7 is a bottom view thereof; and,

FIG. 8 is a perspective view thereof, with the broken lines shown for illustrative purposes only and forming no part of the claimed design.

**1 Claim, 2 Drawing Sheets**

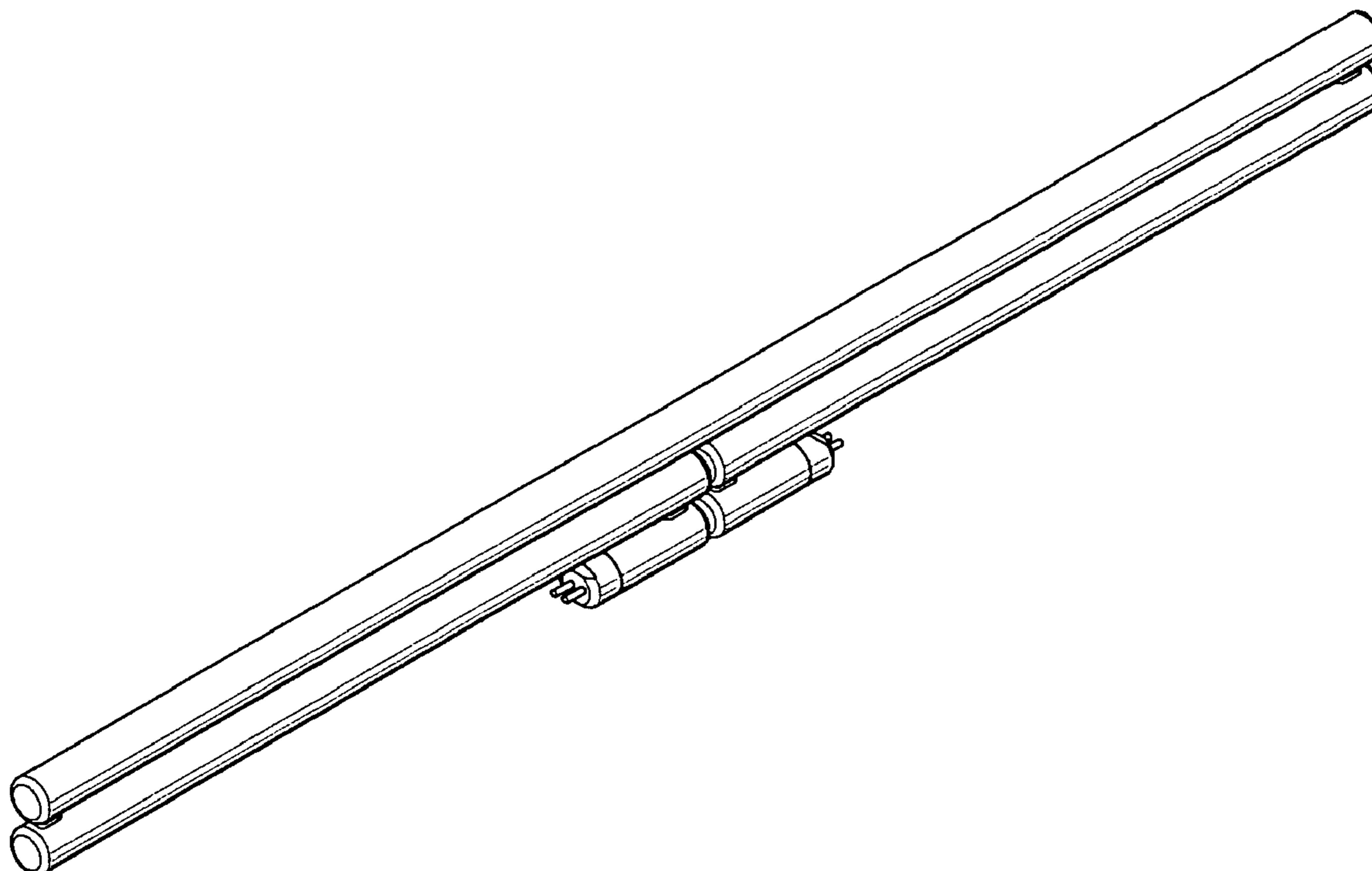


FIG. 1

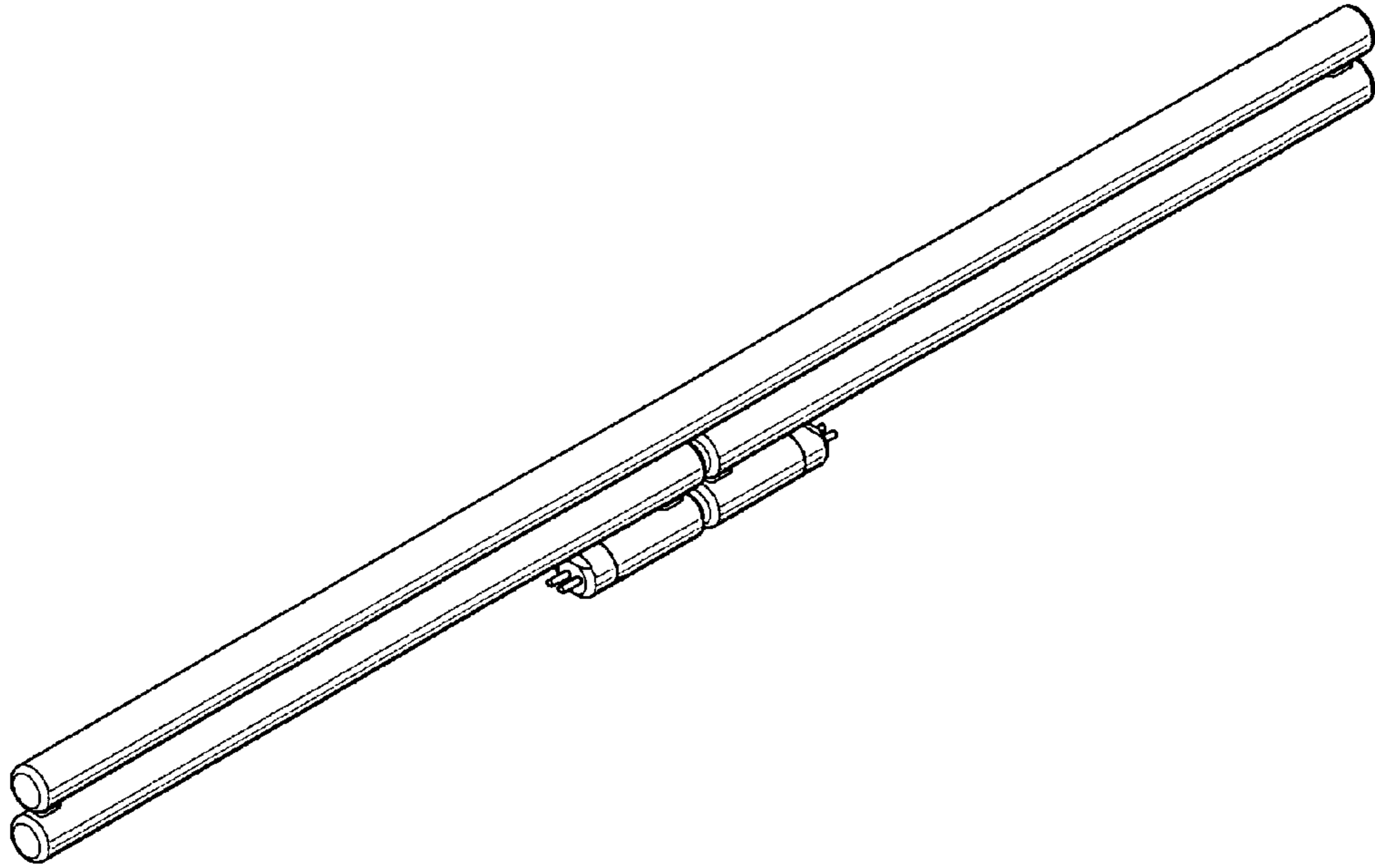


FIG. 2

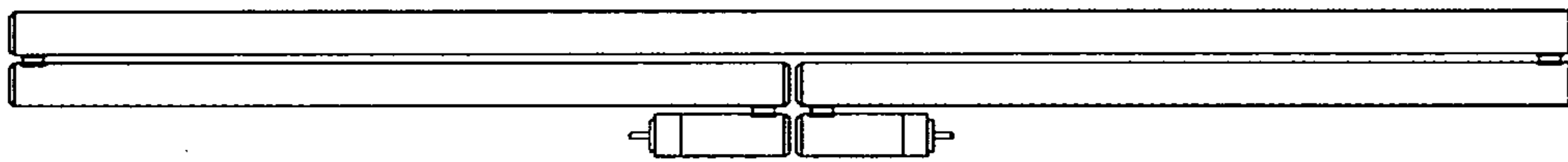


FIG. 3

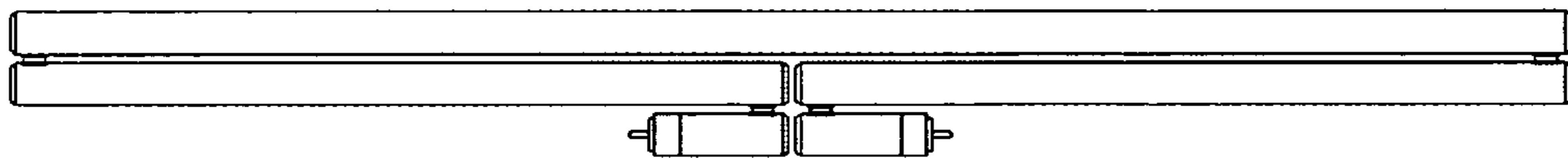


FIG. 4



FIG. 5



FIG. 6



FIG. 7



FIG. 8

