



US00D596316S

(12) **United States Design Patent**
Bateman et al.

(10) **Patent No.:** **US D596,316 S**
(45) **Date of Patent:** **** Jul. 14, 2009**

(54) **FRAMEWORK**

(75) Inventors: **Lachlan Samuel Bateman**, London (GB); **Martyn John Charles Berry**, Waterlooville (GB)

(73) Assignee: **Solar Century Holdings Limited**, London (GB)

(**) Term: **14 Years**

(21) Appl. No.: **29/302,460**

(22) Filed: **Jan. 17, 2008**

(30) **Foreign Application Priority Data**

Jul. 17, 2007 (EM) 000759709

(51) **LOC (9) Cl.** **25-02**

(52) **U.S. Cl.** **D25/61**

(58) **Field of Classification Search** D26/61;
52/633, 634, 636, 638, 653.1, 690, 650.3
See application file for complete search history.

(56) **References Cited**

U.S. PATENT DOCUMENTS

3,562,994 A * 2/1971 Von Linsowe 52/650.2

D352,557 S * 11/1994 Hing D25/61
6,065,267 A * 5/2000 Fisher 52/692
2004/0144055 A1* 7/2004 Lewison 52/633

* cited by examiner

Primary Examiner—Doris Clark

(74) *Attorney, Agent, or Firm*—Arthur Jacob

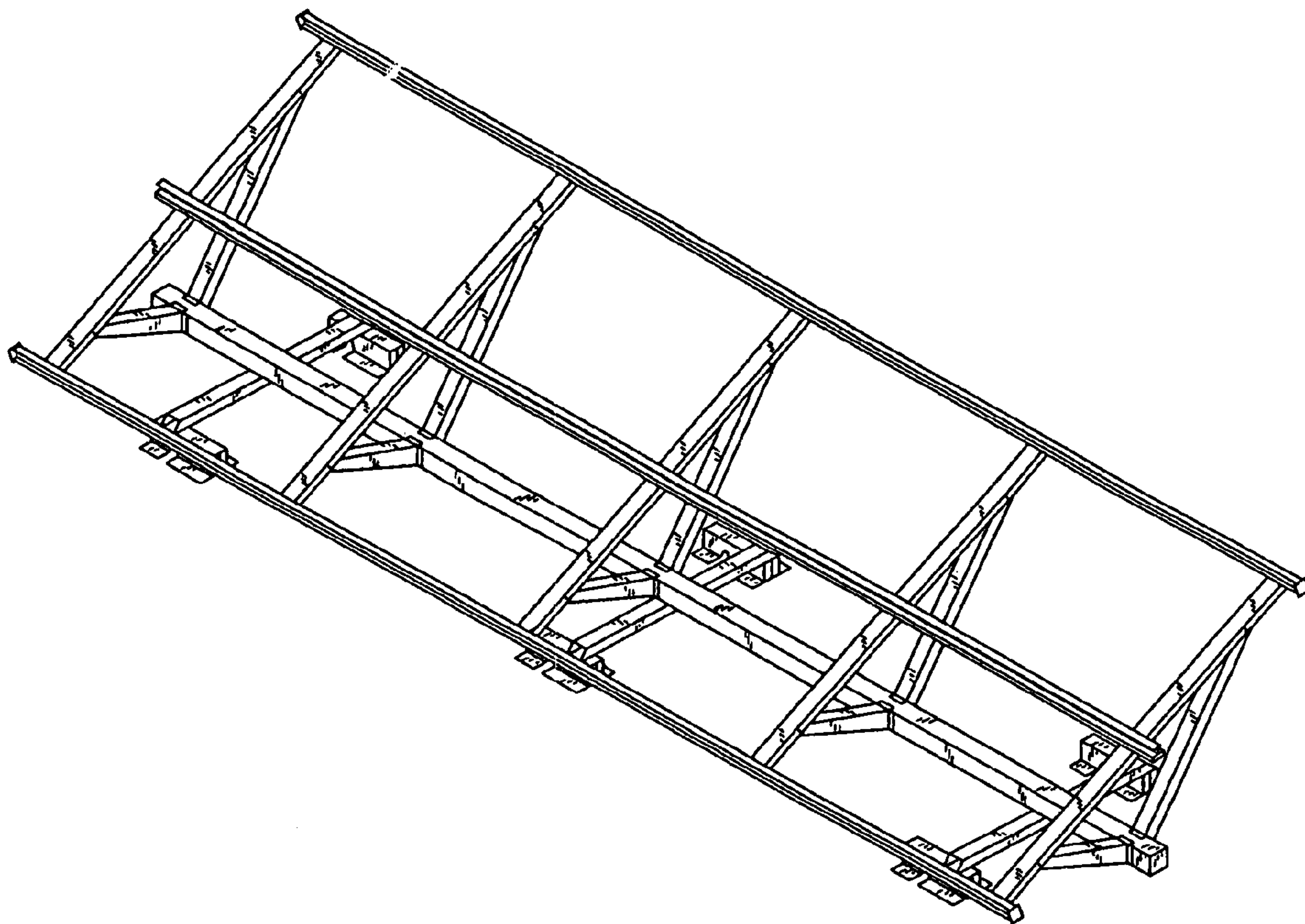
(57) **CLAIM**

The ornamental design for a framework, as shown and described.

DESCRIPTION

FIG. 1 is a front and right end isometric view showing our new design;
FIG. 2 is a front elevational view thereof;
FIG. 3 is a top plan view thereof; and,
FIG. 4 is an enlarged left end elevational view thereof, the right end elevational view being a mirror-image thereof.

1 Claim, 4 Drawing Sheets



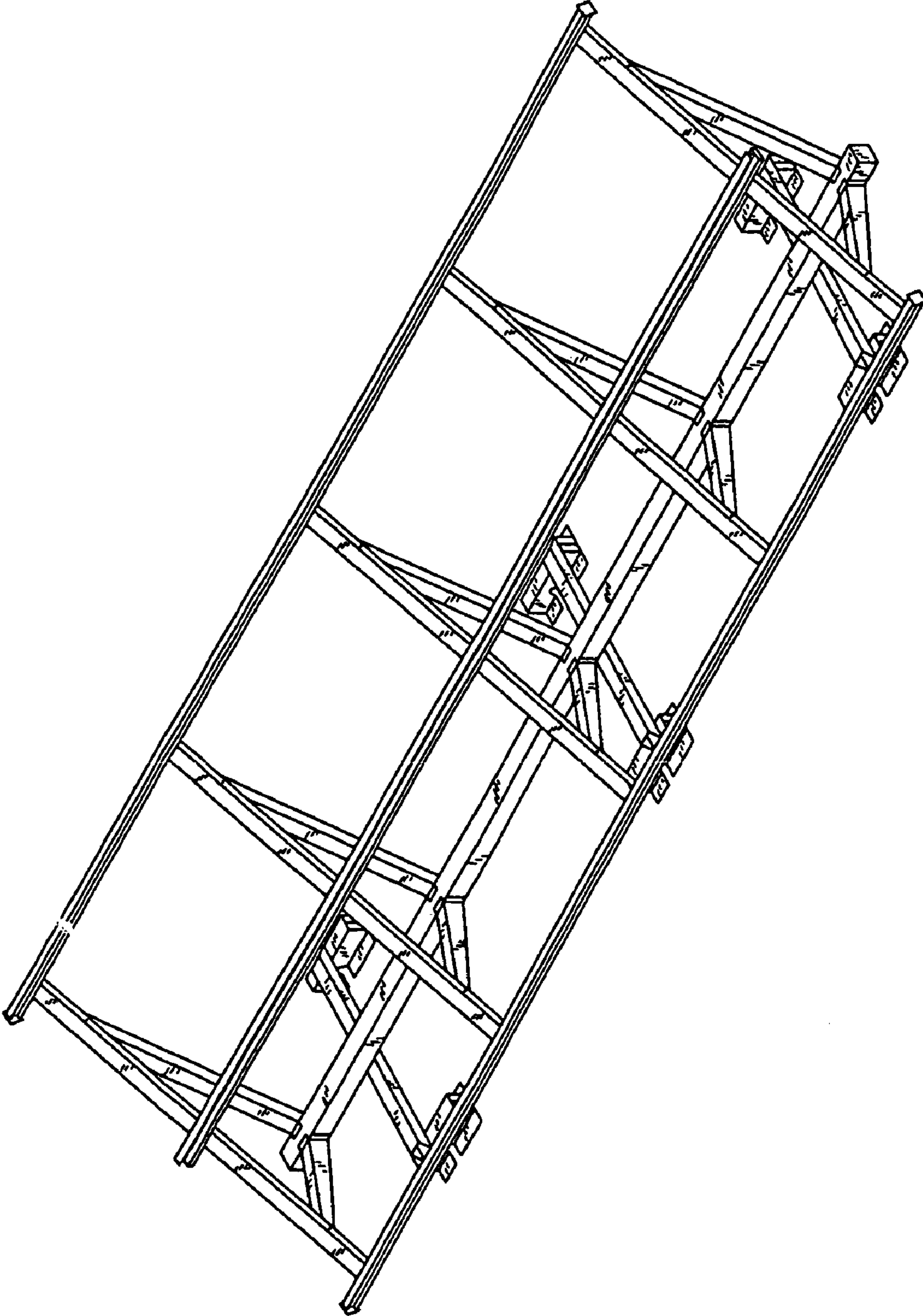


FIG. 1

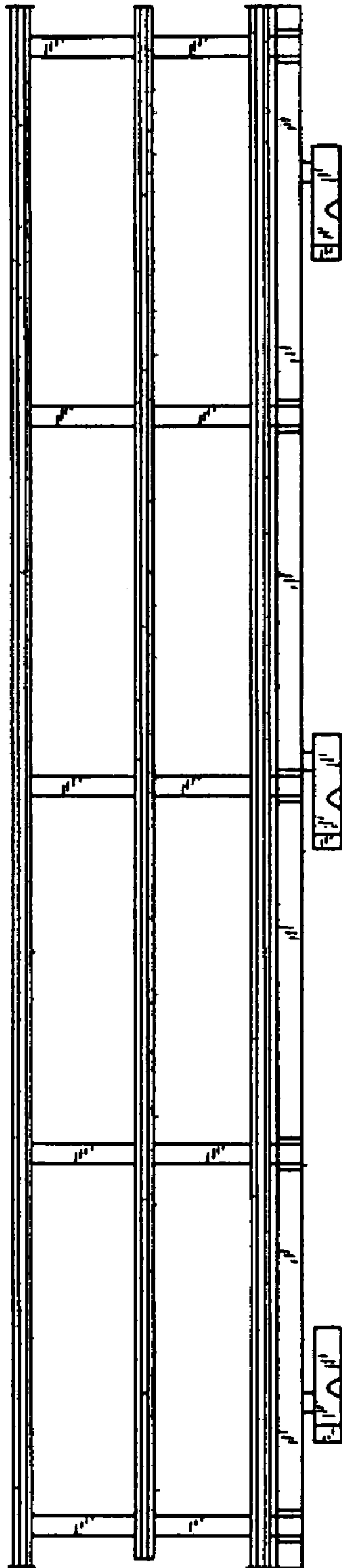


FIG.2

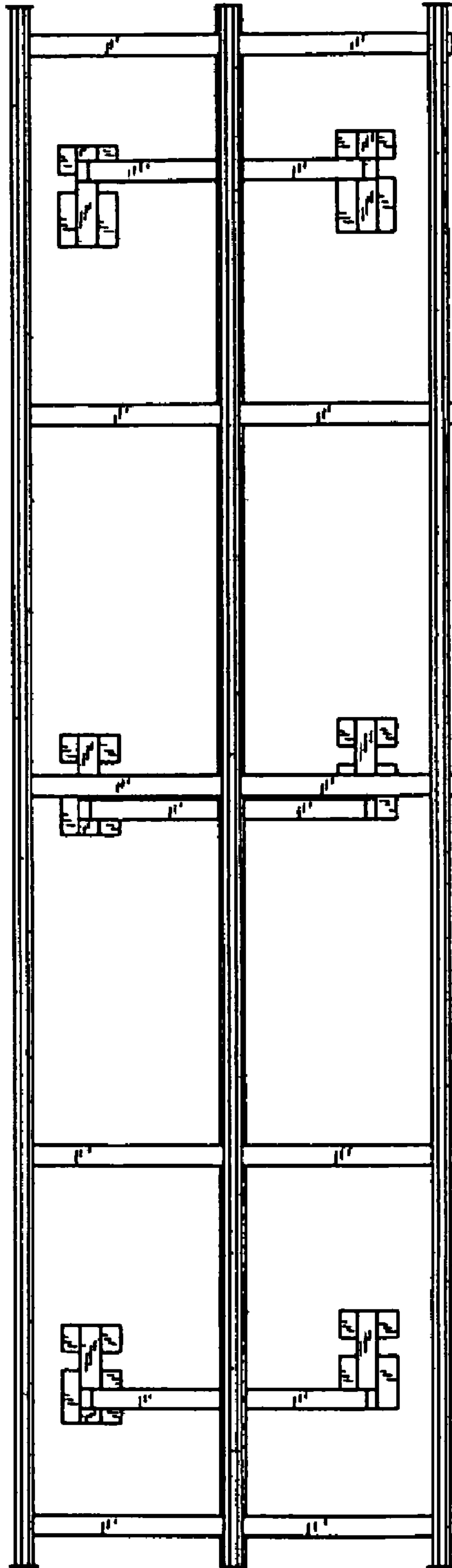


FIG. 3

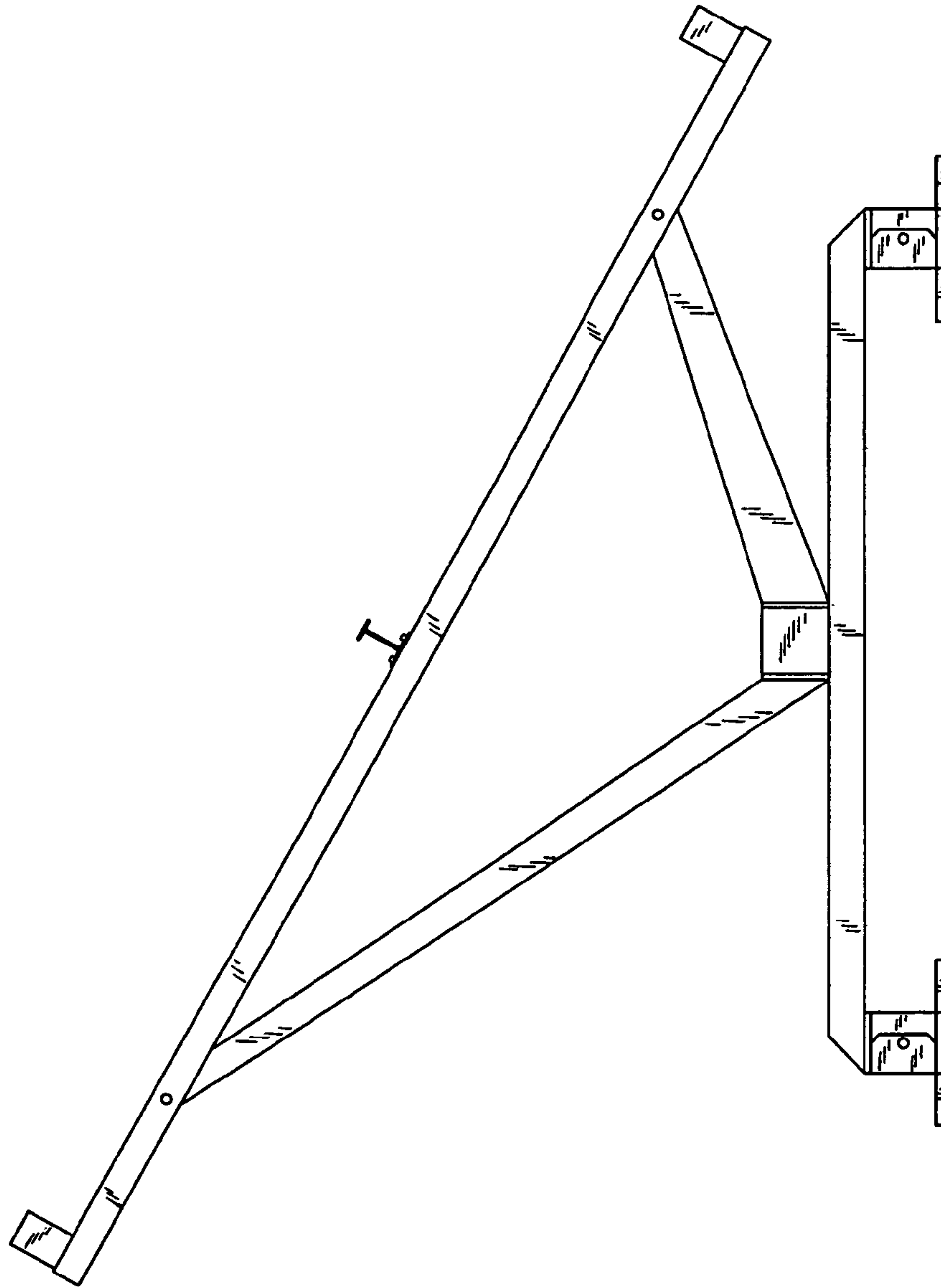


FIG. 4