



US00D596315S

(12) **United States Design Patent**  
**Bateman et al.**

(10) **Patent No.:** **US D596,315 S**  
(45) **Date of Patent:** **\*\* Jul. 14, 2009**

(54) **FRAMEWORK**

(75) Inventors: **Lachlan Samuel Bateman**, London (GB); **Martyn John Charles Berry**, Waterlooville (GB)

(73) Assignee: **Solar Century Holdings Limited**, London (GB)

(\*\*) Term: **14 Years**

(21) Appl. No.: **29/302,458**

(22) Filed: **Jan. 17, 2008**

(30) **Foreign Application Priority Data**

Jul. 17, 2007 (EM) ..... 000759691

(51) **LOC (9) Cl.** ..... **25-02**

(52) **U.S. Cl.** ..... **D25/61**

(58) **Field of Classification Search** ..... D26/61;  
52/633, 634, 636, 638, 653.1, 690, 650.3  
See application file for complete search history.

(56) **References Cited**

**U.S. PATENT DOCUMENTS**

3,562,994 A \* 2/1971 Linsowe ..... 52/650.2

D352,557 S \* 11/1994 Hing ..... D25/61  
6,065,267 A \* 5/2000 Fisher ..... 52/692  
2004/0144055 A1\* 7/2004 Lewison ..... 52/633

\* cited by examiner

*Primary Examiner*—Doris Clark

(74) *Attorney, Agent, or Firm*—Arthur Jacob

(57) **CLAIM**

The ornamental design for a framework, as shown and described.

**DESCRIPTION**

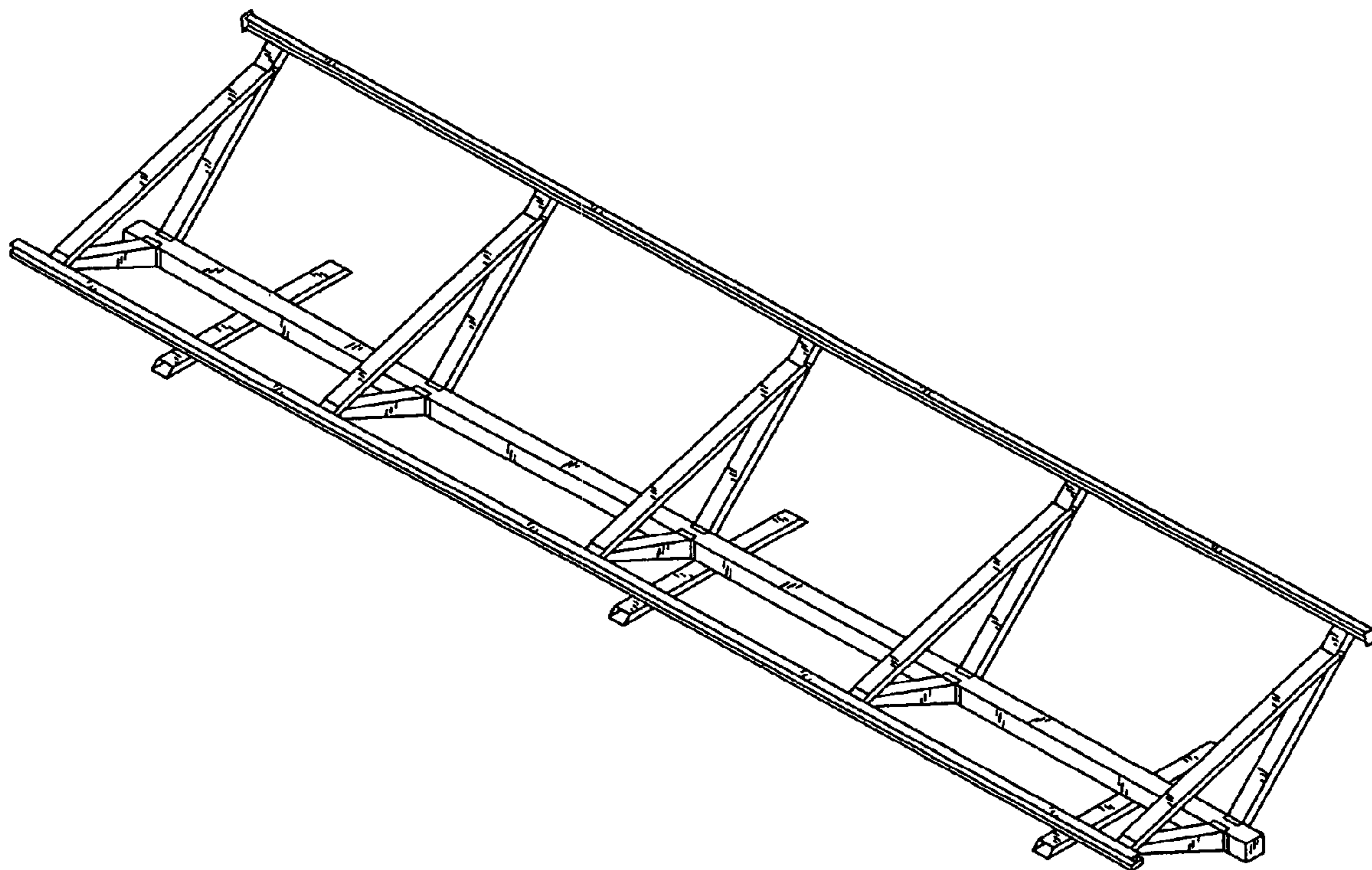
FIG. 1 is a front and right end isometric view showing our new design;

FIG. 2 is a front elevational view thereof;

FIG. 3 is a top plan view thereof; and,

FIG. 4 is an enlarged left end elevational view thereof, the right end elevational view being a mirror-image thereof.

**1 Claim, 4 Drawing Sheets**



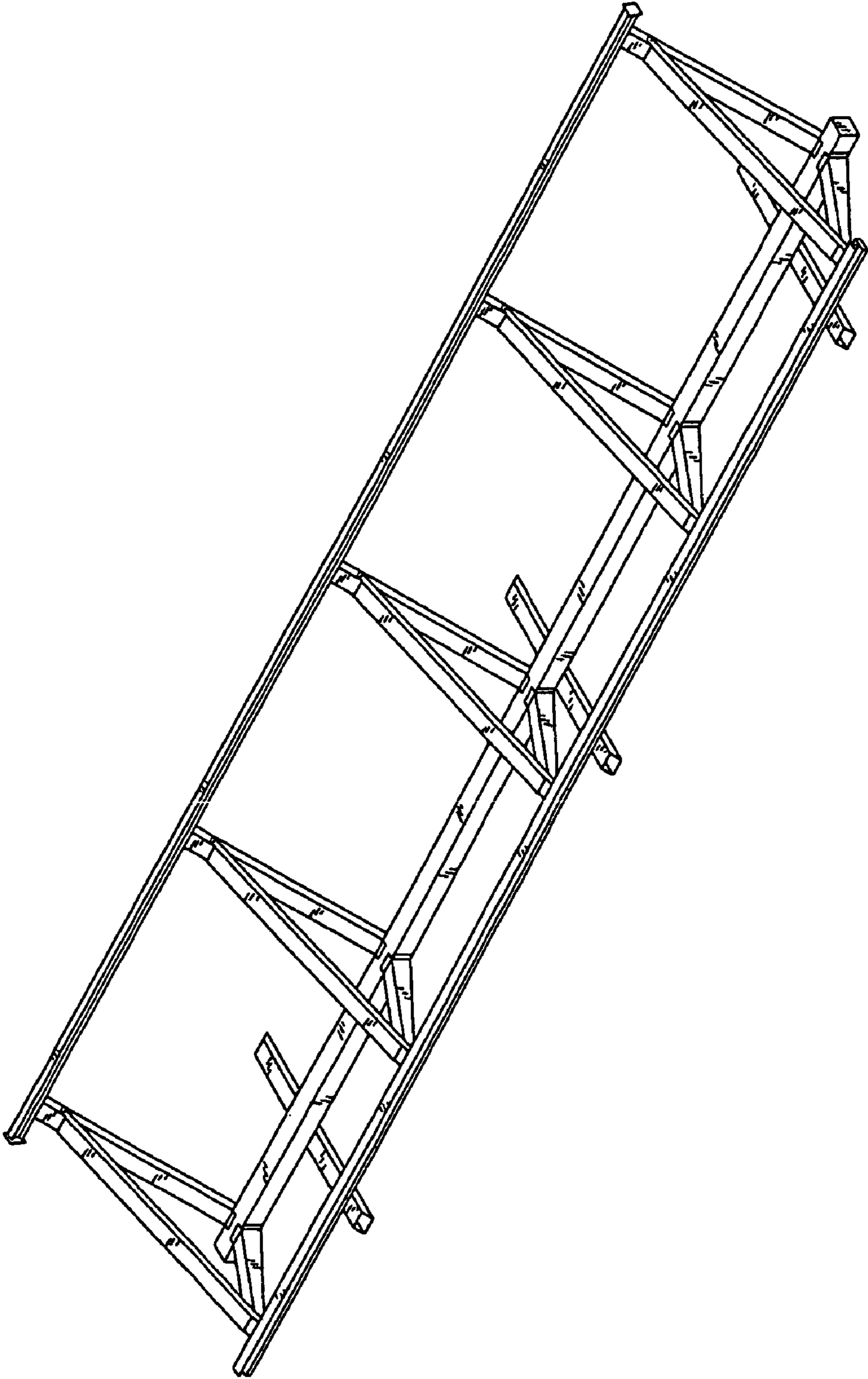


FIG. 1

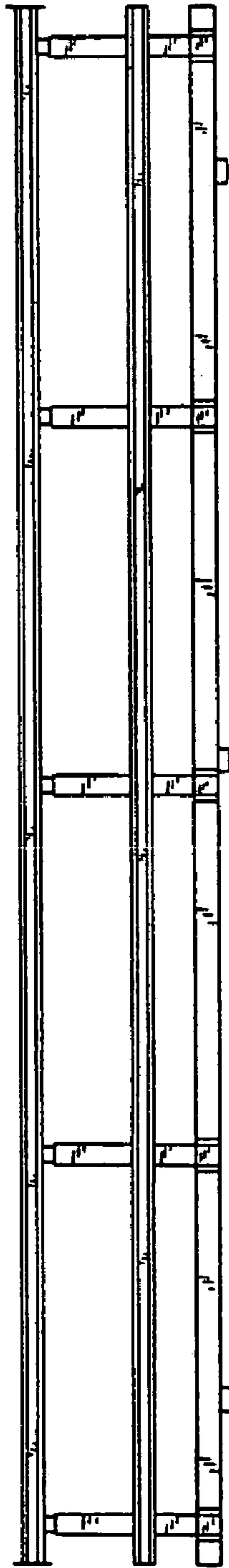


FIG.2

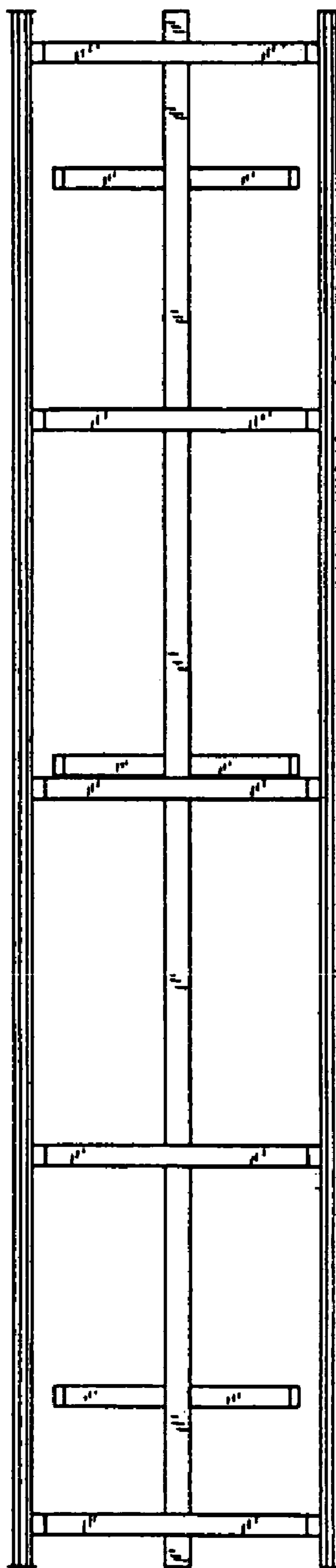


FIG. 3

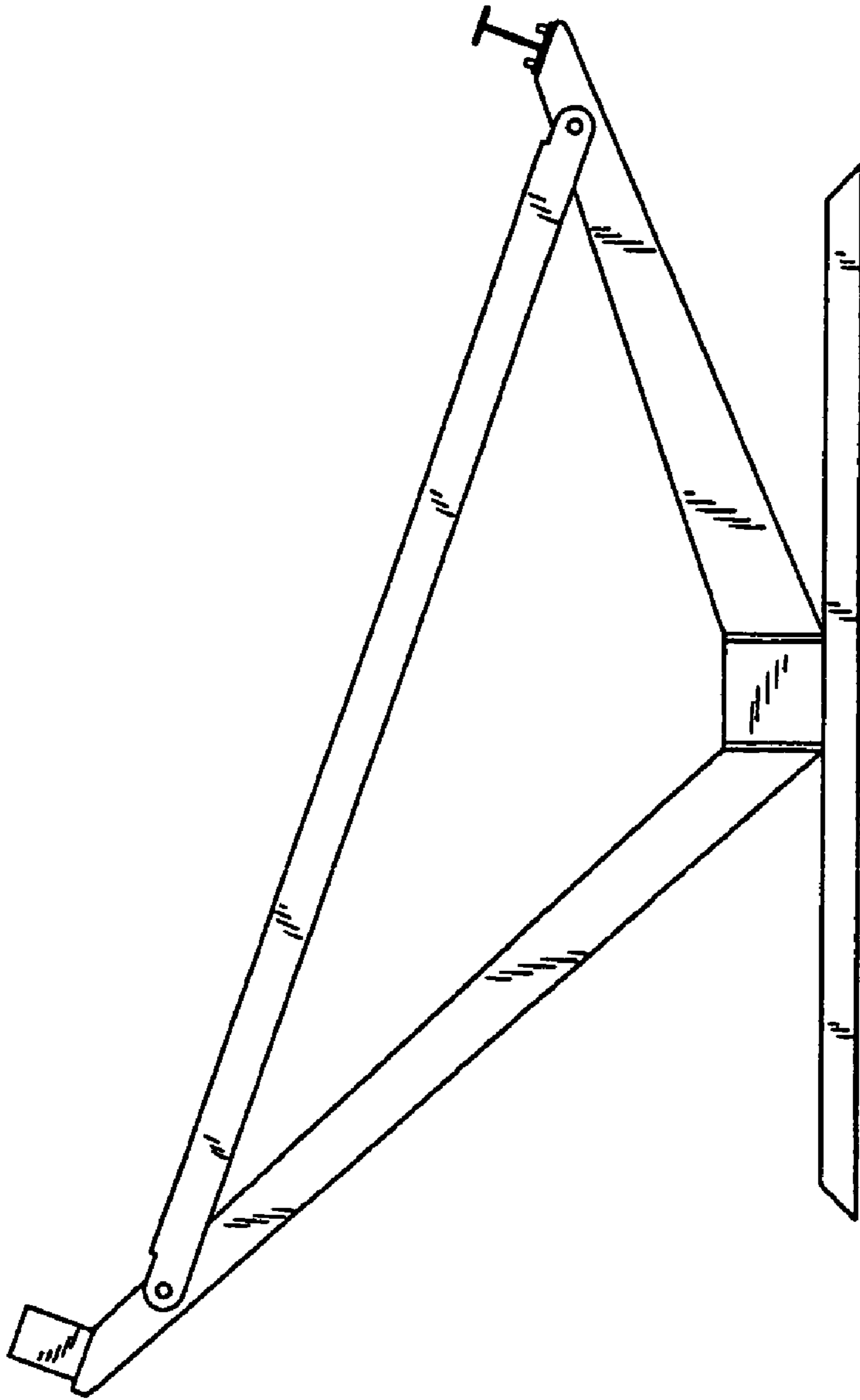


FIG.4