



US00D596314S

(12) **United States Design Patent**
Parsons

(10) **Patent No.:** **US D596,314 S**
(45) **Date of Patent:** **** Jul. 14, 2009**

(54) **PLATFORM**

(75) Inventor: **Philip Parsons**, London (GB)

(73) Assignee: **Steeldeck Industries Limited**, London (GB)

(**) Term: **14 Years**

(21) Appl. No.: **29/300,024**

(22) Filed: **Feb. 11, 2008**

(30) **Foreign Application Priority Data**

Aug. 10, 2007 (EM) 000778253-0001

(51) **LOC (9) Cl.** **25-04**

(52) **U.S. Cl.** **D25/61**

(58) **Field of Classification Search** D25/62,
D25/61; 182/222; 52/7, 87, 634, 650.3,
52/630

See application file for complete search history.

(56) **References Cited**

U.S. PATENT DOCUMENTS

4,005,556 A * 2/1977 Tuomi 52/93.2
4,749,060 A * 6/1988 Vandelinde 182/222
5,007,501 A * 4/1991 Baston 182/128
D374,292 S * 10/1996 Koo et al. D25/61

6,076,311 A * 6/2000 Godfrey 52/143
6,266,938 B1 * 7/2001 Sheu et al. 52/633
D464,144 S * 10/2002 Peterson D25/62
D502,271 S * 2/2005 Stensrud D25/61

* cited by examiner

Primary Examiner—Doris Clark

(74) *Attorney, Agent, or Firm*—Dickstein Shapiro LLP

(57) **CLAIM**

The ornamental design for a platform, as shown and described.

DESCRIPTION

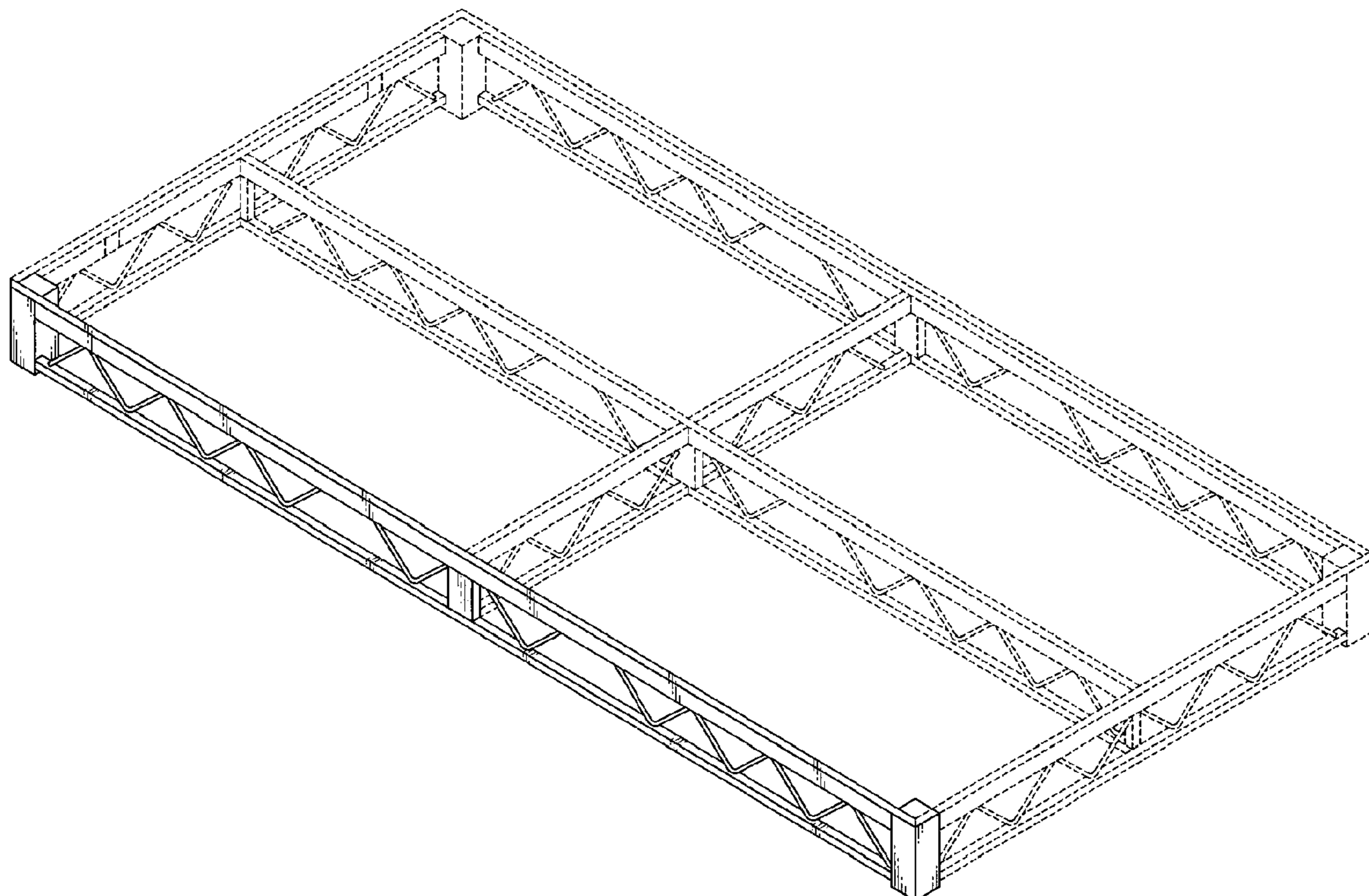
FIG. 1 is a top view of the platform of the present invention; FIG. 2 is a longitudinal side view of the platform of the present invention;

FIG. 3 is a lateral side view of the platform of the present invention; and,

FIG. 4 is a perspective view of the platform of the present invention.

The broken lines in the figures, showing all components of the platform except for the longitudinal side component shown in FIG. 2 and FIG. 4 in solid lines, are for illustrative purposes only and form no part of the claimed design.

1 Claim, 2 Drawing Sheets



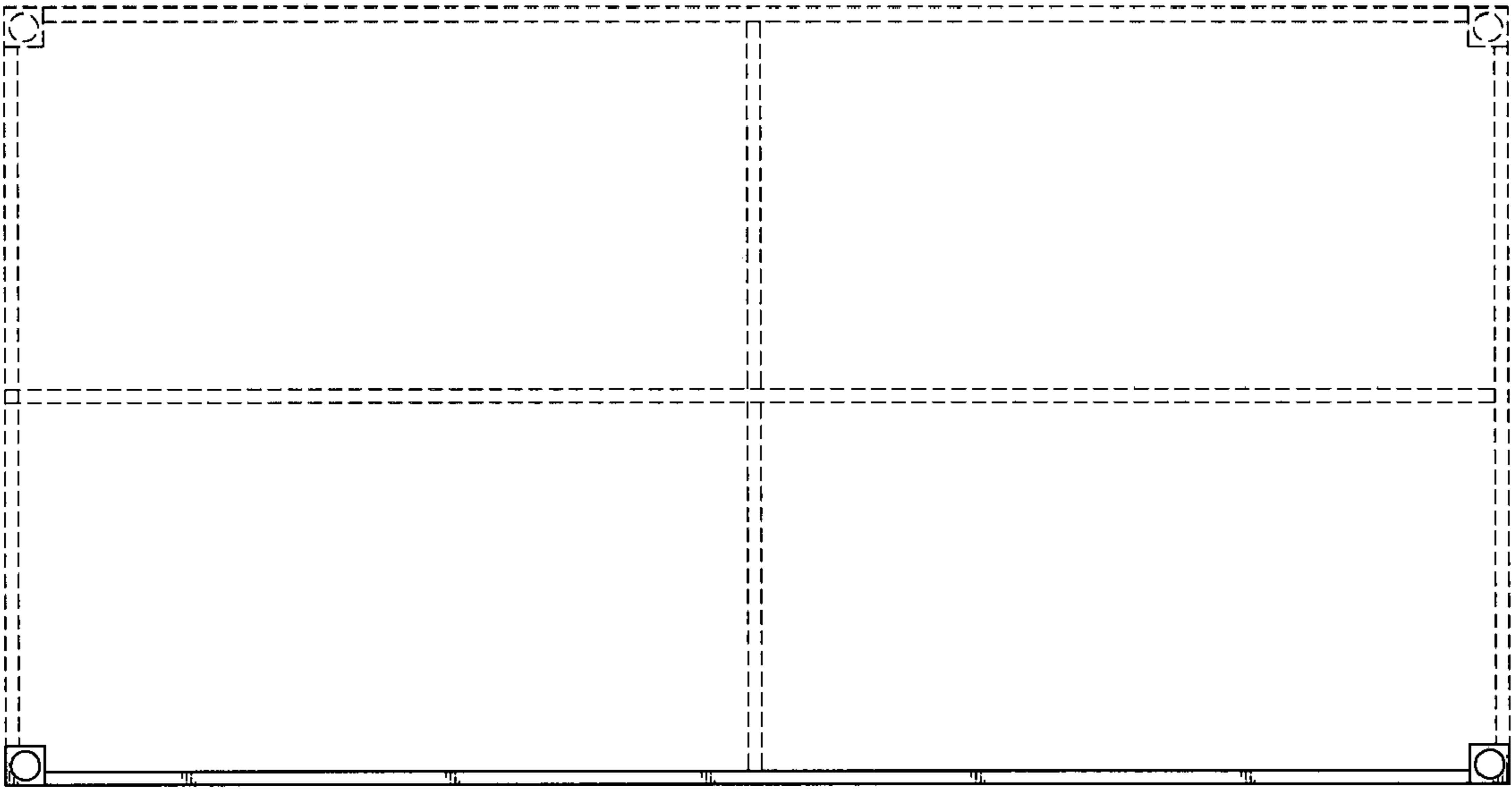


Fig. 1

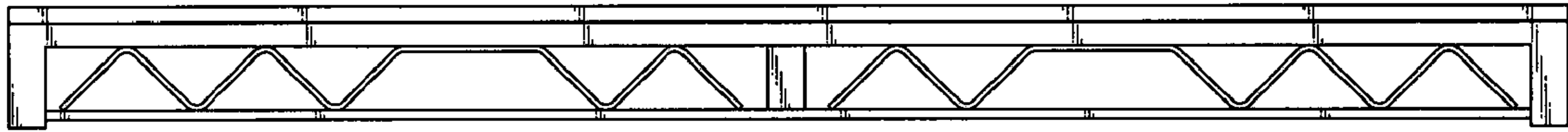


Fig. 2

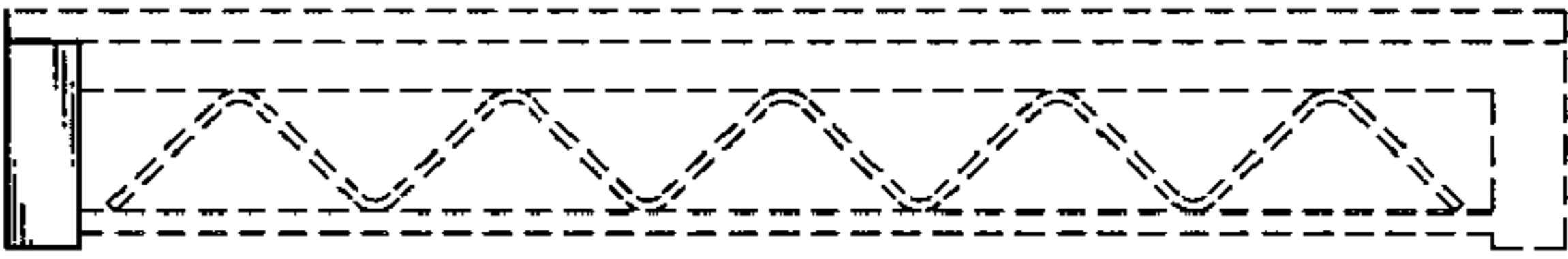


Fig. 3

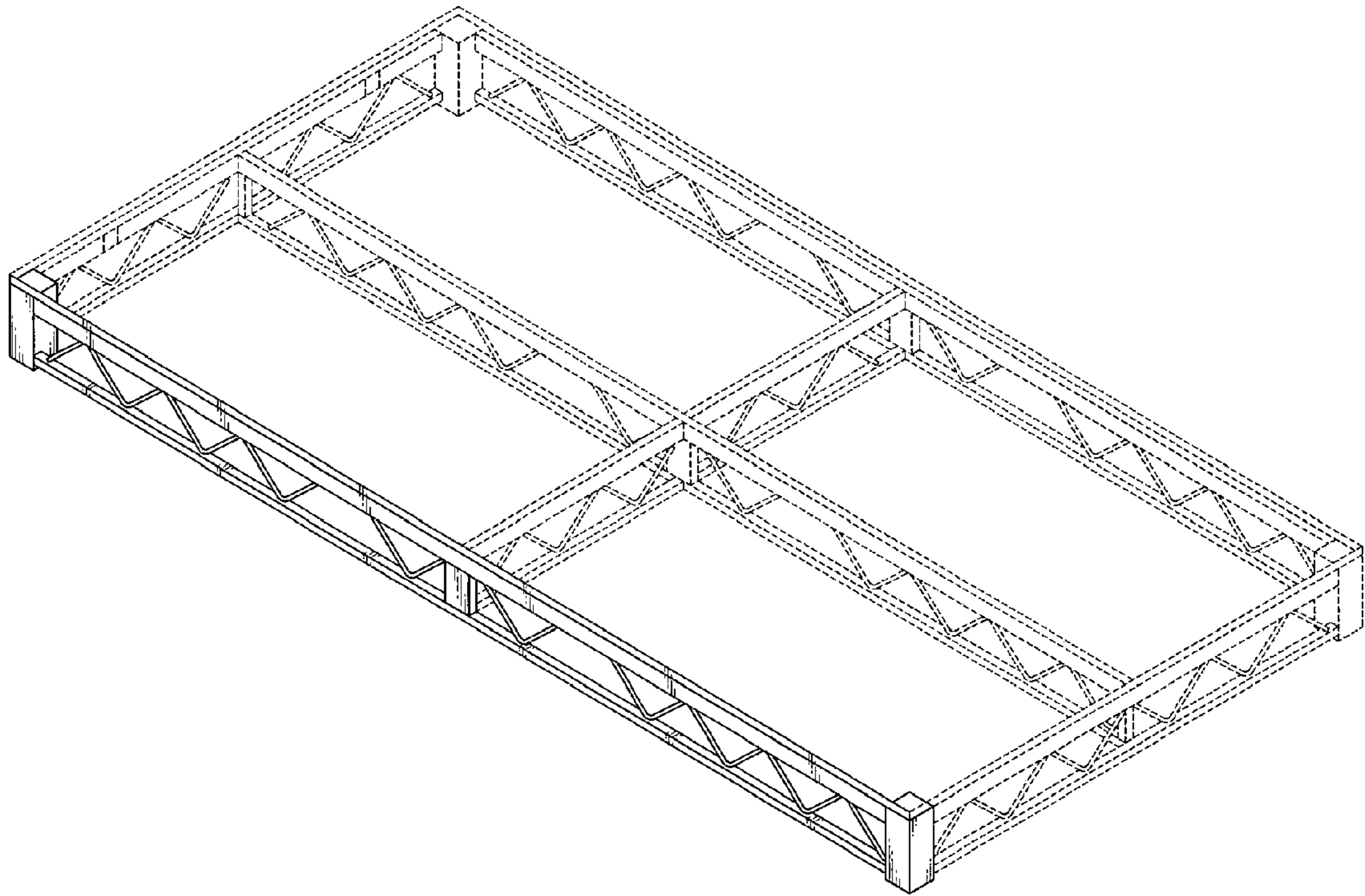


Fig. 4