



US00D596313S

(12) **United States Design Patent**
Perrine

(10) **Patent No.:** **US D596,313 S**
(45) **Date of Patent:** **** Jul. 14, 2009**

(54) **MODULAR BUILDING**

(76) Inventor: **Jean-mic Perrine**, Level 1, 16 Milligan Street, Perth (AU) 6000

(**) Term: **14 Years**

(21) Appl. No.: **29/305,008**

(22) Filed: **Mar. 11, 2008**

(51) **LOC (9) Cl.** **25-03**

(52) **U.S. Cl.** **D25/1**

(58) **Field of Classification Search** D25/1,
D25/3-4, 16, 18, 22, 31, 33; D12/101-102;
52/79.1, 79.4

See application file for complete search history.

(56) **References Cited**

U.S. PATENT DOCUMENTS

D210,357 S *	3/1968	Anderson	D25/5
3,778,528 A *	12/1973	Heifetz et al.	52/220.2
3,793,796 A *	2/1974	Hughes	52/79.8
3,905,167 A *	9/1975	Watkins et al.	52/79.4
3,984,950 A *	10/1976	Hildebrand et al.	52/79.7
4,267,769 A *	5/1981	Davis et al.	454/187
D272,469 S *	1/1984	Burleson	D25/1
4,514,938 A *	5/1985	Maguire	52/79.4
D549,837 S *	8/2007	Travis	D25/33
D559,403 S *	1/2008	Vils	D25/3

* cited by examiner

Primary Examiner—T. Chase Nelson
Assistant Examiner—Kathleen M Sims

(74) *Attorney, Agent, or Firm*—Intellectual Property Law Group LLP; Juneko Jackson; Otto O. Lee

(57) **CLAIM**

The ornamental design for a modular building, as shown and described.

DESCRIPTION

FIG. 1 is a rear perspective view of a first embodiment of a modular building showing my new design, which is shown broken away to indicate that a specific length forms no part of the claimed design;

FIG. 2 is a front view thereof, the rear view being a mirror image thereof;

FIG. 3 is a left side view thereof;

FIG. 4 is a right side view thereof;

FIG. 5 is a top plan view thereof, the bottom plan view being a mirror image thereof;

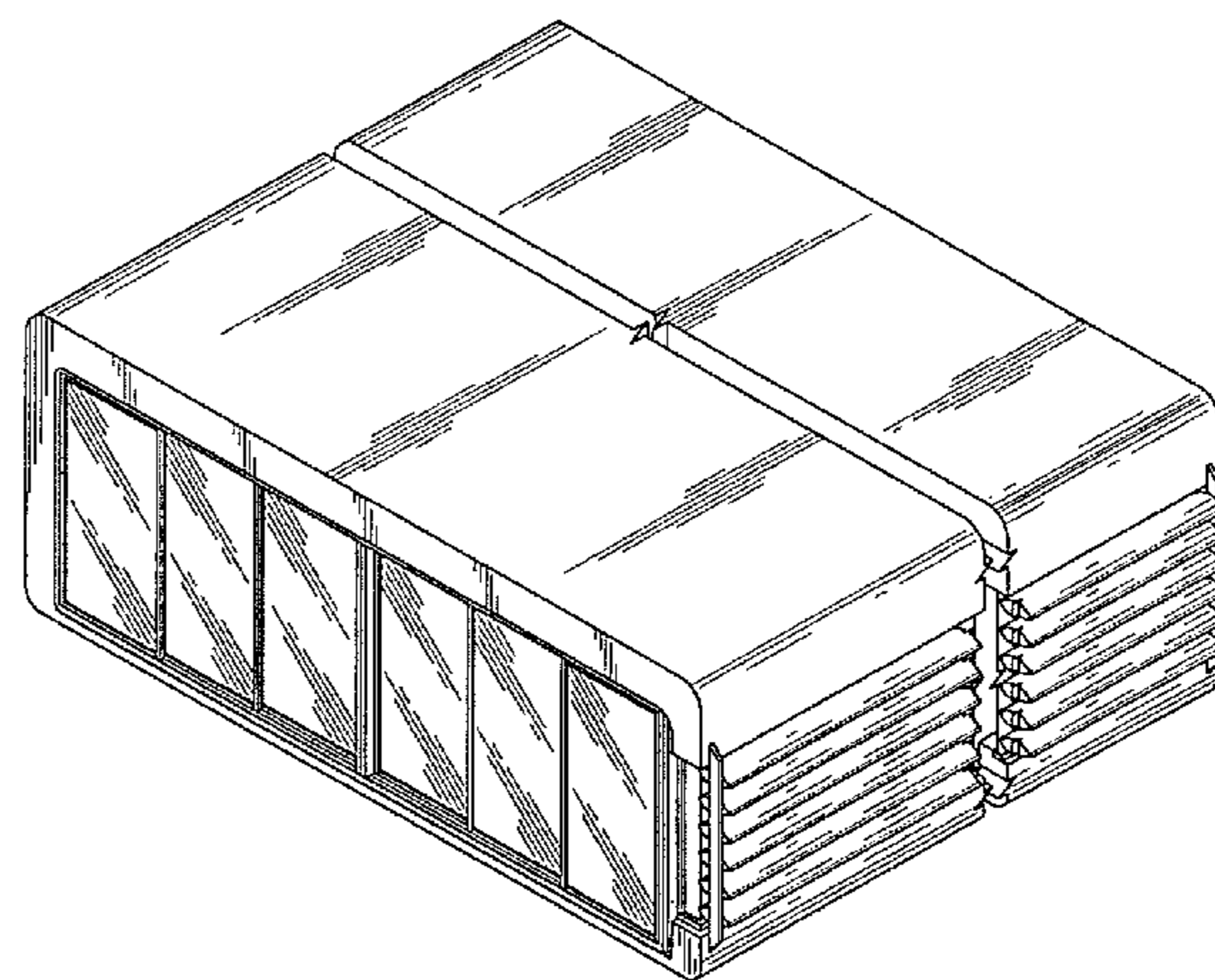
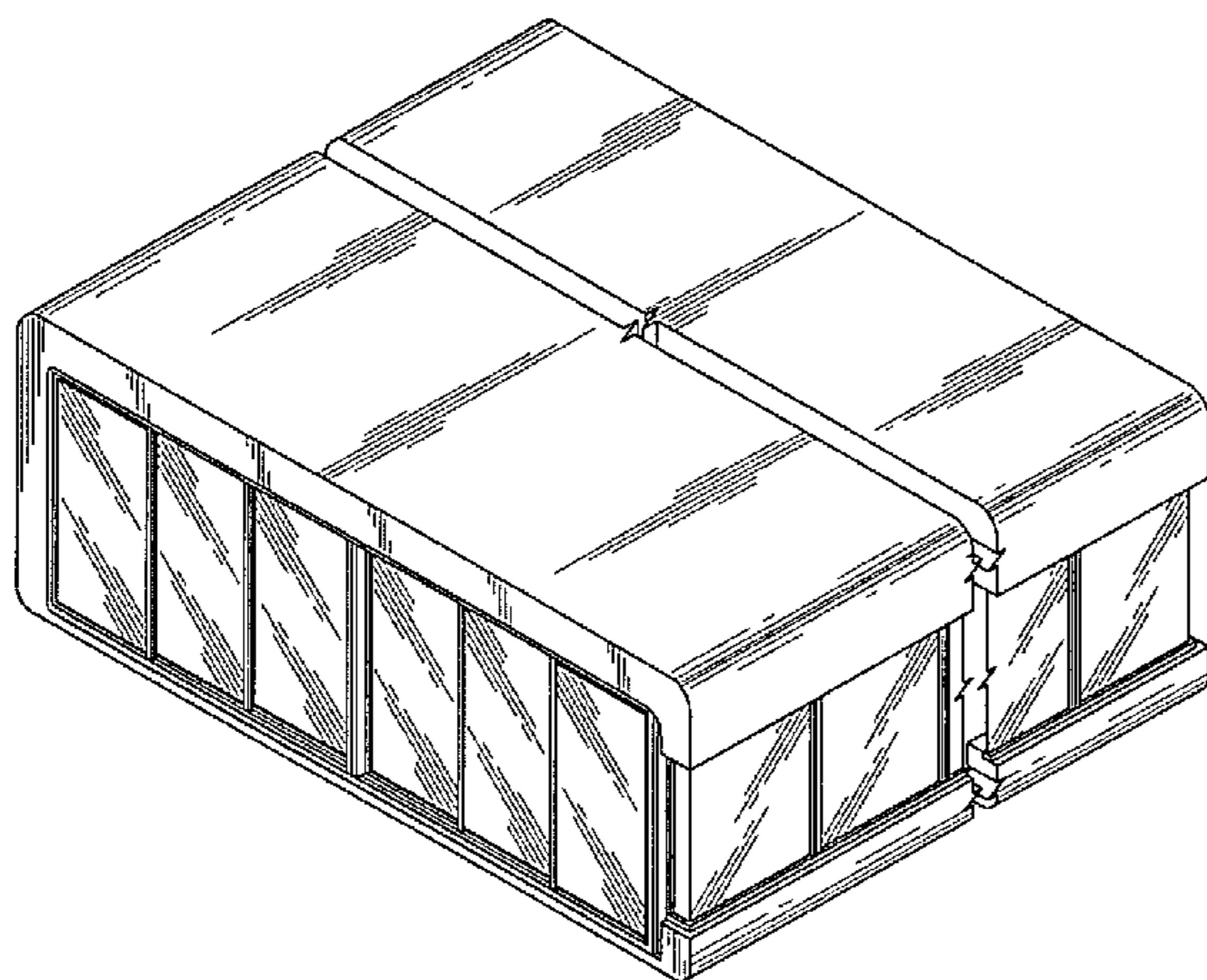
FIG. 6 is a rear perspective view of a second embodiment of a modular building, which is shown broken away to indicate that a specific length forms no part of the claimed design;

FIG. 7 is a front view thereof, the rear view being a mirror image thereof;

FIG. 8 is a right side view thereof; and,

FIG. 9 is a top plan view thereof, the bottom plan view being a mirror image thereof.

1 Claim, 3 Drawing Sheets



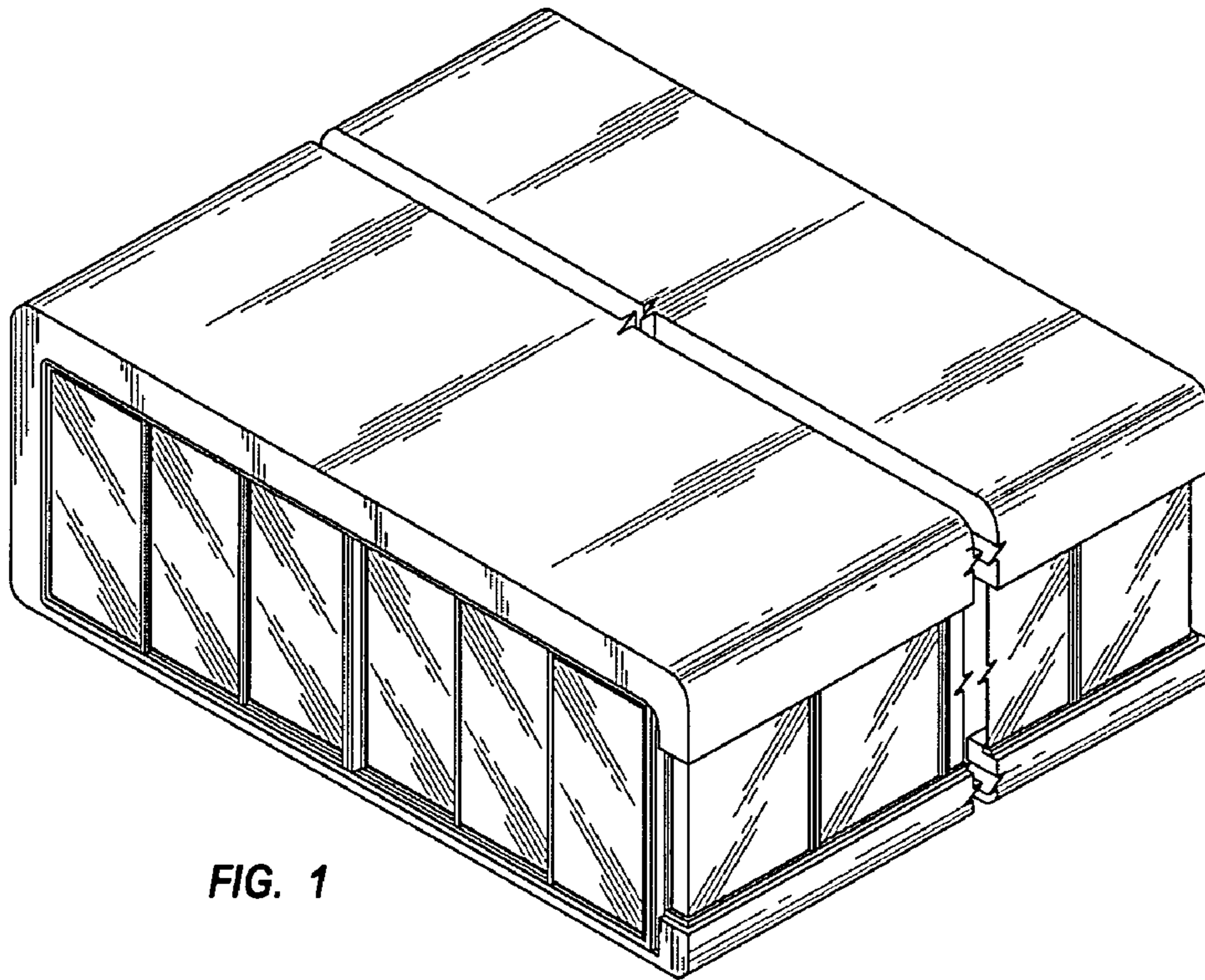


FIG. 1

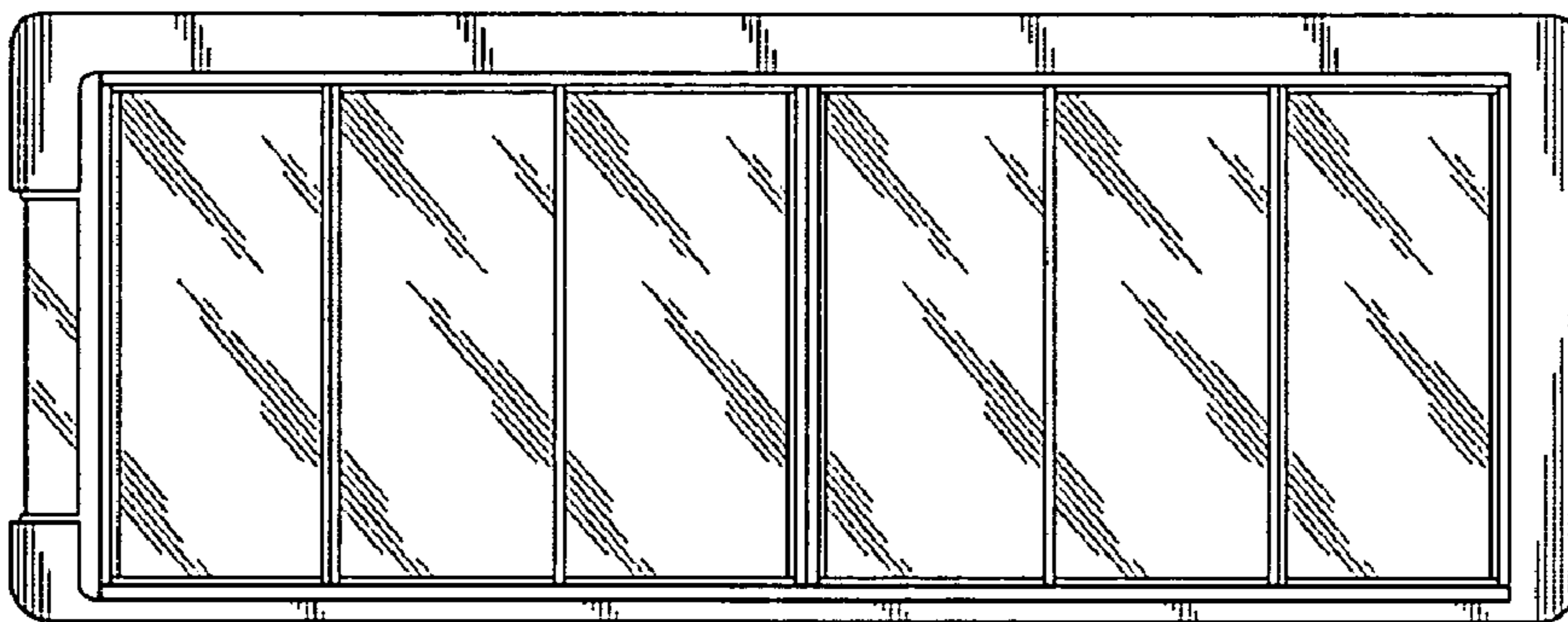


FIG. 2

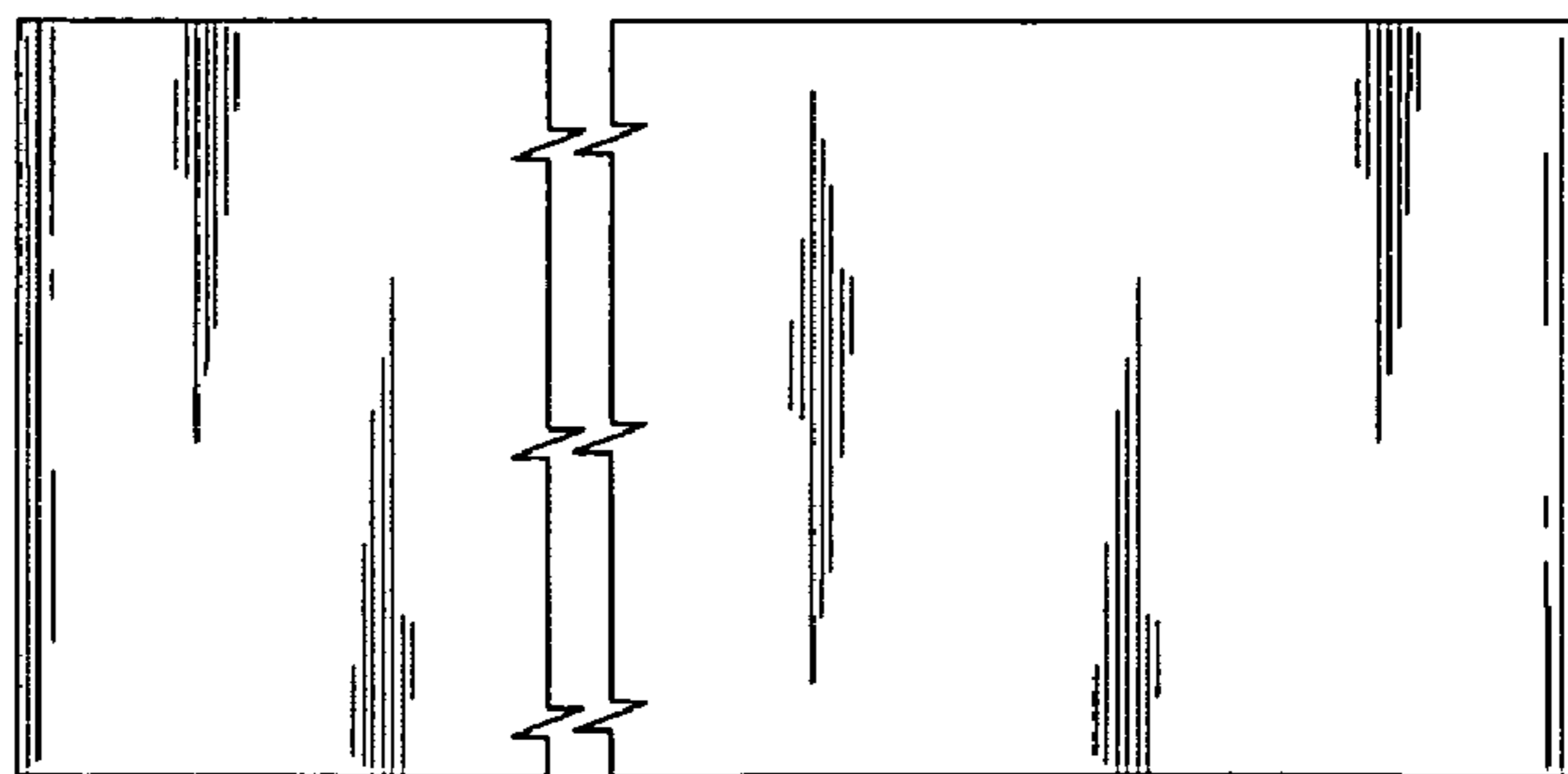


FIG. 3

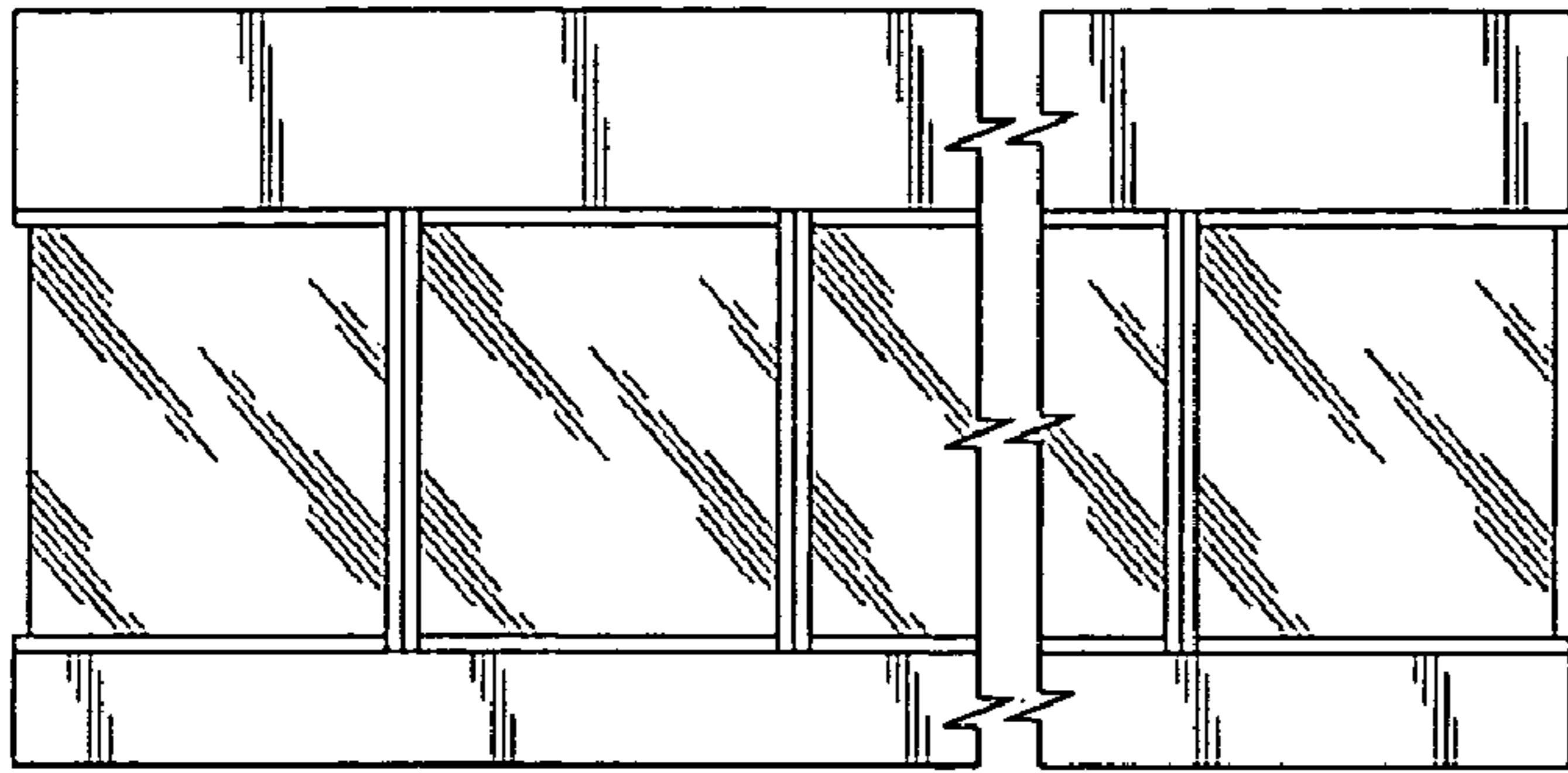


FIG. 4

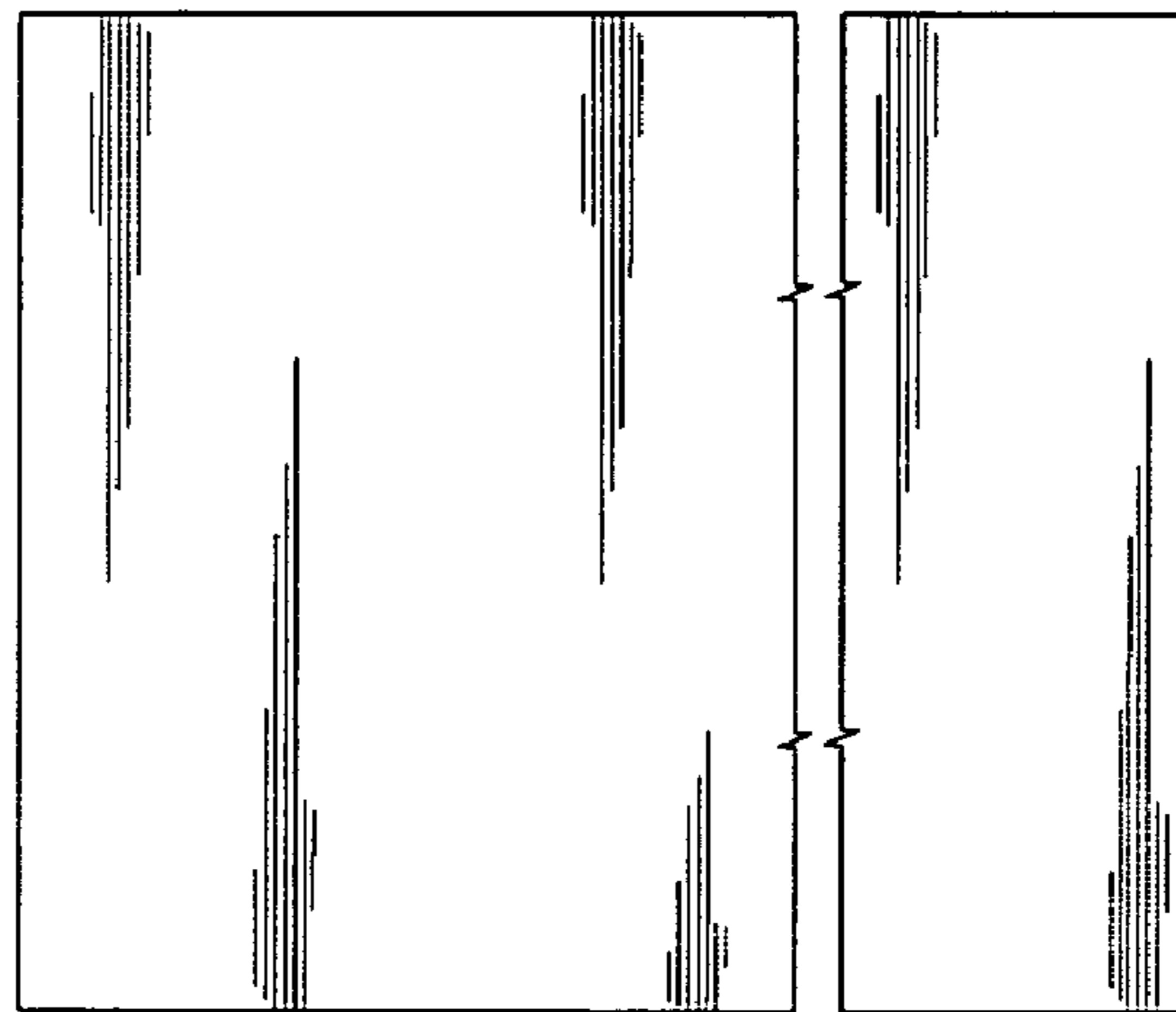


FIG. 5

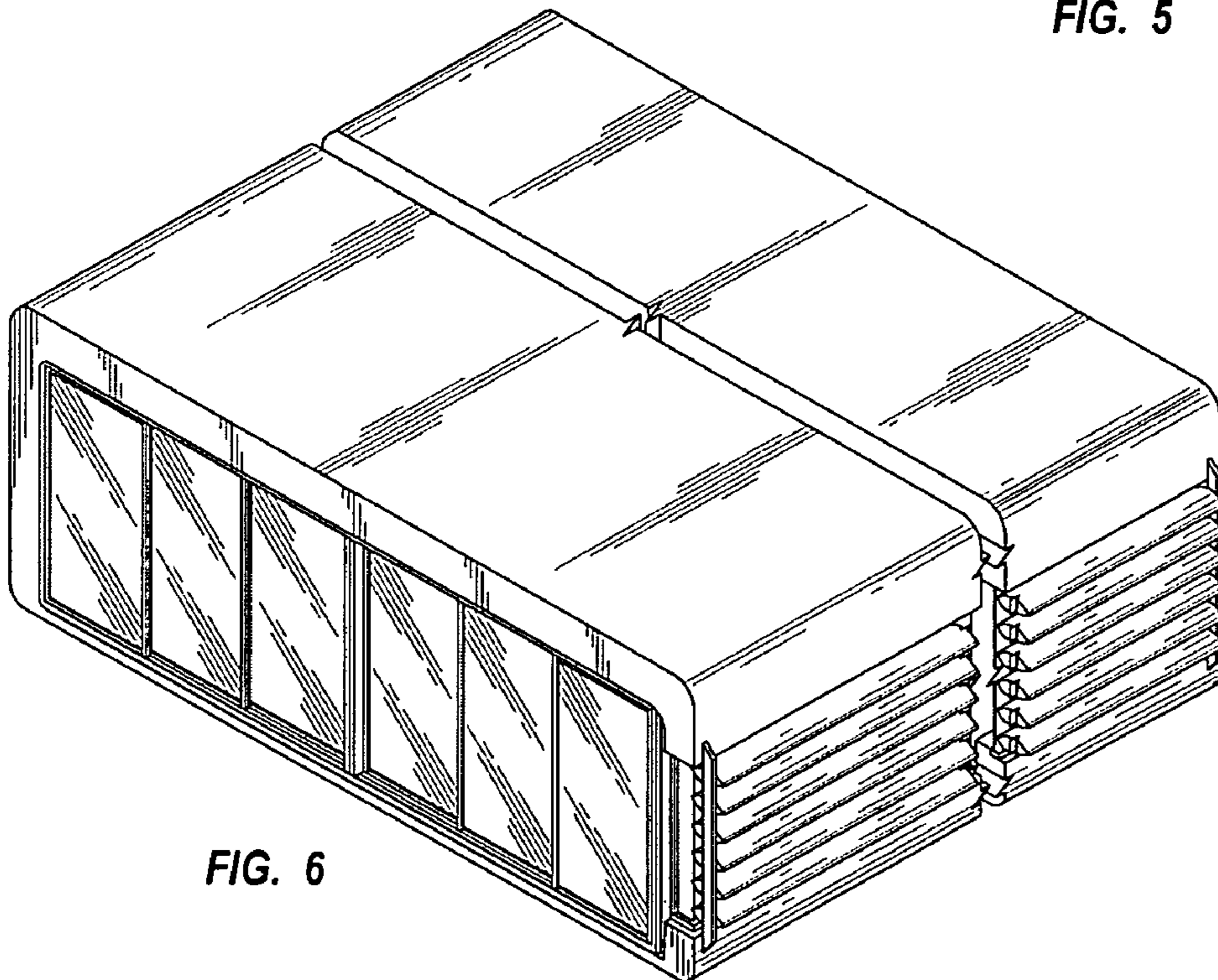


FIG. 6

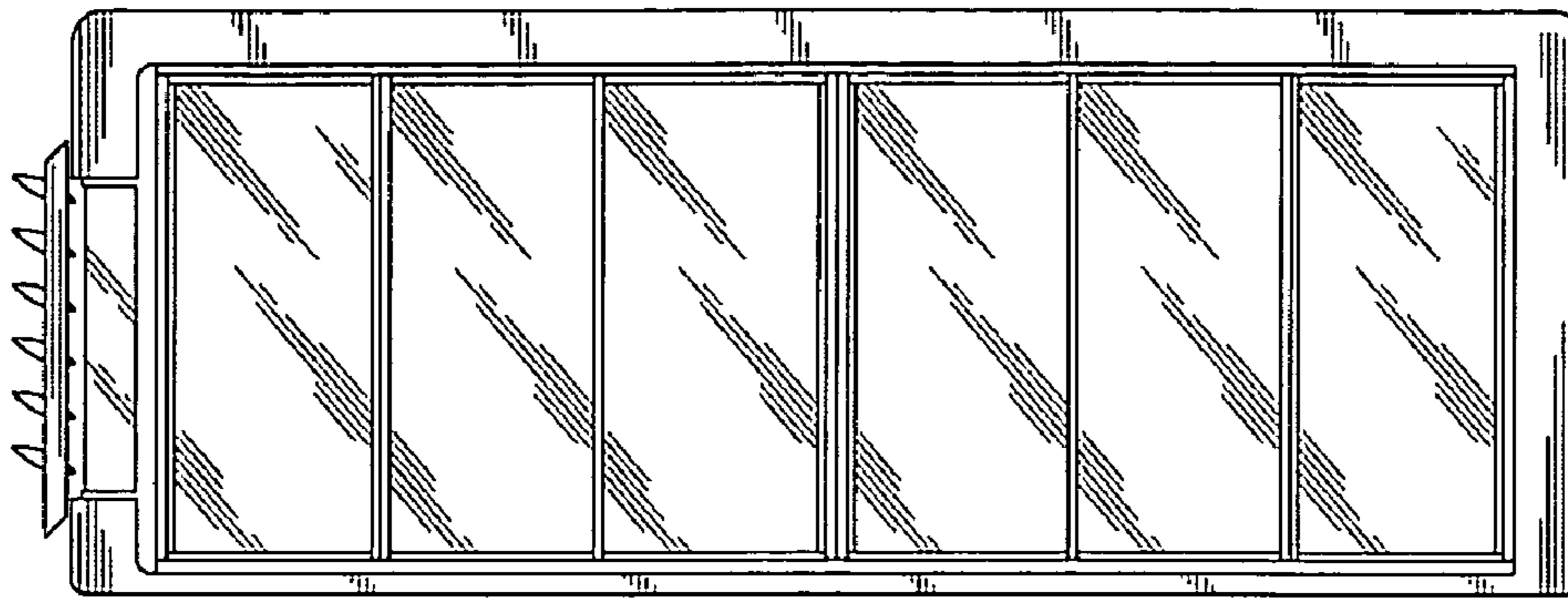


FIG. 7

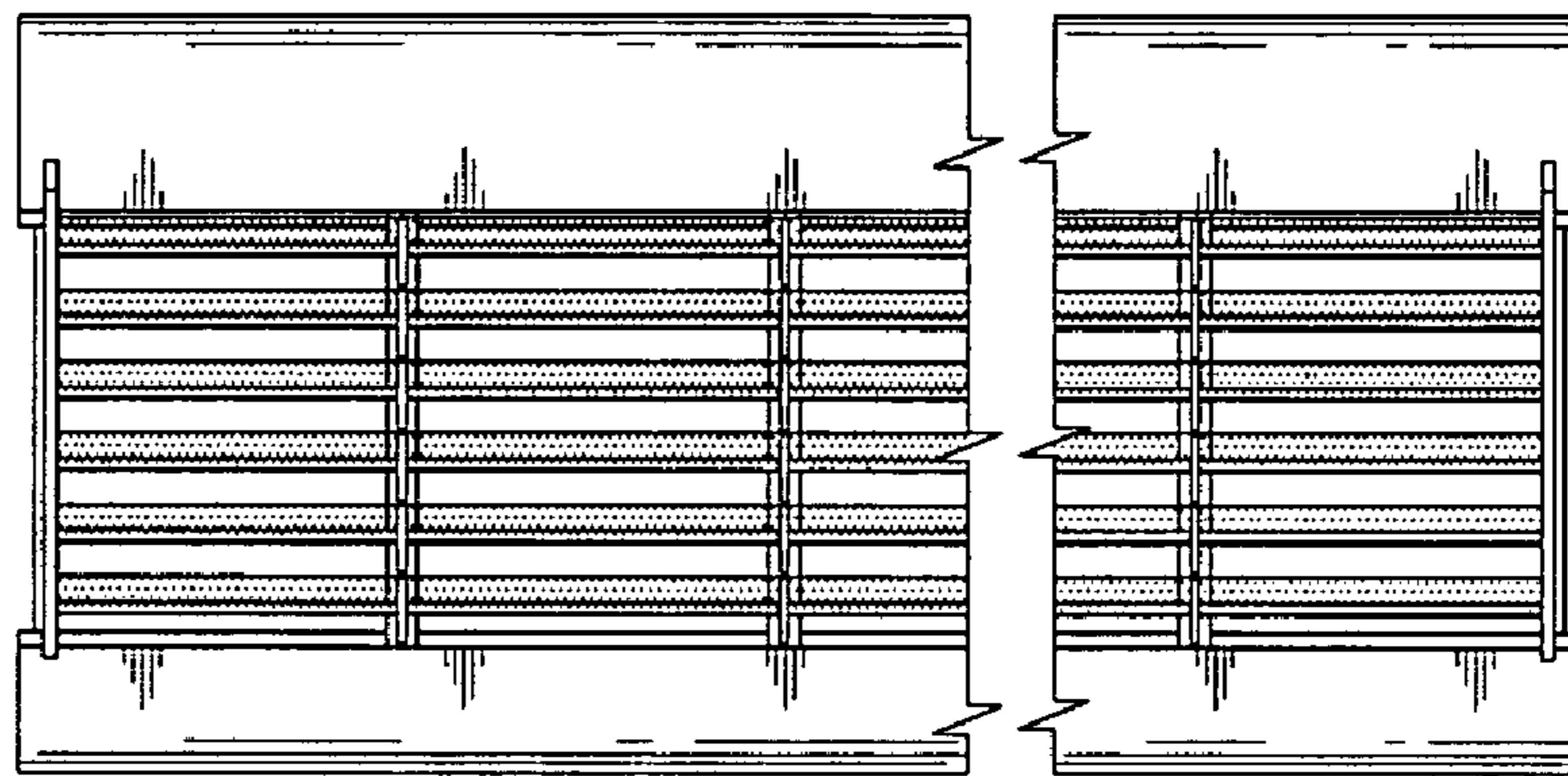


FIG. 8

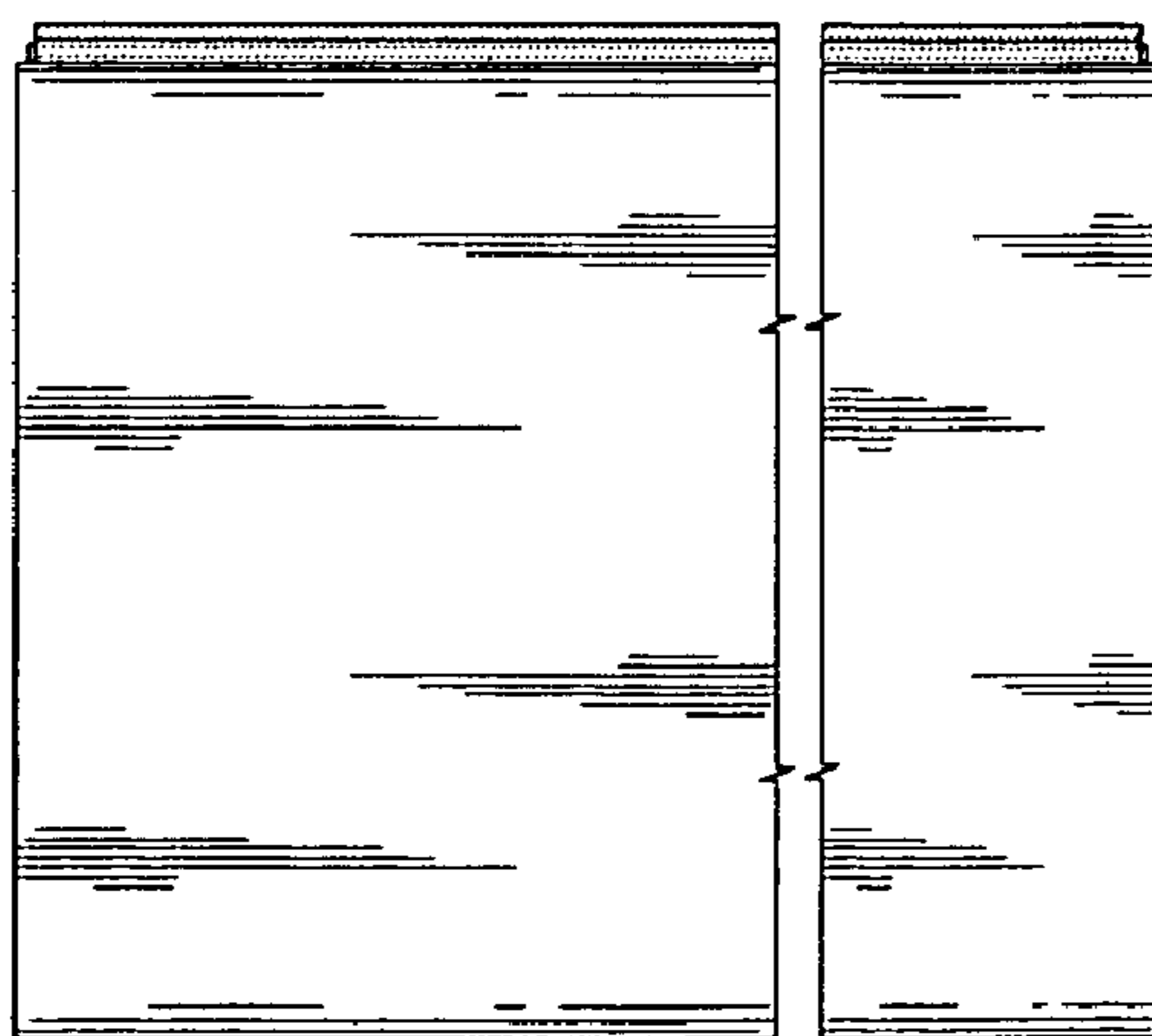


FIG. 9