

US00D596312S

(12) **United States Design Patent**  
**Giraud et al.**

(10) **Patent No.:** **US D596,312 S**

(45) **Date of Patent:** **\*\* Jul. 14, 2009**

(54) **VIAL RACK**

(75) Inventors: **Jean Pierre Giraud**, Paris (FR); **David Chedotal**, Greisheim Pres Molsheim (FR)

(73) Assignee: **CSP Technologies, Inc.**, Amsterdam, NY (US)

(\*\*) Term: **14 Years**

(21) Appl. No.: **29/319,756**

(22) Filed: **Jun. 13, 2008**

(51) **LOC (9) Cl.** ..... **24-02**

(52) **U.S. Cl.** ..... **D24/230**

(58) **Field of Classification Search** ..... D24/108,  
D24/127-130, 216, 224, 227-232; 422/63-64,  
422/99-104, 250, 266, 297, 300, 476; 211/69,  
211/71-72, 74, 71.01

See application file for complete search history.

(56) **References Cited**

**U.S. PATENT DOCUMENTS**

D333,522 S	*	2/1993	Gianino	.....	D24/229
D413,391 S	*	8/1999	Lapeus et al.	.....	D24/230
D413,677 S	*	9/1999	Dumitrescu et al.	.....	D24/227
D417,009 S	*	11/1999	Boyd	.....	D24/227
D420,747 S	*	2/2000	Dumitrescu et al.	.....	D24/229
D421,130 S	*	2/2000	Cohen et al.	.....	D24/229
D428,497 S	*	7/2000	Lapeus et al.	.....	D24/227
D433,759 S	*	11/2000	Mathis et al.	.....	D24/227
D484,989 S	*	1/2004	Gebrian	.....	D24/230
D500,363 S	*	12/2004	Fanning et al.	.....	D24/229
D534,280 S	*	12/2006	Gomm et al.	.....	D24/224
D560,811 S	*	1/2008	Powell et al.	.....	D24/216

\* cited by examiner

*Primary Examiner*—T. Chase Nelson

*Assistant Examiner*—Mark Cavanna

(74) *Attorney, Agent, or Firm*—McAndrews, Held & Malloy, Ltd.

(57) **CLAIM**

The ornamental design for a vial rack, as shown and described.

**DESCRIPTION**

FIG. 1 is a front elevation view of a first embodiment of our new design for a vial rack, the rear elevation view being a mirror image thereof;

FIG. 2 is a right side elevation view thereof;

FIG. 3 is a left side elevation view thereof;

FIG. 4 is a top plan view thereof;

FIG. 5 is a bottom plan view thereof;

FIG. 6 is a front right bottom perspective view thereof;

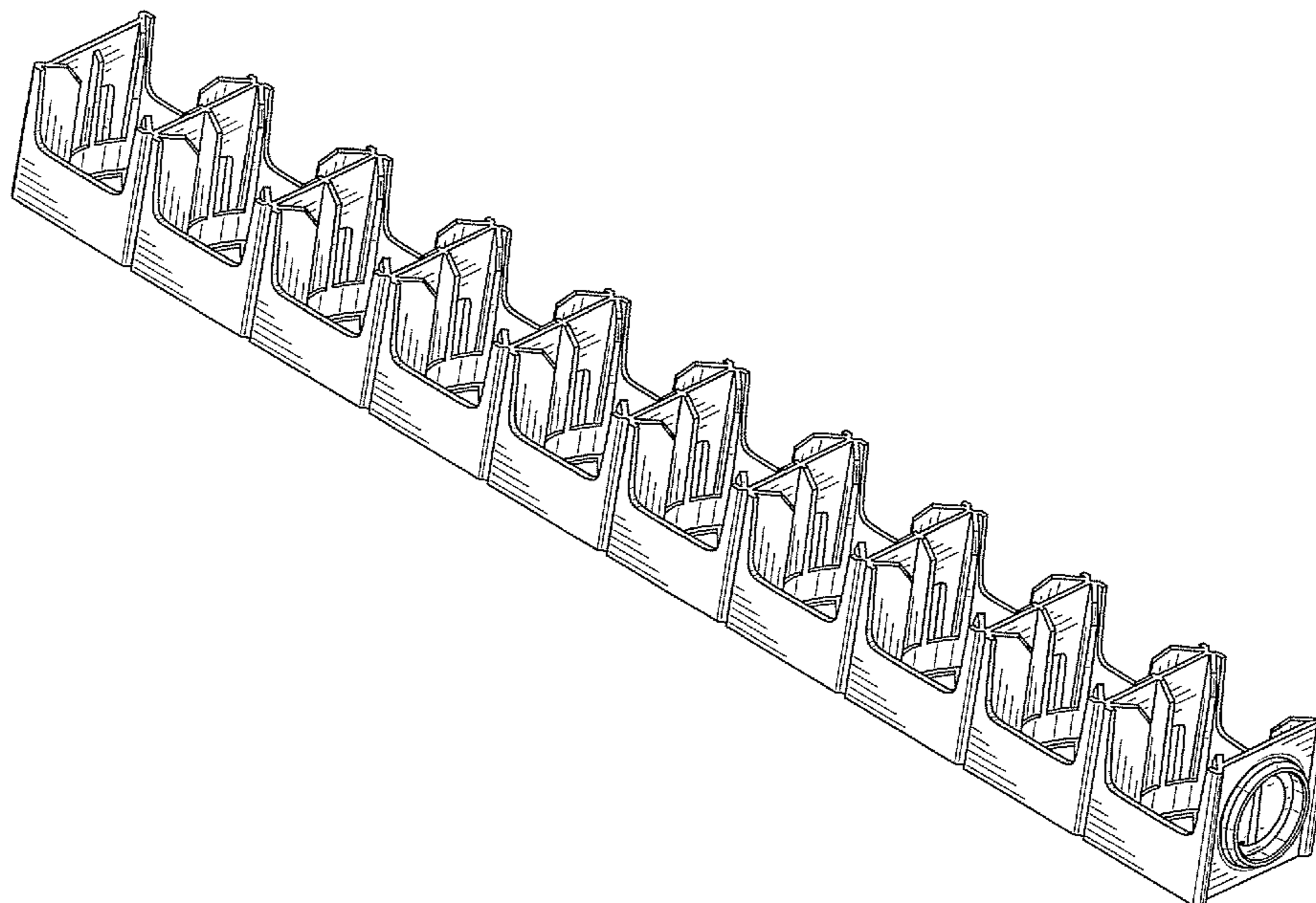
FIG. 7 is a front right top perspective view thereof;

FIG. 8 is a front right top perspective view thereof; and,

FIG. 9 is front right top perspective view of a second embodiment of our new design for a vial rack. This differs from the first embodiment in that it depicts a different number of vial compartments, and is shown broken away to indicate that a specific number of vial compartments throughout its length forms no part of the claimed design.

The broken lines shown in FIG. 8 are environmental and form no part of the claimed design.

**1 Claim, 7 Drawing Sheets**



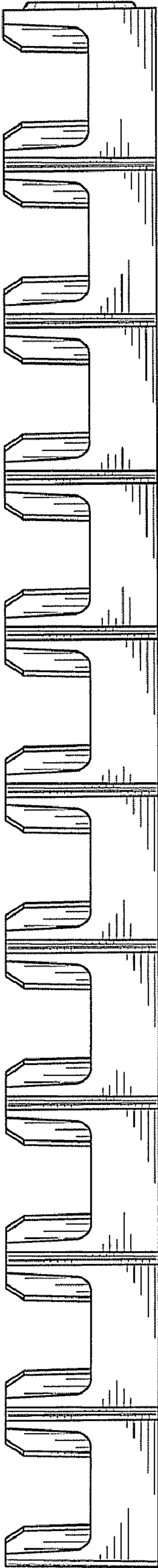


FIG. 1

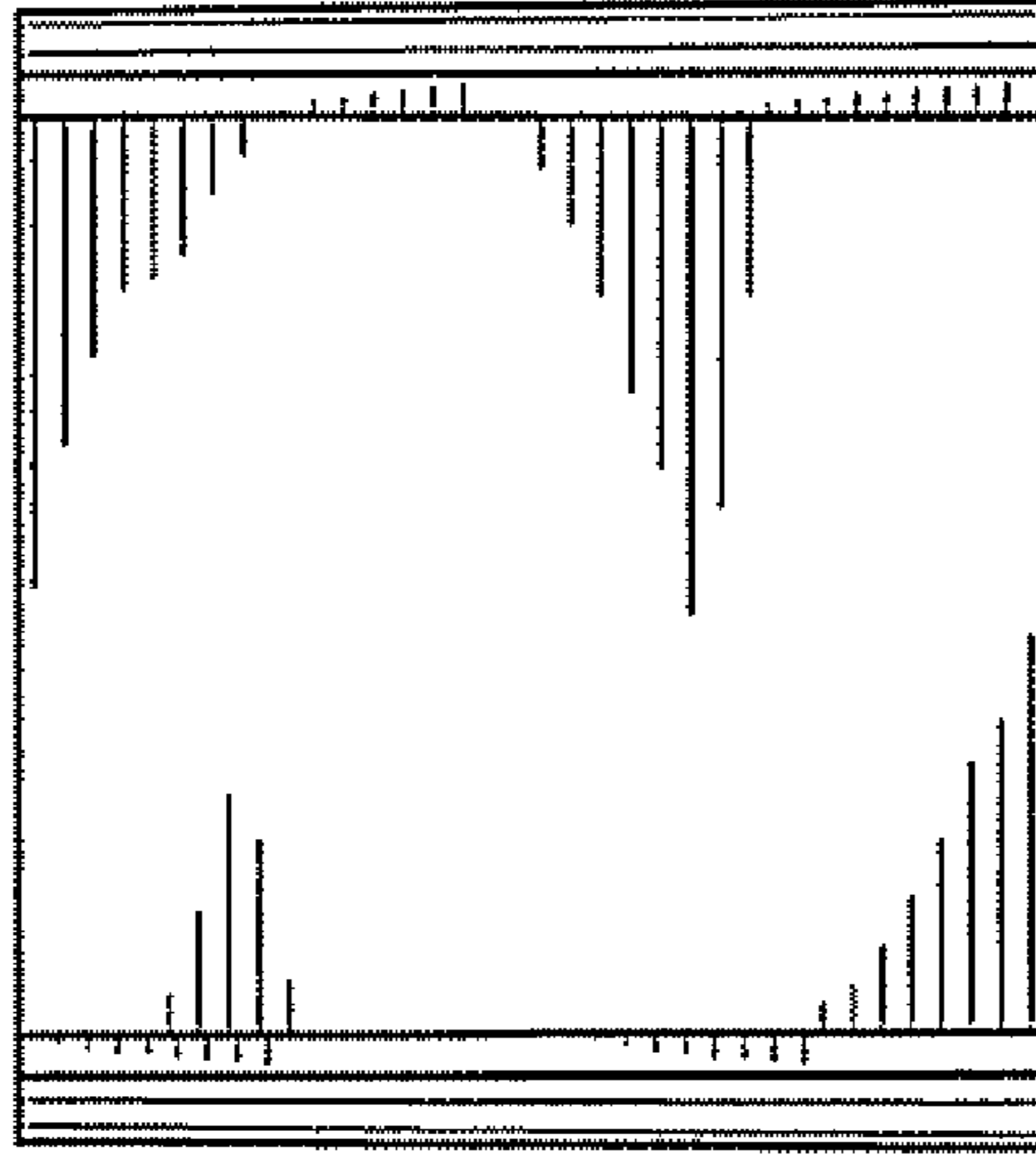


FIG. 2

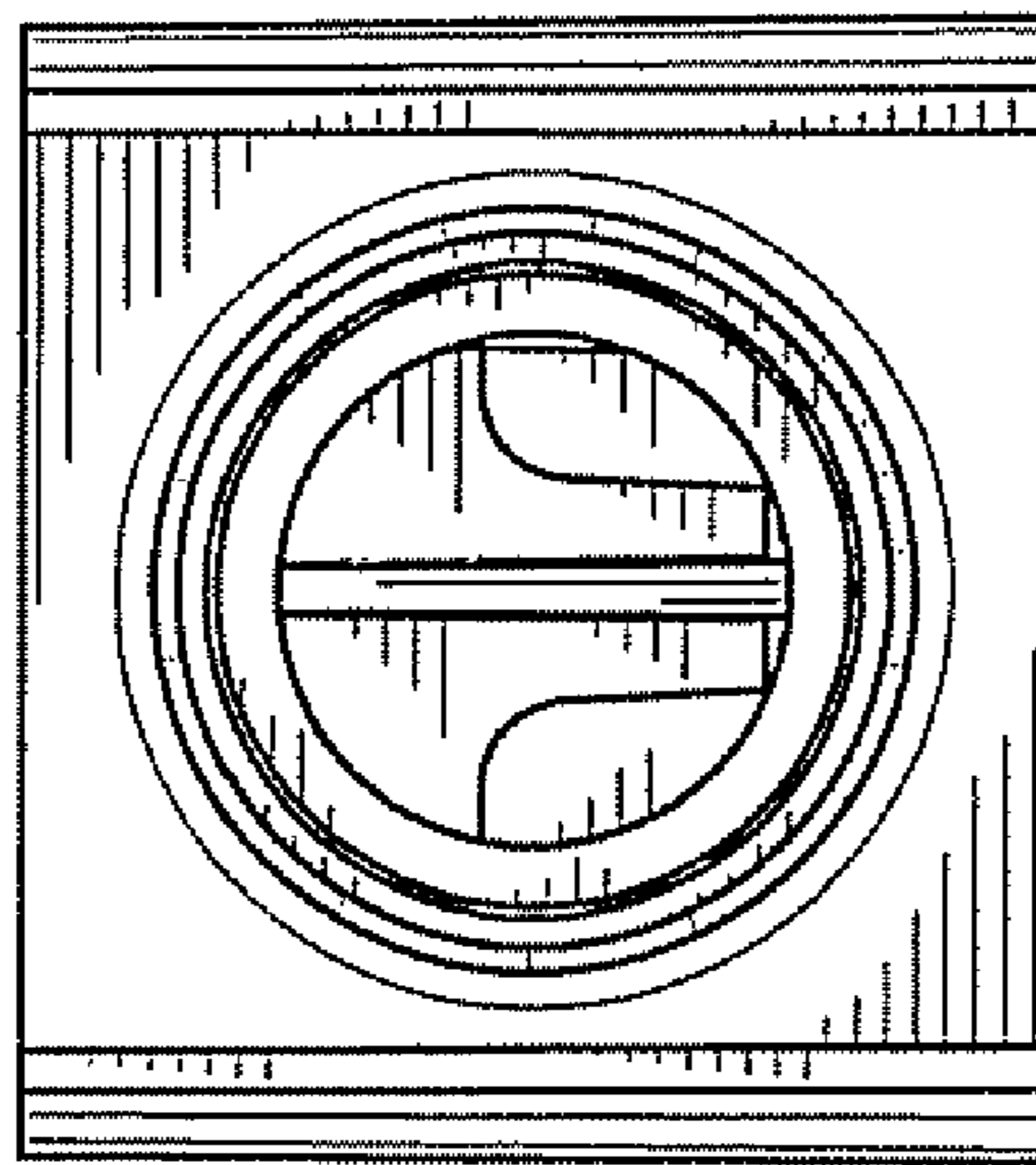


FIG. 3

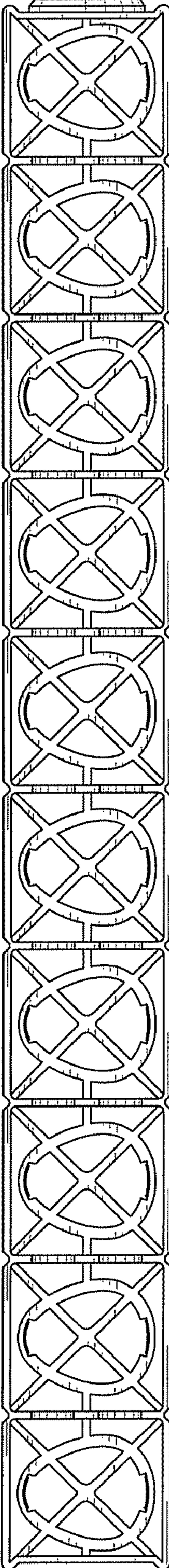


FIG. 4

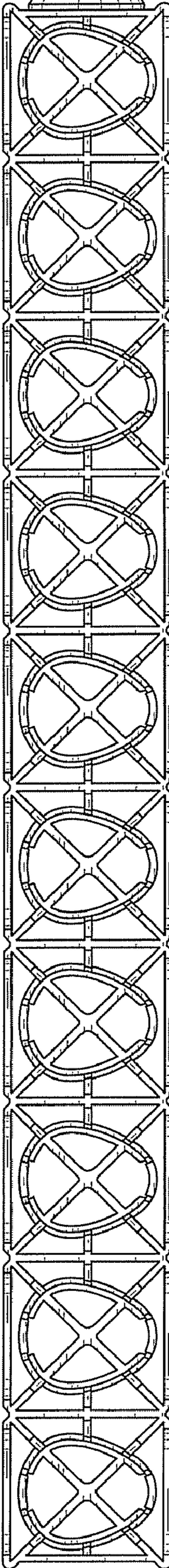


FIG. 5

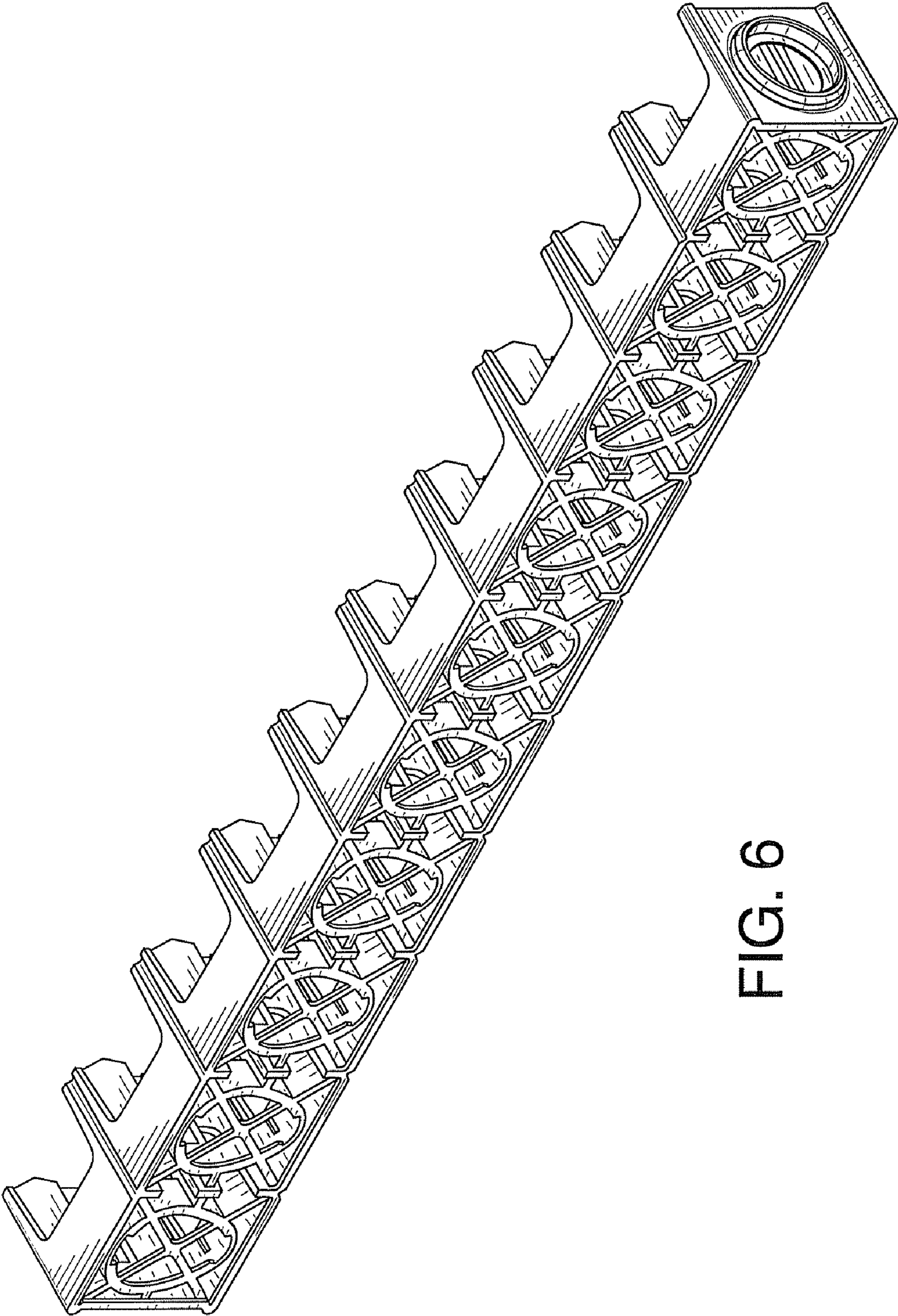


FIG. 6

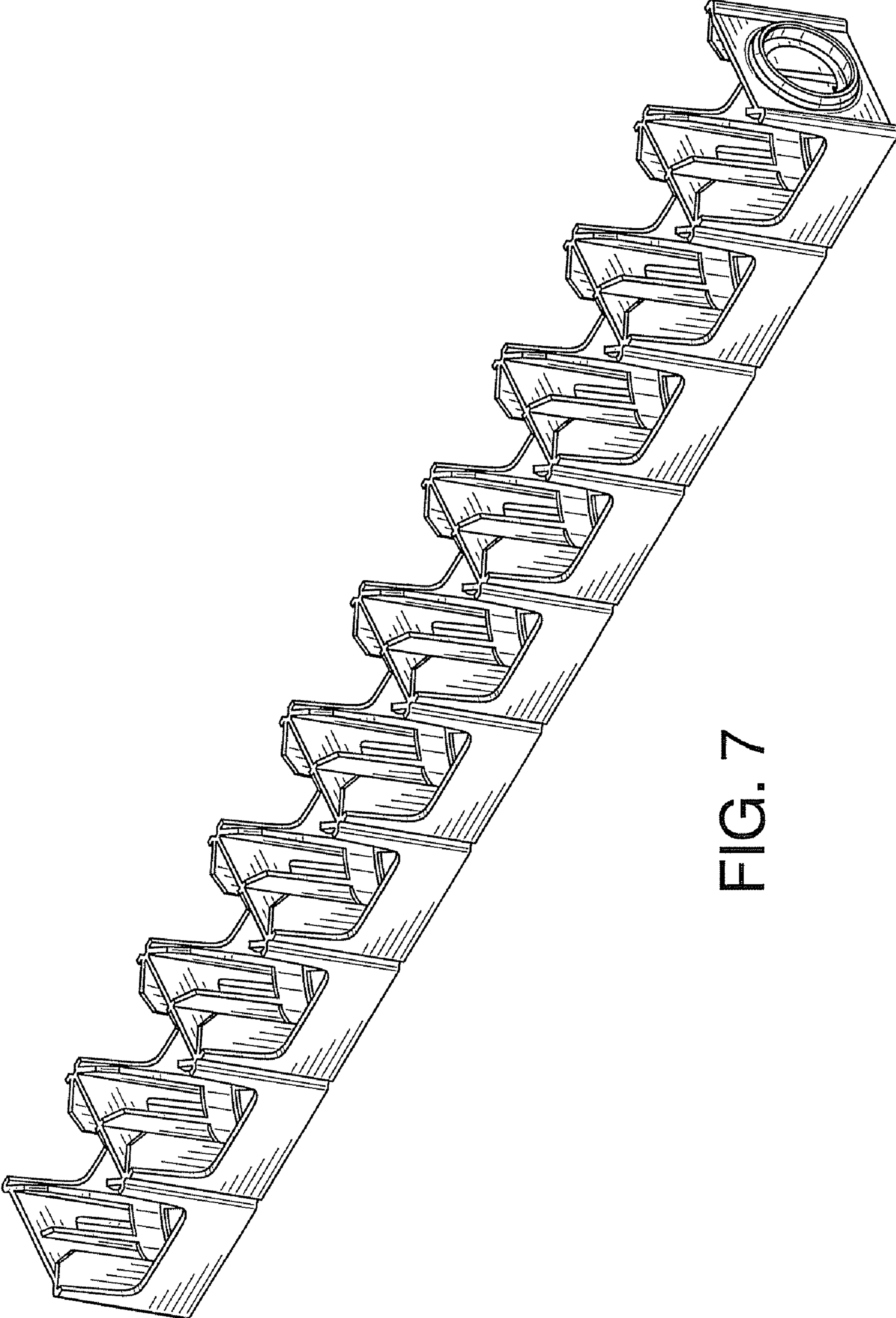


FIG. 7

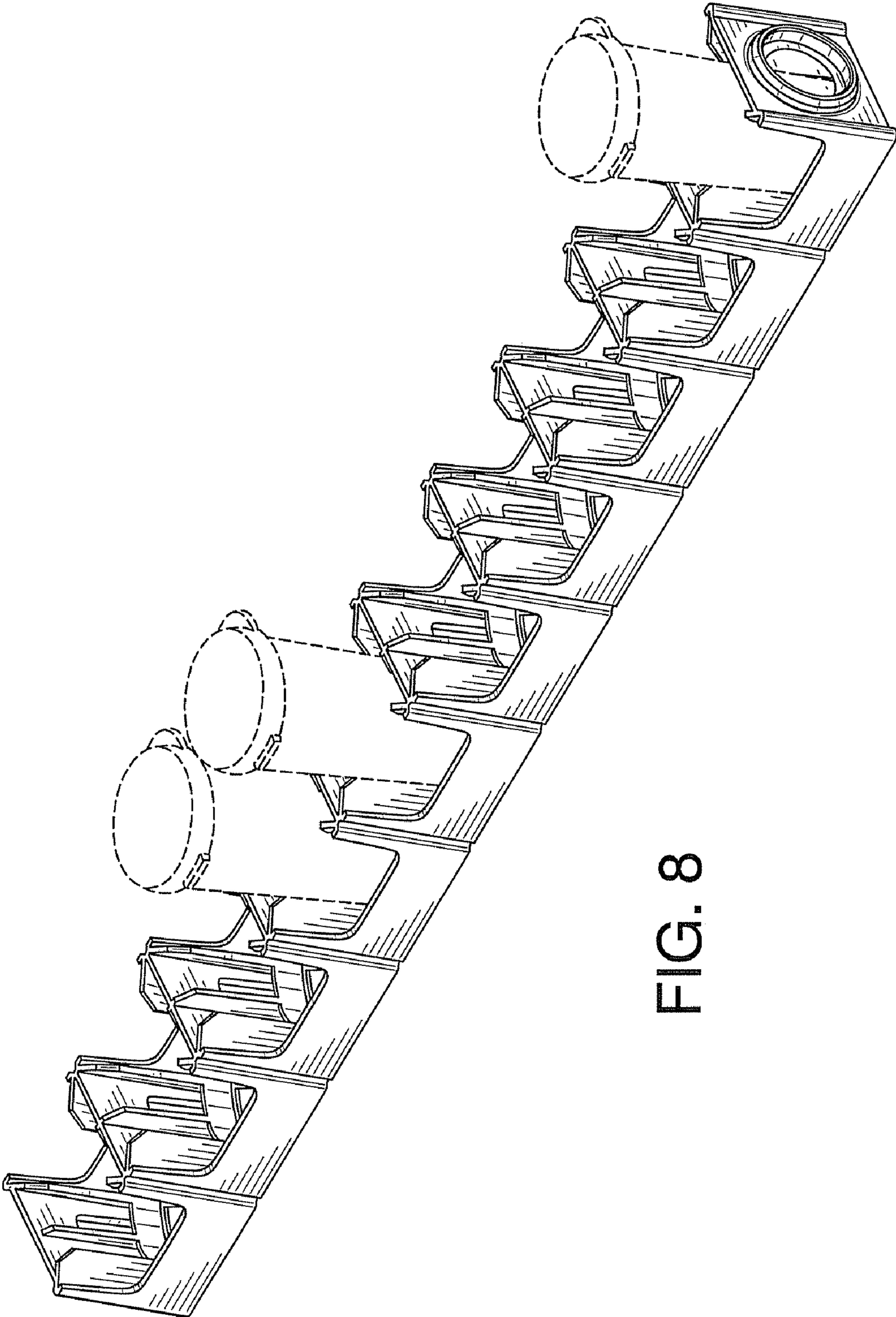


FIG. 8

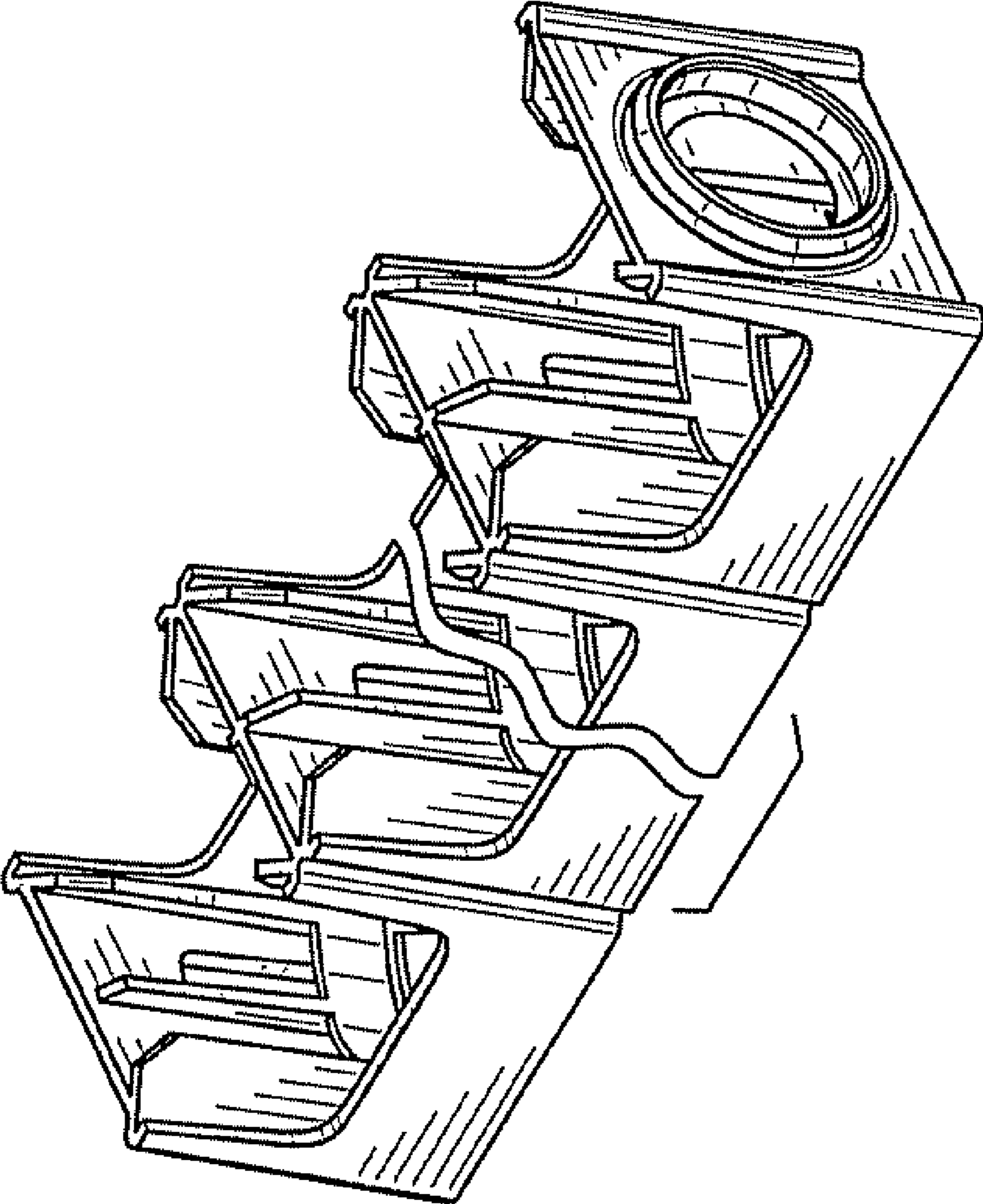


FIG. 9