



US00D596309S

(12) **United States Design Patent**
Tien et al.

(10) **Patent No.:** **US D596,309 S**
(45) **Date of Patent:** **** Jul. 14, 2009**

(54) **MAGNETIC STIRRER**

(76) Inventors: **Linsheng W. Tien**, 8 Arbusto, Irvine, CA (US) 92606; **Nick J. Manesis**, 2444 Camino de Jugar, San Ramon, CA (US) 94583; **Gene H. Huang**, 5131 Chateau Cir., Irvine, CA (US) 92604

(**) Term: **14 Years**

(21) Appl. No.: **29/322,607**

(22) Filed: **Aug. 7, 2008**

(51) **LOC (9) Cl.** **24-01**

(52) **U.S. Cl.** **D24/220**

(58) **Field of Classification Search** D24/216–226,
D24/121; 422/99, 102; 366/243, 244, 247,
366/249, 251, 273, 274, 276–279

See application file for complete search history.

(56) **References Cited**

U.S. PATENT DOCUMENTS

D231,981 S *	7/1974	Paulsen	D24/219
3,850,580 A *	11/1974	Moore et al.	422/99
D343,904 S *	2/1994	Silver et al.	D24/219
D358,659 S *	5/1995	Rohrabacher	D24/220
5,934,179 A *	8/1999	Schmid et al.	366/279
6,523,993 B2 *	2/2003	Williams et al.	366/197
D472,323 S *	3/2003	Sand	D24/220
6,572,262 B1 *	6/2003	Russel-Smith	366/279
D558,888 S *	1/2008	Ware	D24/216

D561,345 S * 2/2008 Flick D24/220
D571,479 S * 6/2008 Wagner D24/220
7,396,153 B2 * 7/2008 Andersson 366/273

* cited by examiner

Primary Examiner—T. Chase Nelson
Assistant Examiner—Anhdao Doan
(74) *Attorney, Agent, or Firm*—WPAT, P.C.; Anthony King

(57) **CLAIM**

The ornamental design for a magnetic stirrer set, as shown and described.

DESCRIPTION

The magnetic stirrer is typically used in a laboratory setting, and is placed inside of a beaker to stir liquid, or mixtures of liquid and solid. The magnetic Stirrer comprises a main central body for enclosing a magnet within the main central body. The magnet within the main central body interacts with a magnetic stirrer plate, on which the beaker is placed. The magnetic stirrer plate causes the magnetic stirrer to spin inside of the beaker. The main central body of the magnetic stirrer is coupled with a plurality of protruding pieces.

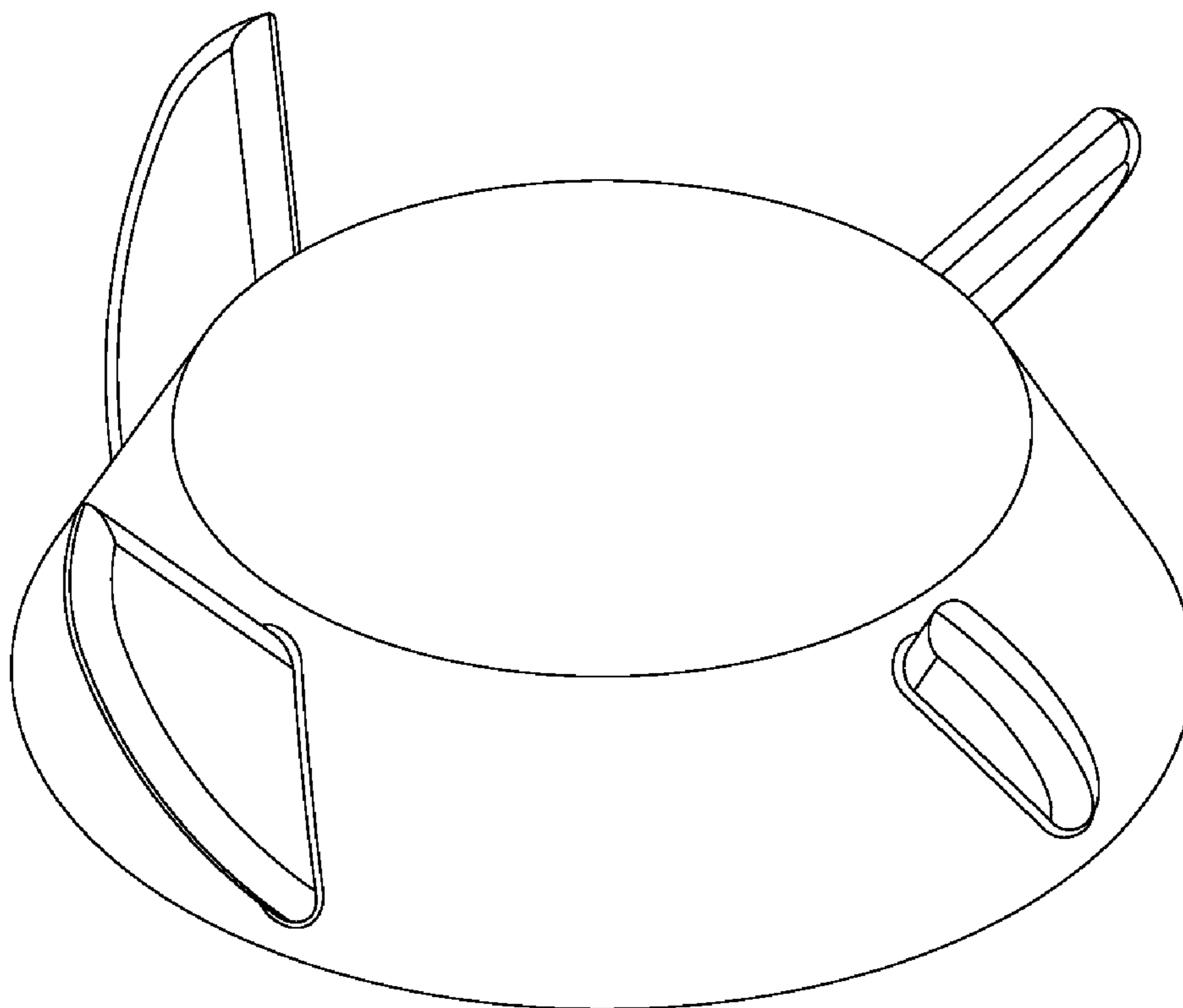
FIG. 1 is a top and side perspective view of a magnetic stirrer of the present invention;

FIG. 2 is a side elevational view thereof;

FIG. 3 is a top plan view thereof; and,

FIG. 4 is a bottom plan view thereof.

1 Claim, 2 Drawing Sheets



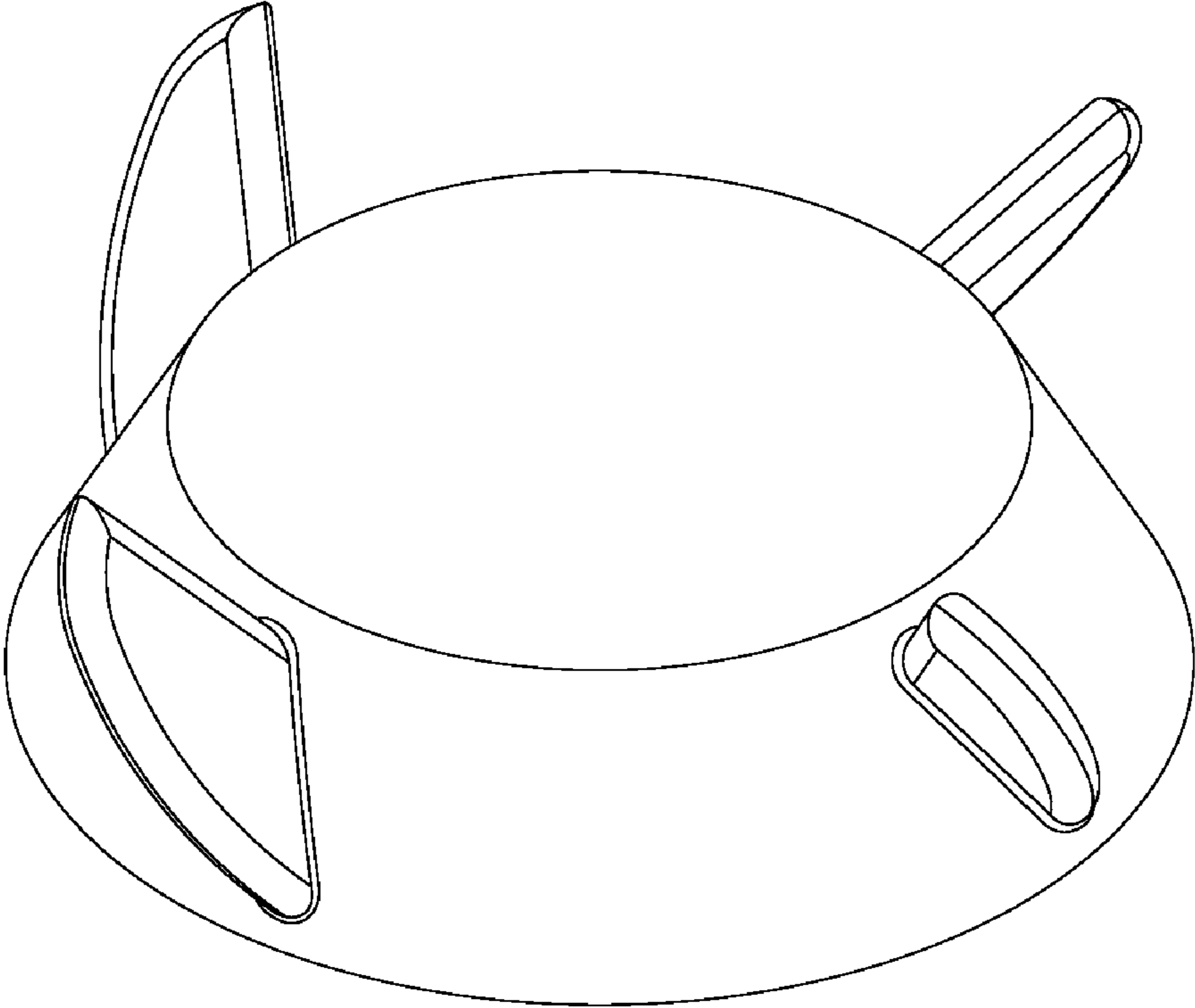


FIG. 1

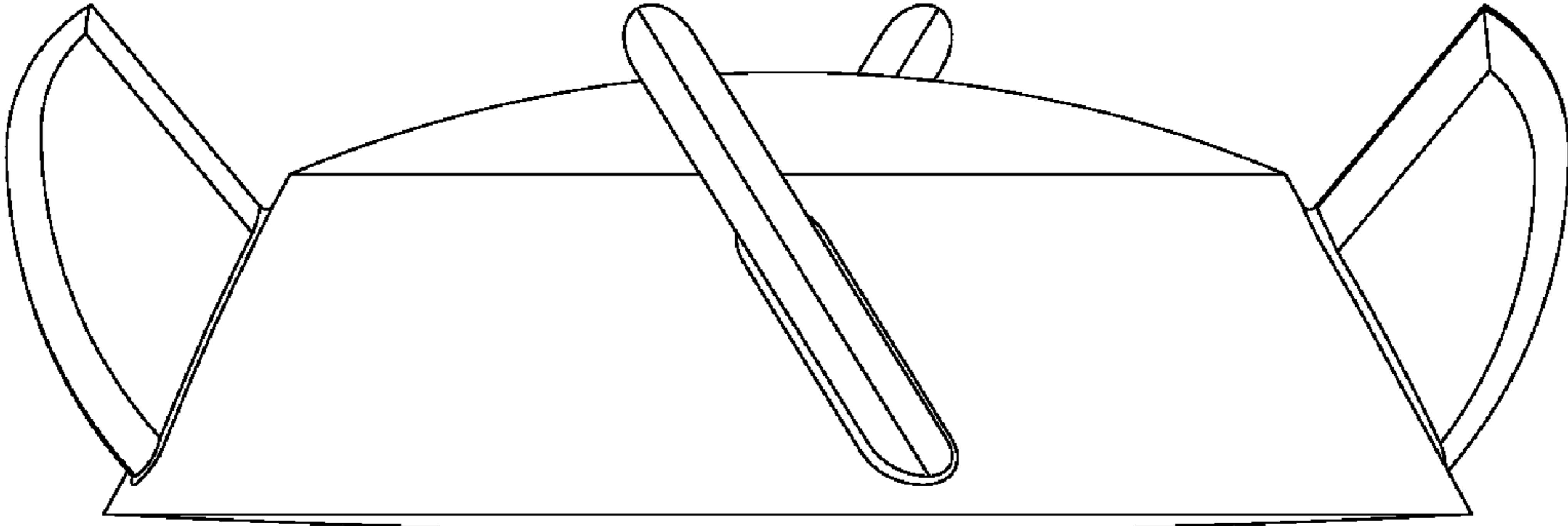


FIG. 2

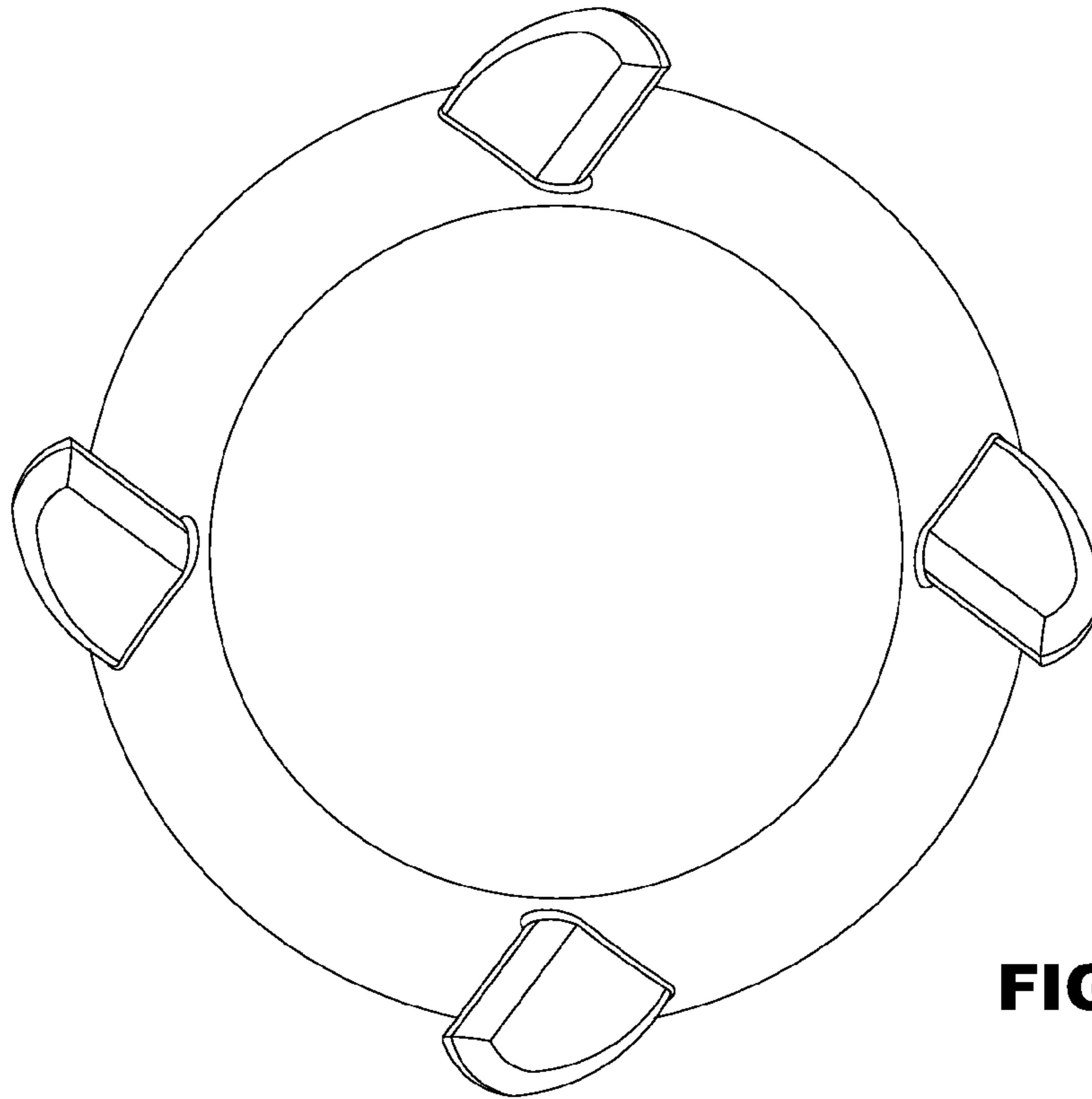


FIG. 3

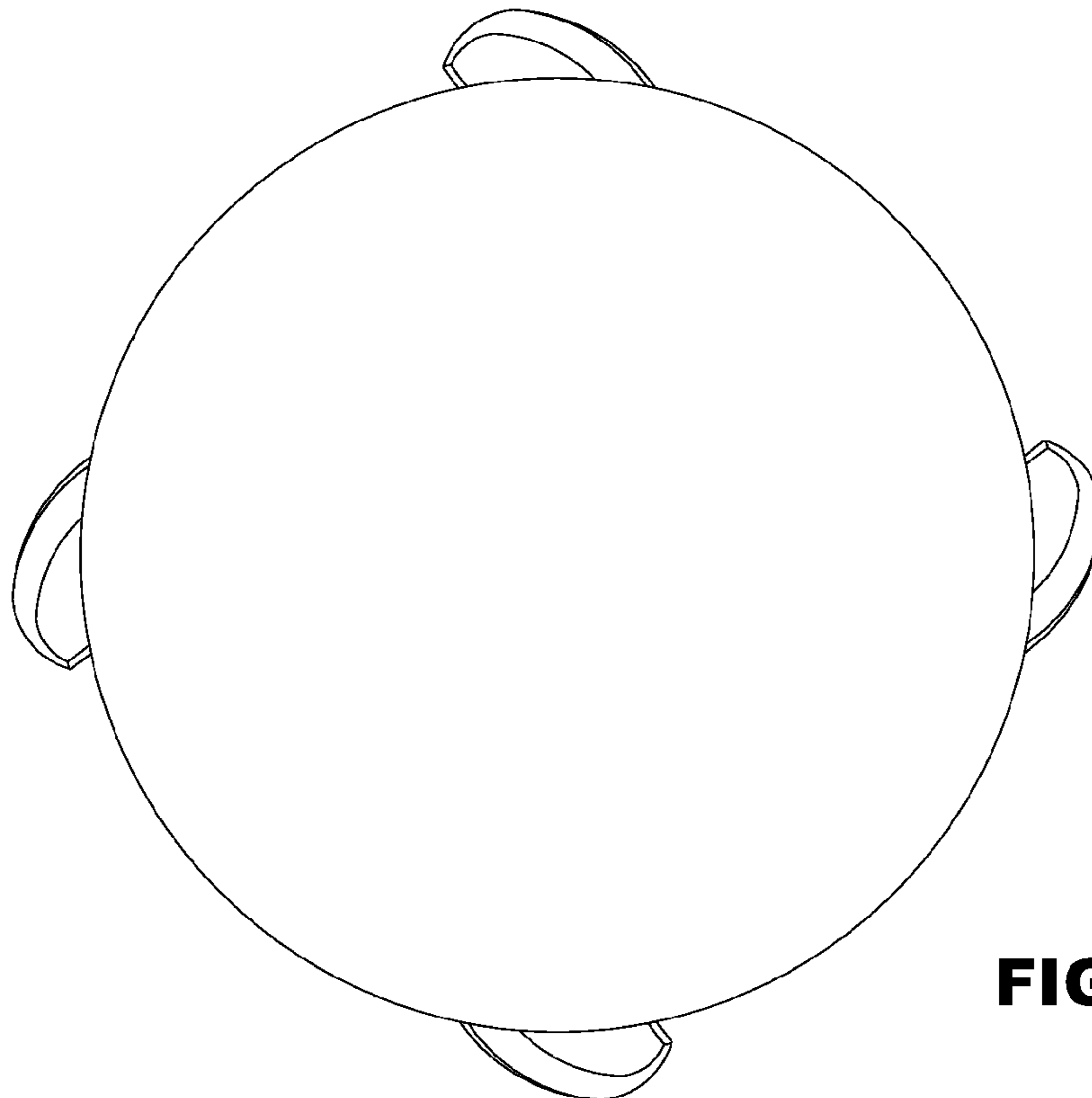


FIG. 4