



US00D596305S

(12) **United States Design Patent**
Usui et al.

(10) **Patent No.:** **US D596,305 S**
(45) **Date of Patent:** **** Jul. 14, 2009**

(54) **HEATING EXTERNAL APPLICATION MATERIAL**

(75) Inventors: **Kaoru Usui**, Tochigi (JP); **Yoshikazu Sakamaki**, Tochigi (JP); **Yukio Urume**, Tochigi (JP); **Kenichi Iwamoto**, Tochigi (JP)

(73) Assignee: **Mycoal Co., Ltd.**, Tochigi-shi (JP)

(**) Term: **14 Years**

(21) Appl. No.: **29/241,998**

(22) Filed: **Nov. 4, 2005**

(30) **Foreign Application Priority Data**

May 12, 2005 (JP) 2005-013595

(51) **LOC (9) Cl.** **28-03**

(52) **U.S. Cl.** **D24/206**

(58) **Field of Classification Search** D24/200, D24/206, 207, 208, 189, 127, 128; 128/DIG. 26, 128/DIG. 6; 206/528-540; 607/96, 108, 607/109, 110, 111, 114; 219/458.1, 460.1, 219/462.1, 463.1, 464.1; D7/362-363; D9/732, D9/737, 756, 759

See application file for complete search history.

(56) **References Cited**

U.S. PATENT DOCUMENTS

D339,743 S *	9/1993	Zellner et al.	D9/761
D383,213 S *	9/1997	Ingram	D24/206
D407,822 S *	4/1999	Davis et al.	D24/206
D417,146 S *	11/1999	St. Pierre et al.	D9/732
6,336,935 B1 *	1/2002	Davis et al.	607/112

D467,006 S *	12/2002	Knight et al.	D24/206
D526,722 S *	8/2006	Dodo et al.	D24/206
D527,829 S *	9/2006	Dodo et al.	D24/206
D533,463 S *	12/2006	Sheffield	D9/732
D548,110 S *	8/2007	Pugh	D9/732
D573,038 S *	7/2008	Picken	D9/737
2007/0227931 A1 *	10/2007	Shane	206/528

FOREIGN PATENT DOCUMENTS

JP	711445	5/1987
JP	1-87764	6/1989
JP	1198190	2/2004
JP	1207734	6/2004

* cited by examiner

Primary Examiner—Cathron C Brooks

Assistant Examiner—Melanie Levy

(74) *Attorney, Agent, or Firm*—Kratz, Quintos & Hanson, LLP

(57) **CLAIM**

The ornamental design for a heating external application material, as shown and described.

DESCRIPTION

FIG. 1 is a top plan view of a heating external application material showing our new design;

FIG. 2 is a rear elevational view thereof;

FIG. 3 is a front elevational view thereof;

FIG. 4 is a left side elevational view thereof;

FIG. 5 is a right side elevational view thereof;

FIG. 6 is a bottom plan view thereof; and,

FIG. 7 is a top perspective view thereof.

1 Claim, 4 Drawing Sheets

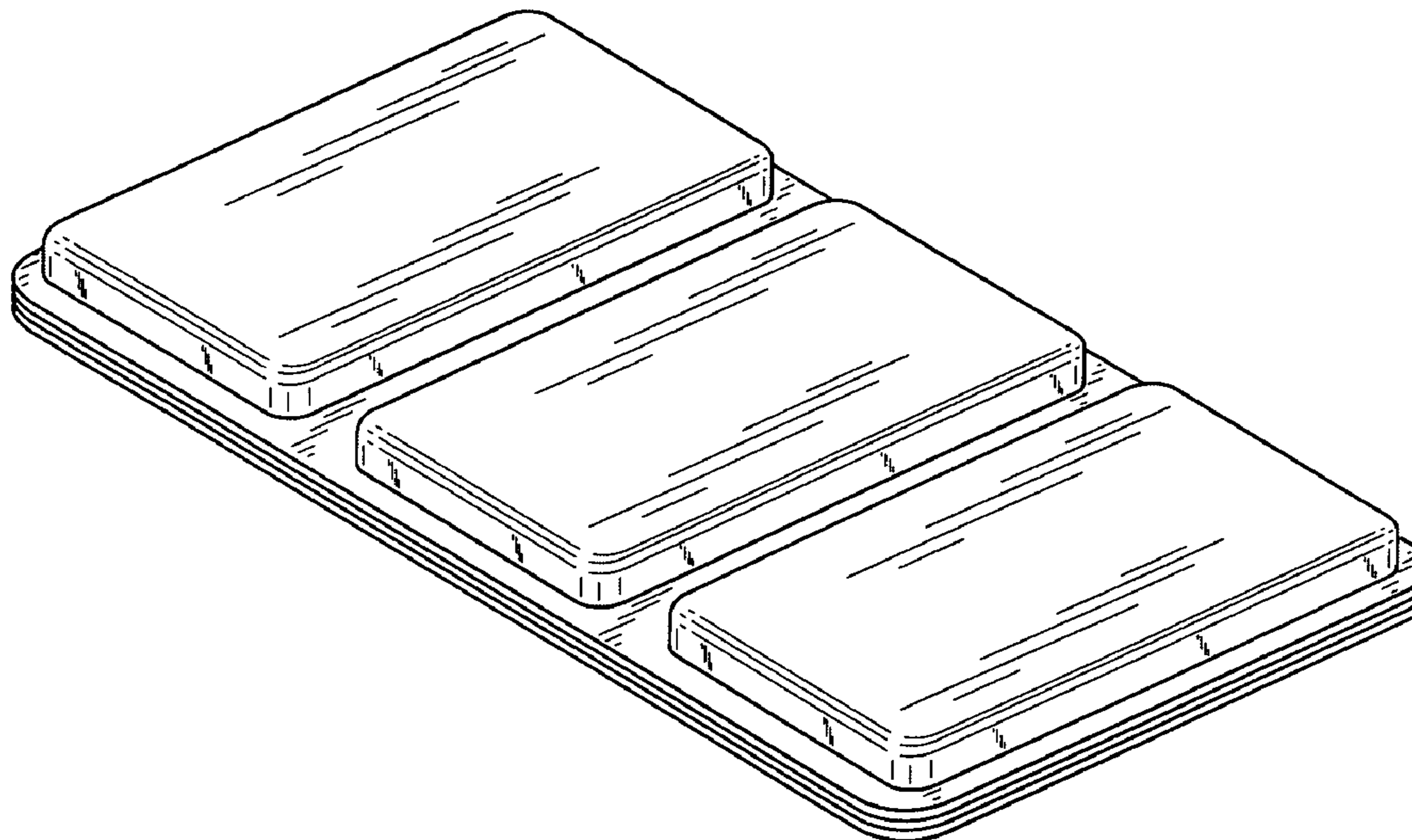


Fig. 1

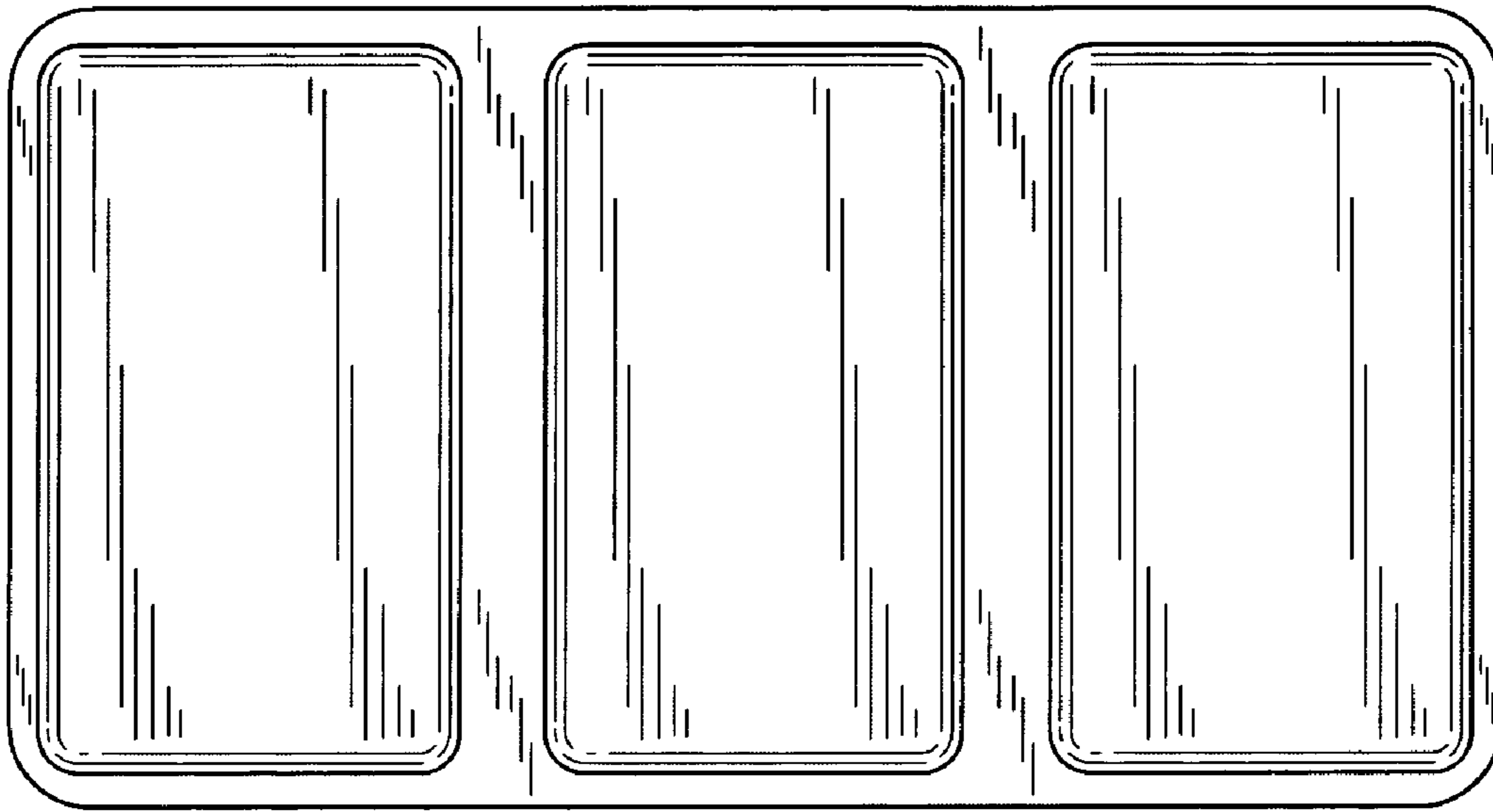


Fig. 2

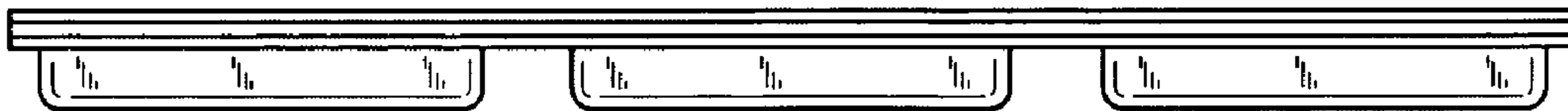


Fig. 3



Fig. 4



Fig. 5



Fig. 6

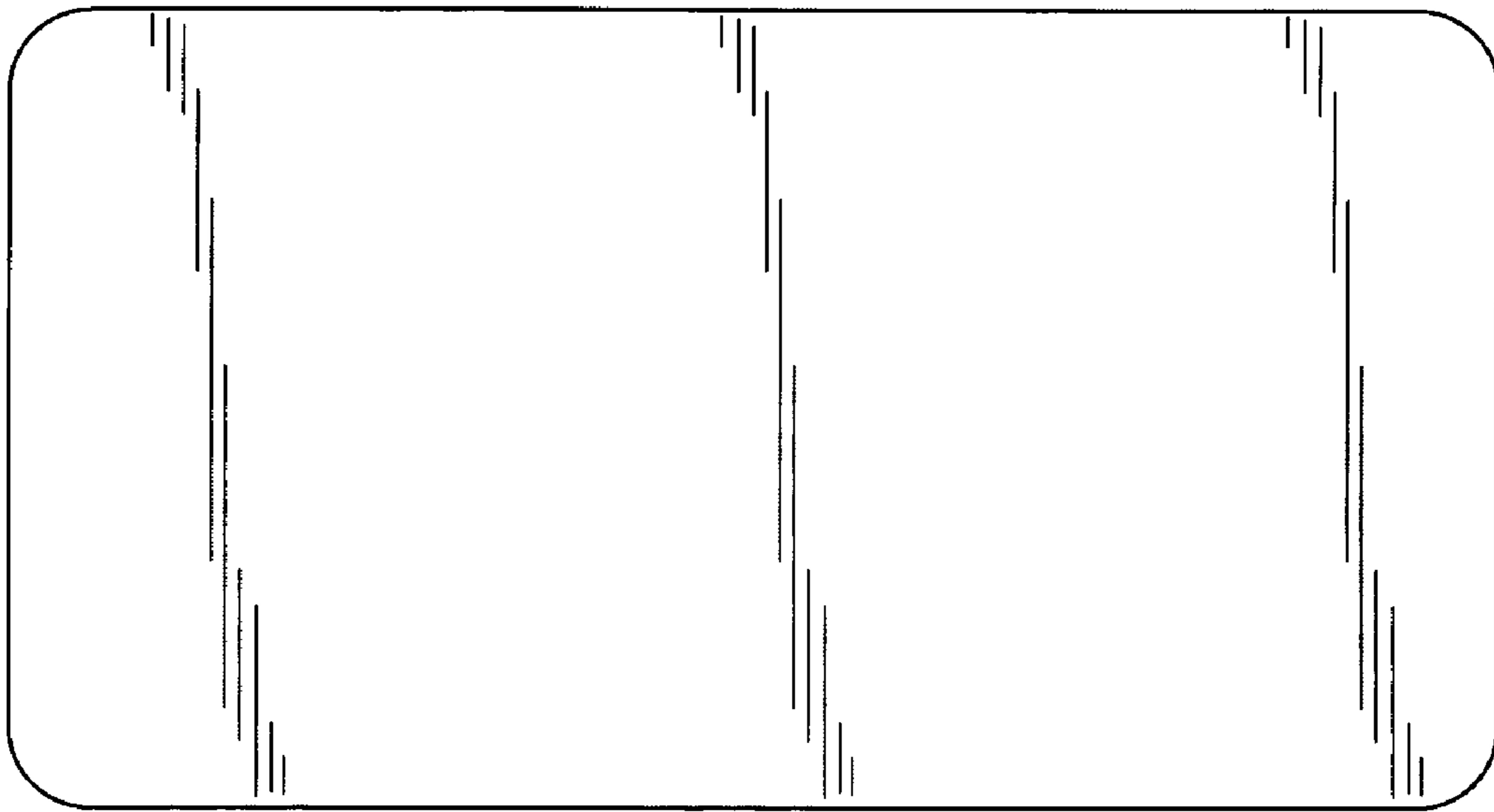


Fig. 7

