



US00D596298S

(12) **United States Design Patent**
Cox et al.

(10) **Patent No.:** **US D596,298 S**
(45) **Date of Patent:** **** Jul. 14, 2009**

(54) **MESSAGE TABLE**

(75) Inventors: **Ian J. Cox**, Steamboat Springs, CO (US); **Shelley L. Felch**, Steamboat Springs, CO (US)

(73) Assignee: **Shellian Corporation**, Steamboat Springs, CO (US)

(**) Term: **14 Years**

(21) Appl. No.: **29/307,733**

(22) Filed: **May 8, 2008**

(51) **LOC (9) Cl.** **23-02**

(52) **U.S. Cl.** **D24/183**

(58) **Field of Classification Search** D24/178,
D24/183, 188, 193; D6/334-337, 360-361,
D6/367-368, 382, 429; 606/242-243, 245;
5/600, 610, 612, 616-617

See application file for complete search history.

(56) **References Cited**

U.S. PATENT DOCUMENTS

- D185,658 S * 7/1959 Vallely D21/690
- D295,349 S * 4/1988 Mueller D6/429
- D304,614 S * 11/1989 Guttormsen D24/183
- 4,903,689 A 2/1990 Lannertone
- D328,533 S * 8/1992 Mueller D6/429
- D360,692 S * 7/1995 Gambino D24/193
- D364,464 S 11/1995 Gigante et al.
- D433,508 S * 11/2000 Crowther et al. D24/183

- 6,151,734 A 11/2000 Lawrie
- D438,623 S * 3/2001 Tantau D24/183
- D463,563 S * 9/2002 Schoenig et al. D24/183
- 6,615,431 B2 9/2003 Lin
- 6,934,988 B1 8/2005 Wetzler et al.
- D574,959 S * 8/2008 DeBral et al. D24/183

OTHER PUBLICATIONS

Cox et al., utility U.S. Appl. No. 11/726,092, including specification, two figures and Notice of Allowance mailed Oct. 27, 2008.

* cited by examiner

Primary Examiner—Robert A. Delehanty

Assistant Examiner—Mark Cavanna

(74) *Attorney, Agent, or Firm*—James K. Poole, Esq.

(57) **CLAIM**

The ornamental design for a massage table, as shown and described.

DESCRIPTION

FIG. 1 is a top perspective view of our design for a massage table;

FIG. 2 is a side view of the massage table of FIG. 1, the opposite side being a mirror image;

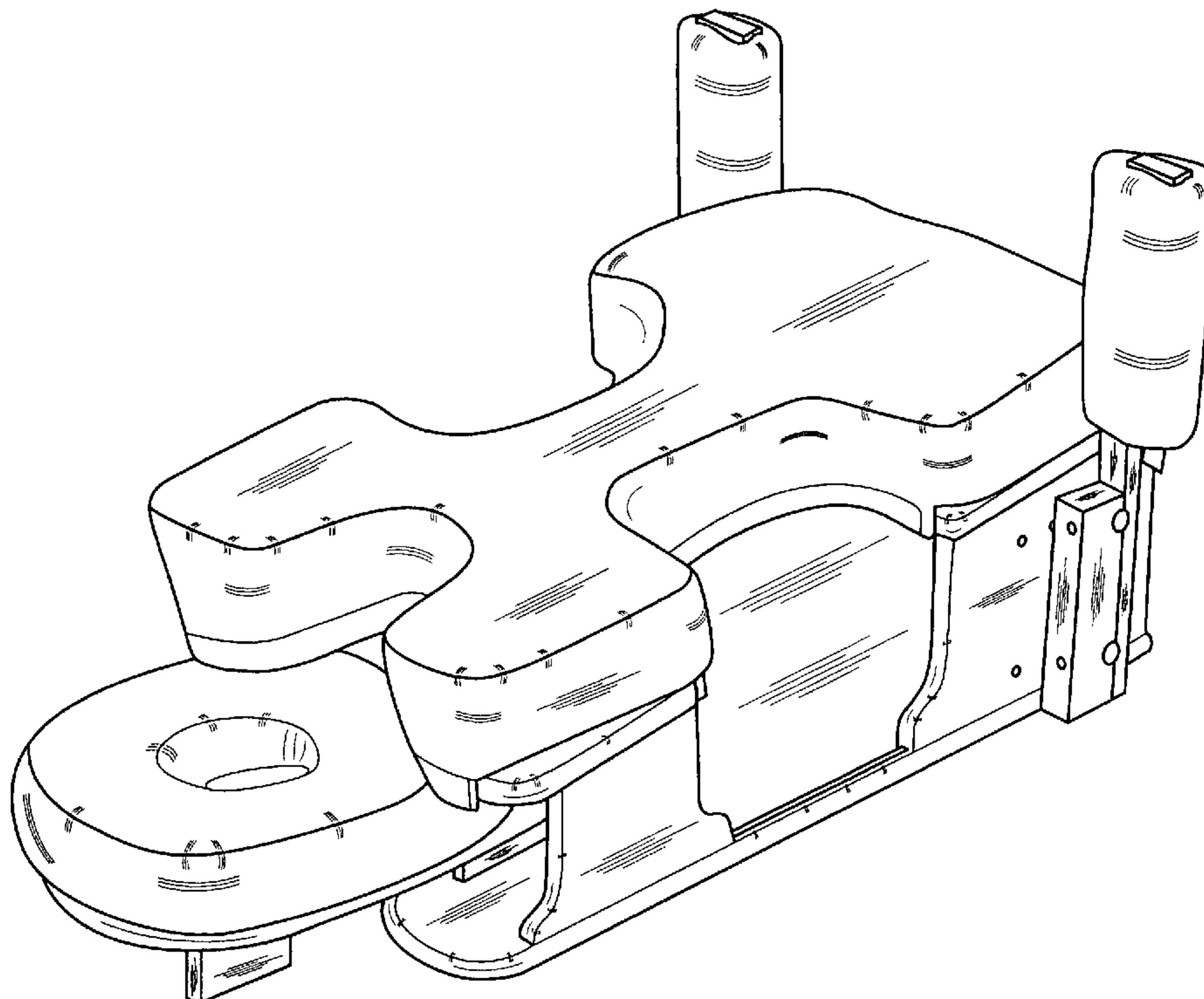
FIG. 3 is a front view of the massage table of FIG. 1;

FIG. 4 is a back view of the massage table of FIG. 1;

FIG. 5 is a top view of the massage table of FIG. 1; and,

FIG. 6 is a bottom view of the massage table of FIG. 1.

1 Claim, 5 Drawing Sheets



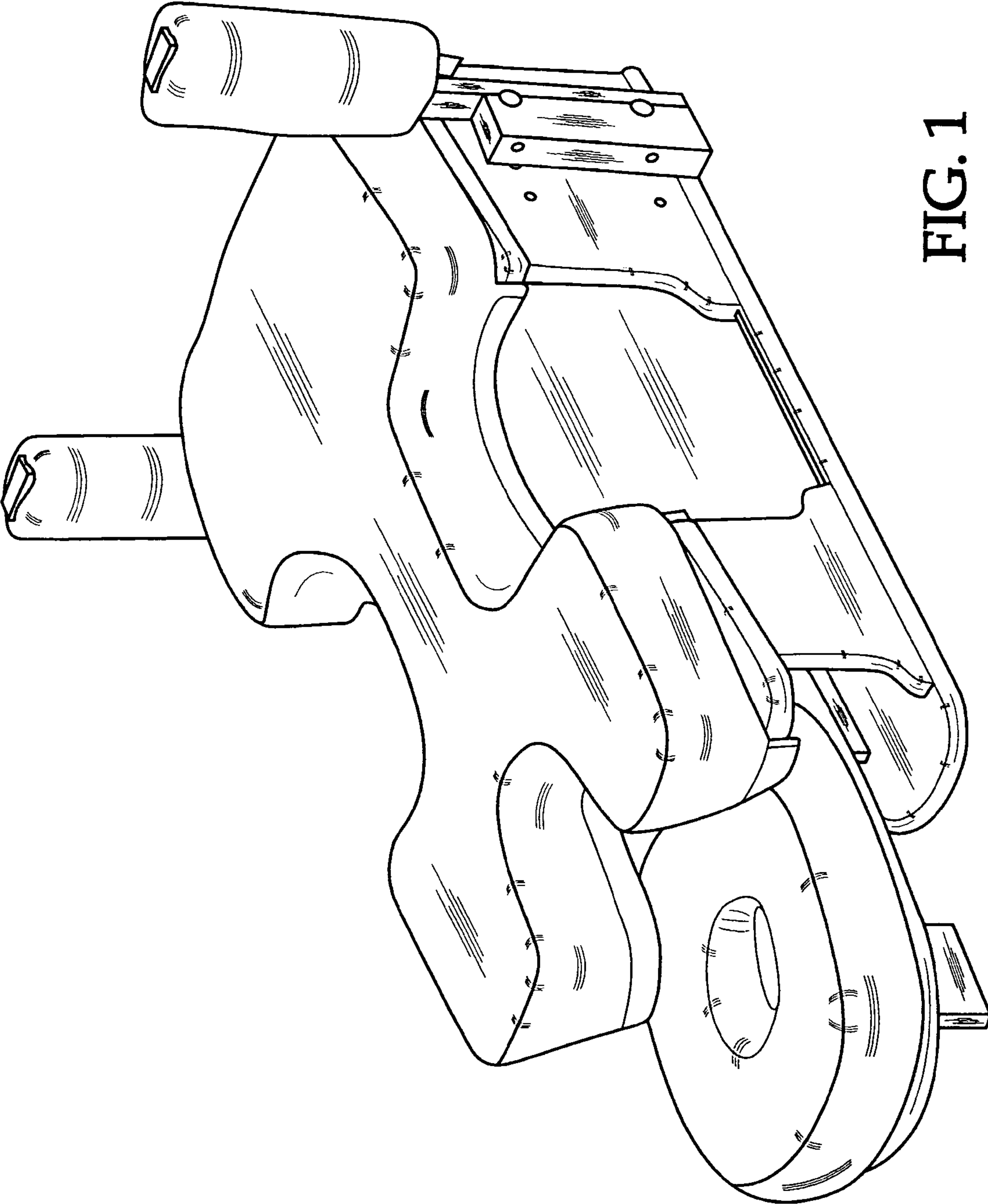


FIG. 1

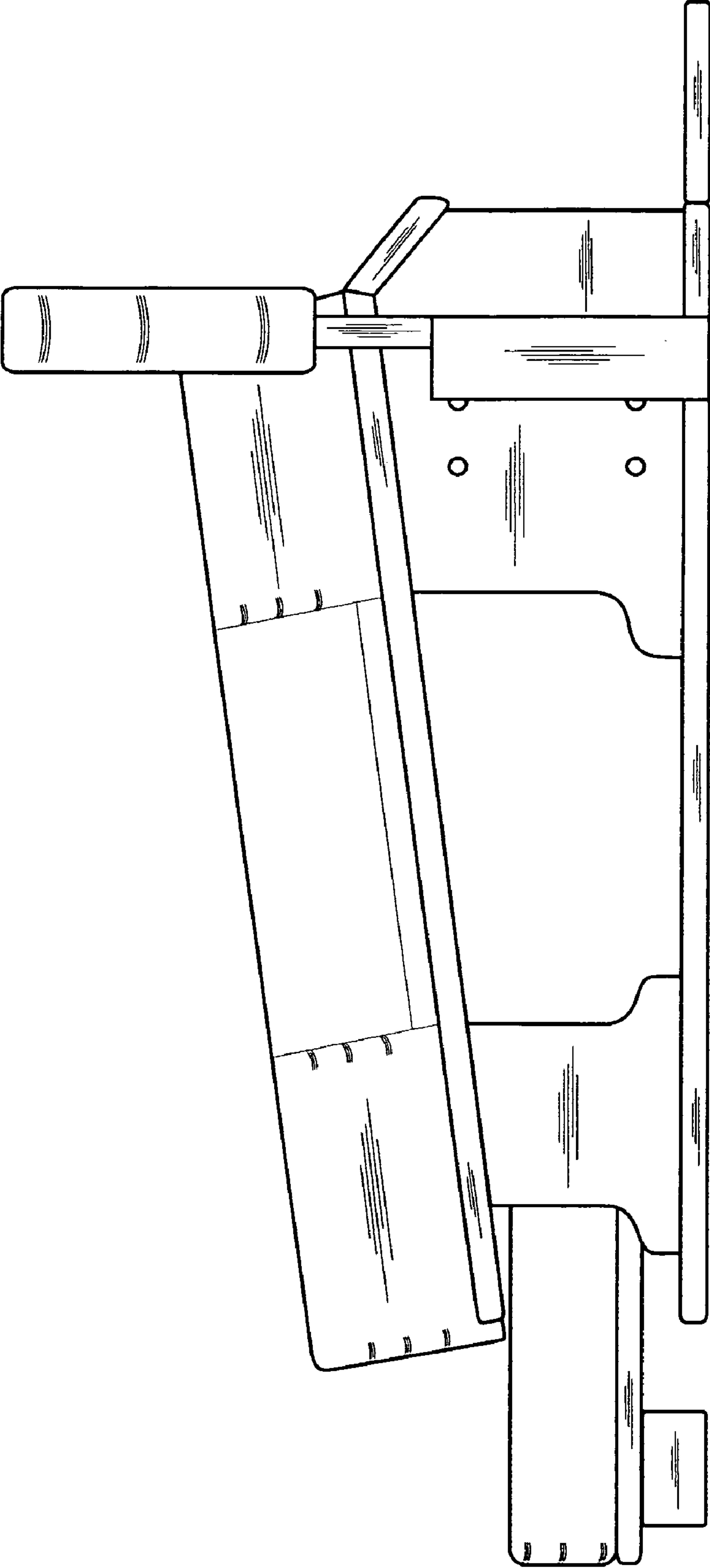


FIG. 2

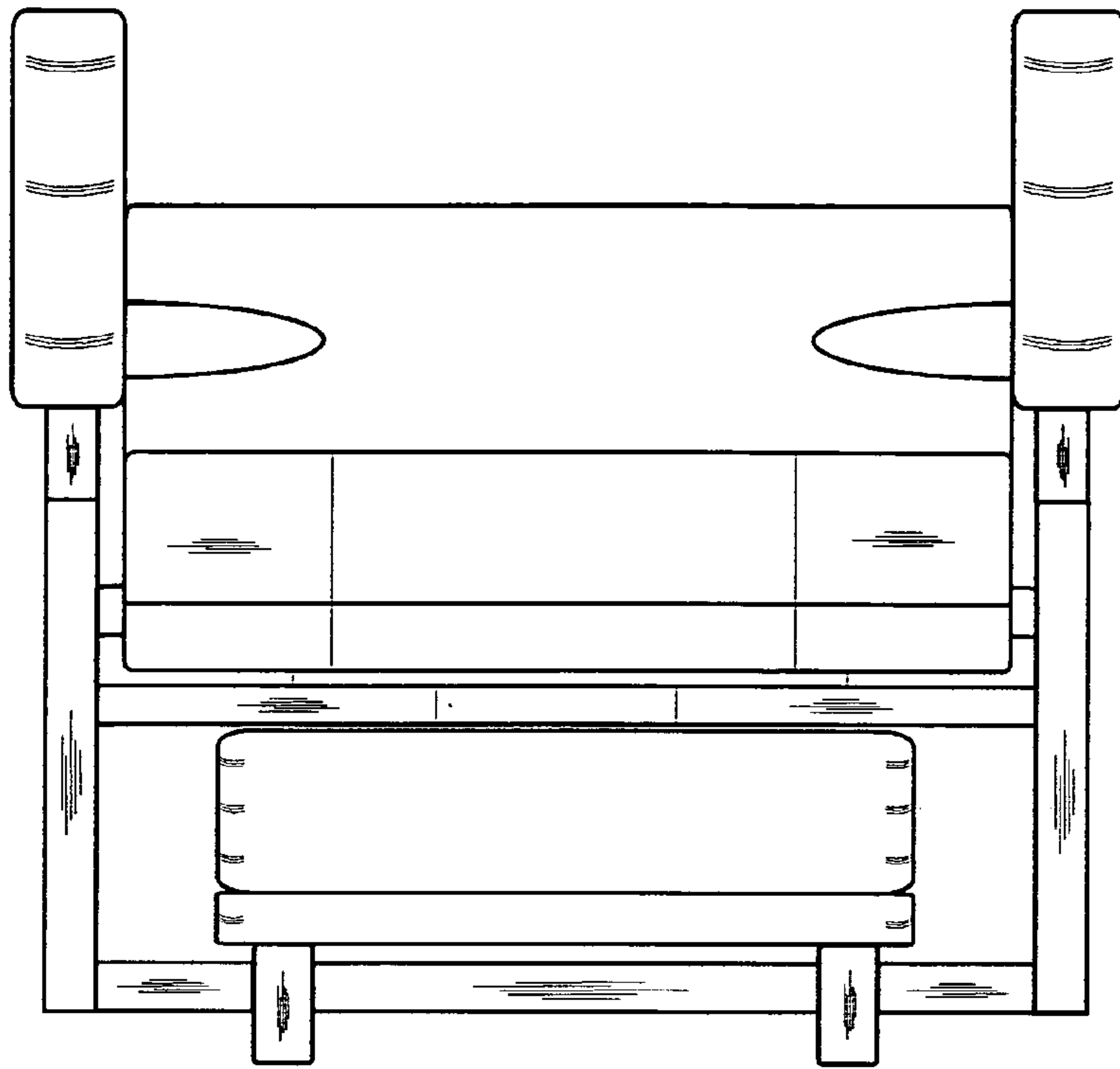


FIG. 3

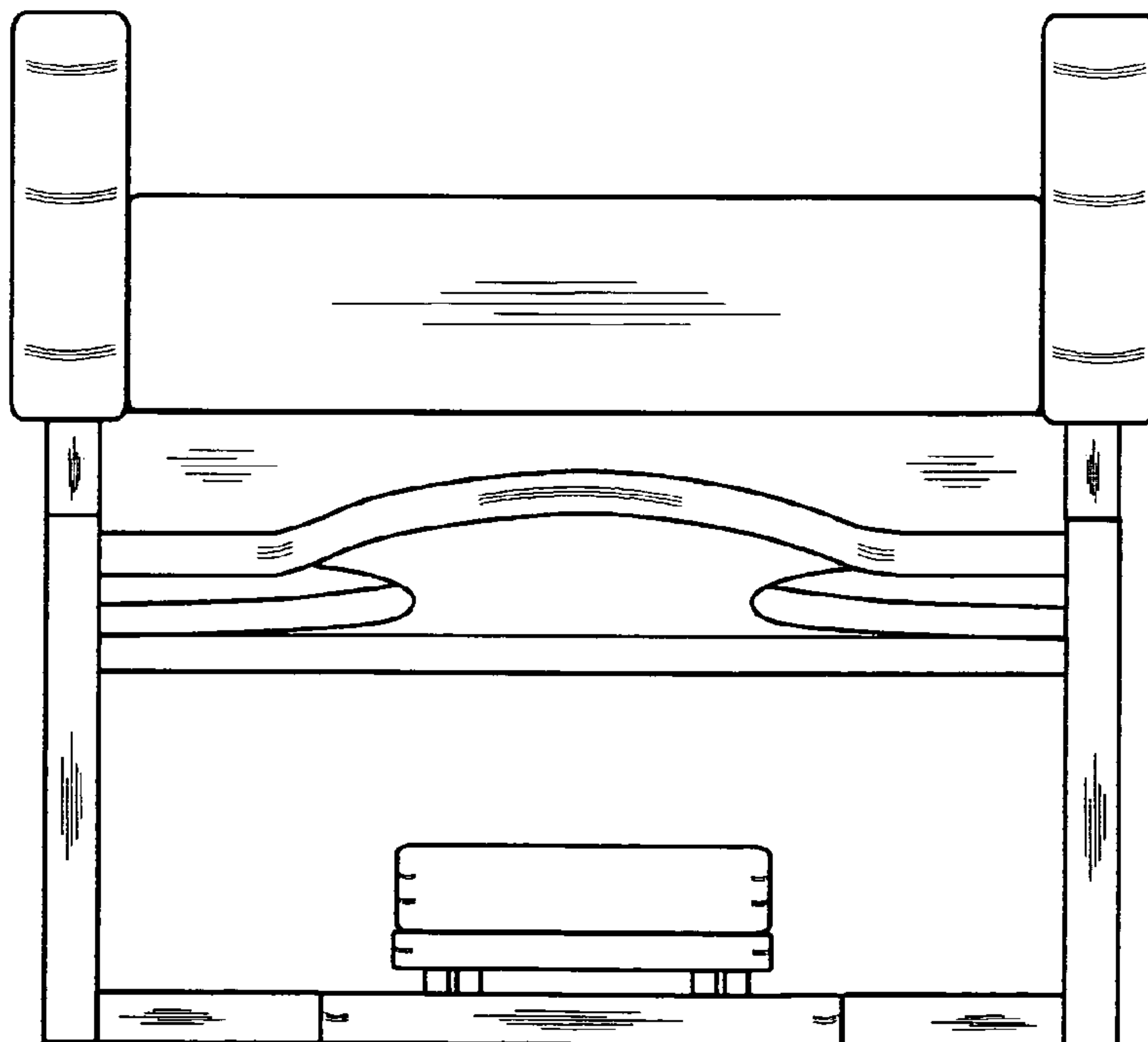


FIG. 4

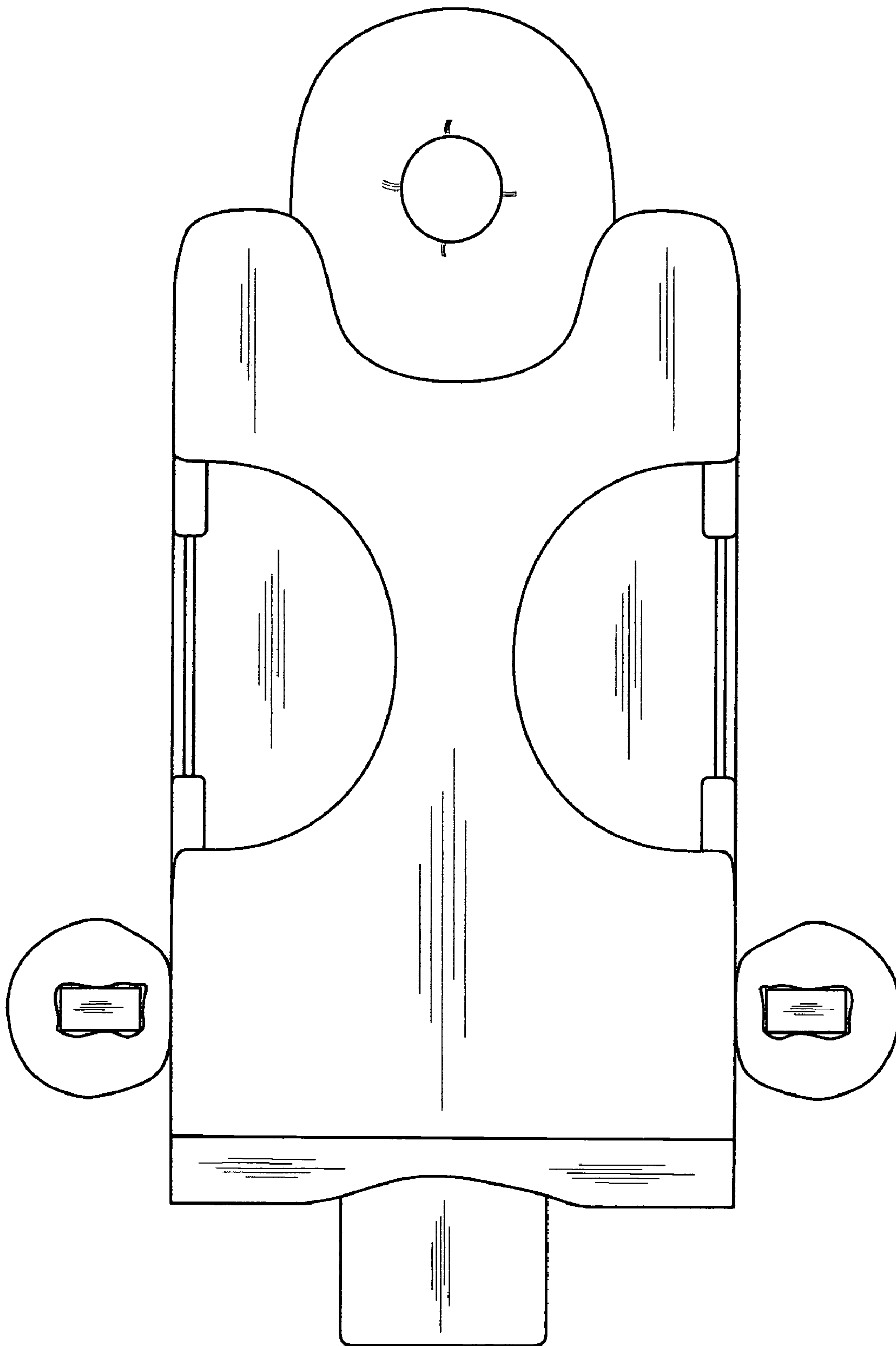


FIG. 5

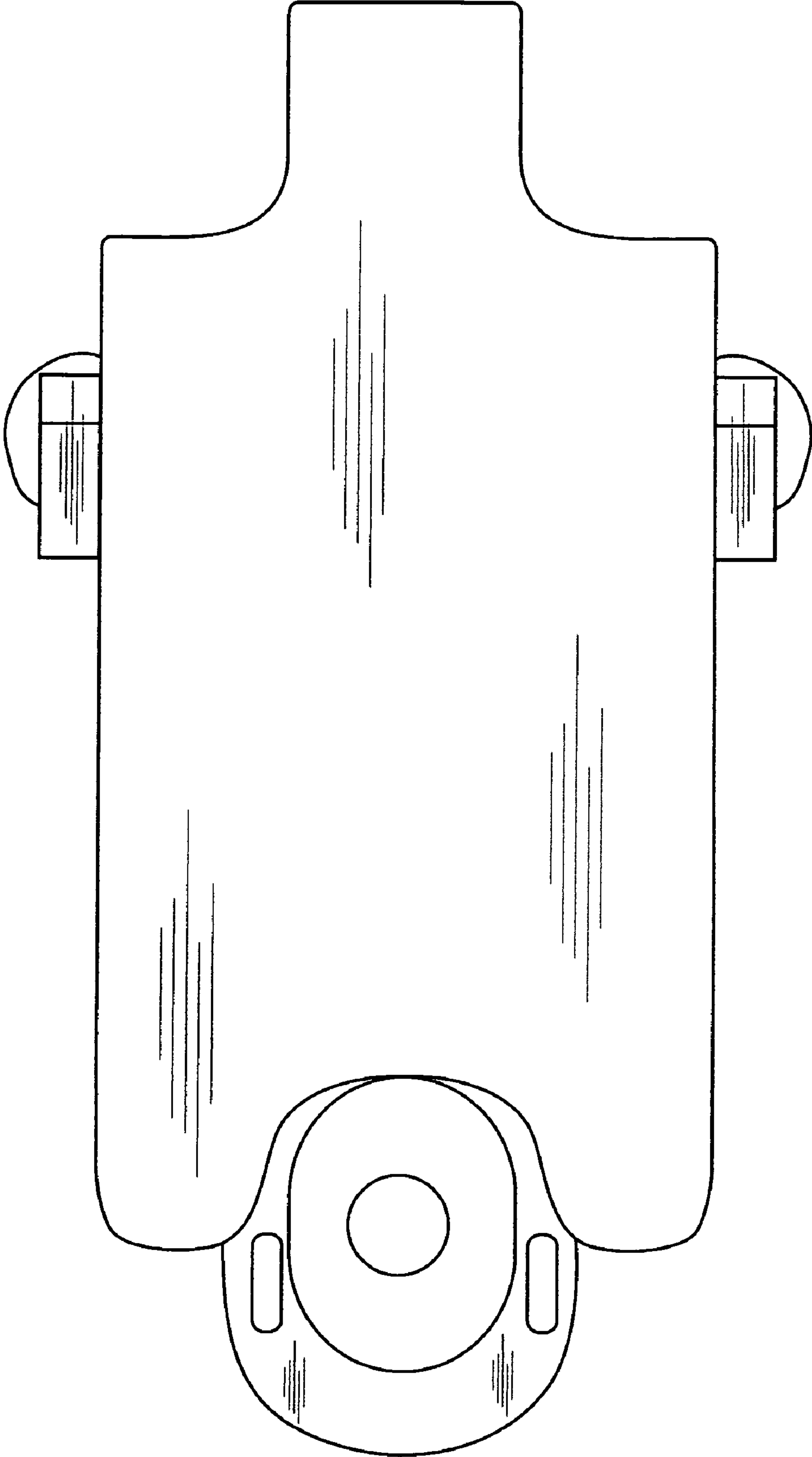


FIG. 6