



US00D596296S

(12) **United States Design Patent**  
**Huffman**

(10) **Patent No.:** **US D596,296 S**  
(45) **Date of Patent:** **\*\* Jul. 14, 2009**

(54) **ARCH DENTAL ARTICULATOR PIN LOCATOR**

(76) Inventor: **Ronald E. Huffman**, P.O. Box 68440, Oro Valley, AZ (US) 85704

(\*\*) Term: **14 Years**

(21) Appl. No.: **29/324,221**

(22) Filed: **Sep. 9, 2008**

**Related U.S. Application Data**

(63) Continuation of application No. 29/256,971, filed on Mar. 28, 2006, now Pat. No. Des. 576,733.

(51) **LOC (9) Cl.** ..... **24-02**

(52) **U.S. Cl.** ..... **D24/182**

(58) **Field of Classification Search** ..... D24/155-157, D24/133, 107, 181, 182; 128/848, 859; 602/902; 623/1.13-1.17, 44, 16.11, 17.11; 604/1.02; 433/141.1, 121; 81/119

See application file for complete search history.

(56) **References Cited**

**U.S. PATENT DOCUMENTS**

603,803 A	5/1898	White
921,791 A	5/1909	Benson
967,086 A	8/1910	Tuttle
1,013,028 A	12/1911	Lee
1,314,223 A	8/1919	Sorensen
1,745,570 A	2/1930	Dimelow
1,722,027 A	8/1930	Baumgarten
1,780,117 A	10/1930	Craigo
2,031,996 A	2/1936	Zelesnick
2,037,344 A	4/1936	Schwartz
2,234,411 A	3/1941	McDonald
2,376,384 A	12/1942	Ringle et al.
2,398,671 A	4/1946	Saffir
2,577,420 A	12/1951	Jablonski et al.
2,585,857 A	2/1952	Schwartz
2,613,440 A	10/1952	Murray et al.
2,621,407 A	12/1952	Schlesinger

2,669,780 A	2/1954	Mann
2,758,374 A	8/1956	Fisher et al.
2,765,533 A	10/1956	McMorris
2,827,899 A	3/1958	Altieri
2,842,845 A	7/1958	Carlson
2,963,786 A	12/1960	Browning
3,150,448 A	9/1964	Wozar
3,236,235 A	2/1966	Jacobs
3,247,844 A	4/1966	Berghash

(Continued)

**FOREIGN PATENT DOCUMENTS**

DE 3 436 094 A1 3/1985

(Continued)

*Primary Examiner*—Charles A Rademaker

(74) *Attorney, Agent, or Firm*—Holland & Hart, LLP

(57) **CLAIM**

The ornamental design for an arch dental articulator pin locator, as shown and described.

**DESCRIPTION**

FIG. 1 is a top and front perspective view of an arch dental articulator pin locator showing my new design;

FIG. 2 is a top and rear perspective view thereof;

FIG. 3 is a bottom and front perspective view thereof;

FIG. 4 is a bottom and rear perspective view thereof;

FIG. 5 is a left side elevation thereof;

FIG. 6 is a right side elevation thereof;

FIG. 7 is a top plan view thereof;

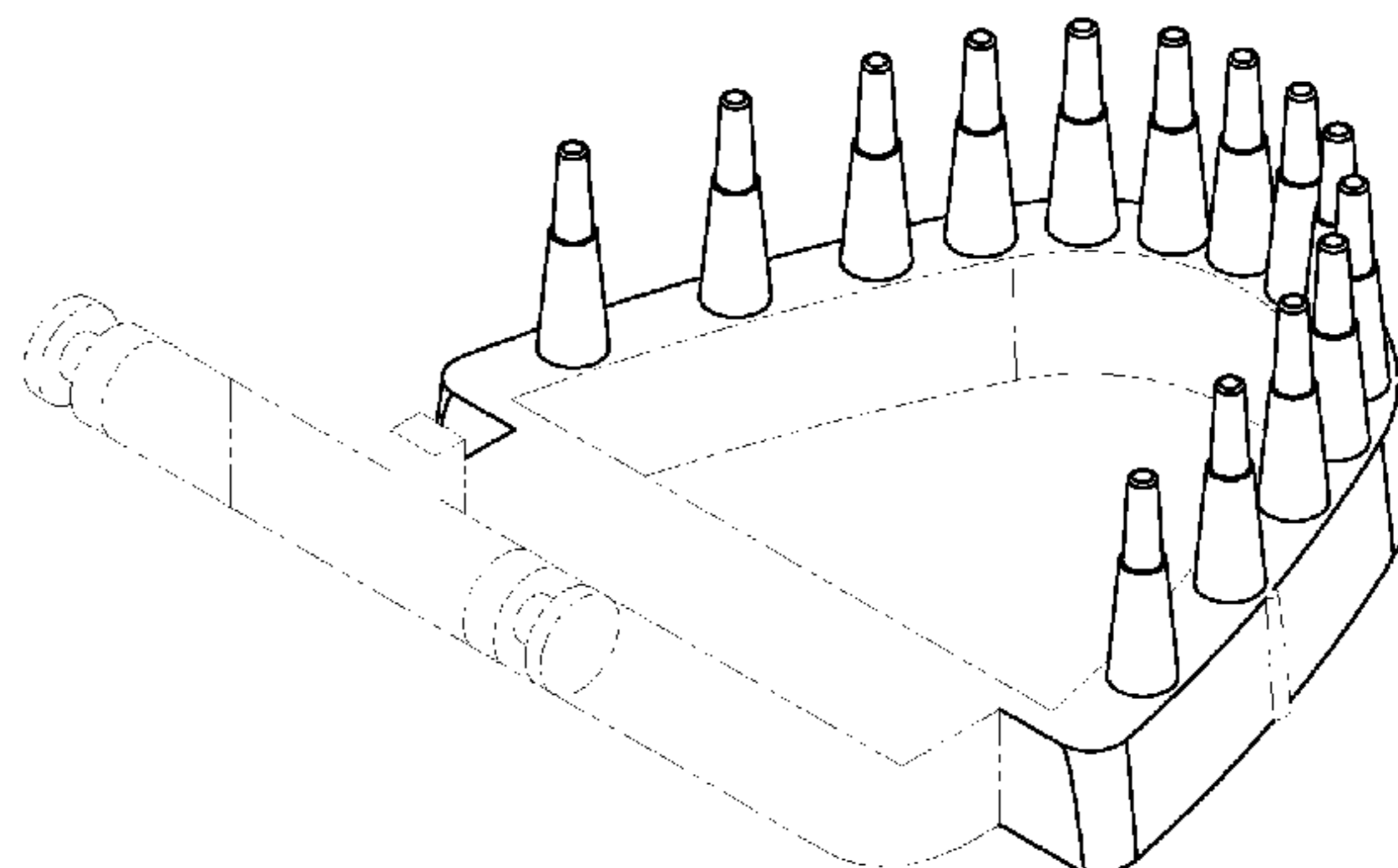
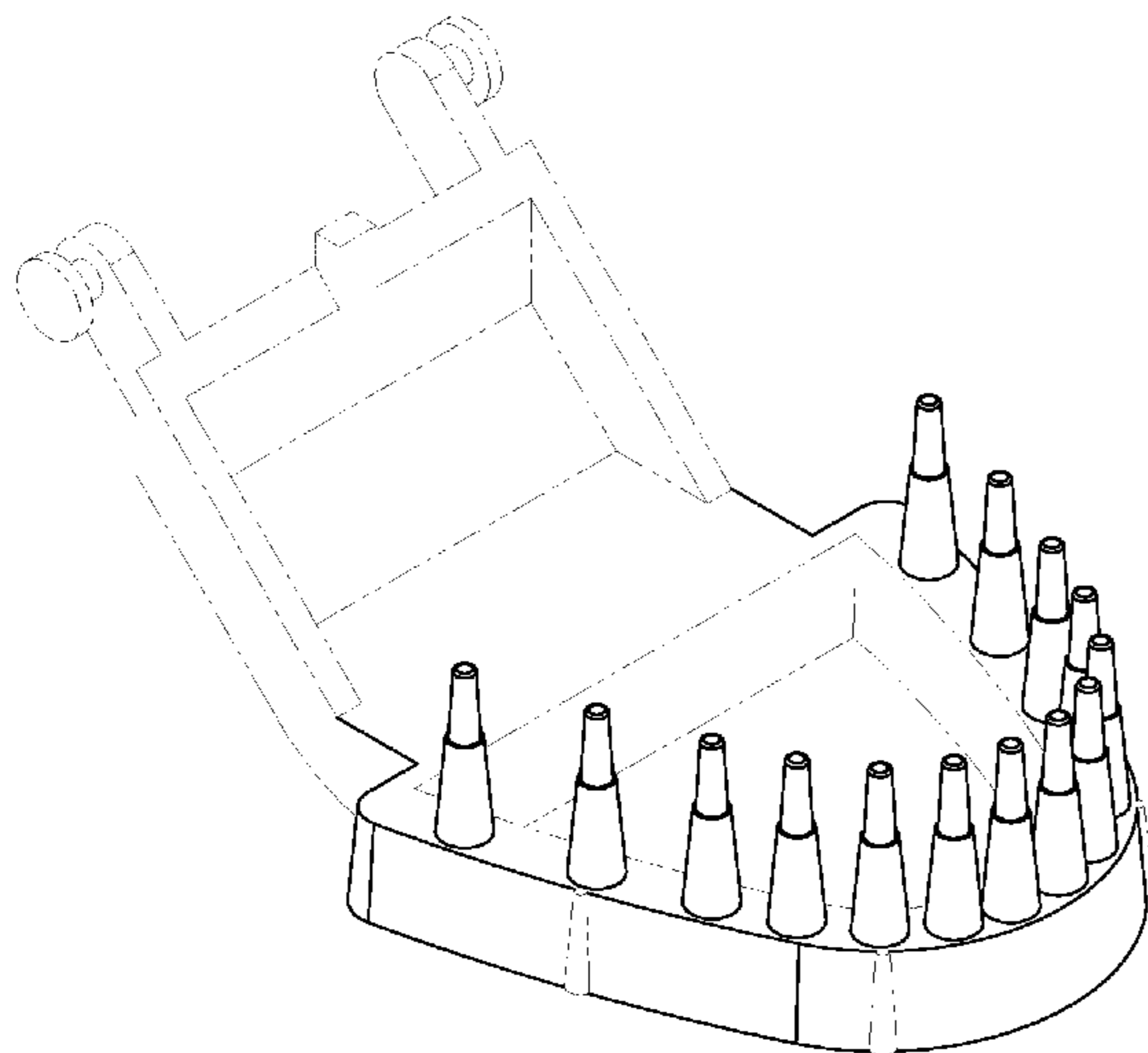
FIG. 8 is a bottom plan view thereof;

FIG. 9 is a front elevation thereof; and,

FIG. 10 is a rear elevation thereof.

The broken lines shown in the drawings are included for the purpose of illustrating environmental structures and form no part of the claimed design.

**1 Claim, 5 Drawing Sheets**



# US D596,296 S

U.S. PATENT DOCUMENTS						
			4,767,331	A	8/1988	Hoe
			4,786,253	A	11/1988	Morais
			4,834,651	A	5/1989	Fenick
			4,842,242	A	6/1989	Huffman
			D302,456	S	7/1989	Huffman
			D302,587	S	8/1989	Huffman
			D302,724	S	8/1989	Huffman
			D302,725	S	8/1989	Huffman
			4,865,546	A	9/1989	Naylor
			RE33,099	E	10/1989	Shoher et al.
			4,886,453	A	12/1989	Ludwigs
			D305,361	S	1/1990	Huffman
			D305,362	S	1/1990	Huffman
			D306,206	S	2/1990	Huffman
			4,898,359	A	2/1990	Gopon
			4,917,347	A	4/1990	Fenick
			RE33,271	E	7/1990	Shoher et al.
			4,940,409	A	7/1990	Nordin
			4,980,124	A	12/1990	Dimmer
			D315,209	S	3/1991	Mann
			D315,955	S	4/1991	Mann
			5,015,182	A	5/1991	Newberry
			5,028,235	A	7/1991	Smith
			5,044,949	A	9/1991	Xanthopoulos
			5,049,075	A	9/1991	Barrut
			5,076,789	A	12/1991	Tanaka
			D323,559	S	1/1992	Shafer
			5,098,290	A	3/1992	Honstein et al.
			5,100,317	A	3/1992	Darnand
			5,197,874	A	3/1993	Silva et al.
			5,207,574	A	5/1993	Garland
			5,352,117	A	10/1994	Silva
			5,393,227	A	2/1995	Nooning
			5,403,185	A	4/1995	Presswood
			5,466,152	A	11/1995	Walter
			5,470,231	A	11/1995	Stern
			5,501,600	A	3/1996	Johnson
			5,586,884	A	12/1996	Kraus
			5,622,497	A	4/1997	Cho
			5,645,425	A	7/1997	Callne
			5,722,828	A *	3/1998	Halstrom ..... 433/69
			5,766,007	A	6/1998	Huffman
			5,769,634	A	6/1998	Choi
			5,775,899	A	7/1998	Huffman
			5,788,489	A	8/1998	Huffman
			5,788,490	A	8/1998	Huffman
			5,800,166	A	9/1998	Huffman
			5,807,099	A	9/1998	Johnson
			5,868,138	A *	2/1999	Halstrom ..... 128/848
			5,868,569	A	2/1999	Huffman
			D408,919	S *	4/1999	Cooley ..... D24/181
			5,934,901	A	8/1999	Huffman
			5,970,981	A *	10/1999	Ochel ..... 128/859
			5,996,963	A	12/1999	Michael
			6,033,221	A	3/2000	Tsubota et al.
			D429,815	S	8/2000	Huffman
			D430,672	S	9/2000	Huffman
			D433,136	S	10/2000	Huffman
			D433,754	S	11/2000	Huffman
			6,149,428	A	11/2000	Mogensen
			6,186,781	B1	2/2001	Iba
			6,193,511	B1	2/2001	Hudson
			6,234,794	B1	5/2001	Ozaki
			D443,363	S	6/2001	Huffman
			D444,559	S	7/2001	Huffman
			D452,009	S	12/2001	Huffman
			D452,010	S	12/2001	Huffman
			D452,319	S	12/2001	Huffman
			D452,320	S	12/2001	Huffman
			D452,321	S	12/2001	Huffman
			D452,322	S	12/2001	Huffman
			D452,566	S	12/2001	Huffman
			D452,567	S	12/2001	Huffman
D210,278	S	2/1968	White			
3,416,527	A	12/1968	Hoef			
3,453,736	A	7/1969	Waltke			
3,461,562	A	8/1969	Cooper			
3,478,428	A	11/1969	Stengel			
3,510,947	A	5/1970	Tuccillo			
3,518,761	A	7/1970	Susman et al.			
3,552,018	A	1/1971	Zahn			
3,581,398	A	6/1971	Thomas			
3,650,032	A	3/1972	Kestler			
3,753,291	A	8/1973	Bocian et al.			
3,815,236	A	6/1974	Cooper			
3,832,777	A	9/1974	Tinder			
3,913,230	A	10/1975	Weiss			
3,934,348	A	1/1976	Janjic			
3,937,773	A	2/1976	Huffman			
3,947,964	A *	4/1976	Lee ..... 433/69			
3,969,820	A	7/1976	Kulig et al.			
4,021,916	A	5/1977	Spalten			
4,022,419	A	5/1977	Haker			
4,116,416	A	9/1978	Segura			
4,122,606	A	10/1978	Roman			
4,127,939	A	12/1978	Samuel et al.			
4,174,570	A	11/1979	Schwartz			
4,203,219	A	5/1980	Wiener			
D257,387	S	10/1980	Sharky			
4,229,167	A	10/1980	Kikuchi et al.			
4,240,605	A	12/1980	Waltke			
4,242,812	A	1/1981	Randoll et al.			
4,265,619	A	5/1981	Lucki et al.			
4,283,173	A	8/1981	Browne et al.			
4,301,357	A	11/1981	Huffman			
4,319,875	A	3/1982	Beckwith			
4,359,464	A	11/1982	Weinstock			
4,371,339	A	2/1983	Zeiser			
4,378,929	A	4/1983	Huffman			
4,382,787	A	5/1983	Huffman			
4,398,884	A	8/1983	Huffman			
4,403,961	A	9/1983	Gurney			
4,436,511	A	3/1984	Mitchell, Sr.			
4,439,151	A	3/1984	Whelan			
4,443,192	A	4/1984	Blitz			
4,449,930	A	5/1984	Huffman			
4,449,931	A	5/1984	Saito			
4,459,110	A	7/1984	Jackson			
4,460,338	A	7/1984	Mercer et al.			
4,473,353	A	9/1984	Greggs			
4,481,162	A	11/1984	Huffman			
4,494,934	A	1/1985	Huffman			
4,504,226	A	3/1985	Gordon			
D278,274	S	4/1985	Levine			
4,521,188	A	6/1985	Metzler			
4,533,323	A	8/1985	Huffman			
4,538,987	A	9/1985	Weissman			
4,548,581	A	10/1985	Huffman			
D283,541	S	4/1986	Huffman			
D283,542	S	4/1986	Huffman			
D283,639	S	4/1986	Huffman			
D283,730	S	5/1986	Huffman			
4,608,016	A	8/1986	Zeiser			
D286,179	S	10/1986	Huffman			
D286,436	S	10/1986	Huffman			
4,645,454	A	2/1987	Amdur et al.			
D289,924	S	5/1987	Huffman			
4,671,770	A	6/1987	Bell et al.			
4,708,648	A	11/1987	Weissman			
4,708,835	A	11/1987	Kiefer			
4,721,464	A	1/1988	Roden et al.			
4,734,033	A	3/1988	Huffman			
D295,314	S	4/1988	Kwok			
4,767,330	A	8/1988	Burger			

# US D596,296 S

Page 3

D452,568 S	12/2001	Huffman	
6,364,661 B1	4/2002	Brattesani	
D456,902 S	5/2002	Huffman	
D456,903 S	5/2002	Huffman	
D456,904 S	5/2002	Huffman	
D457,243 S	5/2002	Huffman	
D457,636 S	5/2002	Huffman	
D457,637 S	5/2002	Huffman	
D457,963 S	5/2002	Huffman	
D457,964 S	5/2002	Huffman	
6,425,759 B1	7/2002	Cronin	
D464,431 S	10/2002	Huffman	
D464,432 S	10/2002	Huffman	
D464,732 S	10/2002	Huffman	
D464,733 S	10/2002	Huffman	
D465,027 S	10/2002	Huffman	
6,471,513 B1	10/2002	Huffman	
D468,018 S	12/2002	Huffman	
D468,431 S	1/2003	Huffman	
D468,432 S	1/2003	Huffman	
D469,537 S	1/2003	Huffman	
6,511,318 B2	1/2003	Kim	
D481,797 S	11/2003	Huffman	
6,726,477 B2	4/2004	Gittleman	
D491,269 S	6/2004	Tucker et al.	
6,884,068 B2	4/2005	Huffman	
6,886,566 B2 *	5/2005	Eubank .....	128/859
6,910,888 B2	6/2005	Garland	
6,932,608 B1	8/2005	Gagliano et al.	
D512,148 S	11/2005	Kwok	
7,044,734 B2	5/2006	Huffman	
D529,177 S	9/2006	Huffman	
D529,178 S	9/2006	Huffman	
7,108,507 B2	9/2006	Huffman	
D530,014 S	10/2006	Huffman	
7,147,465 B2	12/2006	Jung et al.	
7,156,660 B2	1/2007	Huffman	
D537,987 S *	3/2007	Manzo et al. ....	D29/108
D539,429 S	3/2007	Wong	
7,210,931 B1 *	5/2007	Huffman .....	433/60
D547,452 S	7/2007	Costello	
D551,767 S	9/2007	Costello	
D559,986 S	1/2008	Huffman	
7,338,283 B2	3/2008	Honstein et al.	
7,341,451 B2	3/2008	Huffman	
7,347,689 B2	3/2008	Huffman	
D566,281 S	4/2008	Huffman	

D567,380 S	4/2008	Huffman
D571,919 S	6/2008	Kwon et al.
D753,712	7/2008	Huffman
D575,404 S	8/2008	Huffman
D575,873 S	8/2008	Huffman
D576,732 S	9/2008	Huffman
D576,733 S	9/2008	Huffman
D576,734 S	9/2008	Huffman
D582,559 S	12/2008	Khawaled et al.
2004/0096802 A1	5/2004	Gittleman
2005/0064364 A1	3/2005	Huffman
2005/0064365 A1	3/2005	Huffman
2006/0281043 A1	12/2006	Huffman
2007/0037115 A1	2/2007	Sim
2007/0231770 A1	10/2007	Huffman

## FOREIGN PATENT DOCUMENTS

DE	3 505 680 A1	7/1985
DE	3 521 137 A1	12/1986
DE	3 825 014 A1	1/1990
DE	295 06 480 U1	8/1995
DE	296 13 916 U1	1/1998
DE	4 01 05 710.0	10/2001
EP	0 210 484 A2	2/1985
EP	0 151 086 A2	8/1985
EP	0 277 026 A2	8/1988
EP	0 291 821 A1	11/1988
EP	0 528 335 A1	2/1993
FR	2 750 851 A1	1/1998
FR	2 757 372 A1	6/1998
FR	2 770 994	5/1999
FR	653652	2/2002
GB	866 118	4/1961
GB	886 118	1/1962
GB	2 102 229 A	1/1983
GB	2 105 427	3/1983
GB	1014814	2/1984
GB	1053786	4/1989
GB	2075293	9/1998
GB	2101077	4/2001
JP	58-147508	10/1983
WO	WO 88/10101	12/1988
WO	WO 97/16130	5/1997
WO	WO 01/01881 A2	1/2001

\* cited by examiner

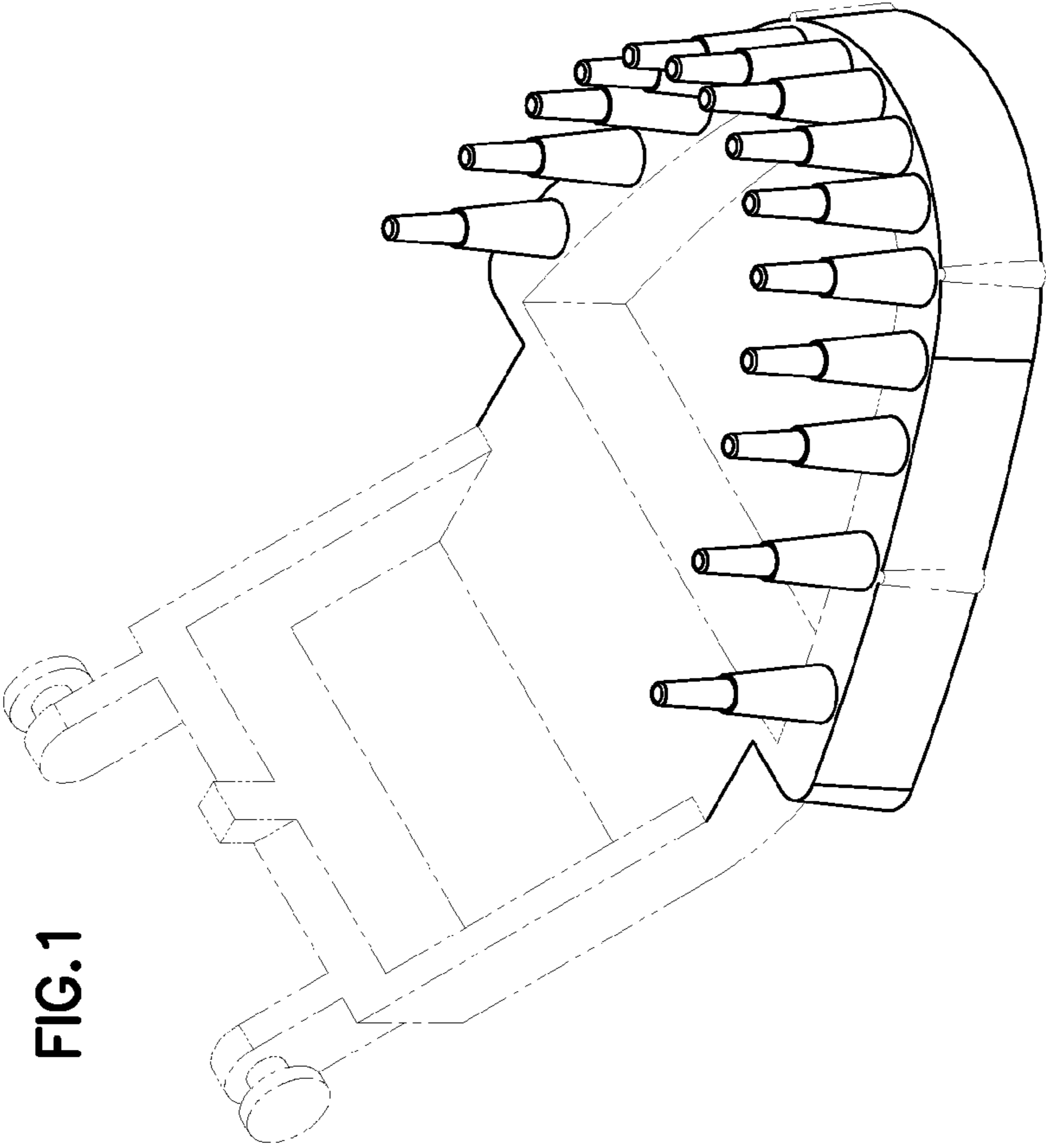


FIG. 1

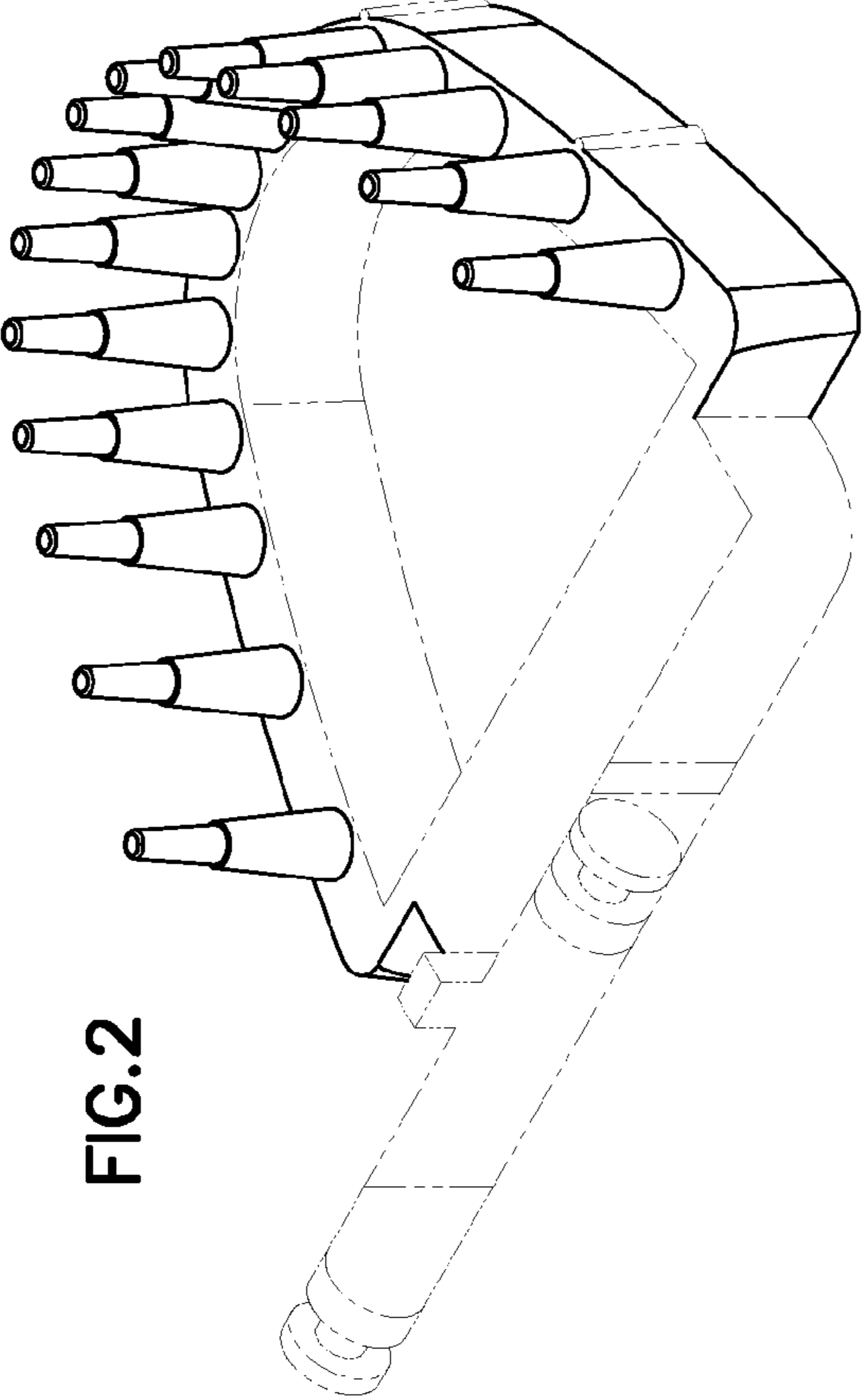


FIG. 2

FIG.4

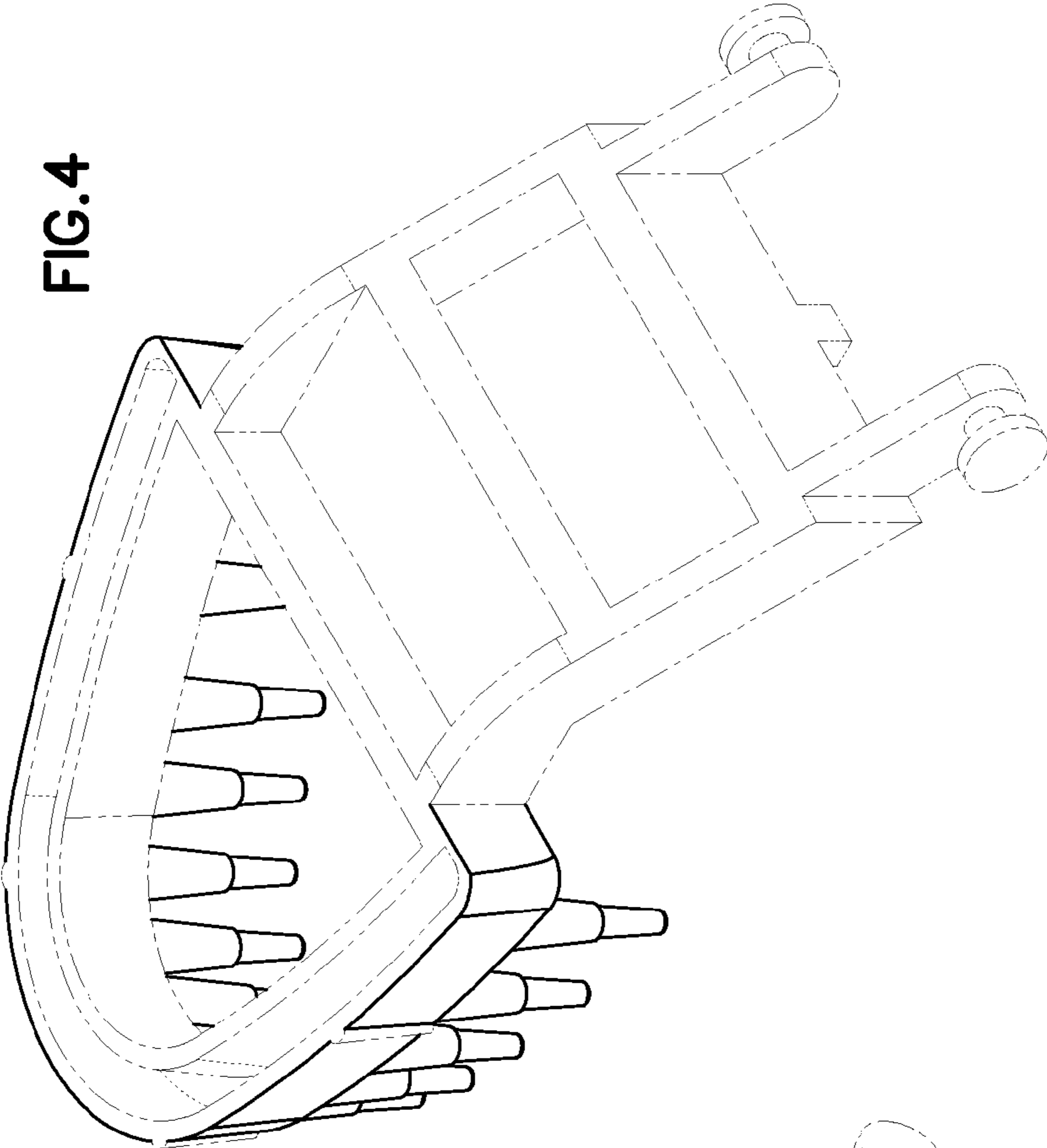
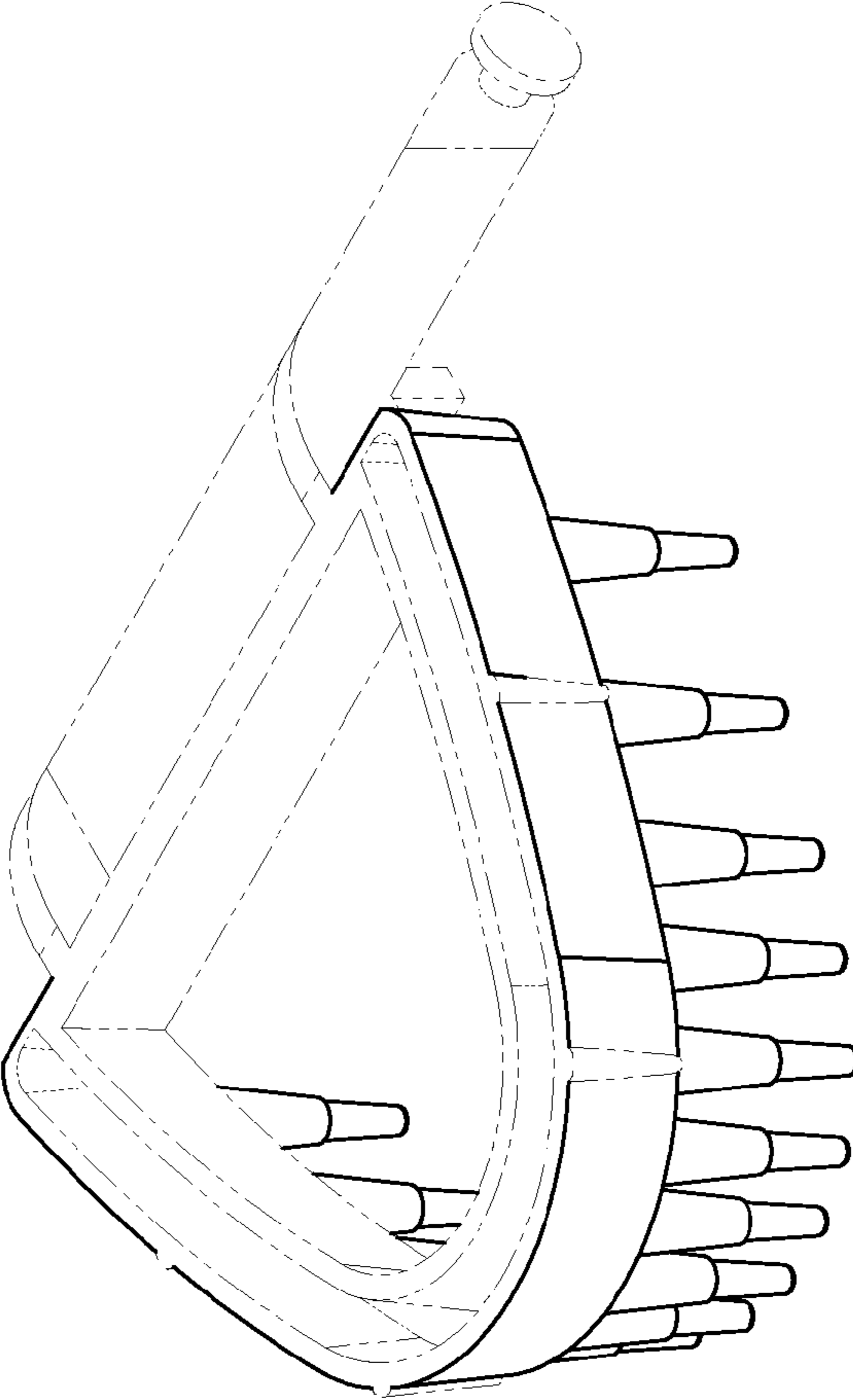


FIG.3



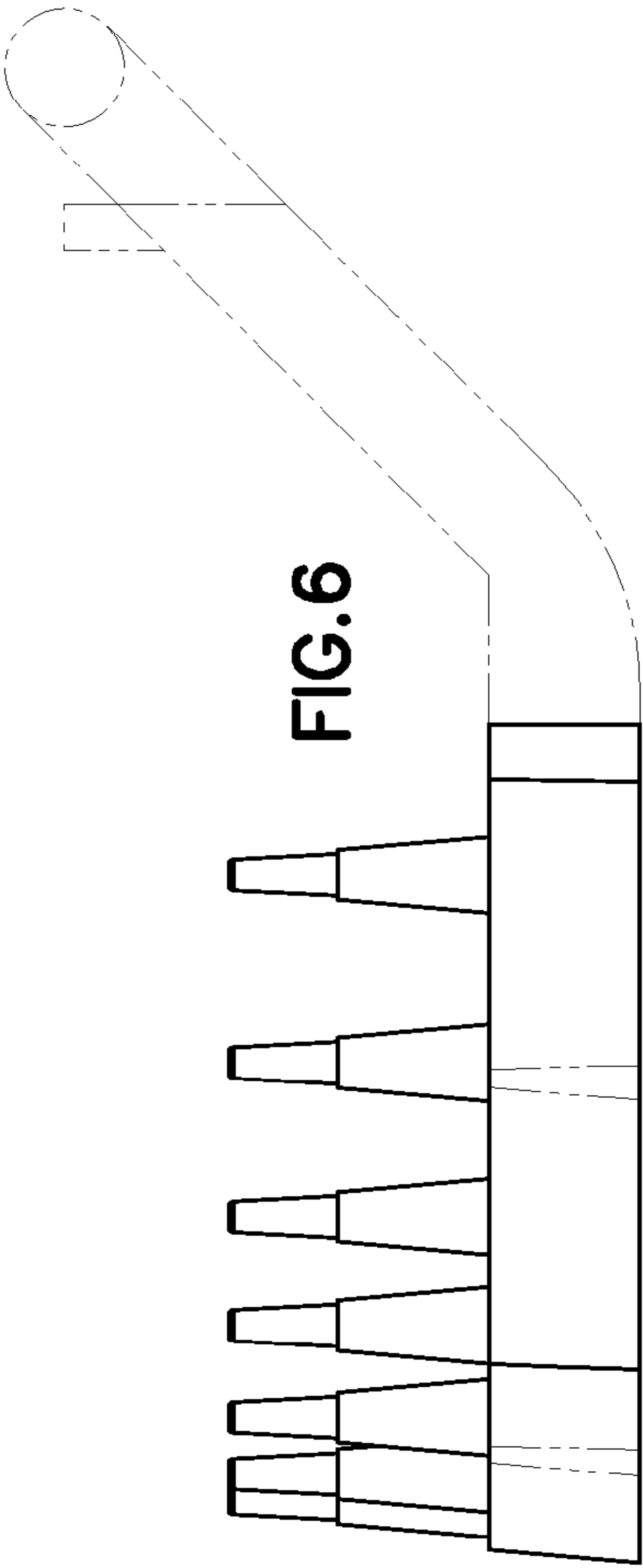
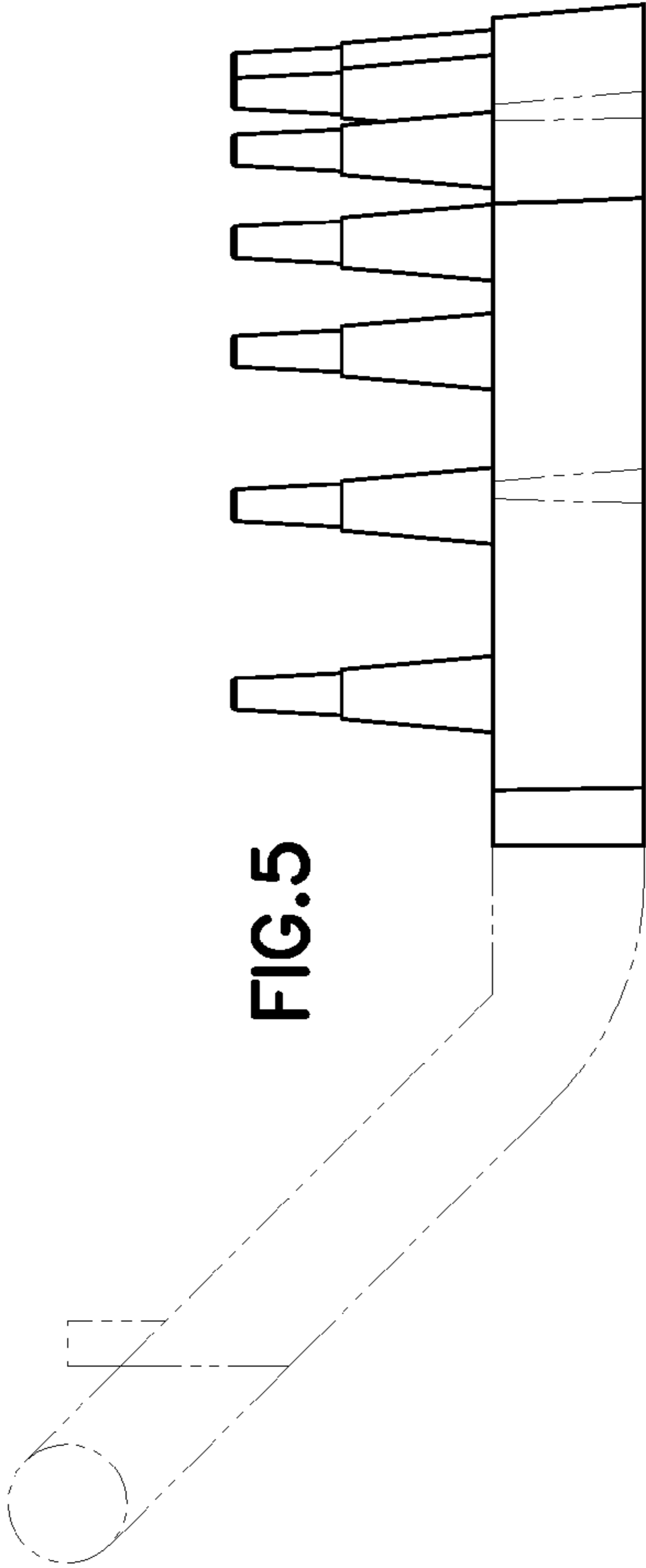


FIG. 8

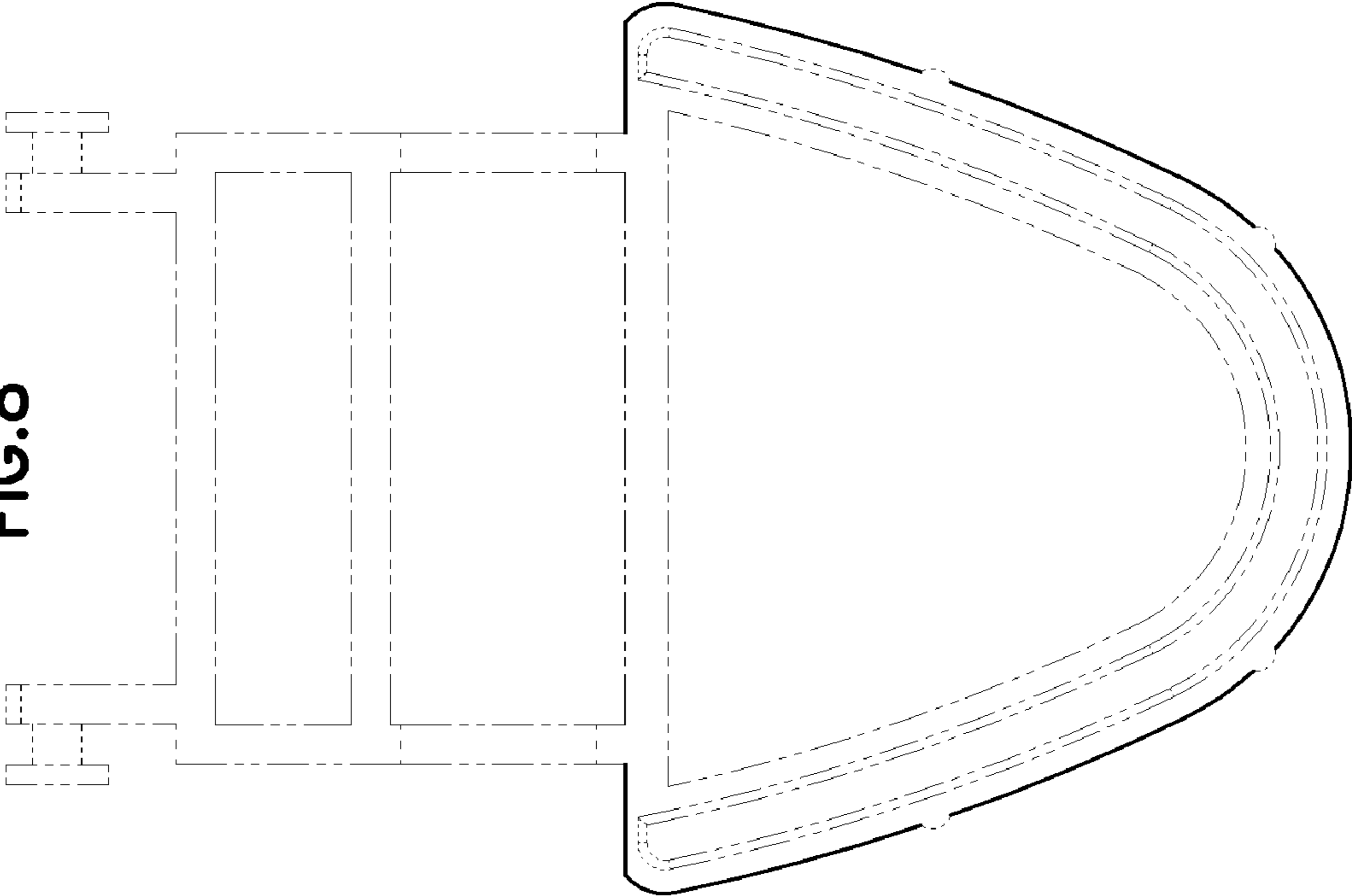
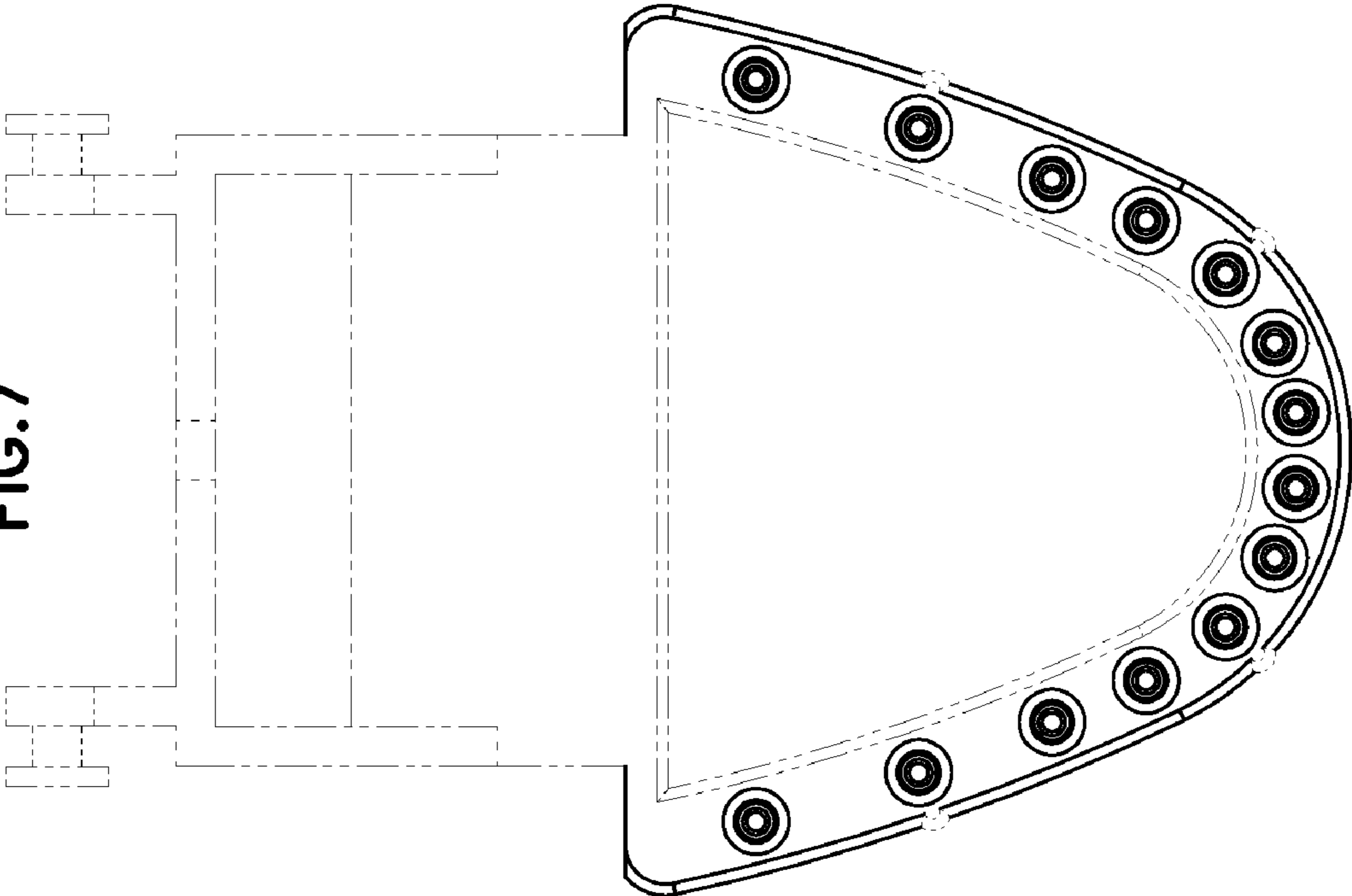


FIG. 7



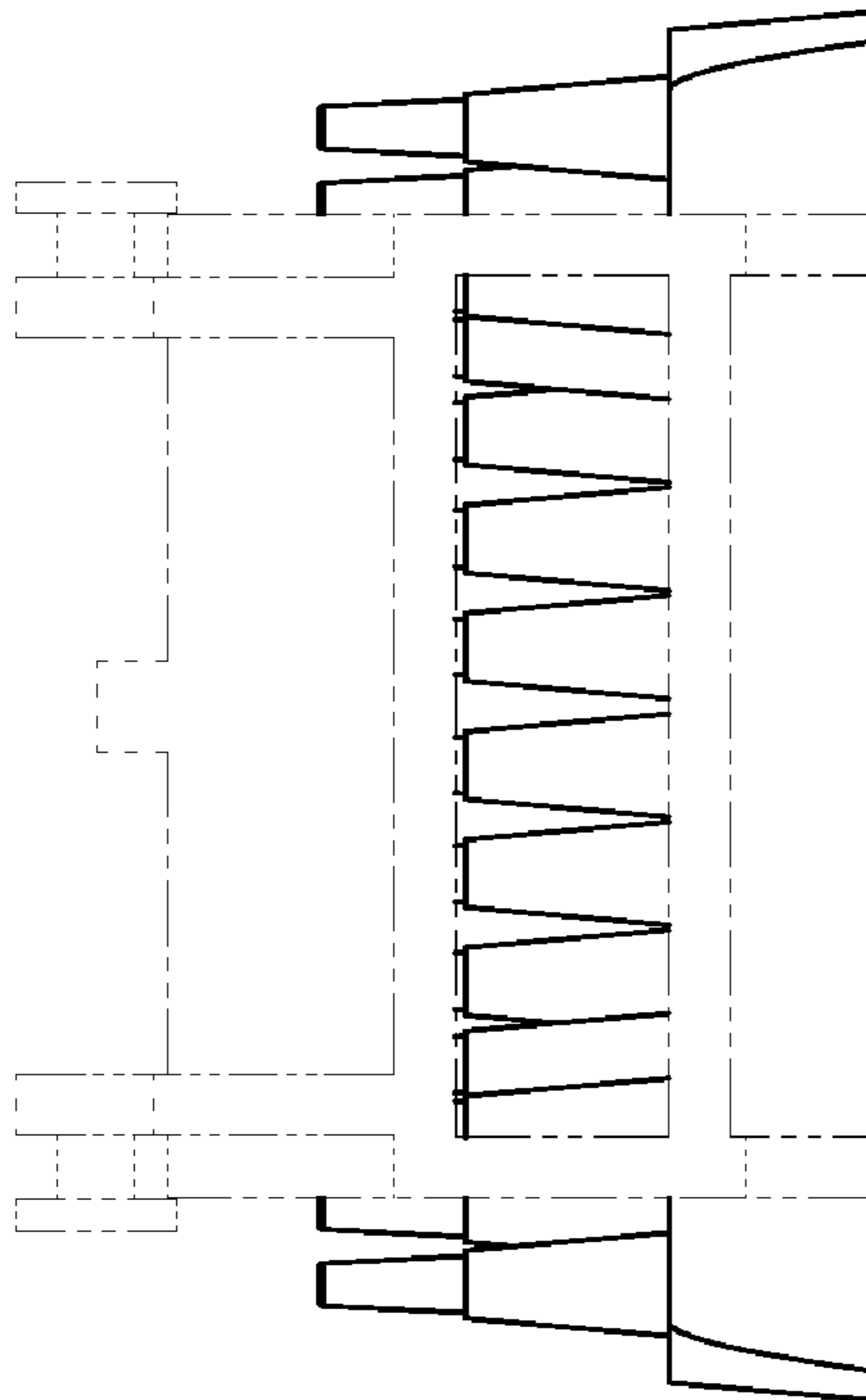


FIG. 10

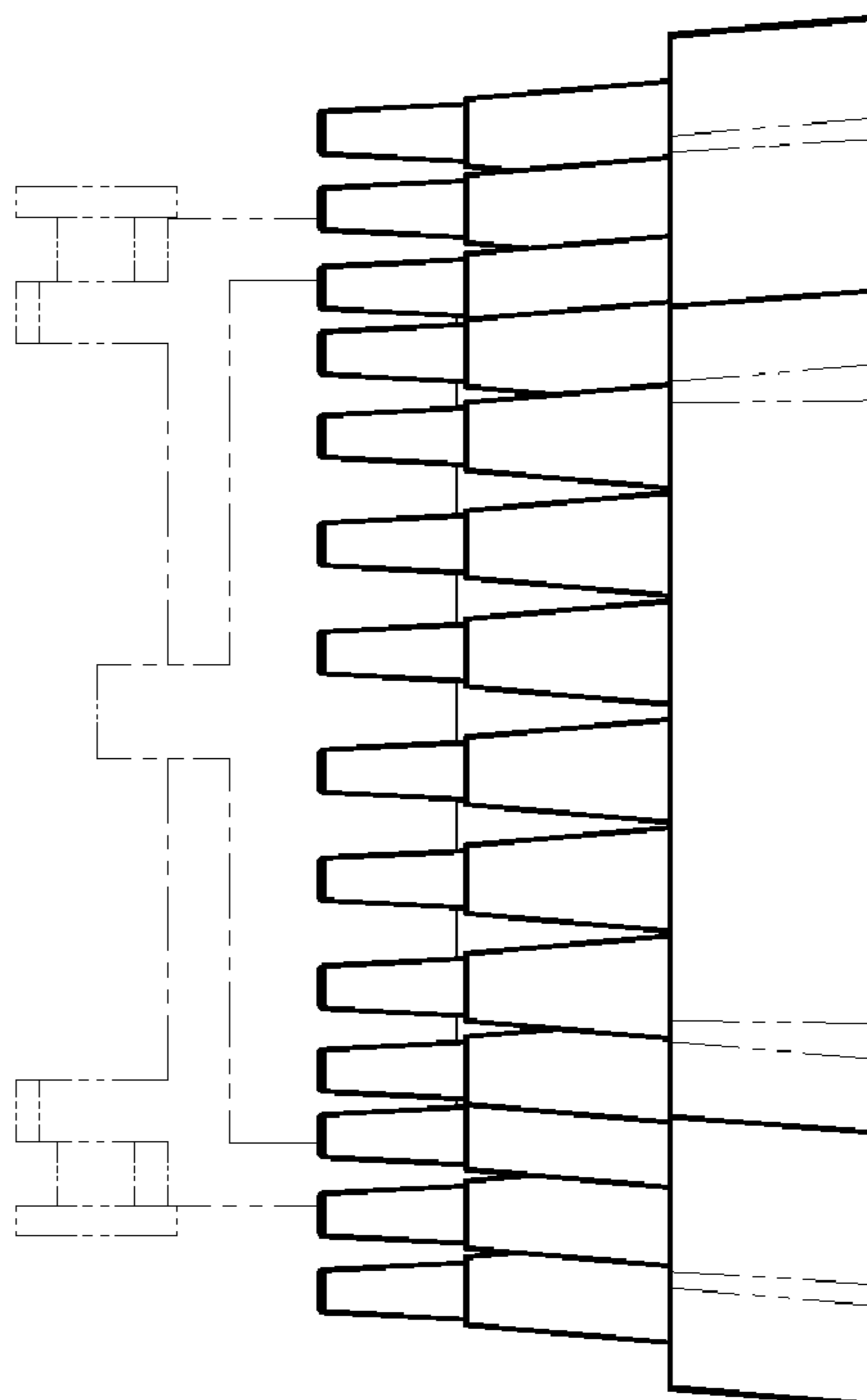


FIG. 9