



US00D596293S

(12) **United States Design Patent**  
**Gao**

(10) **Patent No.:** **US D596,293 S**

(45) **Date of Patent:** **\*\* Jul. 14, 2009**

(54) **GRIPPING DEVICE**

(75) Inventor: **Hua Gao**, Fox Point, WI (US)

(73) Assignee: **Bradshaw Medical, Inc.**, Kenosha, WI (US)

(\*\*) Term: **14 Years**

(21) Appl. No.: **29/301,487**

(22) Filed: **Mar. 4, 2008**

(51) **LOC (9) Cl.** ..... **24-99**

(52) **U.S. Cl.** ..... **D24/152; D8/52**

(58) **Field of Classification Search** ..... D24/155-157, D24/152, 153; 606/60, 61, 73, 95, 213, 281, 606/292, 70, 71, 76, 291, 246, 248, 249, 606/247, 280, 283; 623/17.11, 17.12, 17.13, 623/17.14, 17.15, 17.16, 23.61, 23.56, 247, 623/213, 286; D15/143, 139; D8/382, 394, D8/155, 156, 107, 176, 180, 181, 182, 147, D8/387, 388, 393.9, 52, 56; 433/173, 176, 433/49, 70, 168.1, 38, 39, 40, 47, 4, 73; D29/108, D29/100; 128/859, 861, 862; 72/68, 299, 72/316; D4/103, 137, 199; 71/130, 131  
See application file for complete search history.

(56) **References Cited**

**U.S. PATENT DOCUMENTS**

726,365	A	*	4/1903	Smith	7/130
D124,728	S	*	1/1941	Sulak	D8/52
2,394,807	A	*	2/1946	Robinson	7/130
2,541,357	A	*	2/1951	Hersh	D24/153
2,959,858	A	*	11/1960	Drake	433/4
D274,647	S	*	7/1984	Johnson	D24/153
D349,636	S	*	8/1994	White et al.	D8/52
5,839,896	A	*	11/1998	Hickok et al.	433/159
D447,239	S	*	8/2001	Enoch et al.	D24/153
D472,119	S	*	3/2003	Burrows	D8/52

D504,296	S	*	4/2005	Chen	D8/52
D507,467	S	*	7/2005	Eidson	D8/52
D563,745	S	*	3/2008	DeVries et al.	D8/52

\* cited by examiner

*Primary Examiner*—Charles A Rademaker

(74) *Attorney, Agent, or Firm*—Ryan Kromholz & Manion S.C.

(57) **CLAIM**

The ornamental design for a gripping device, as shown and described.

**DESCRIPTION**

FIG. 1 is a right side perspective view of a gripping device showing my new design;

FIG. 2 is a left side perspective view thereof;

FIG. 3 is another left side perspective view thereof in an alternate position;

FIG. 4 is another left side perspective view thereof in an alternate position;

FIG. 5 is a right side elevation thereof with respect to FIG. 1;

FIG. 6 is a right side elevation thereof with respect to FIG. 3;

FIG. 7 is a left side elevation view with respect to FIG. 1;

FIG. 8 is a left side elevation with respect to FIG. 3;

FIG. 9 is a left side elevation with respect to FIG. 4;

FIG. 10 is a top plan view thereof;

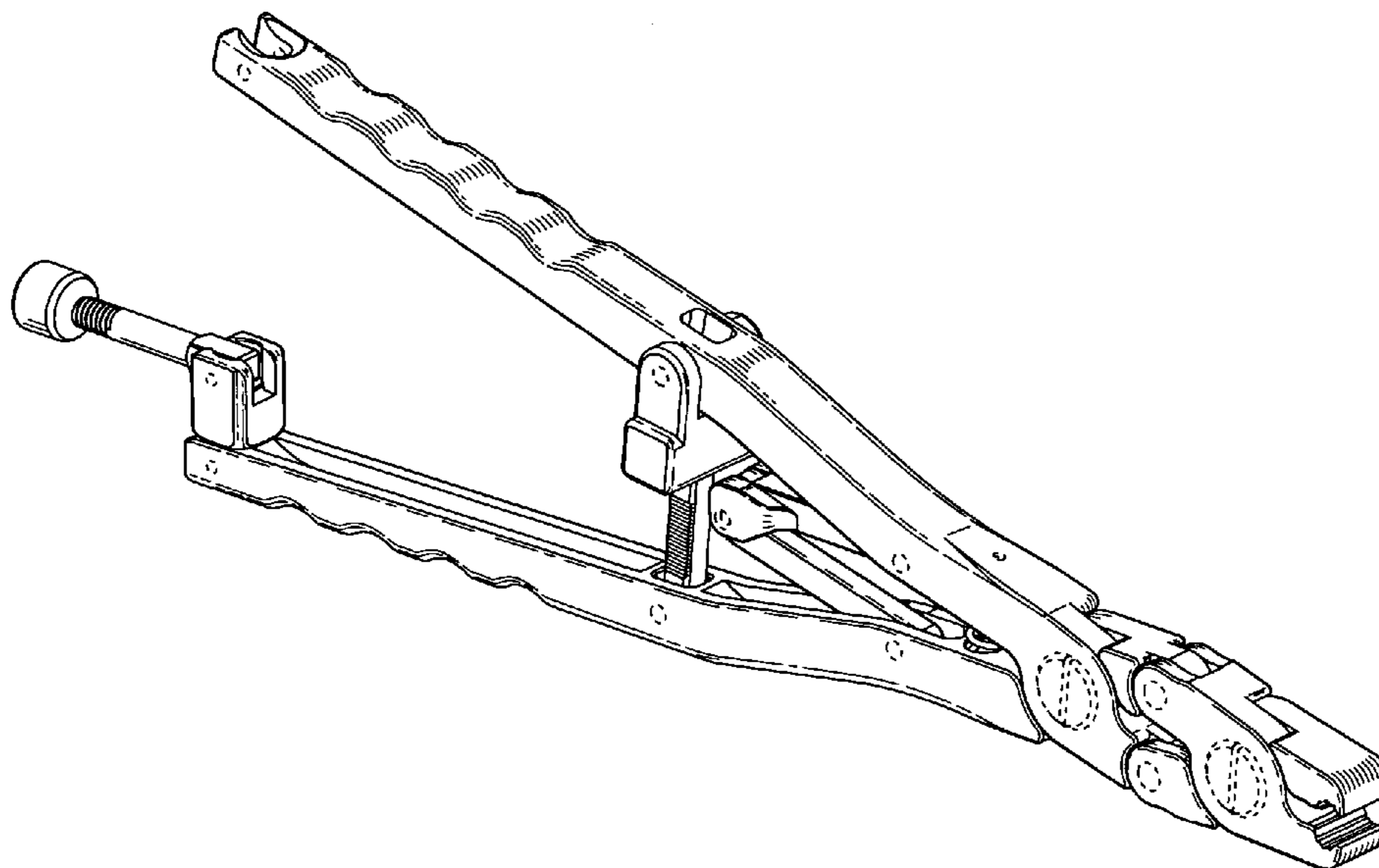
FIG. 11 is a bottom plan view thereof;

FIG. 12 is a front elevation thereof; and,

FIG. 13 is a rear elevation thereof.

The broken line shown in the drawings illustrate structural environment and form no part of the claimed design.

**1 Claim, 5 Drawing Sheets**



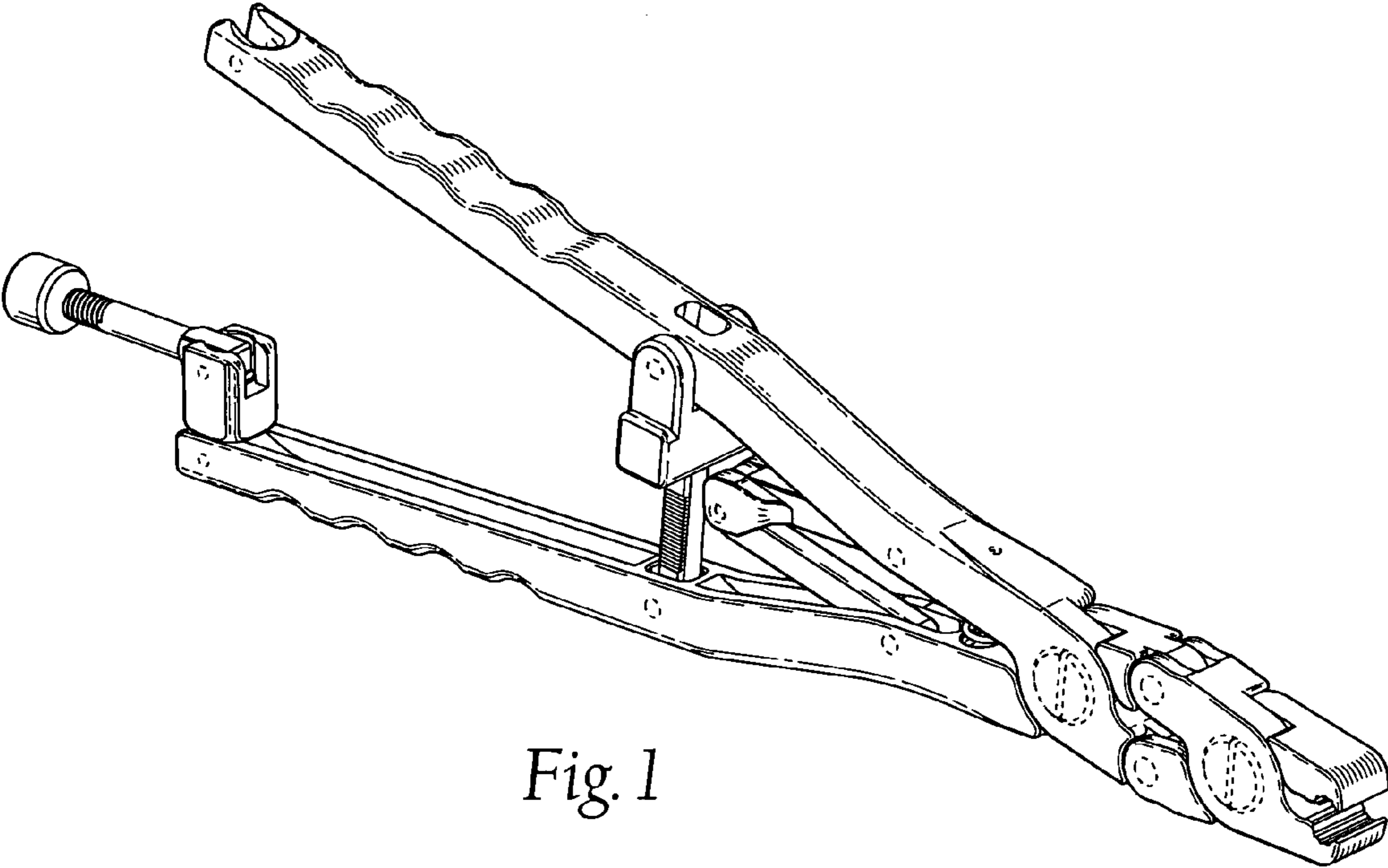


Fig. 1

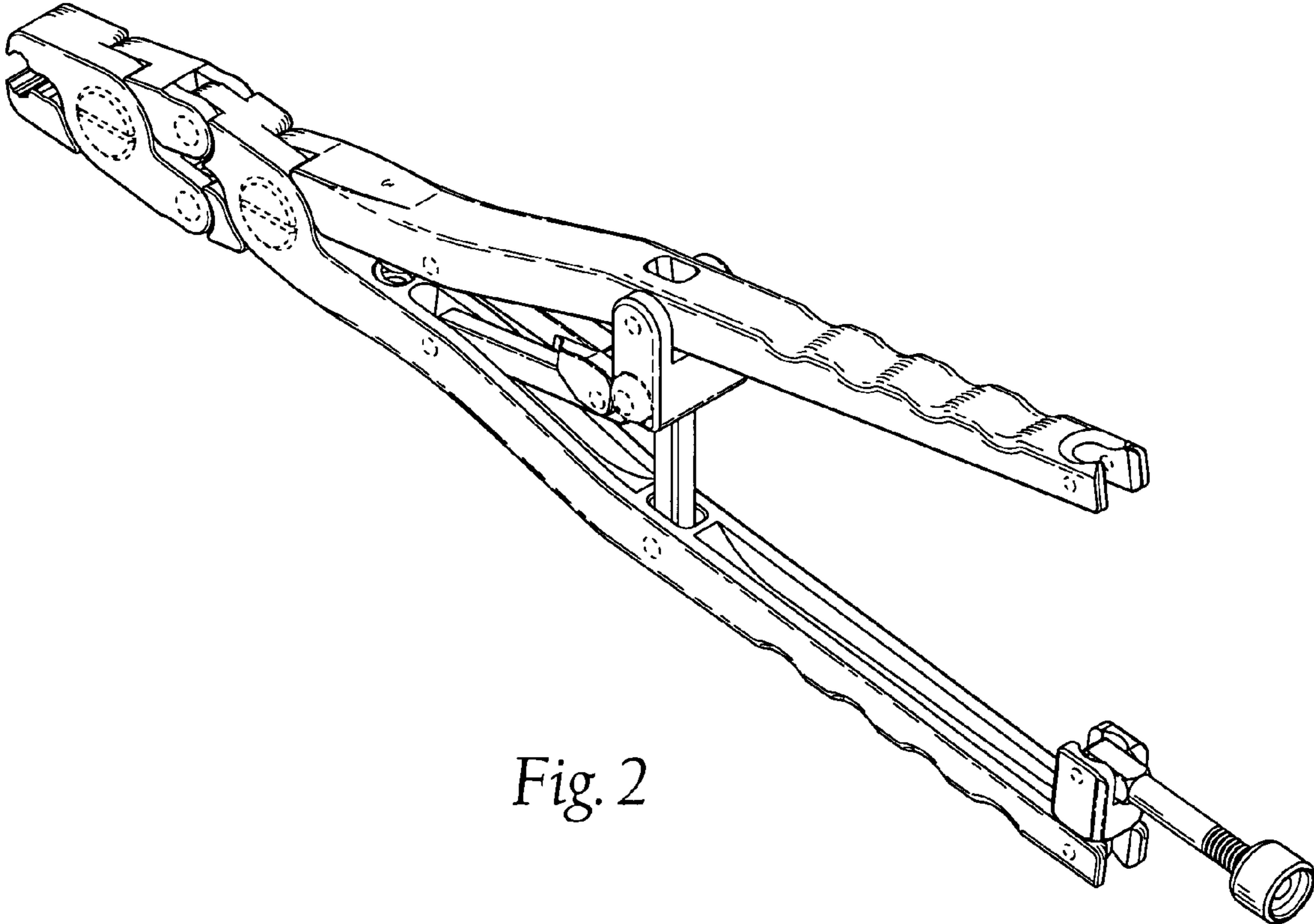


Fig. 2

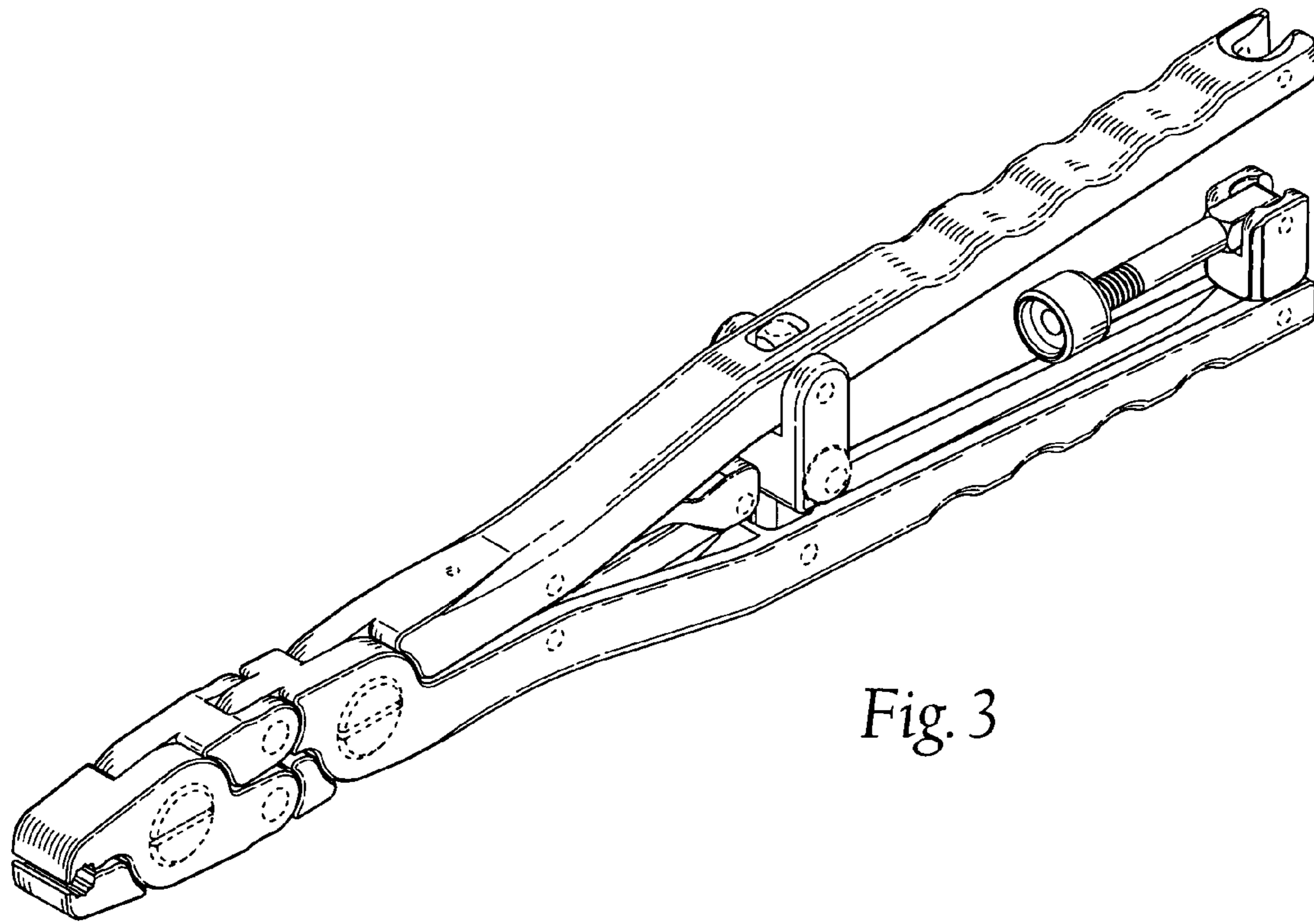


Fig. 3

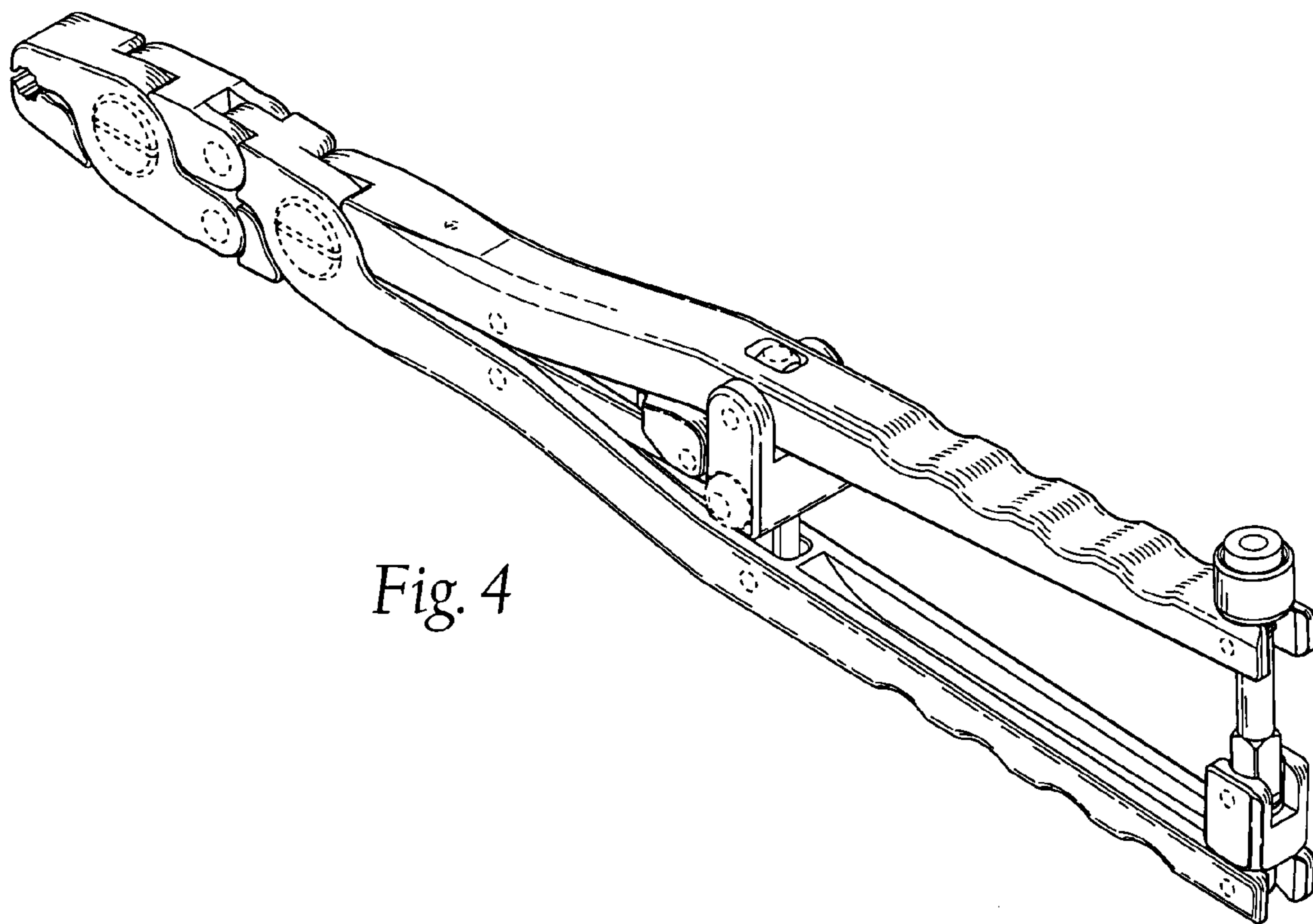


Fig. 4

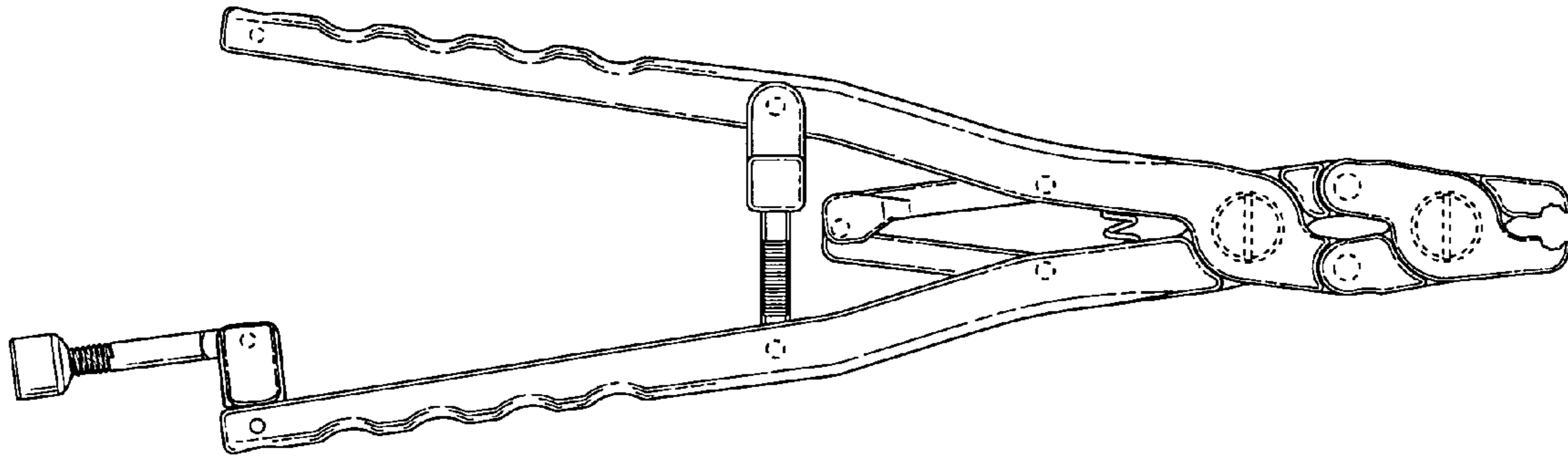


Fig. 5

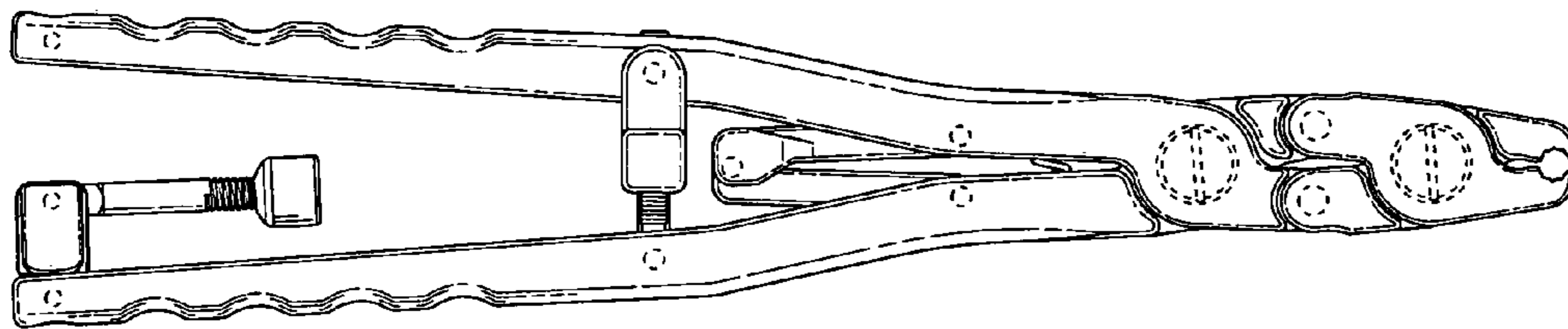


Fig. 6

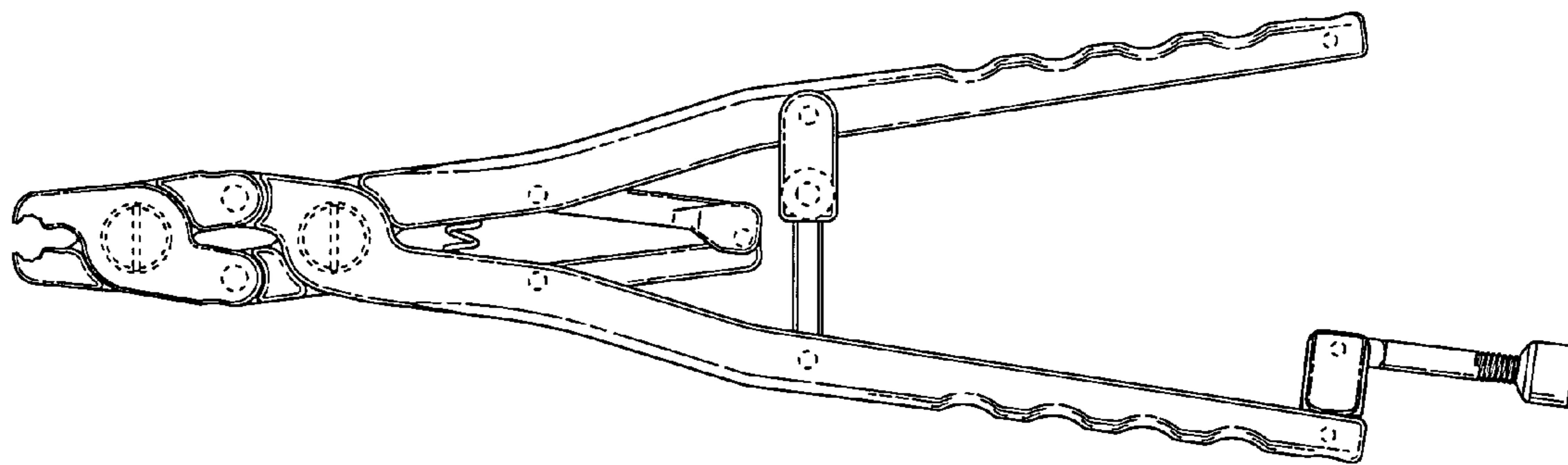


Fig. 7

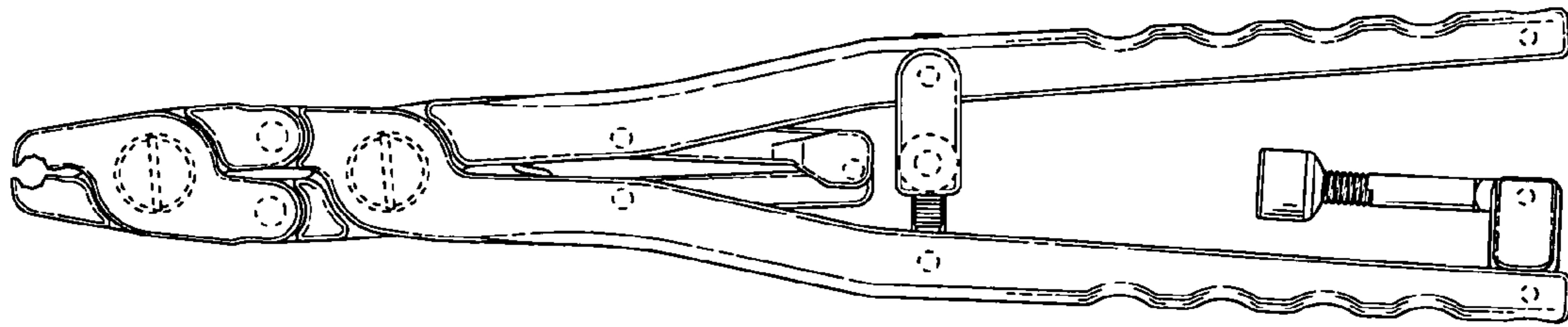


Fig. 8

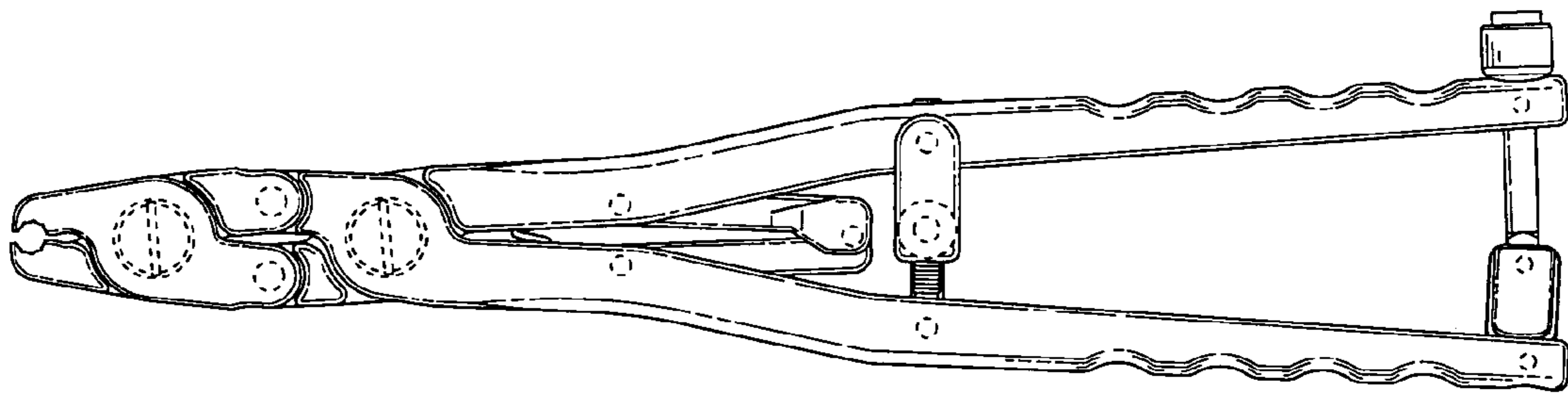


Fig. 9

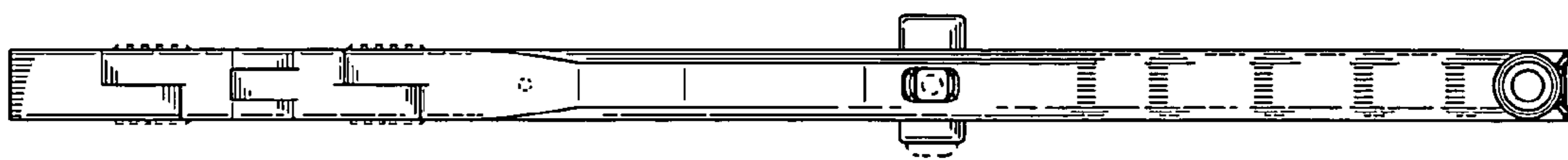
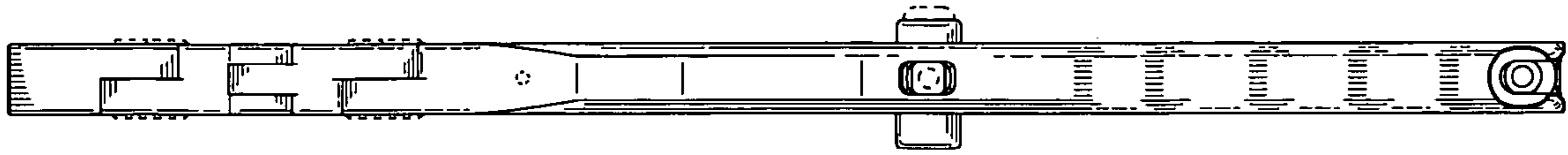
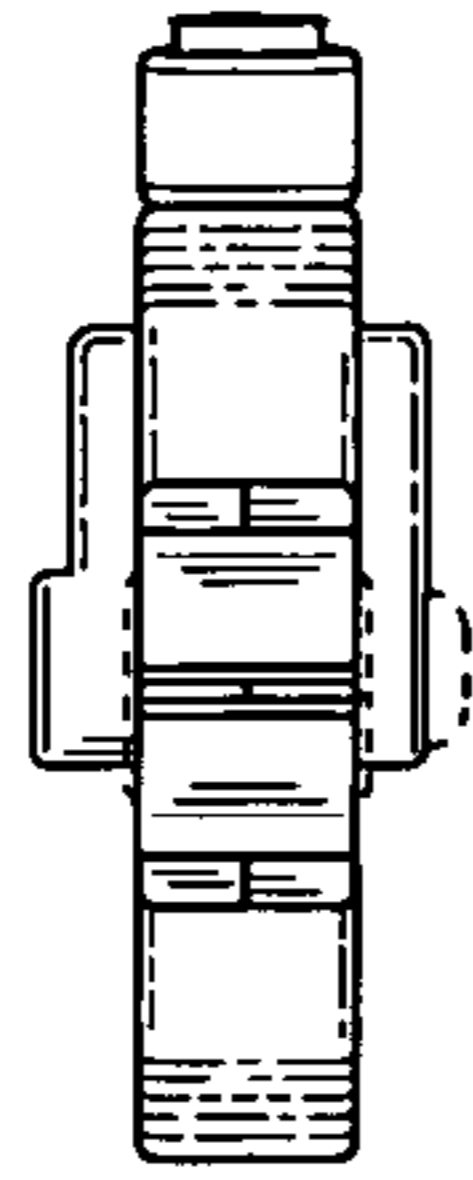


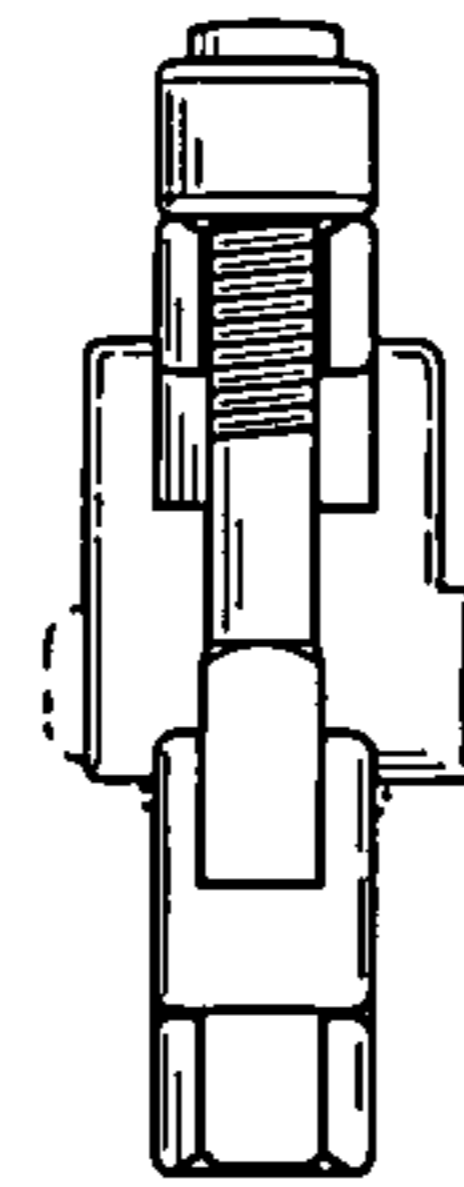
Fig. 10



*Fig. 11*



*Fig. 12*



*Fig. 13*