



US00D596292S

(12) **United States Design Patent**  
**Logar**

(10) **Patent No.:** **US D596,292 S**  
(45) **Date of Patent:** **\*\* Jul. 14, 2009**

(54) **INTERDENTAL SPACE CLEANER**  
(76) Inventor: **Tom Logar**, 3974 N. Ocean Dr., Singer  
Island, FL (US) 33404  
(\*\*) Term: **14 Years**  
(21) Appl. No.: **29/281,985**  
(22) Filed: **Jul. 9, 2007**

D397,253 S \* 8/1998 Satterfield ..... D4/104  
D461,641 S \* 8/2002 Davis ..... D4/104  
D465,089 S \* 11/2002 Harada ..... D4/104  
6,821,121 B2 \* 11/2004 Rosen ..... 433/142  
D507,380 S \* 7/2005 Le ..... D28/65  
D533,944 S \* 12/2006 Sullivan et al. .... D24/147

\* cited by examiner

*Primary Examiner*—Charles A Rademaker

(51) **LOC (9) Cl.** ..... **24-02**  
(52) **U.S. Cl.** ..... **D24/152; D4/104**  
(58) **Field of Classification Search** ..... D24/155,  
D24/156, 107, 176, 180, 181, 182, 152, 154,  
D24/147; 433/173, 176, 49, 70, 168.1, 38,  
433/39, 40, 47, 142, 141; D8/387, 388; D29/108,  
D29/100; 128/859, 861, 862; 72/68, 299,  
72/316; D4/103, 137, 199, 104; D19/35,  
D19/66, 100, 53; D28/68; 132/329  
See application file for complete search history.

(57) **CLAIM**

The ornamental design for an interdental space cleaner, as shown and described.

**DESCRIPTION**

FIG. 1 is a top perspective view of an interdental space cleaner showing my new design;

FIG. 2 is a top plan view thereof shown on a slightly reduced scale;

FIG. 3 is a left side elevation of the side opposite that shown in FIG. 2;

FIG. 4 is a rear elevation thereof; and,

FIG. 5 is a front elevation thereof.

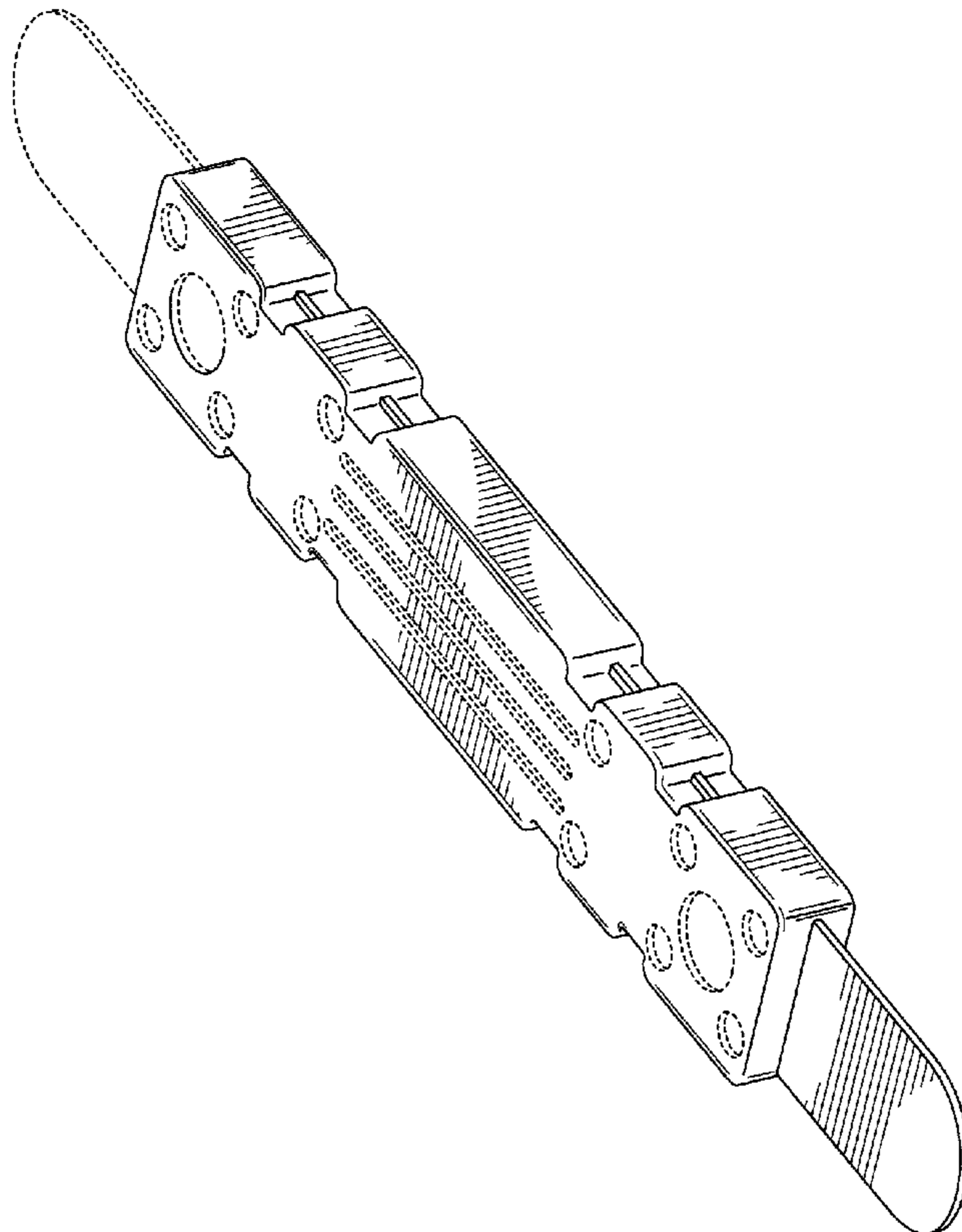
The broken lines shown in the drawings are included for the purpose of illustrating environmental structure and form no part of the claimed design.

(56) **References Cited**

U.S. PATENT DOCUMENTS

D101,325 S \* 9/1936 Brown ..... D24/147  
D310,139 S \* 8/1990 Moharram ..... D4/104  
D324,424 S \* 3/1992 Michelson ..... D24/147  
D361,208 S \* 8/1995 Woods et al. .... D4/104  
5,680,876 A \* 10/1997 Hasham et al. .... 132/329  
5,704,388 A \* 1/1998 Freeman ..... 132/329  
5,769,103 A \* 6/1998 Turjak ..... 132/329

**1 Claim, 2 Drawing Sheets**



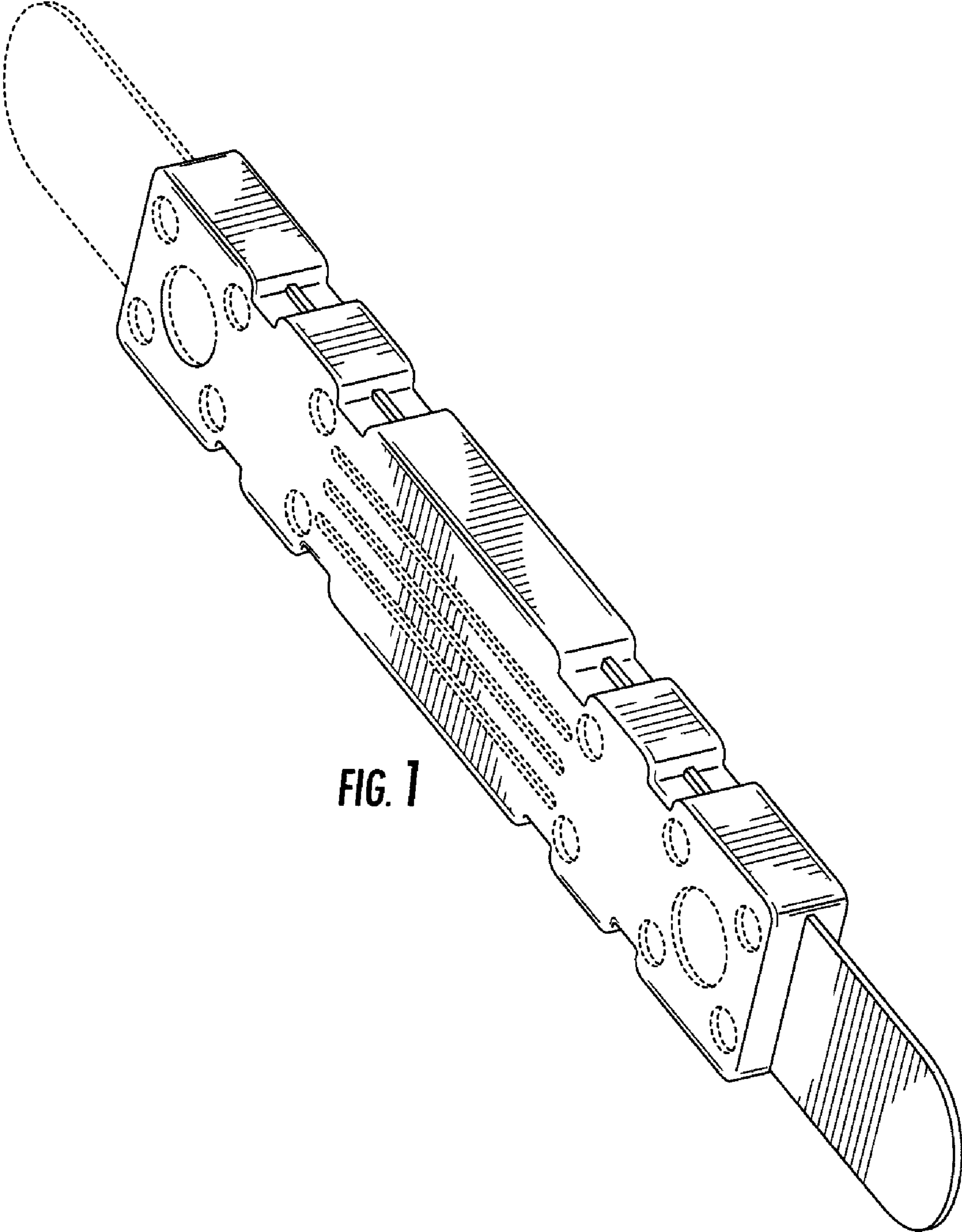
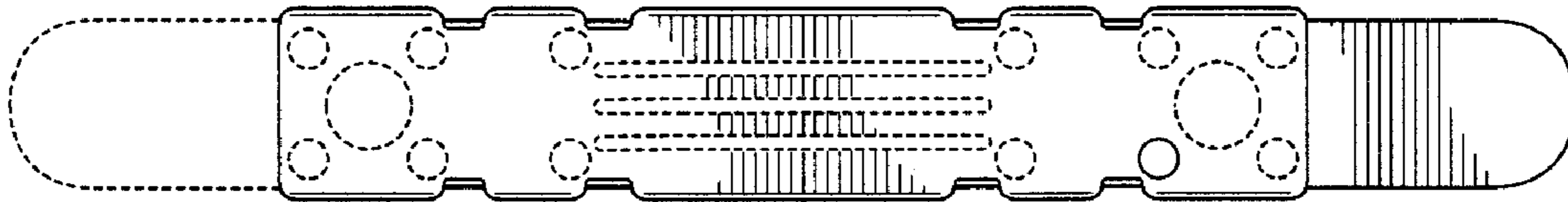
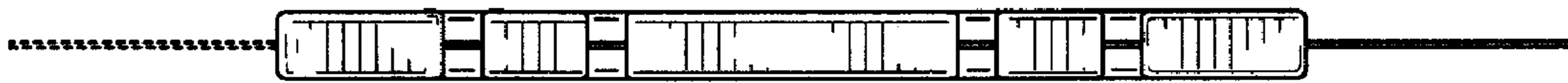


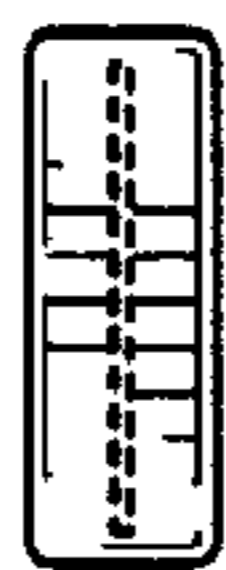
FIG. 1



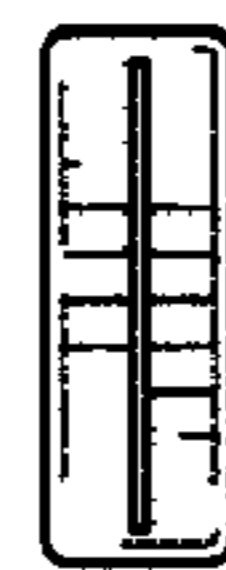
**FIG. 2**



**FIG. 3**



**FIG. 4**



**FIG. 5**