



US00D596291S

(12) **United States Design Patent**  
**Berberich et al.**

(10) **Patent No.:** **US D596,291 S**  
(45) **Date of Patent:** **\*\* Jul. 14, 2009**

(54) **MEDICAL INSTRUMENT**

(75) Inventors: **Sascha Berberich**, Tuttlingen (DE);  
**Rickey Hart**, Marco Island, FL (US);  
**Bodo Kreidler**, Tuttlingen (DE); **Glenn Prechac**, Thousand Oaks, CA (US)

(73) Assignee: **Karl Storz GmbH & Co. KG** (DE)

(\*\*) Term: **14 Years**

(21) Appl. No.: **29/304,191**

(22) Filed: **Feb. 27, 2008**

(30) **Foreign Application Priority Data**

Aug. 31, 2007 (EM) ..... 000781877

(51) **LOC (9) Cl.** ..... **24-02**

(52) **U.S. Cl.** ..... **D24/133; D24/138**

(58) **Field of Classification Search** ..... D24/146,  
D24/147, 133, 137, 138, 143, 145; 600/101,  
600/105, 153, 156, 136, 137, 138; 606/46,  
606/96, 49, 170, 180, 205, 108  
See application file for complete search history.

(56) **References Cited**

**U.S. PATENT DOCUMENTS**

1,967,015 A \* 7/1934 Wappler ..... 606/49  
5,320,091 A \* 6/1994 Grossi et al. .... 600/104  
5,445,168 A \* 8/1995 Krebs ..... 128/898

5,807,240 A \* 9/1998 Muller et al. .... 600/135  
D536,787 S \* 2/2007 Rehbein et al. .... D24/133  
D559,980 S \* 1/2008 Rehbein et al. .... D24/133  
D570,479 S \* 6/2008 Rehbein et al. .... D24/133  
D570,480 S \* 6/2008 Rehbein et al. .... D24/133  
D570,482 S \* 6/2008 Bettocchi ..... D24/138  
D573,257 S \* 7/2008 Rehbein et al. .... D24/133  
D580,051 S \* 11/2008 Rehbein et al. .... D24/133

\* cited by examiner

*Primary Examiner*—Ian Simmons

*Assistant Examiner*—Christopher Lee

(74) *Attorney, Agent, or Firm*—St. Onge Steward Johnston & Reens LLC

(57) **CLAIM**

The ornamental design for a medical instrument, as shown and described.

**DESCRIPTION**

FIG. 1 is a front perspective view of the medical instrument in accordance with the new design;

FIG. 2 is a front view thereof;

FIG. 3 is a rear view thereof;

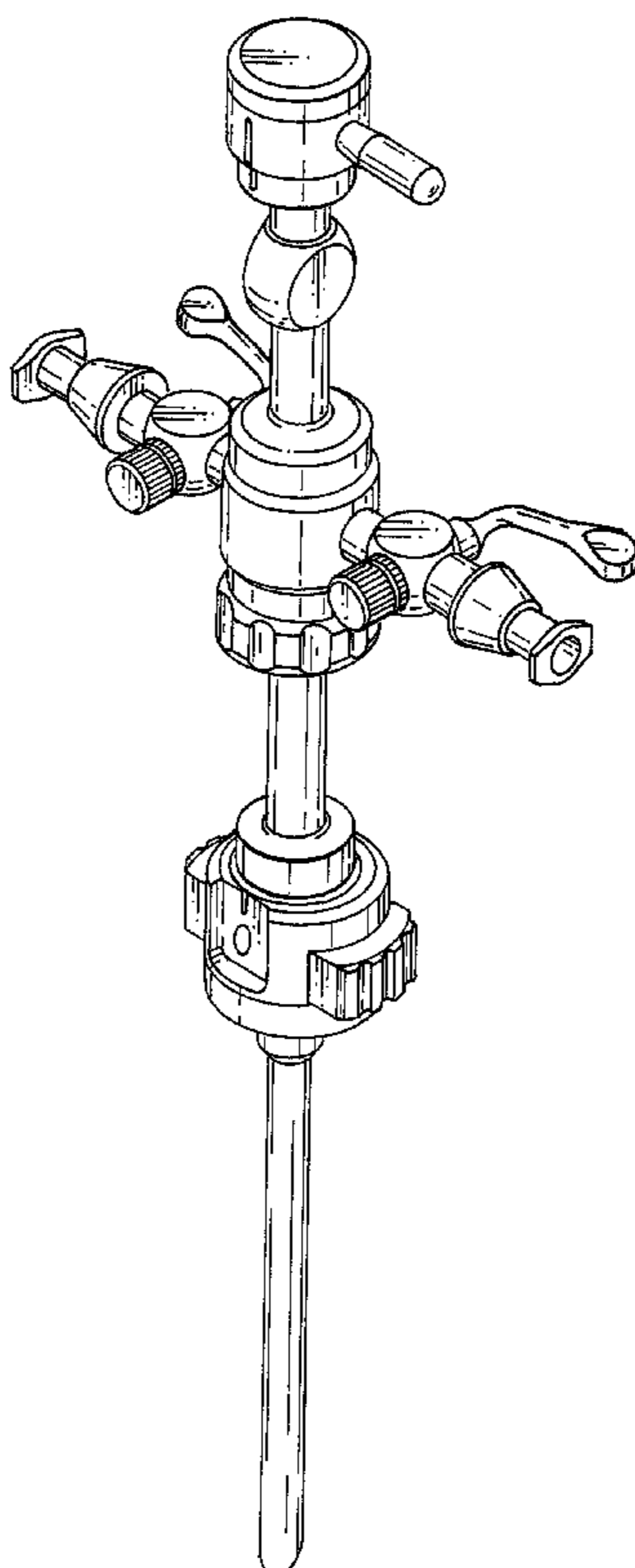
FIG. 4 is a right side view thereof;

FIG. 5 is a left side view thereof;

FIG. 6 is a top view thereof; and,

FIG. 7 is a bottom view thereof.

**1 Claim, 5 Drawing Sheets**



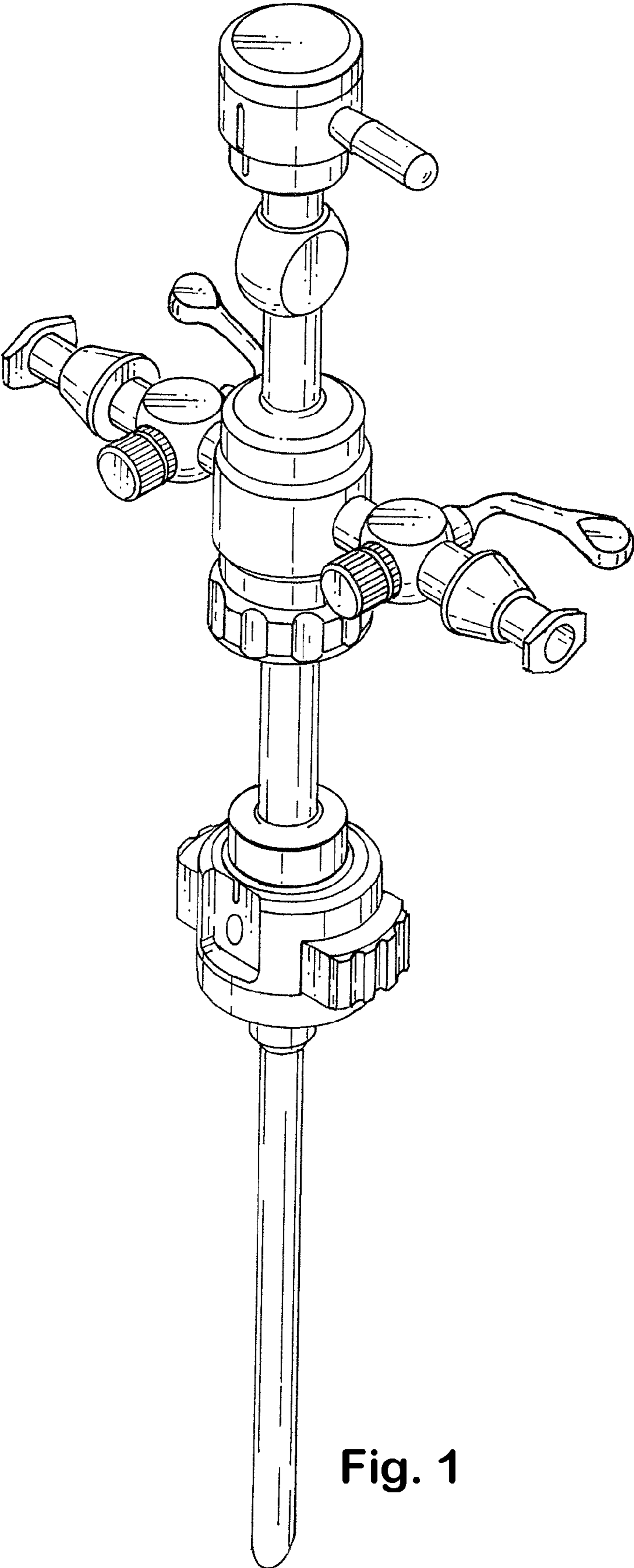


Fig. 1

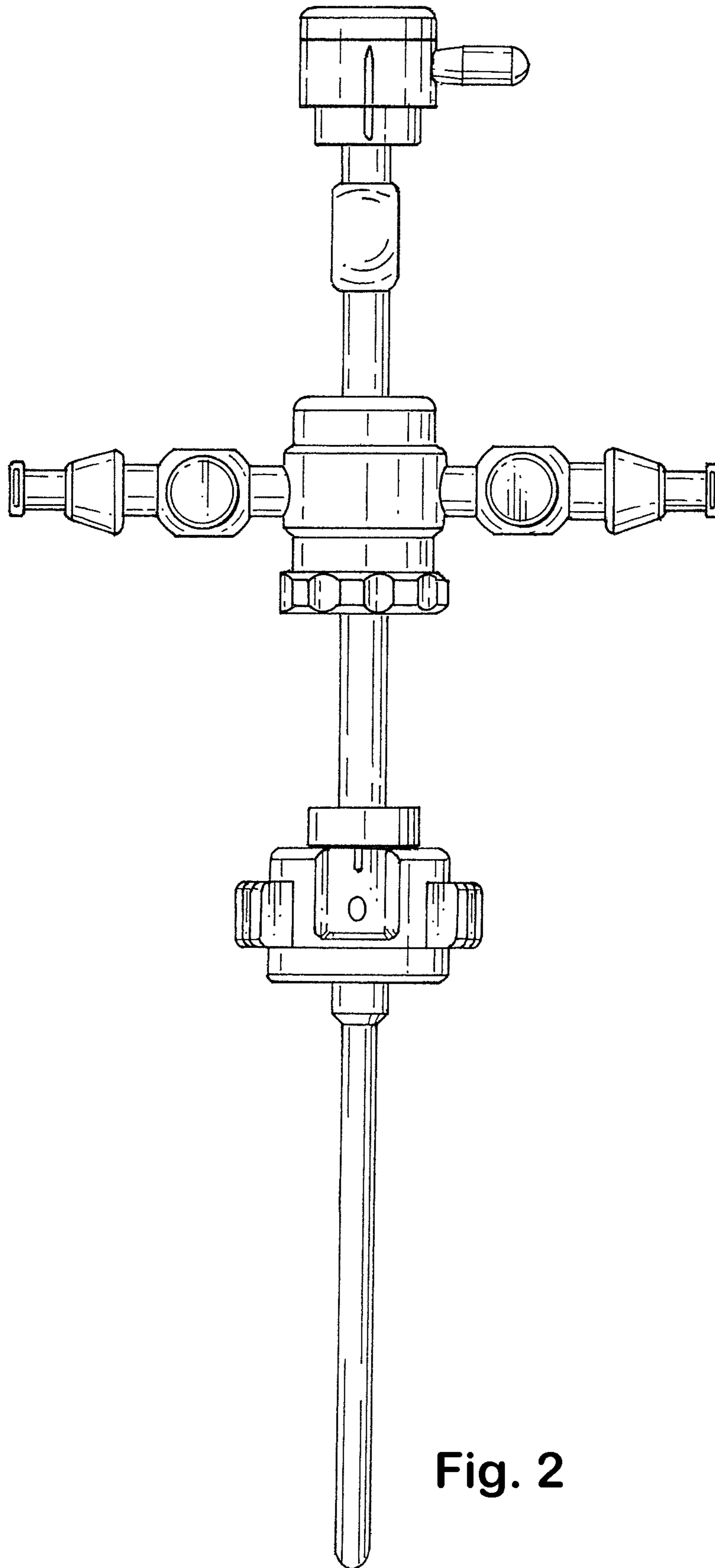


Fig. 2

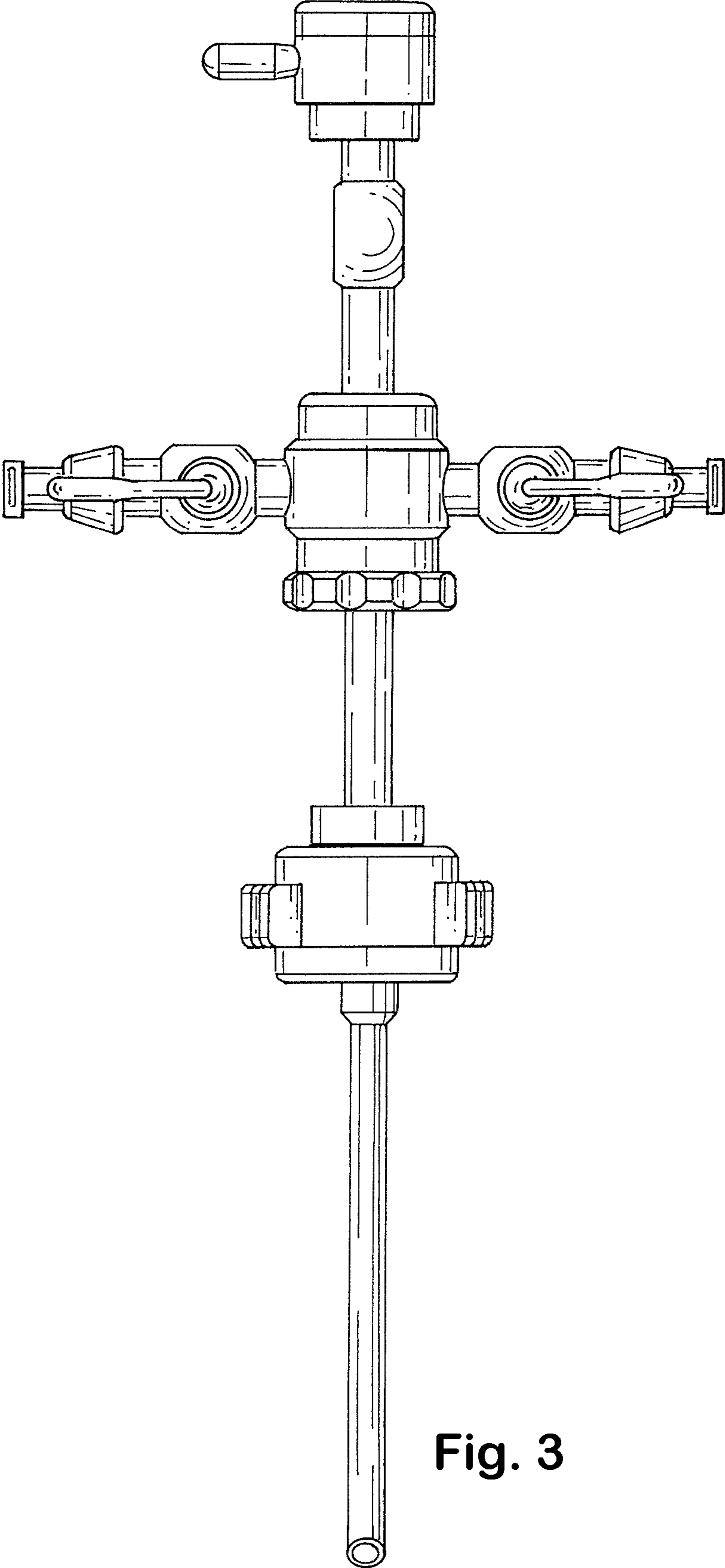


Fig. 3

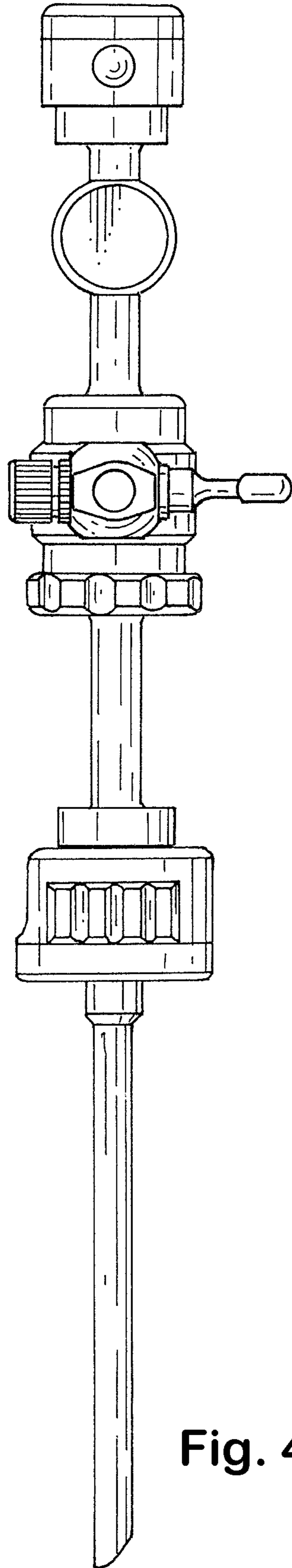


Fig. 4

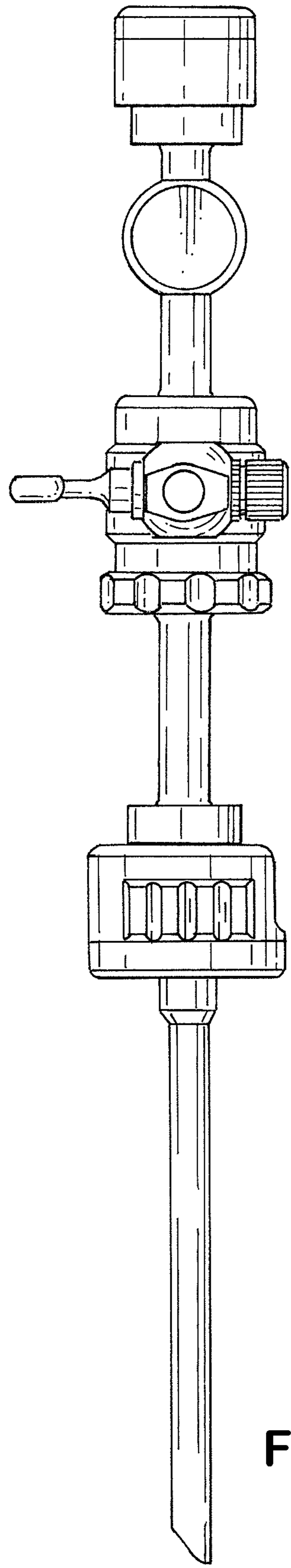


Fig. 5

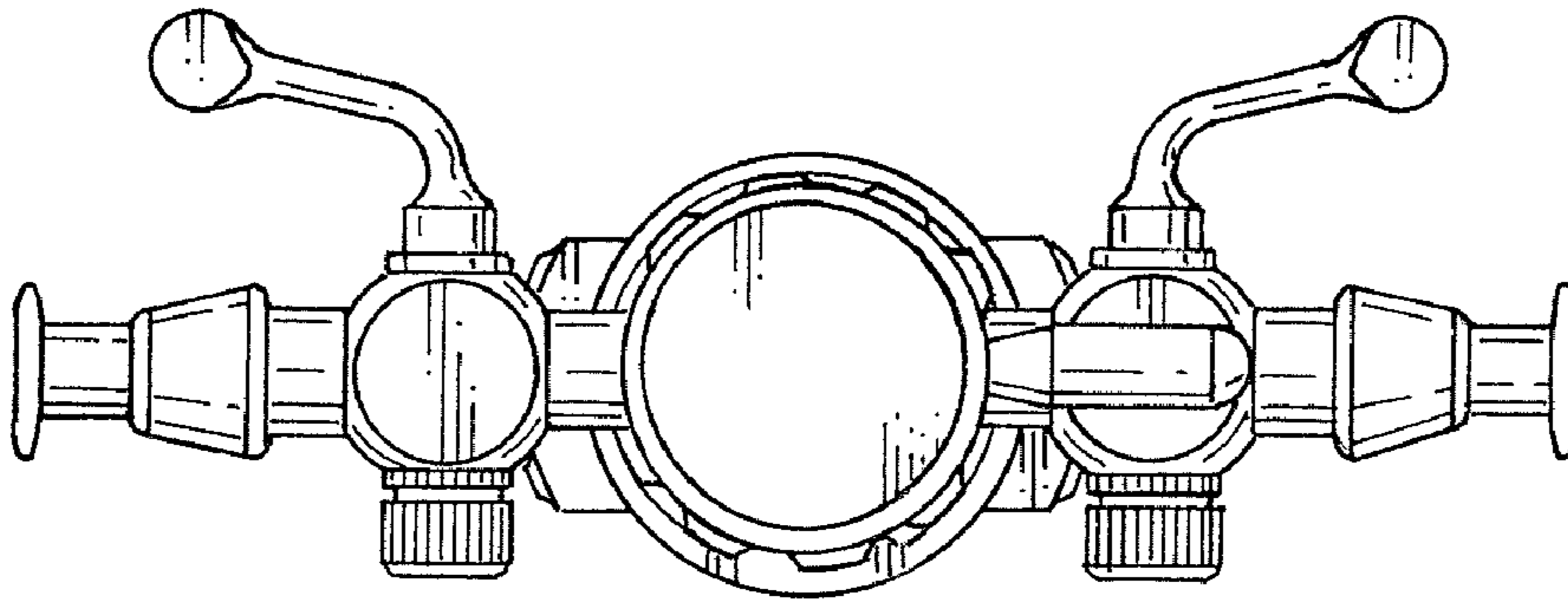


Fig. 6

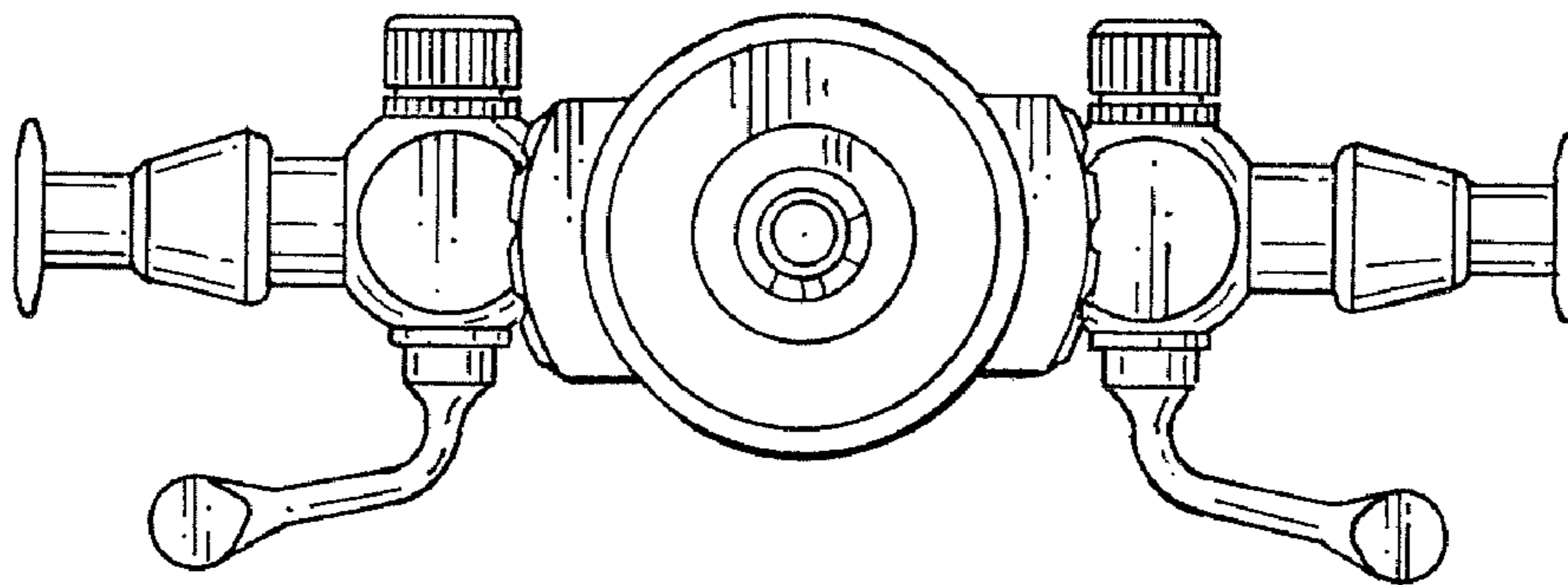


Fig. 7