



US00D596290S

(12) **United States Design Patent**
Kawamura

(10) **Patent No.:** **US D596,290 S**
(45) **Date of Patent:** **** Jul. 14, 2009**

(54) **SYRINGE BARREL BODY COVER**

2008/0027397 A1* 1/2008 DeRuntz et al. 604/220

(75) Inventor: **Hideaki Kawamura**, Tokyo (JP)

* cited by examiner

(73) Assignee: **Daikyo Seiko, Ltd.**, Tokyo (JP)

Primary Examiner—T. Chase Nelson
Assistant Examiner—Eric L Goodman

(**) Term: **14 Years**

(74) *Attorney, Agent, or Firm*—The Webb Law Firm

(21) Appl. No.: **29/320,273**

(57) **CLAIM**

(22) Filed: **Jun. 24, 2008**

The ornamental design for a syringe barrel body cover, as shown and described.

(30) **Foreign Application Priority Data**

DESCRIPTION

Dec. 25, 2007 (JP) 2007-035369

(51) **LOC (9) Cl.** **24-02**

(52) **U.S. Cl.** **D24/130**

(58) **Field of Classification Search** D24/130,
D24/112, 113, 224; D19/43, 45, 49, 51,
D19/56, 57; 600/576–577; 604/192–194,
604/198, 222, 403, 411, 414–415; 215/DIG. 3;
422/916

FIG. 1 is a front view of a syringe barrel body cover showing the new design;

FIG. 2 is a rear view of FIG. 1;

FIG. 3 is a top view of FIG. 1;

FIG. 4 is a bottom view of FIG. 1;

FIG. 5 is a left side view of FIG. 1;

FIG. 6 is a right side view of FIG. 1;

FIG. 7 is a cross-sectional view of FIG. 1 taken along line 7–7 of FIG. 5.

FIG. 8 is a perspective view of FIG. 1;

FIG. 9 is a cross-sectional view of FIG. 1 shown engaged with a syringe barrel and a syringe barrel nozzle cover; and,

FIG. 10 is an exploded cross-sectional view of FIG. 1 shown with a syringe barrel and a syringe barrel nozzle cover.

The broken lines in FIGS. 9–10 represent environment and are for illustrative purposes only and do not constitute part of the claimed design.

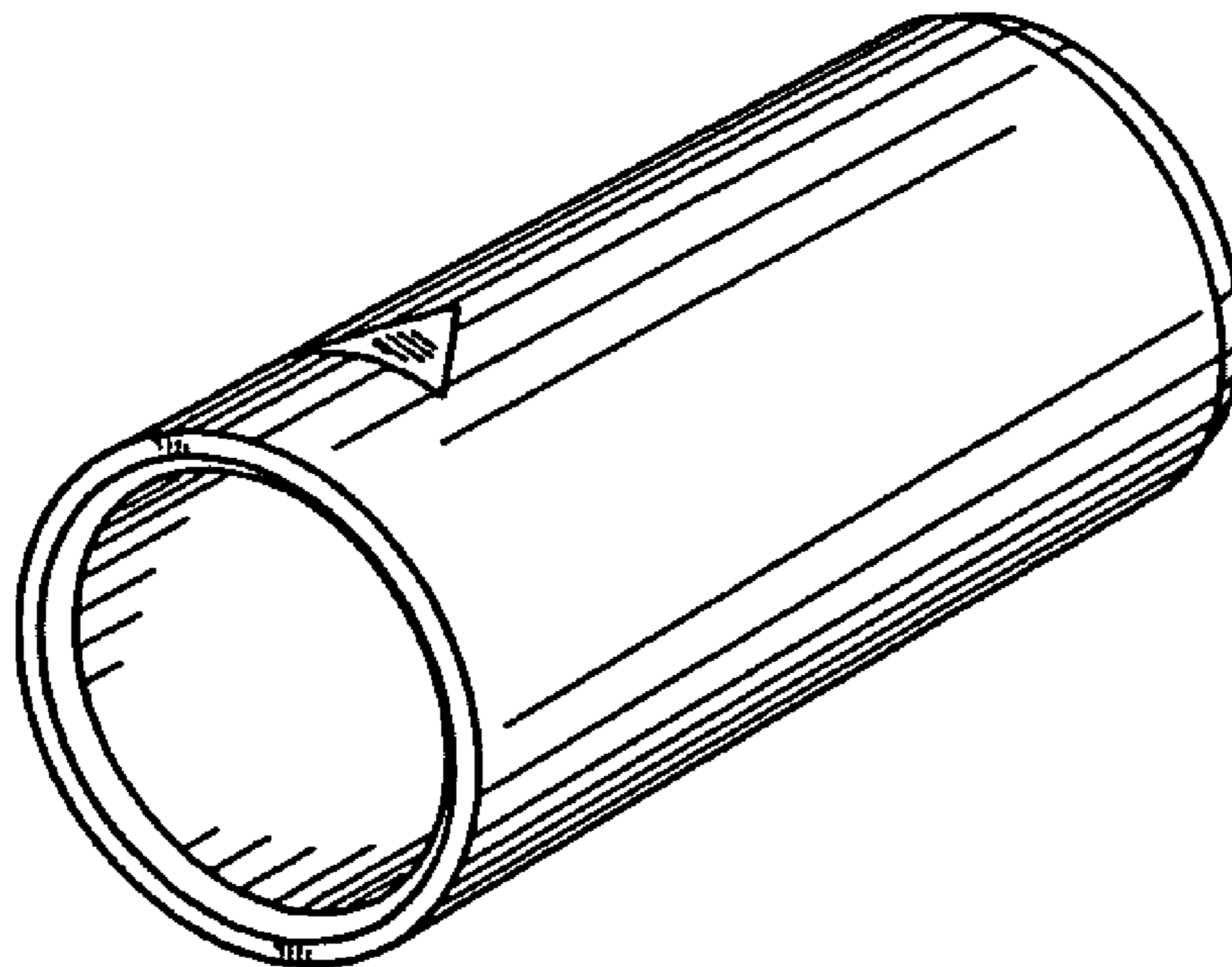
See application file for complete search history.

(56) **References Cited**

U.S. PATENT DOCUMENTS

D332,308	S	*	1/1993	Imbert et al.	D24/130
5,785,691	A	*	7/1998	Vetter et al.	604/187
D465,846	S	*	11/2002	Hwang	D24/130
6,569,119	B1	*	5/2003	Haberland et al.	604/167.03
6,632,199	B1	*	10/2003	Tucker et al.	604/192
2002/0099329	A1	*	7/2002	Castellano	604/70
2003/0181859	A1	*	9/2003	Brunel	604/192
2004/0127857	A1	*	7/2004	Shemesh et al.	604/198
2006/0206057	A1	*	9/2006	DeRuntz et al.	604/224
2006/0229569	A1	*	10/2006	Lavi et al.	604/197

1 Claim, 3 Drawing Sheets



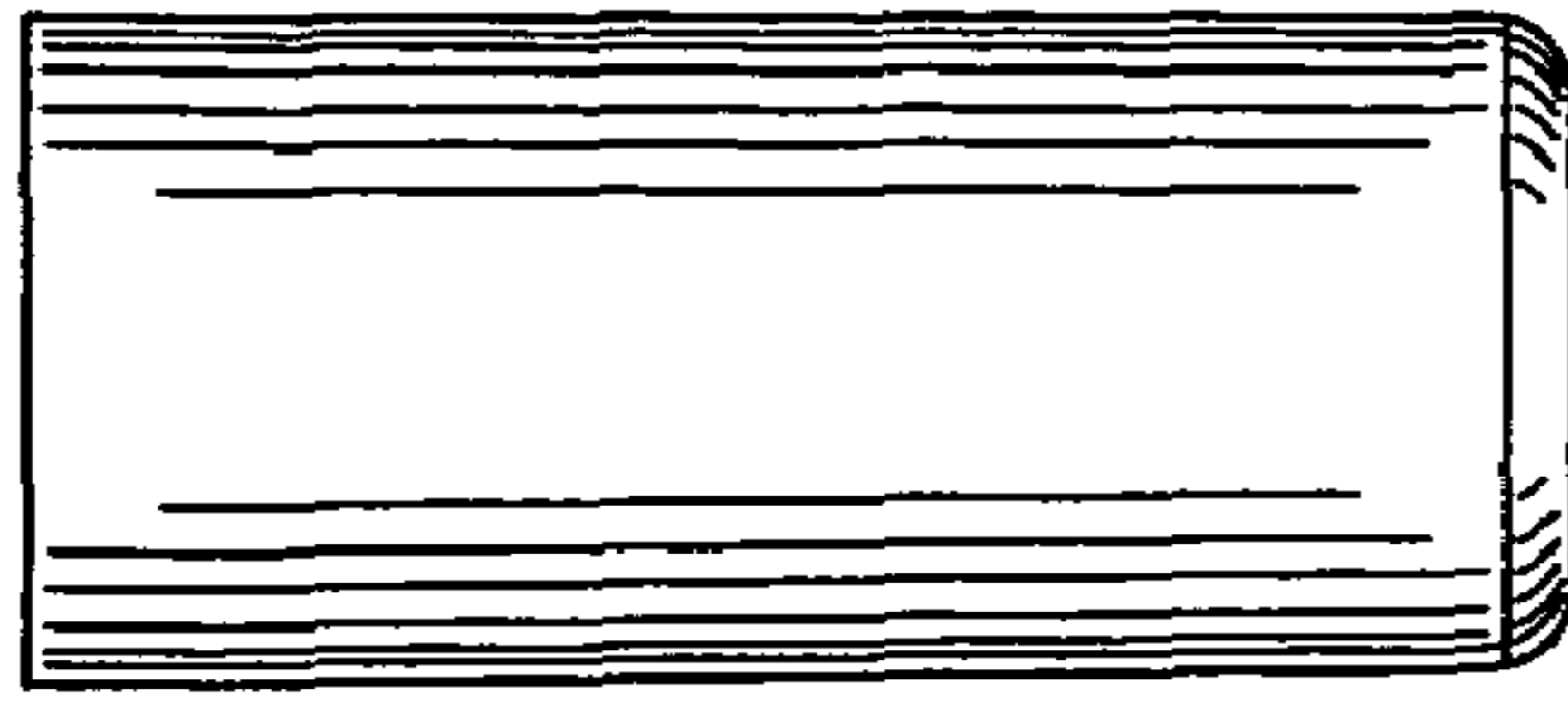


FIG. 1

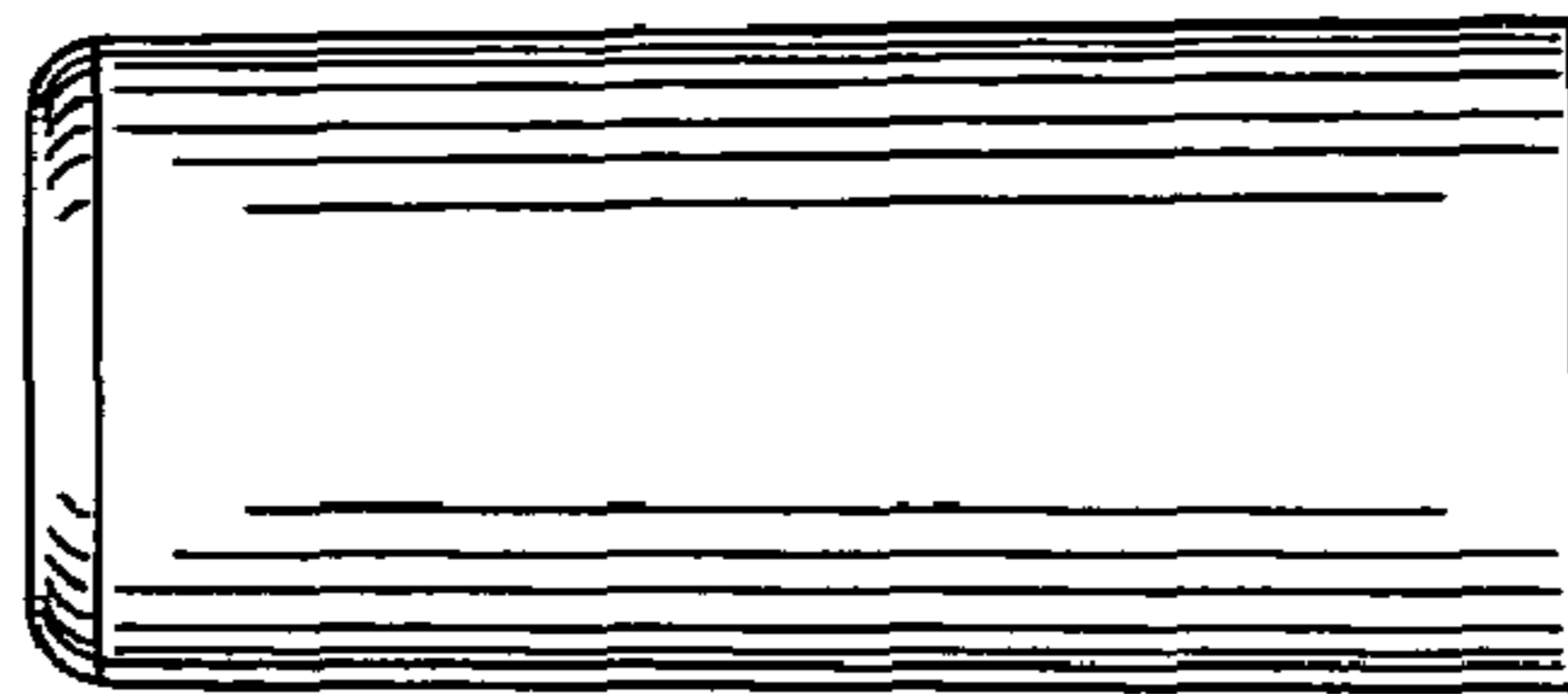


FIG. 2

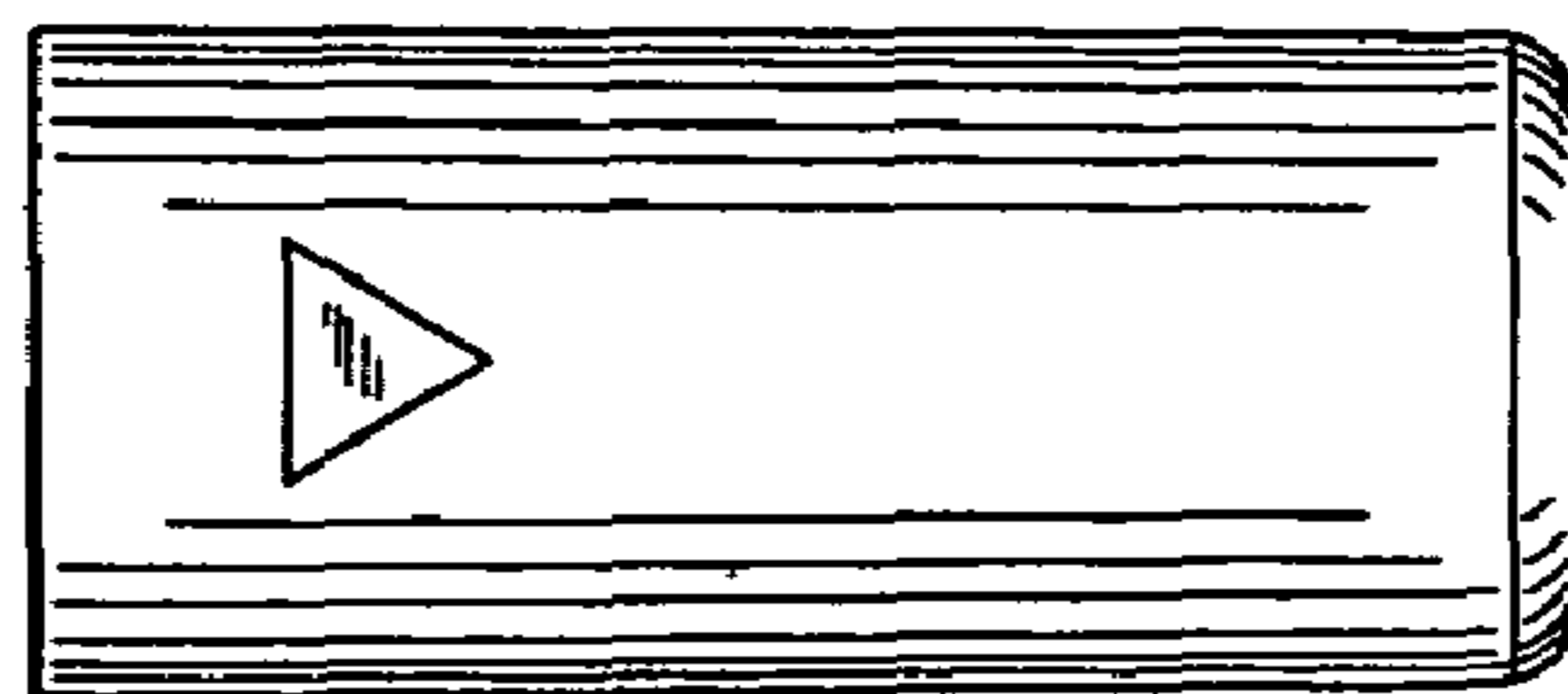


FIG. 3

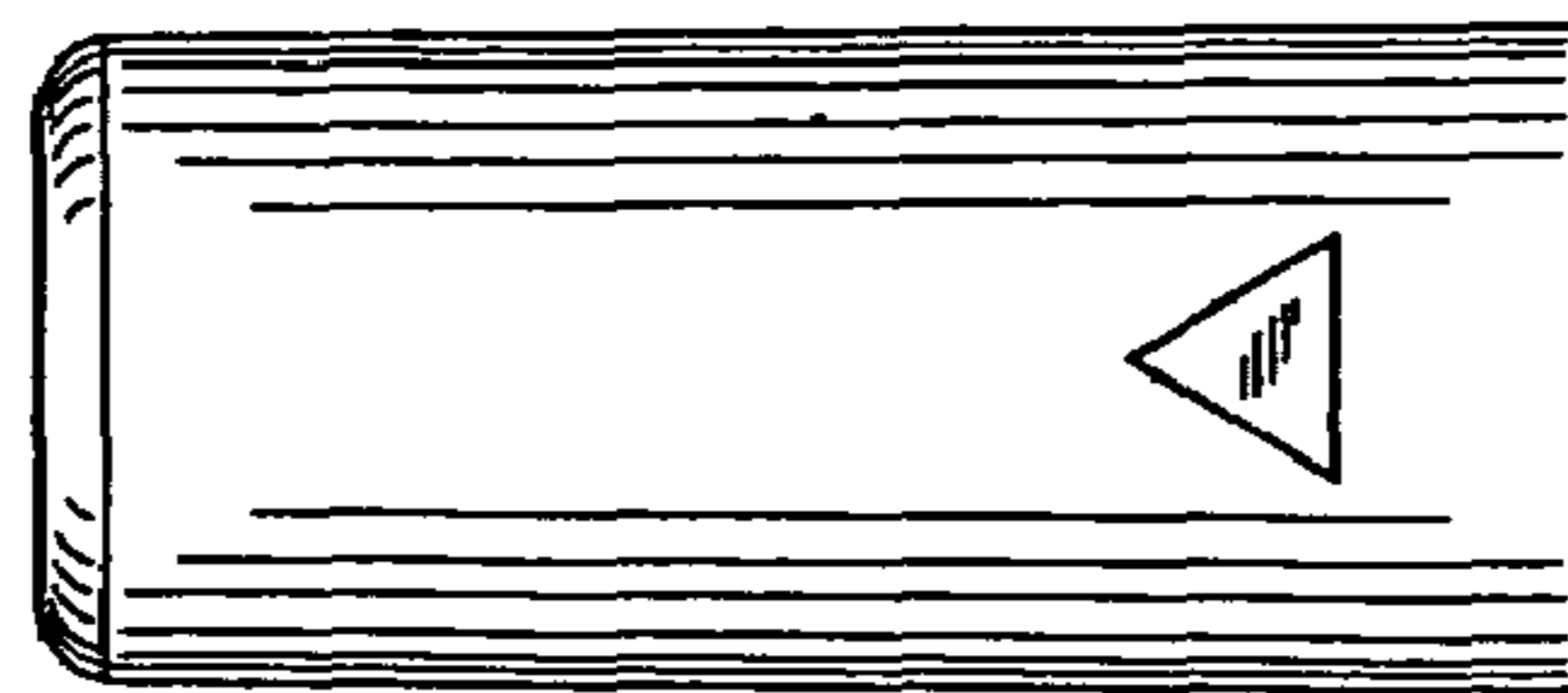


FIG. 4

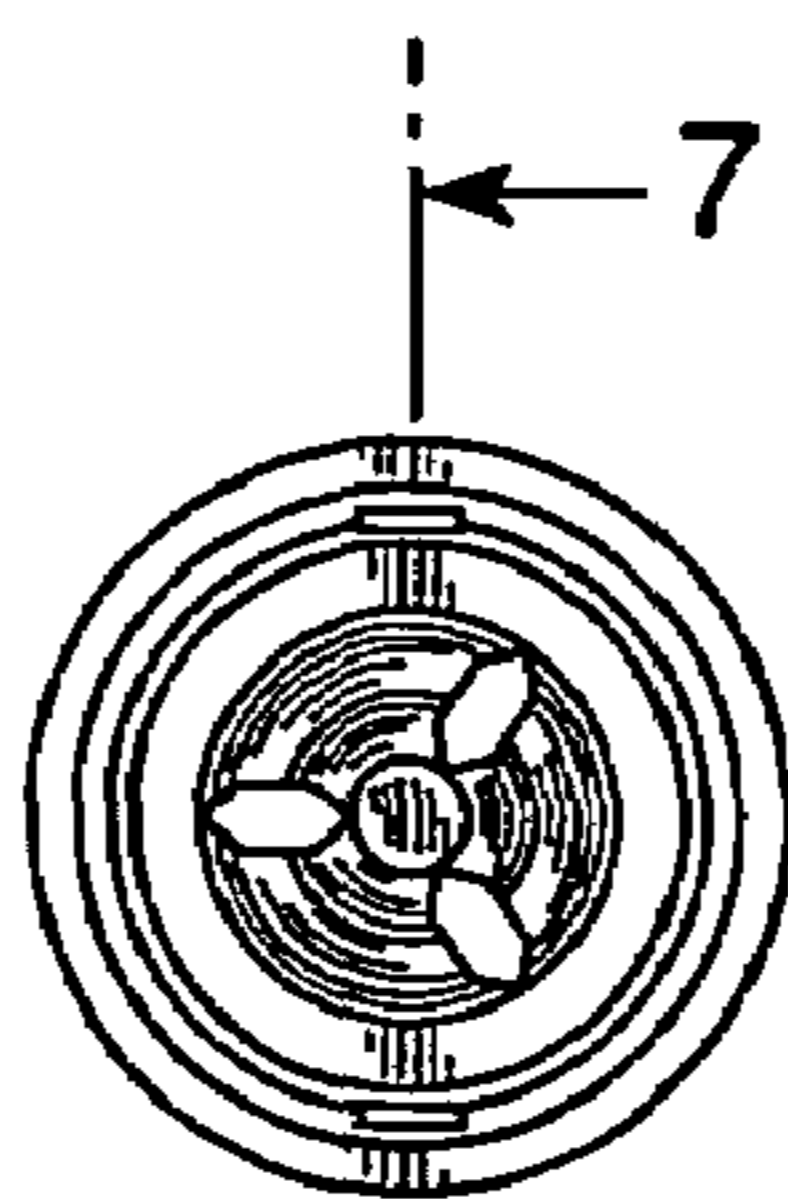


FIG. 5

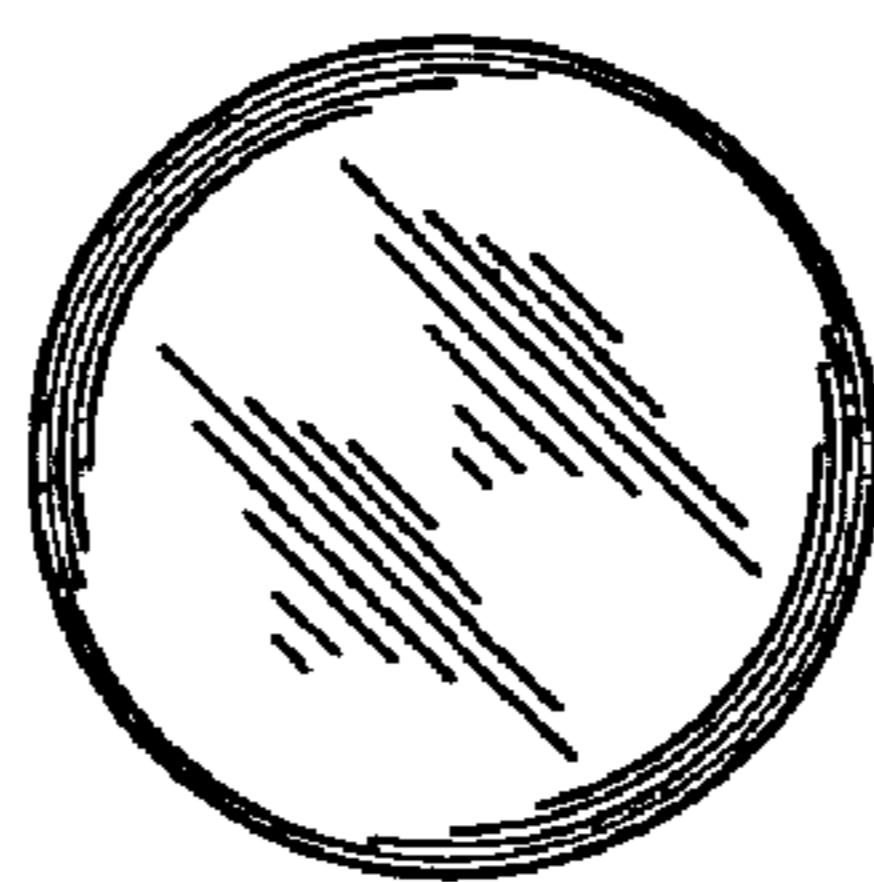


FIG. 6

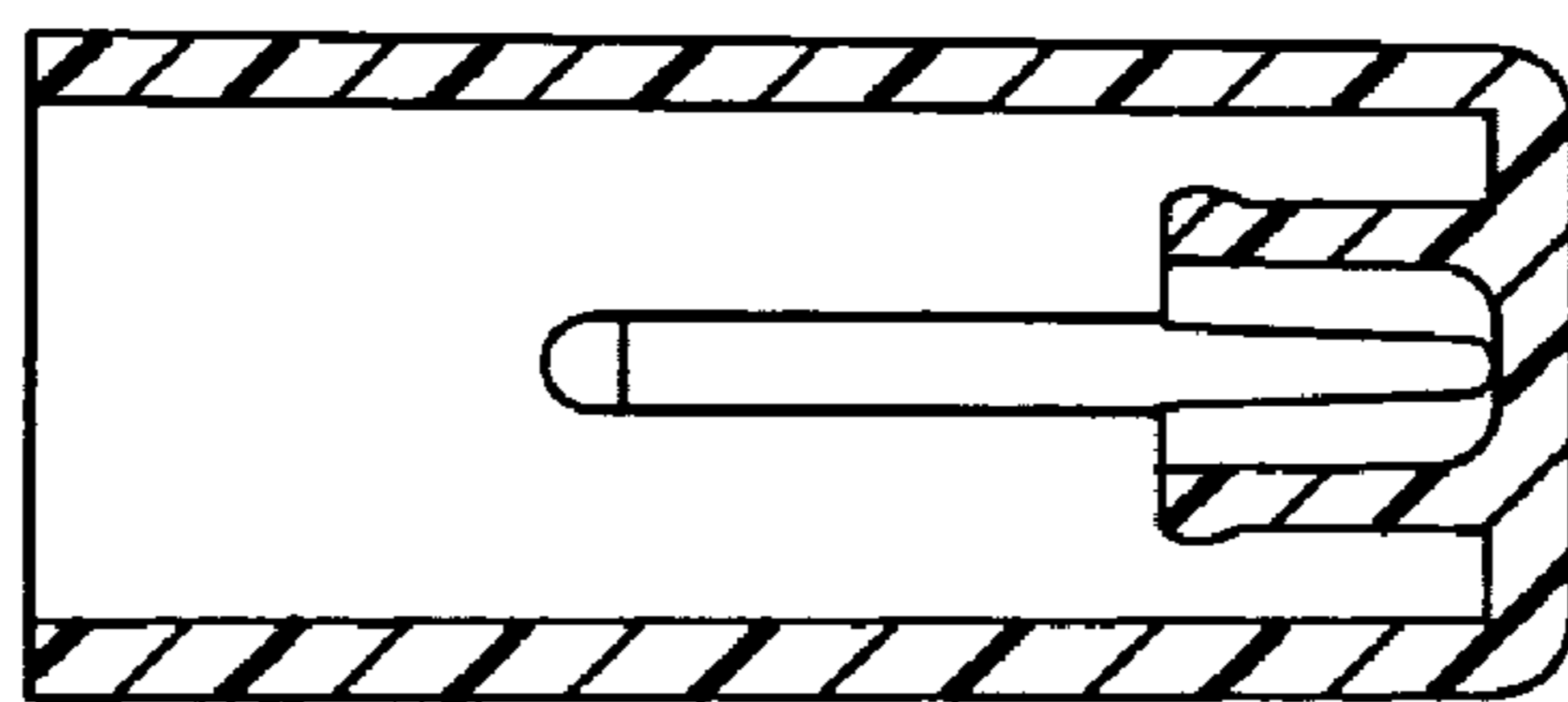


FIG. 7

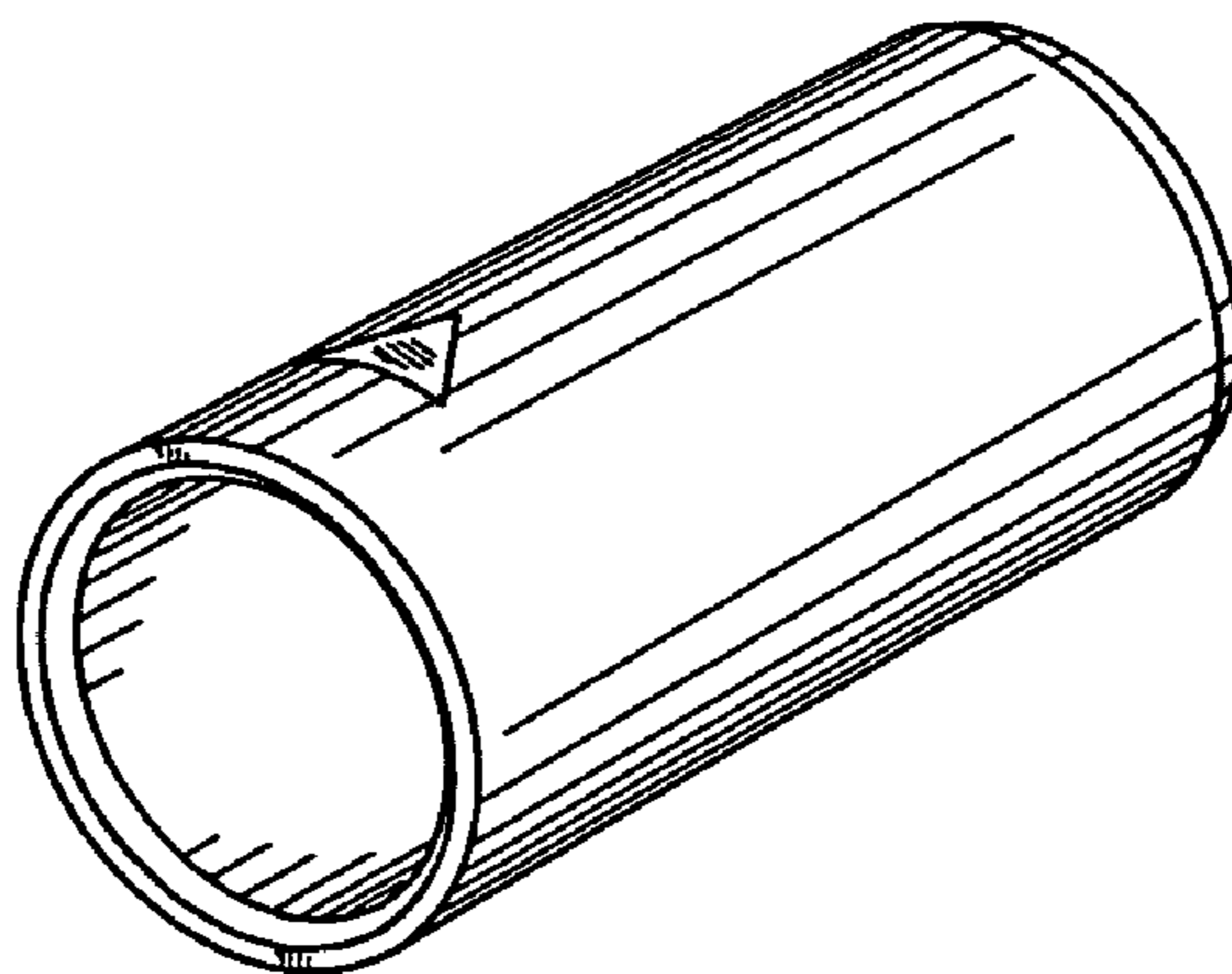


FIG. 8

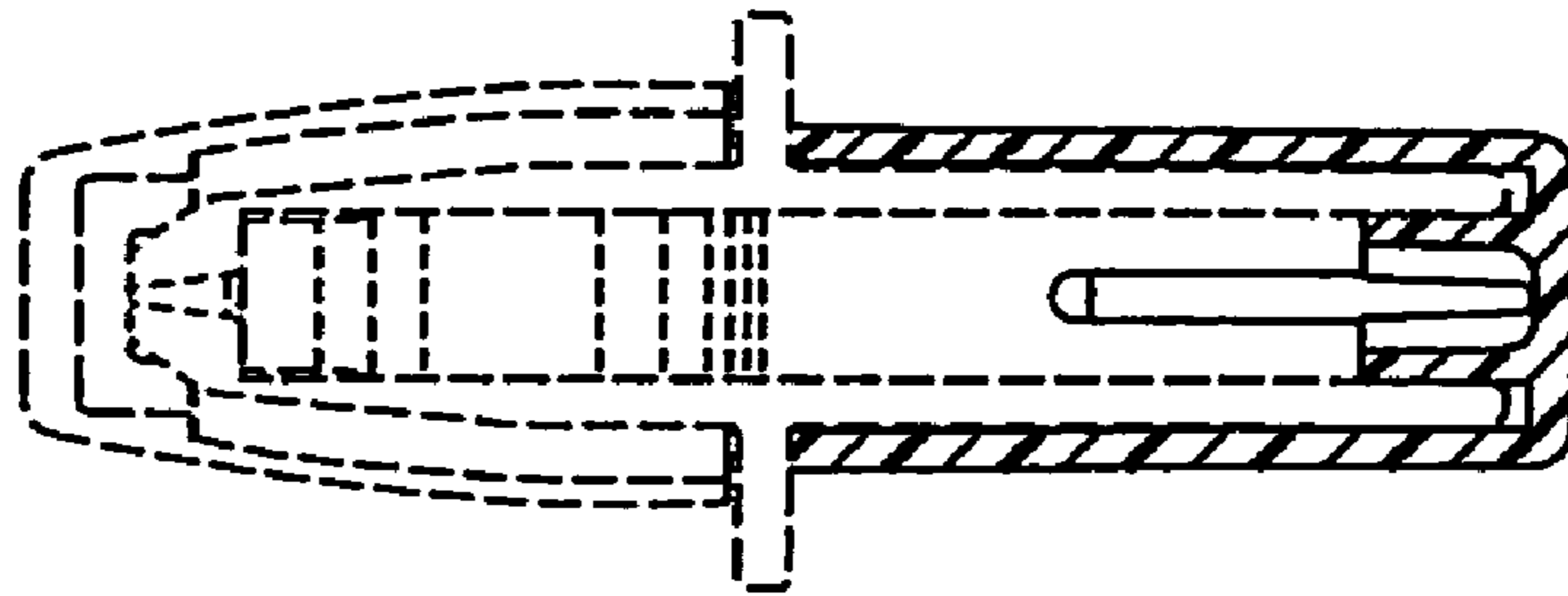


FIG. 9

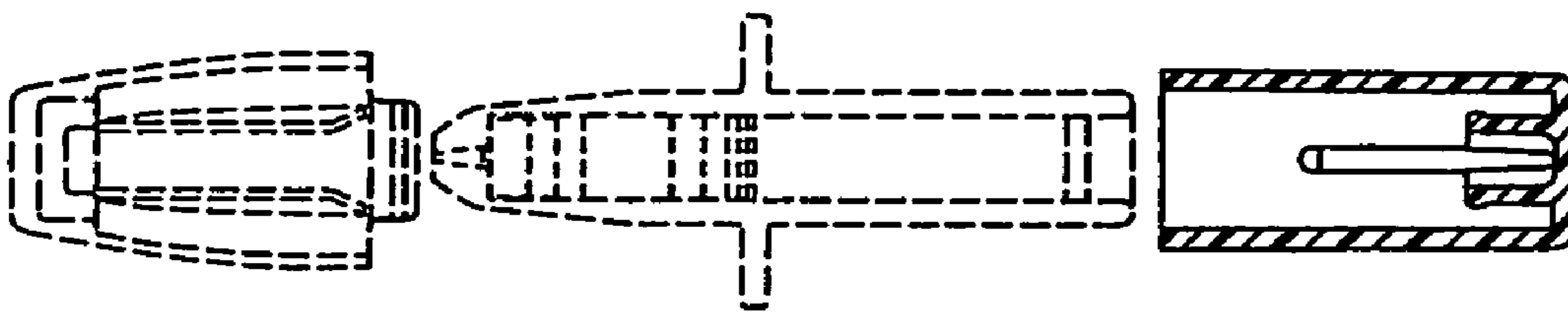


FIG. 10