



US00D596281S

(12) **United States Design Patent**
Schwartz et al.

(10) **Patent No.:** **US D596,281 S**
(45) **Date of Patent:** **** Jul. 14, 2009**

(54) **AIR FRESHENER**

(75) Inventors: **Keara Elyse Schwartz**, Cincinnati, OH (US); **Michael Thomas Roller**, Covington, KY (US)

(73) Assignee: **The Procter & Gamble Company**, Cincinnati, OH (US)

(**) Term: **14 Years**

(21) Appl. No.: **29/328,119**

(22) Filed: **Nov. 19, 2008**

(51) **LOC (9) Cl.** **28-99**

(52) **U.S. Cl.** **D23/366**

(58) **Field of Classification Search** D23/355-369; 261/DIG. 17, DIG. 42, DIG. 65, DIG. 88, 261/DIG. 89; 239/34-37, 44, 45, 53, 54, 239/57, 60, 136, 152, 302, 326; 392/386, 392/390, 392, 394, 395; D28/5, 6

See application file for complete search history.

(56) **References Cited**

U.S. PATENT DOCUMENTS

D250,041 S *	10/1978	Schimanski	D23/369
D395,146 S *	6/1998	Miller et al.	D23/364
D484,228 S *	12/2003	Zhang et al.	D23/364
D496,720 S *	9/2004	Dudley	D23/365
D504,943 S *	5/2005	Dudley	D23/365
D508,285 S *	8/2005	Velicescu	D23/366
D509,578 S *	9/2005	Yao	D23/364
D510,422 S *	10/2005	Schriner et al.	D23/366
D544,087 S *	6/2007	Baraky et al.	D23/366
D570,980 S *	6/2008	Isono et al.	D23/366
D585,536 S *	1/2009	Wang	D23/364
2008/0253755 A1 *	10/2008	Smith et al.	392/386

* cited by examiner

Primary Examiner—Sandra Snapp

(74) Attorney, Agent, or Firm—Amy I. Ahn-Roll

(57) **CLAIM**

The ornamental design for an air freshener, as shown and described.

DESCRIPTION

FIG. 1 is perspective view of a first embodiment of an air freshener in a first position according to the present invention;

FIG. 2 is a front view thereof;

FIG. 3 is rear view thereof;

FIG. 4 is a left side view thereof;

FIG. 5 is a right side view thereof;

FIG. 6 is a top view thereof;

FIG. 7 is a bottom view thereof; and

FIG. 8 is a perspective view of the air freshener of FIG. 1 in a second position.

FIG. 9 is a perspective view of a second embodiment of an air freshener according to the present invention;

FIG. 10 is a front view thereof;

FIG. 11 is a rear view thereof;

FIG. 12 is a left side view thereof;

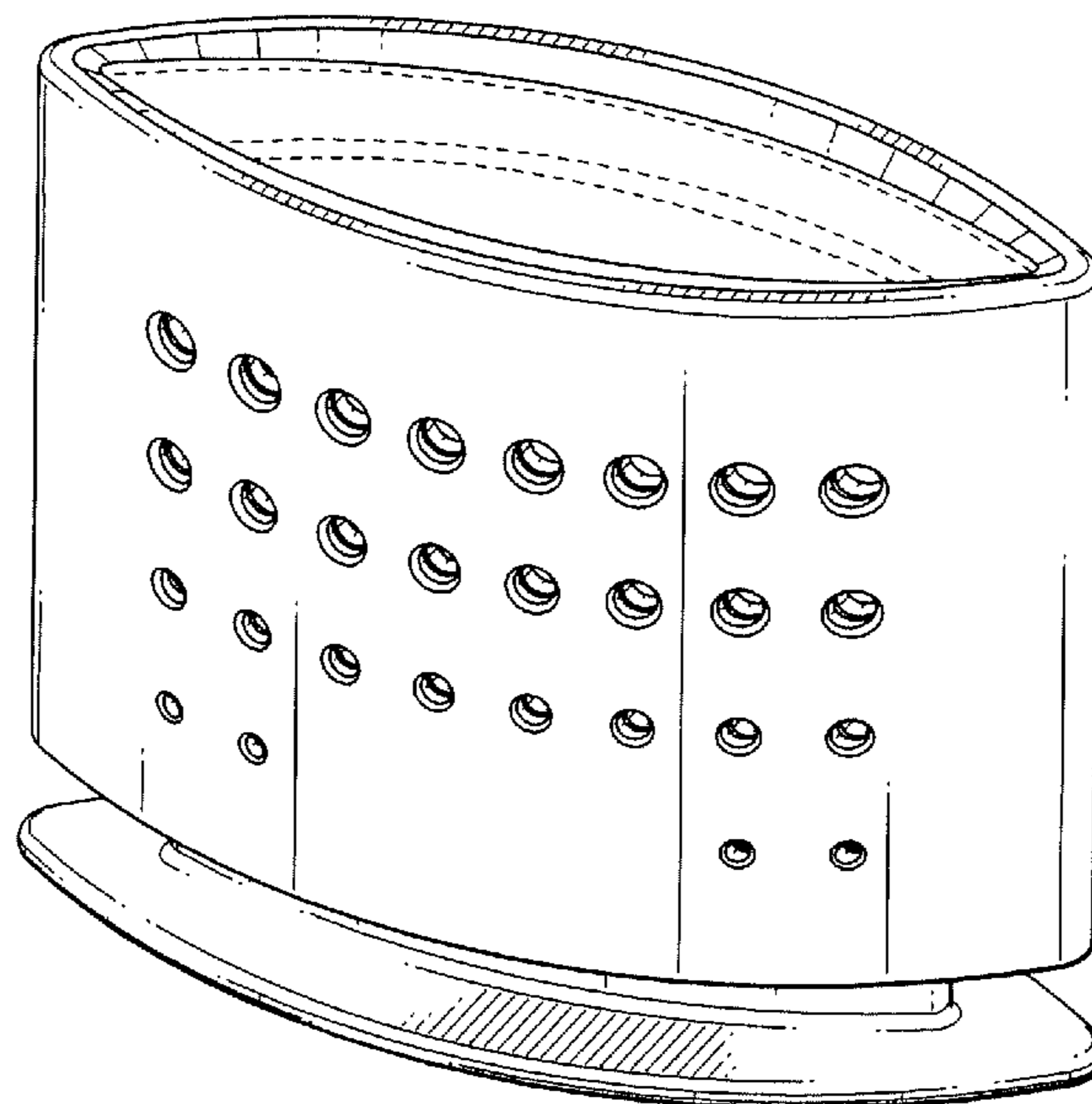
FIG. 13 is a right side view thereof;

FIG. 14 is a top view thereof; and,

FIG. 15 is a bottom view thereof.

The broken lines shown in the drawings are for illustrative purposes only and form no part of the claimed design.

1 Claim, 6 Drawing Sheets



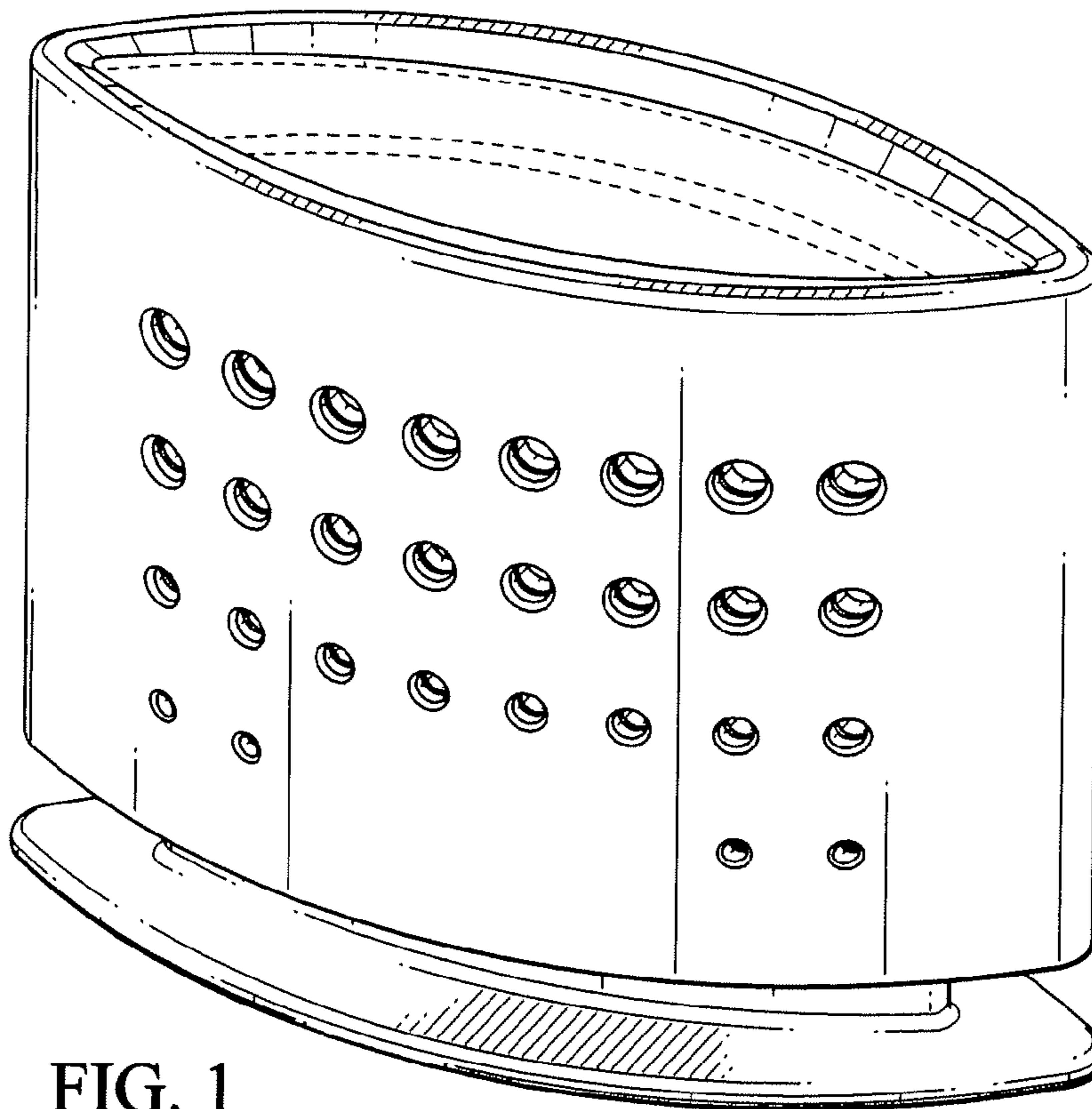


FIG. 1

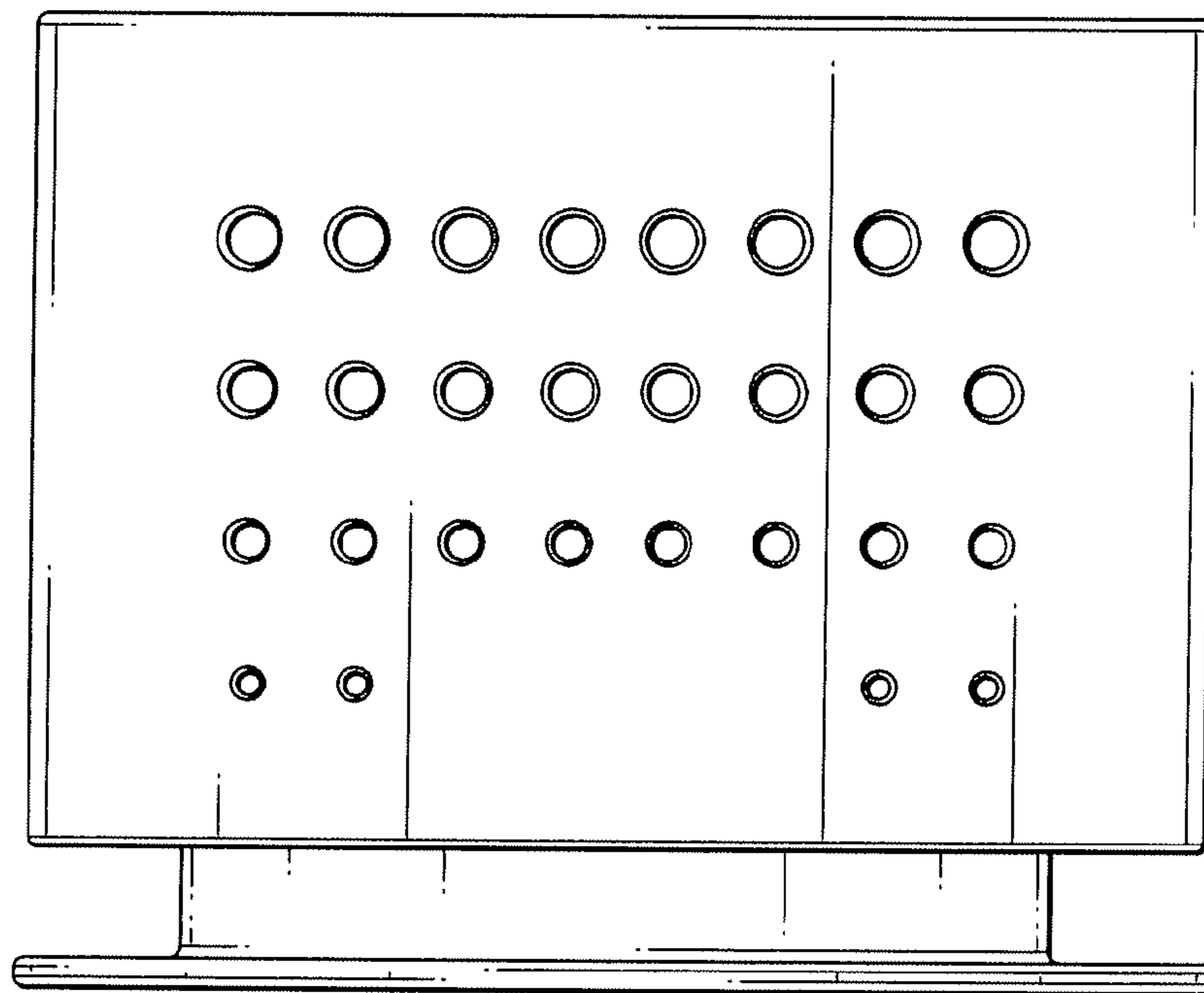


FIG. 2

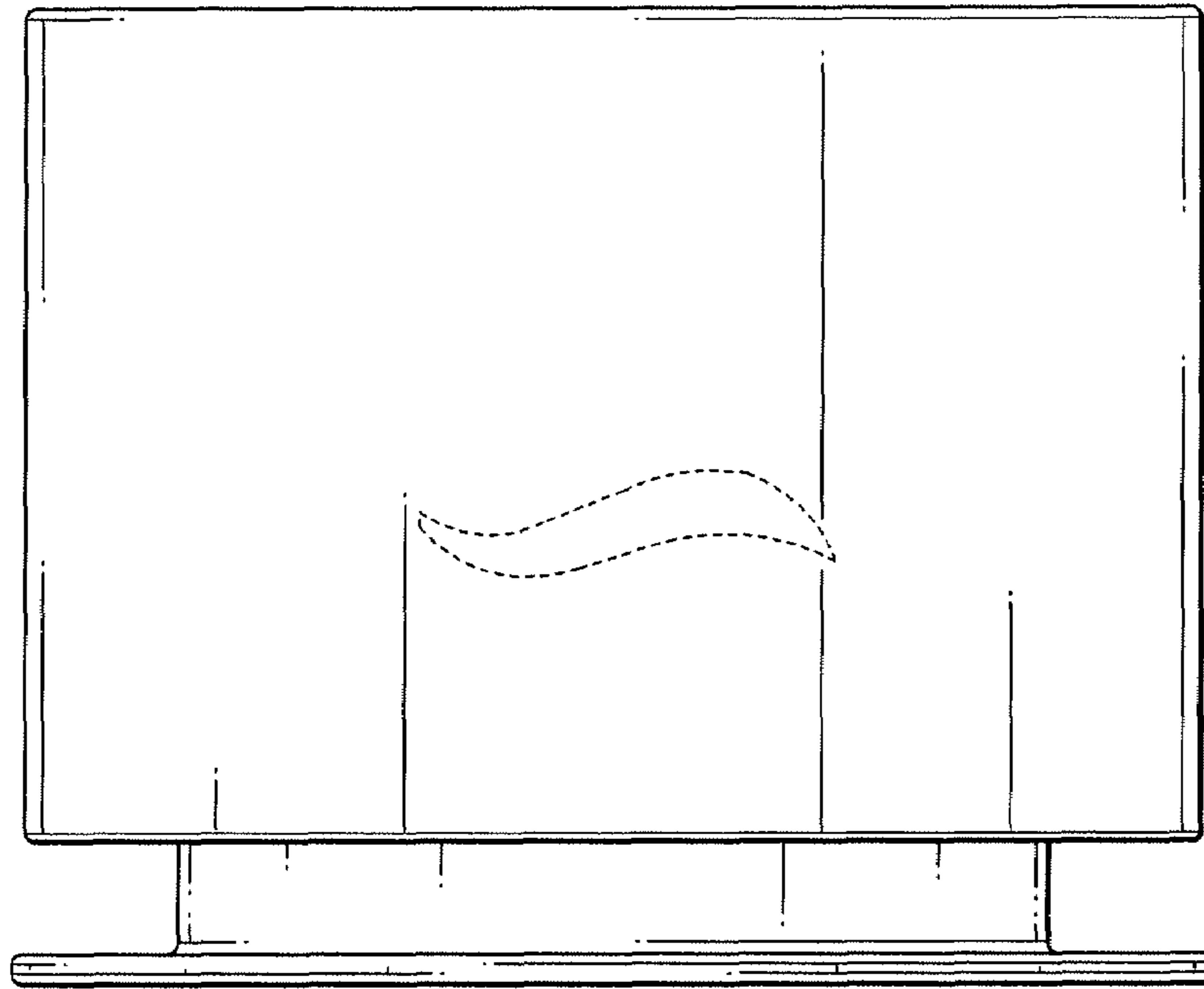


FIG. 3

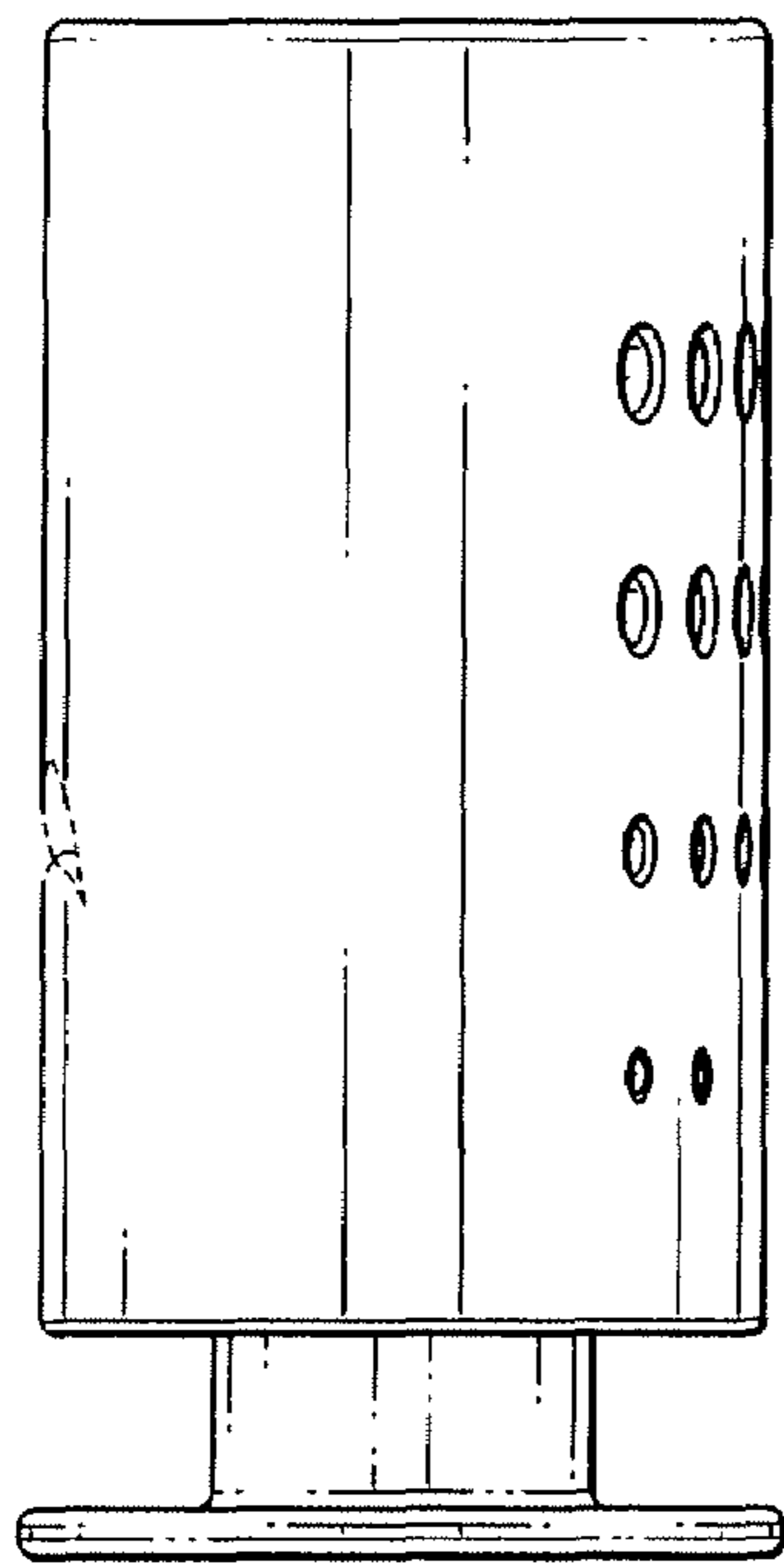


FIG. 4

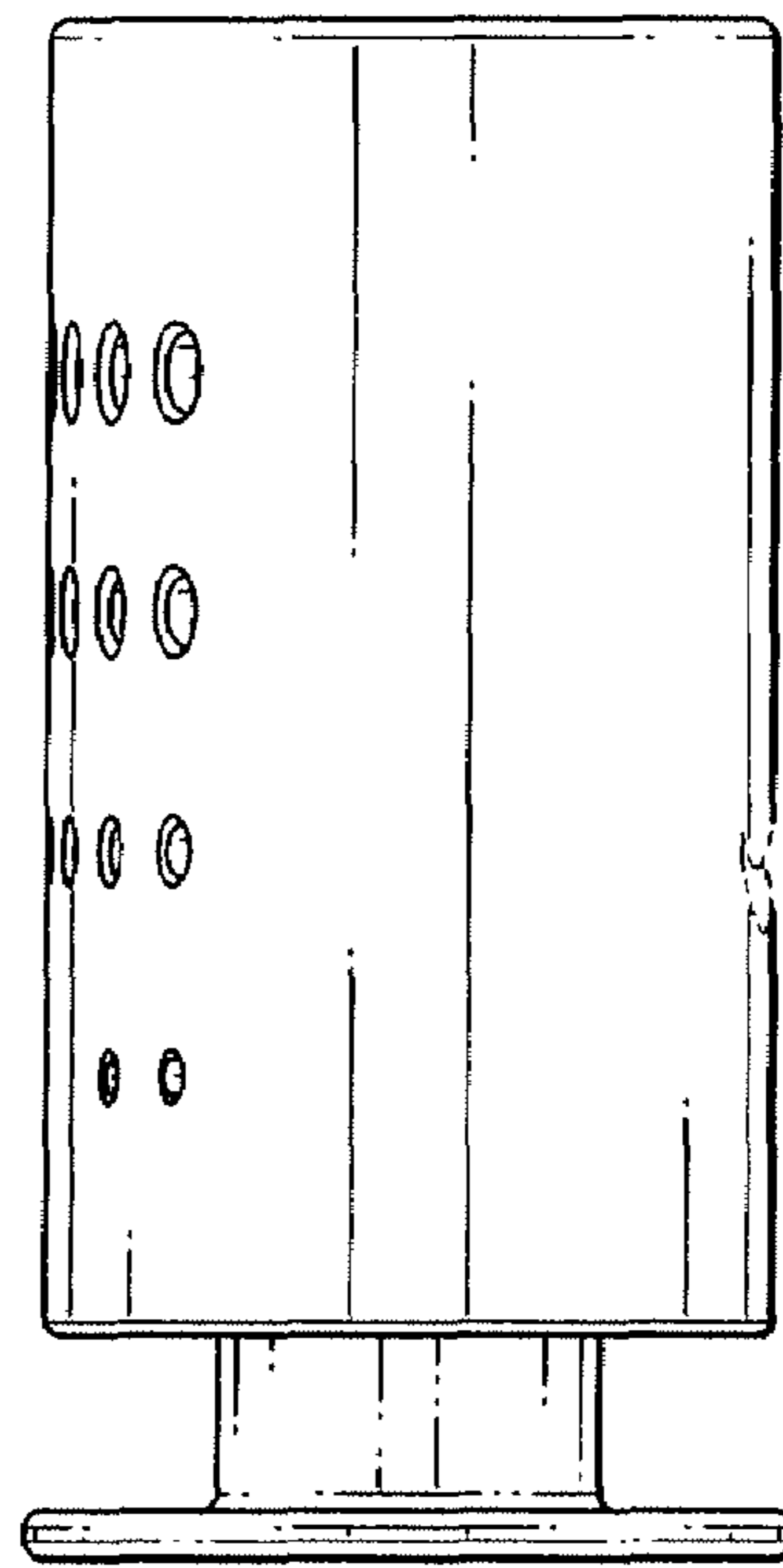


FIG. 5

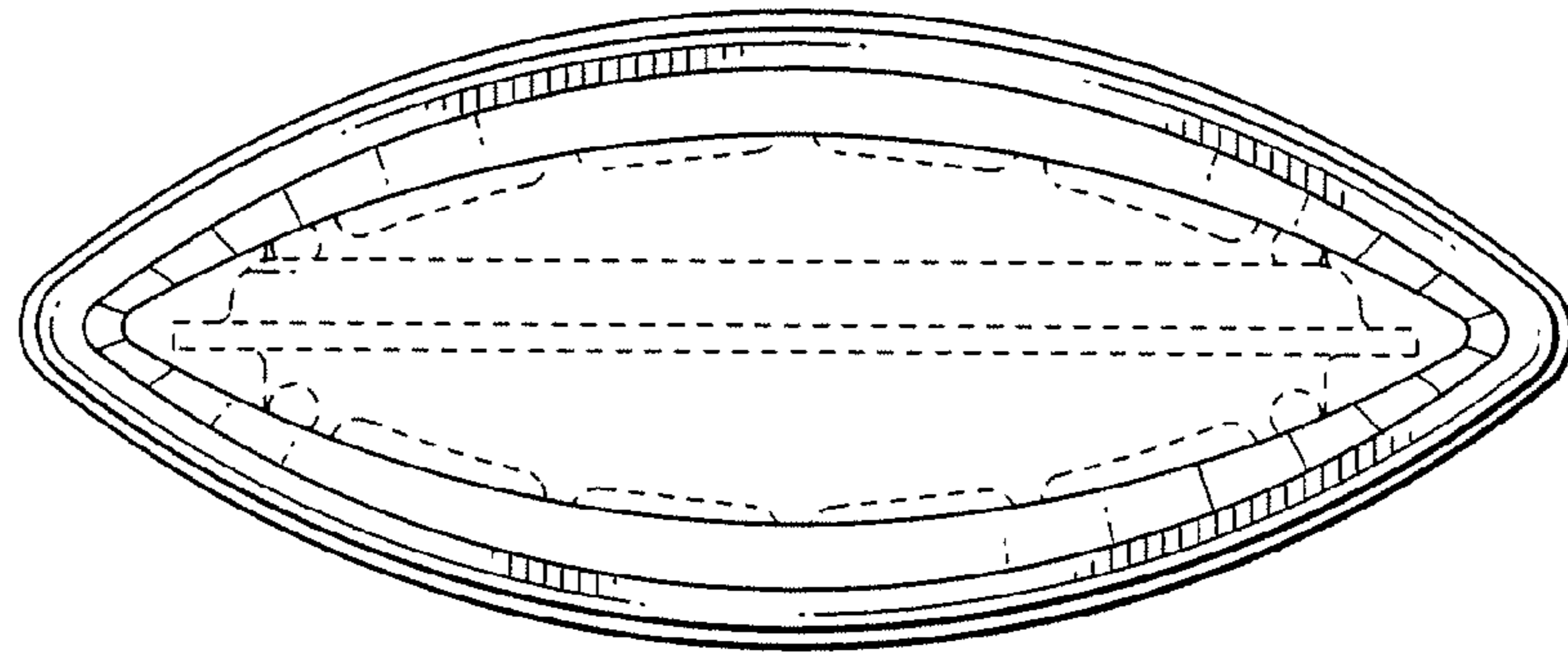


FIG. 6

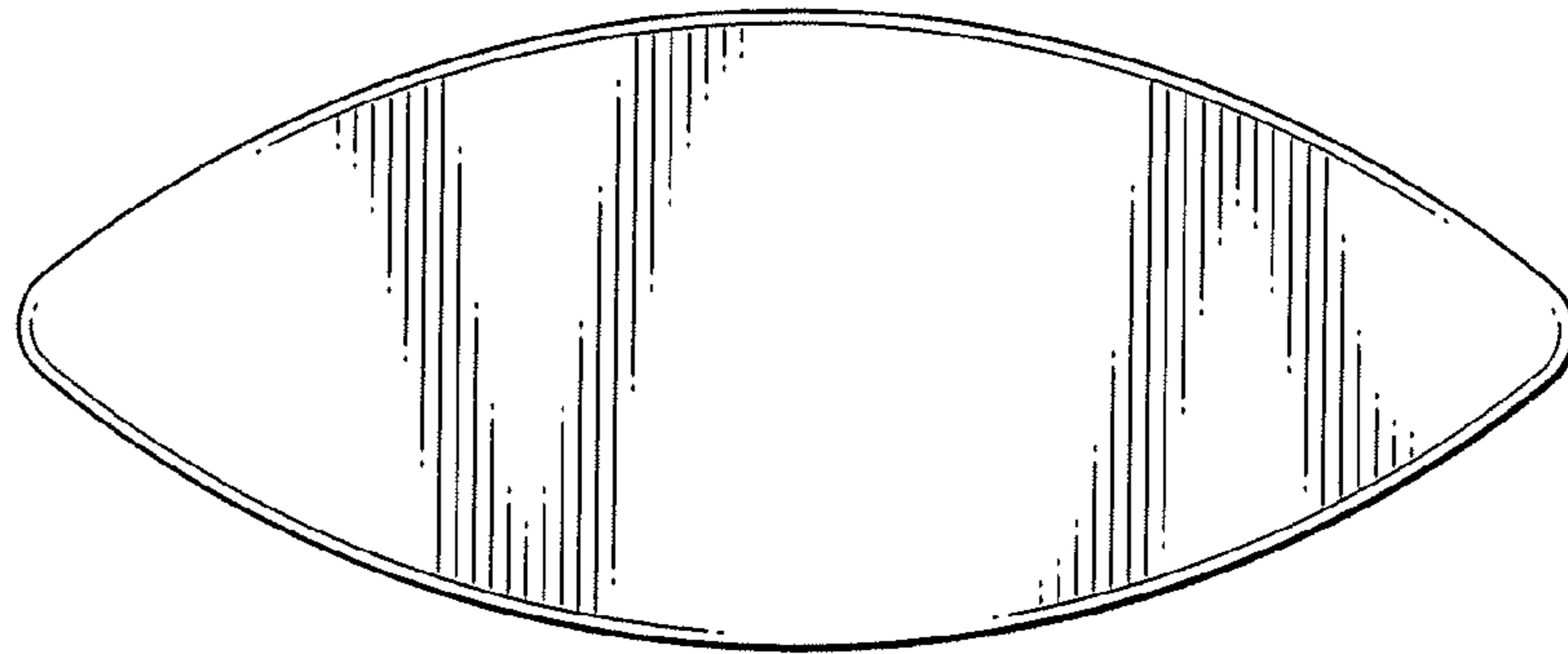


FIG. 7

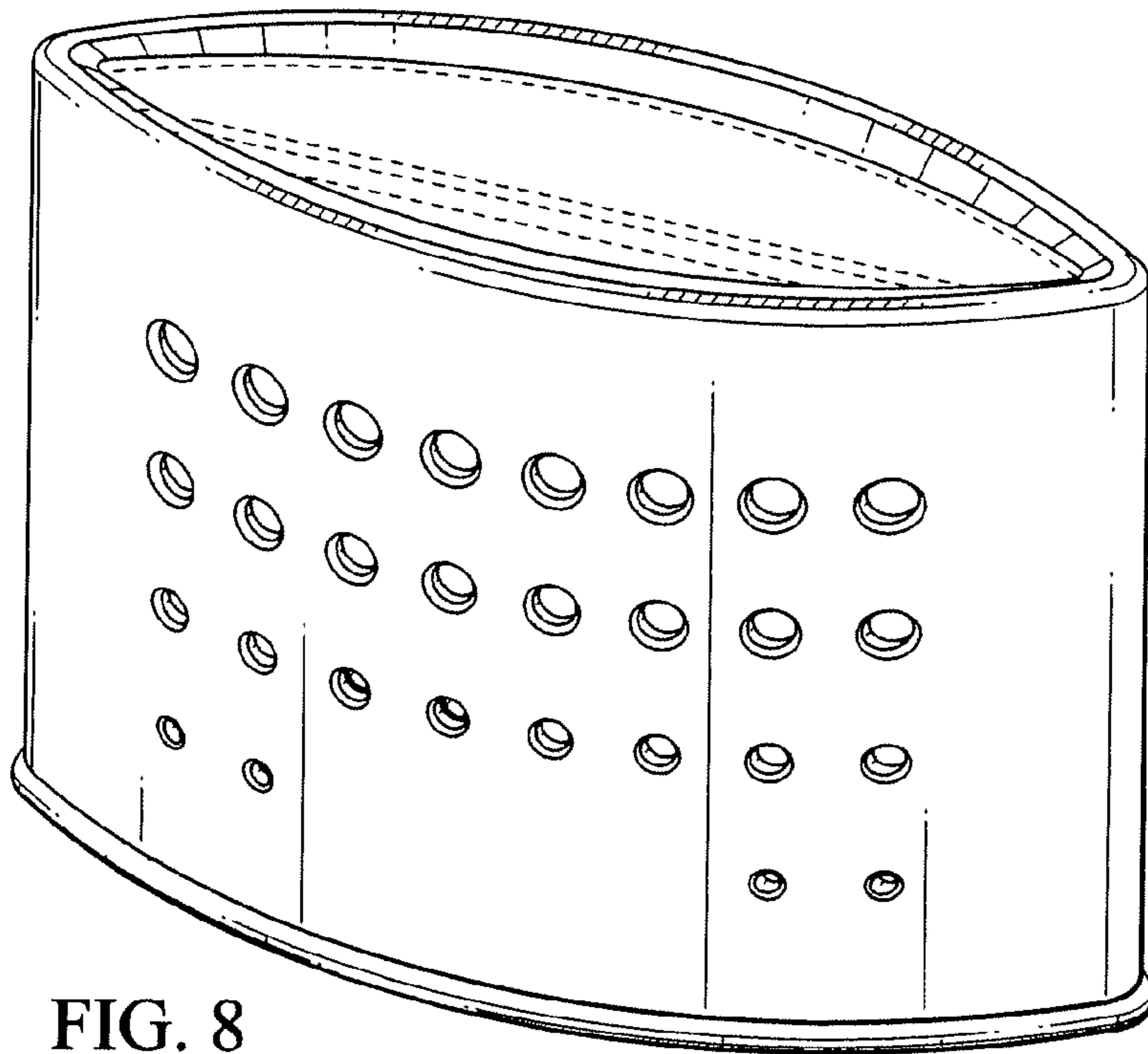


FIG. 8

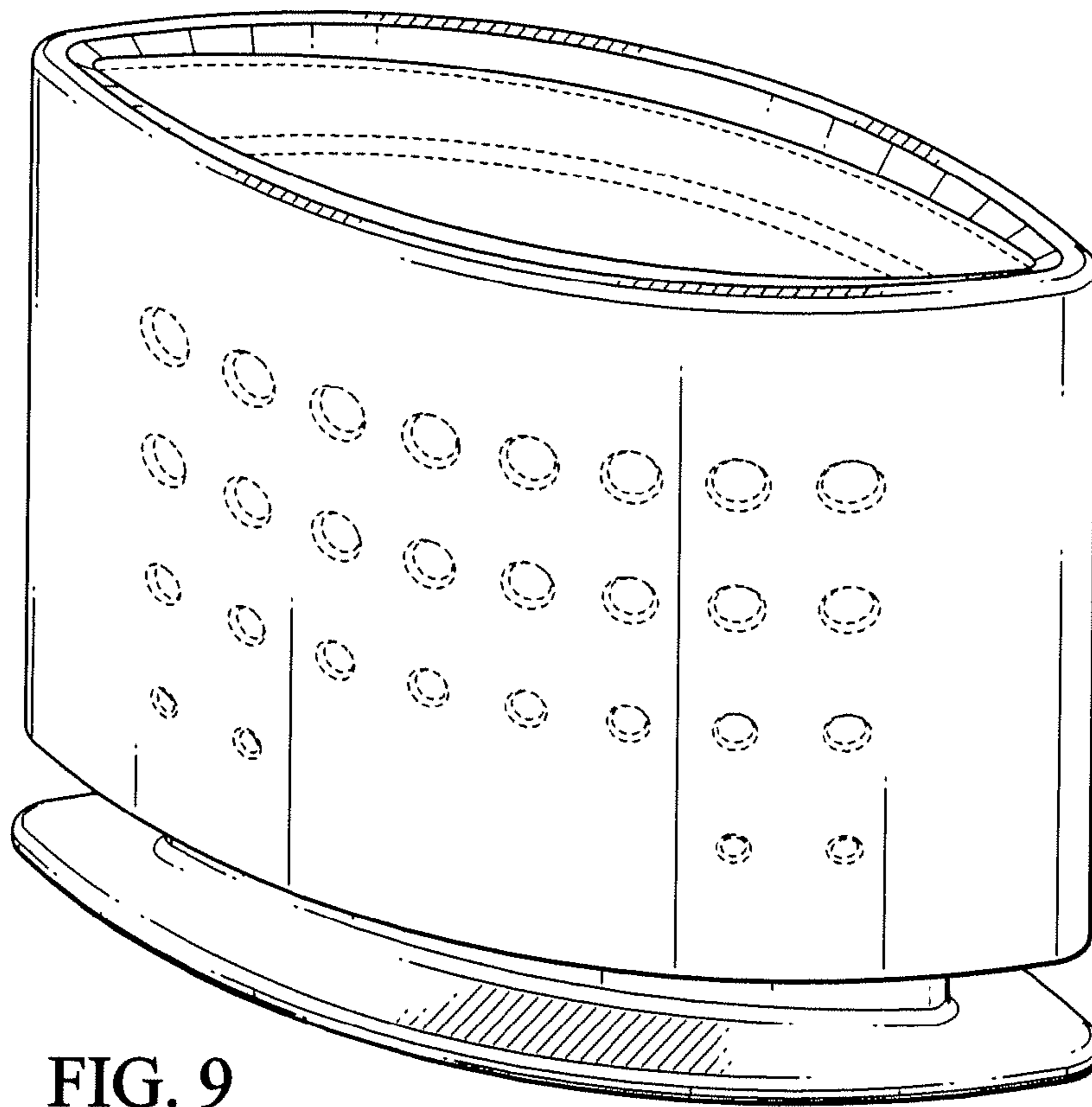


FIG. 9

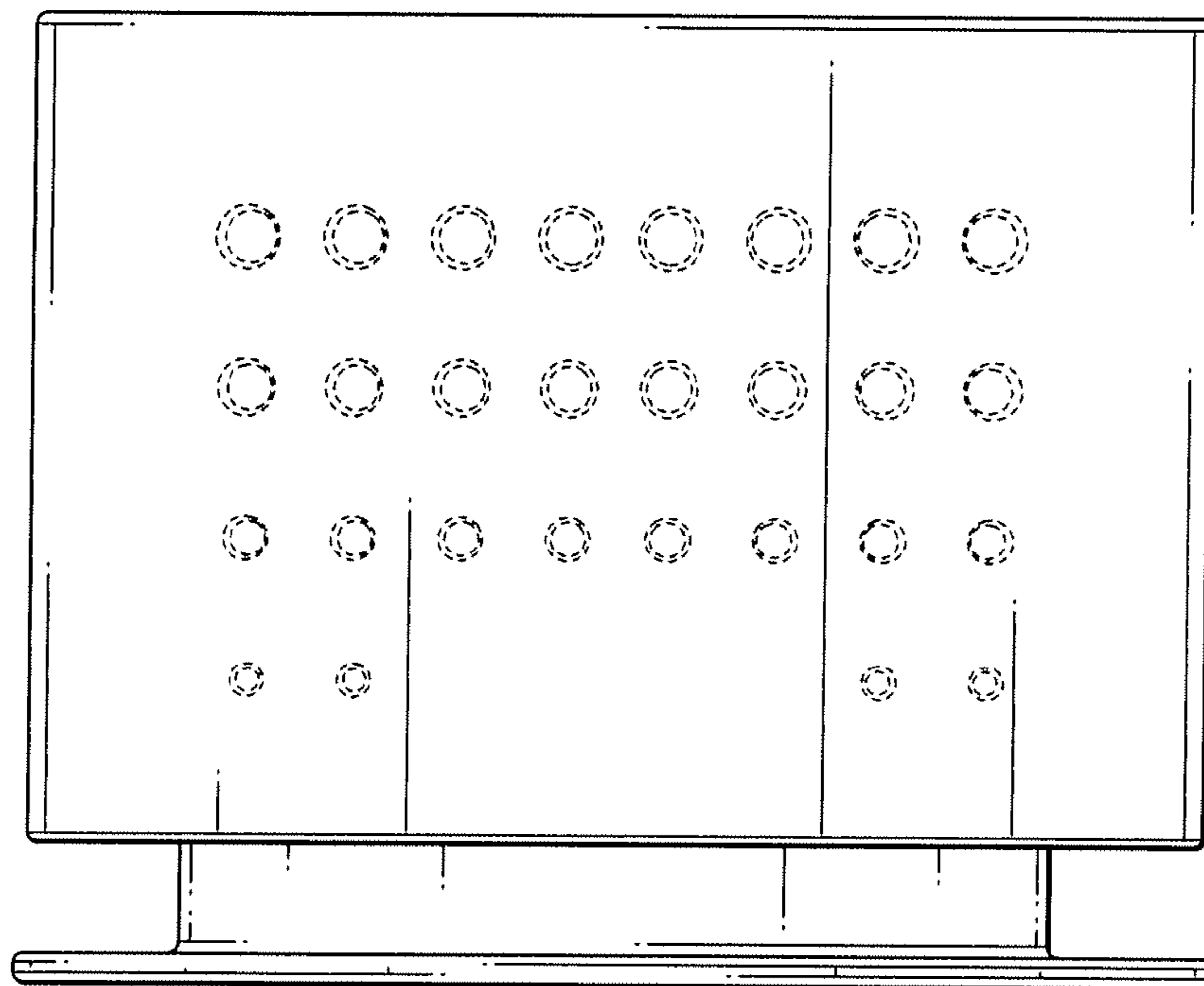


FIG. 10

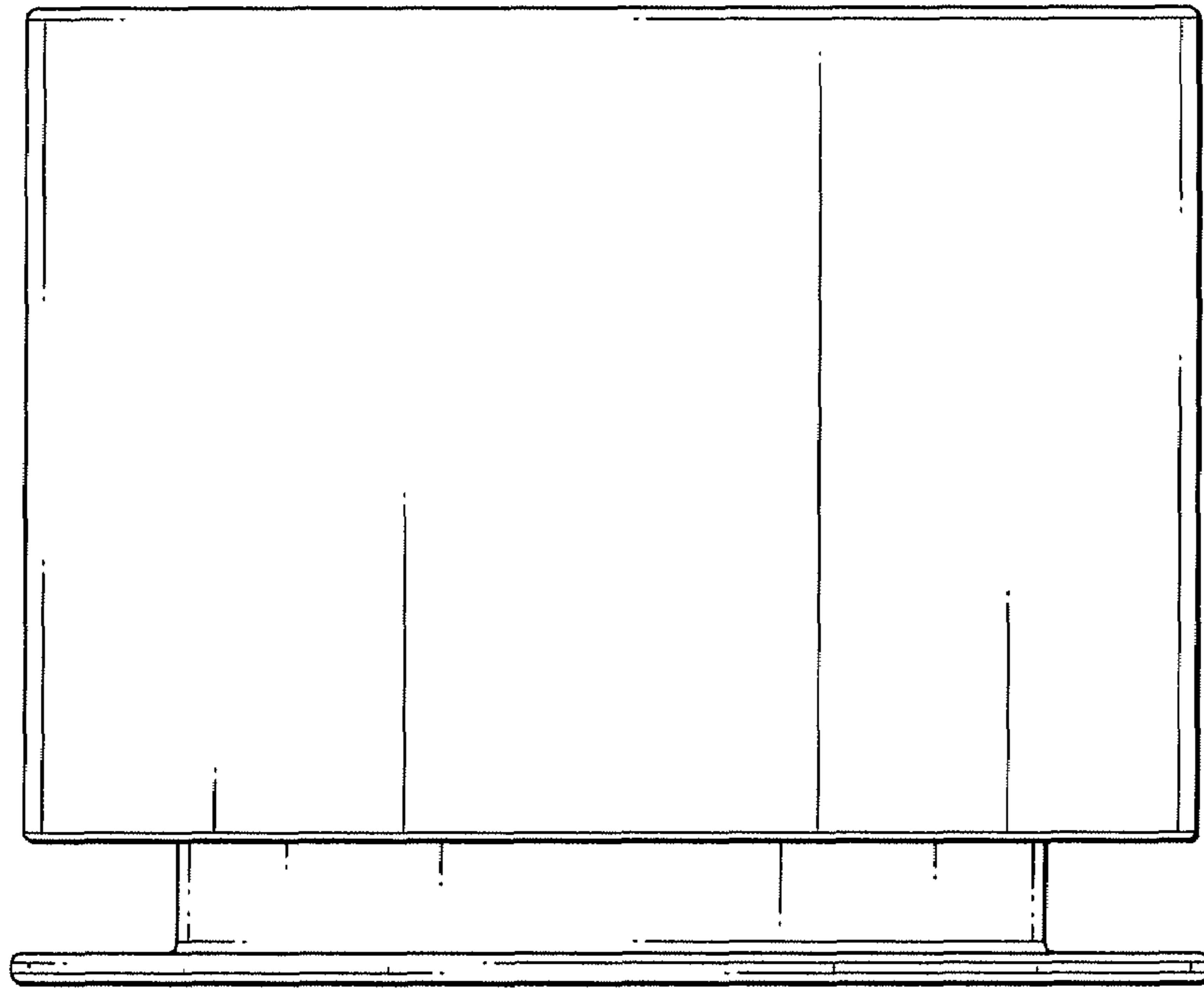


FIG. 11

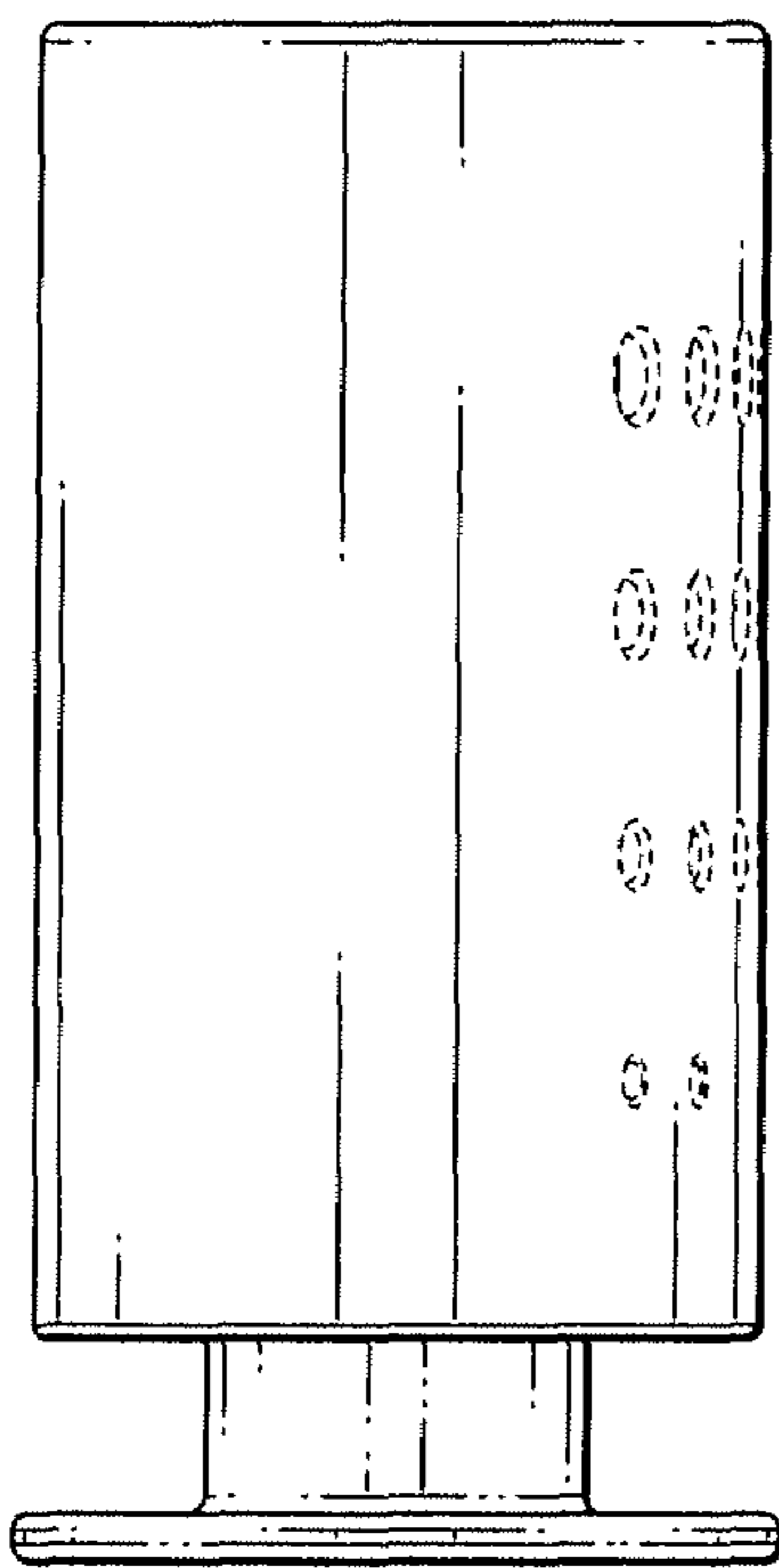


FIG. 12

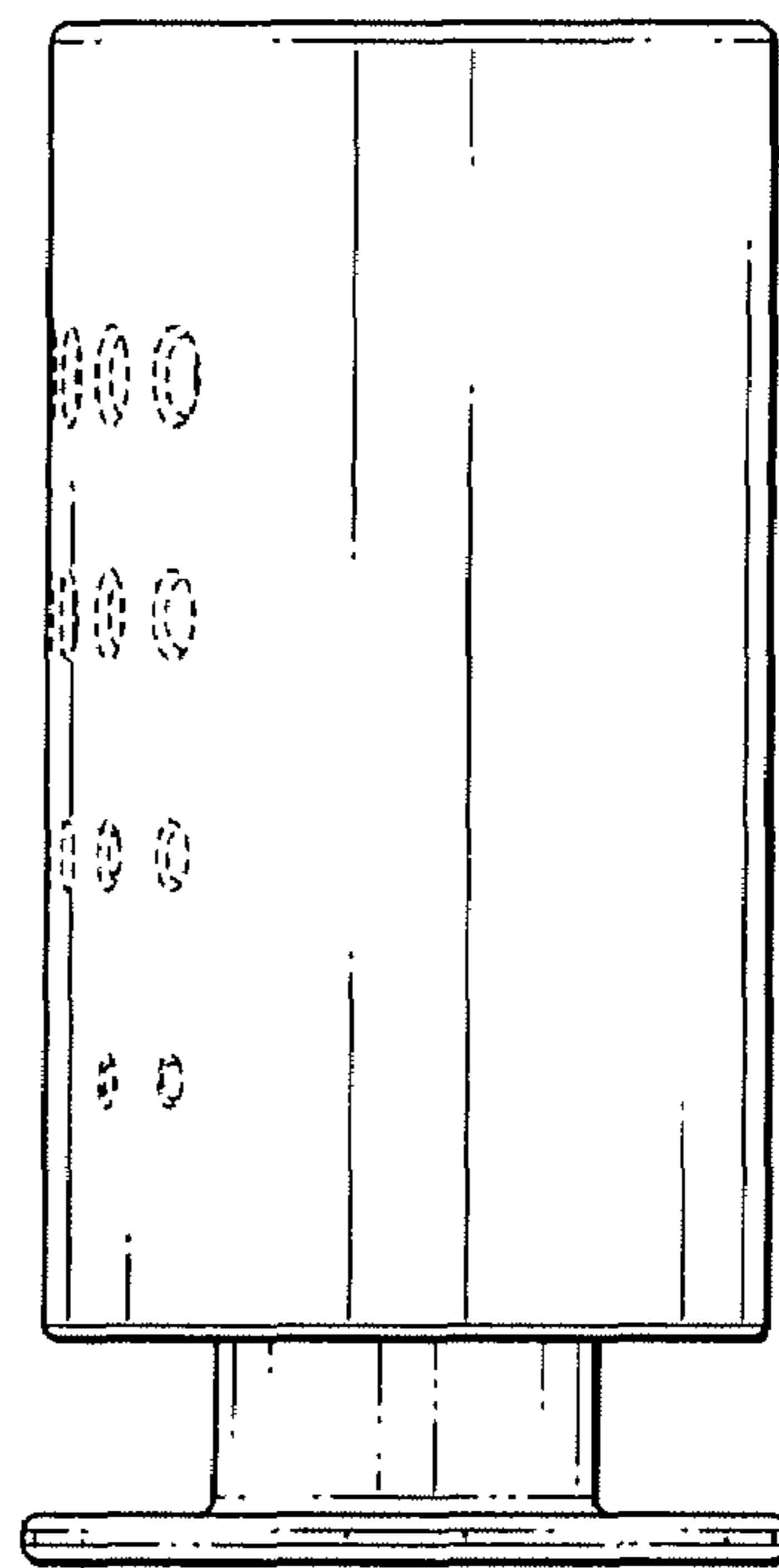


FIG. 13

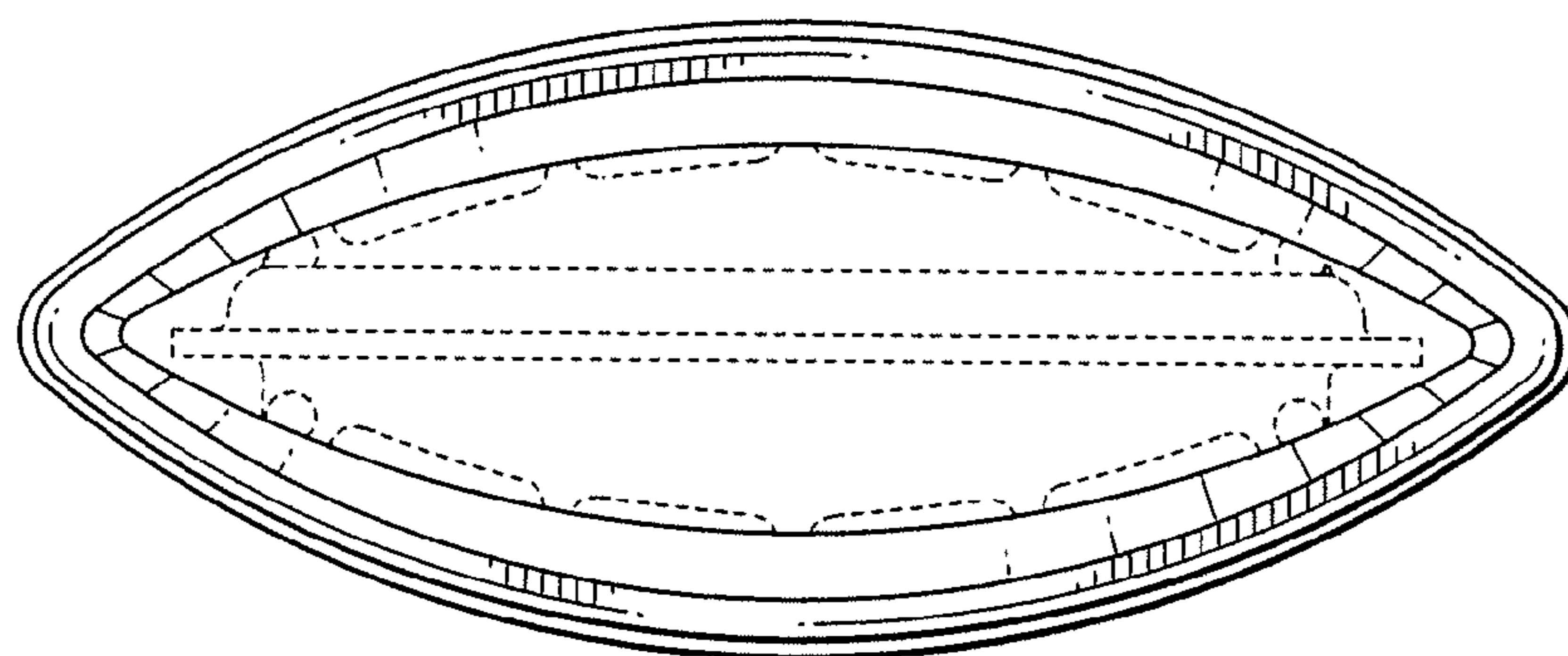


FIG. 14

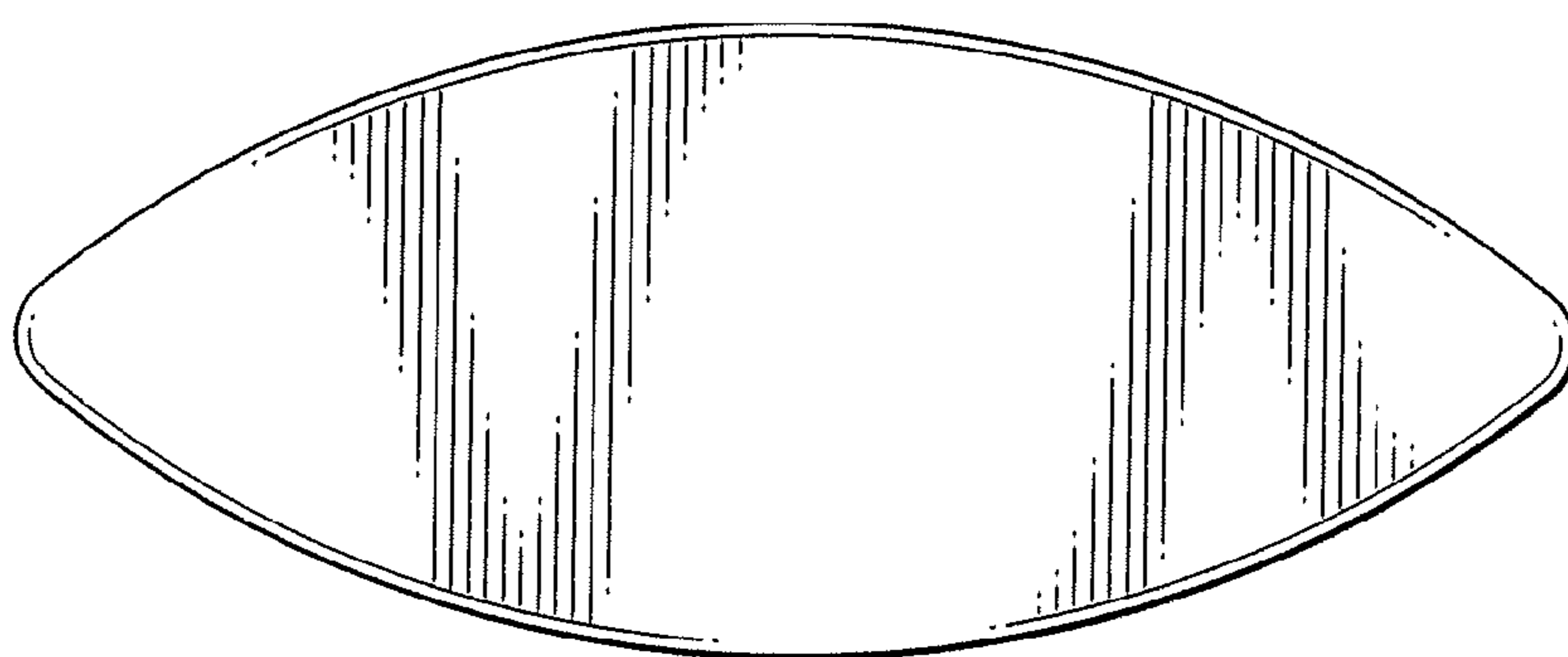


FIG. 15