



US00D596278S

(12) **United States Design Patent**
Stimpson et al.

(10) **Patent No.:** **US D596,278 S**

(45) **Date of Patent:** **** Jul. 14, 2009**

(54) **DROP DOWN HAND RAIL**

(75) Inventors: **Robert William Stimpson**, Douglas (IM); **Ian Felmeri**, Braddan (IM)

(73) Assignee: **DLP Limited** (IM)

(**) Term: **14 Years**

(21) Appl. No.: **29/326,045**

(22) Filed: **Oct. 10, 2008**

Related U.S. Application Data

(62) Division of application No. 29/283,993, filed on Aug. 29, 2007, now Pat. No. Des. 582,021.

(30) **Foreign Application Priority Data**

Mar. 21, 2007 (EM) 000694781

(51) **LOC (9) Cl.** **23-02**

(52) **U.S. Cl.** **D23/304**

(58) **Field of Classification Search** D23/275,
D23/283, 303-304; 4/570, 615, 661, 900;
D8/363, 377; 248/229.1, 218.4
See application file for complete search history.

(56) **References Cited**

U.S. PATENT DOCUMENTS

2,940,085	A	6/1960	Hussey
D208,396	S	8/1967	Holloway
D209,040	S	10/1967	Aleks et al.
5,329,651	A	7/1994	Mardero et al.
5,467,486	A	11/1995	Guenther
6,332,230	B1	12/2001	Chang
7,171,705	B1	2/2007	Hicks

Primary Examiner—Robert A Delehanty

(74) *Attorney, Agent, or Firm*—Fleit Gibbons Gutman Bongini & Bianco PL; Paul D. Bianco; Martin Fleit

(57) **CLAIM**

The ornamental design for a drop down hand rail, as shown and described.

DESCRIPTION

FIG. 1 is a perspective view of a first embodiment of a drop down hand rail, showing our new design;

FIG. 2 is an exploded view of the drop down hand rail, shown in FIG. 1;

FIG. 3 is a front view of the drop down hand rail, shown in FIG. 1;

FIG. 4 is a plan view from below of the drop down hand rail, shown in FIG. 1;

FIG. 5 is a rear view of the drop down hand rail, shown in FIG. 1;

FIG. 6 is an elevational view from one side of the drop down hand rail, as shown in FIG. 1, the other side matches;

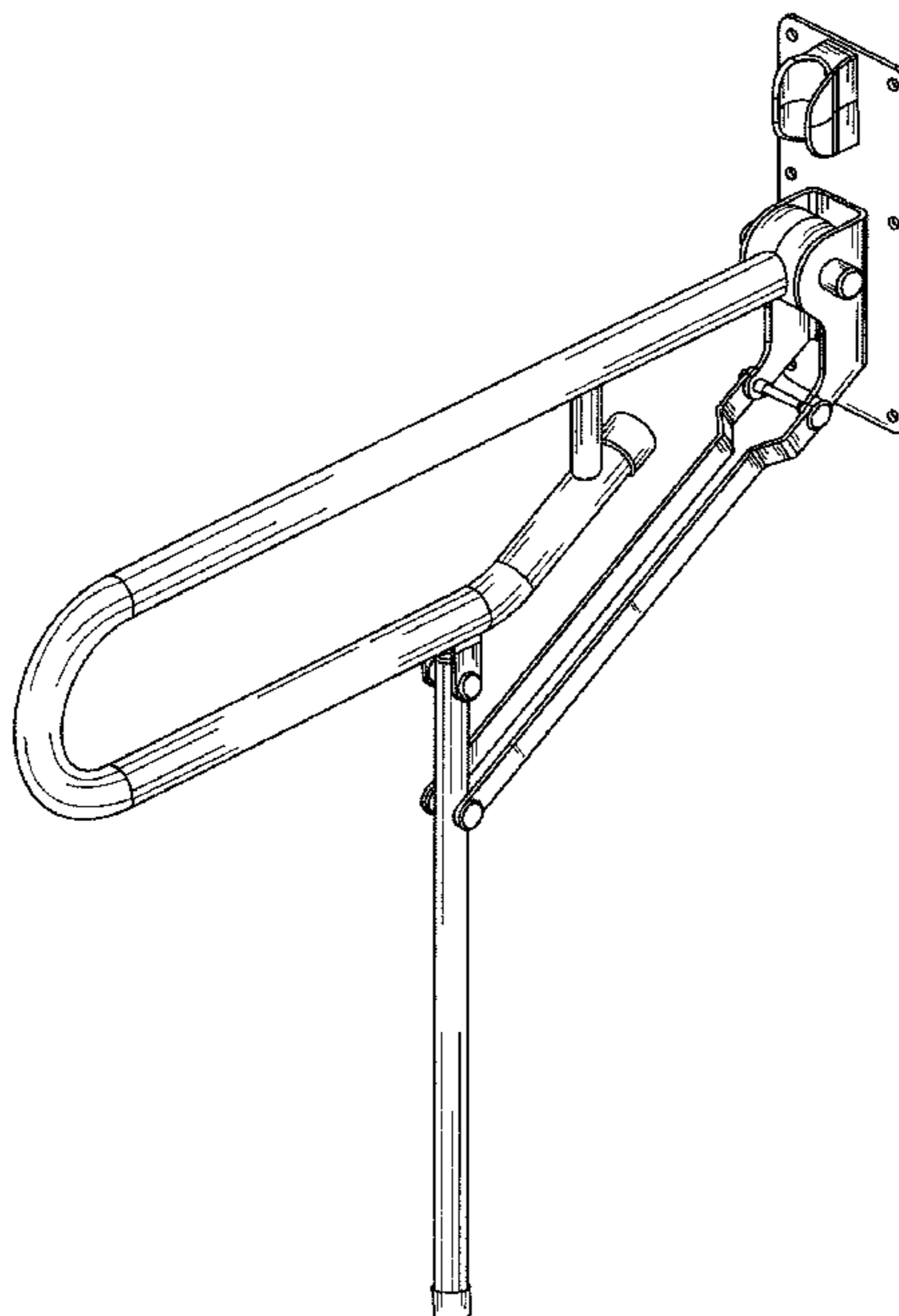
FIG. 7 is a plan view from above of the drop down hand rail, as shown in FIG. 1;

FIG. 8 is an enlarged perspective view of a two-part clamping knuckle used in the drop down hand rail;

FIG. 9 is a perspective view of one side of one part of the clamping knuckle, shown in FIG. 8, the other part matches; and,

FIG. 10 is a perspective view of the other side of one part of the clamping knuckle, shown in FIG. 8, the other part matches.

1 Claim, 9 Drawing Sheets



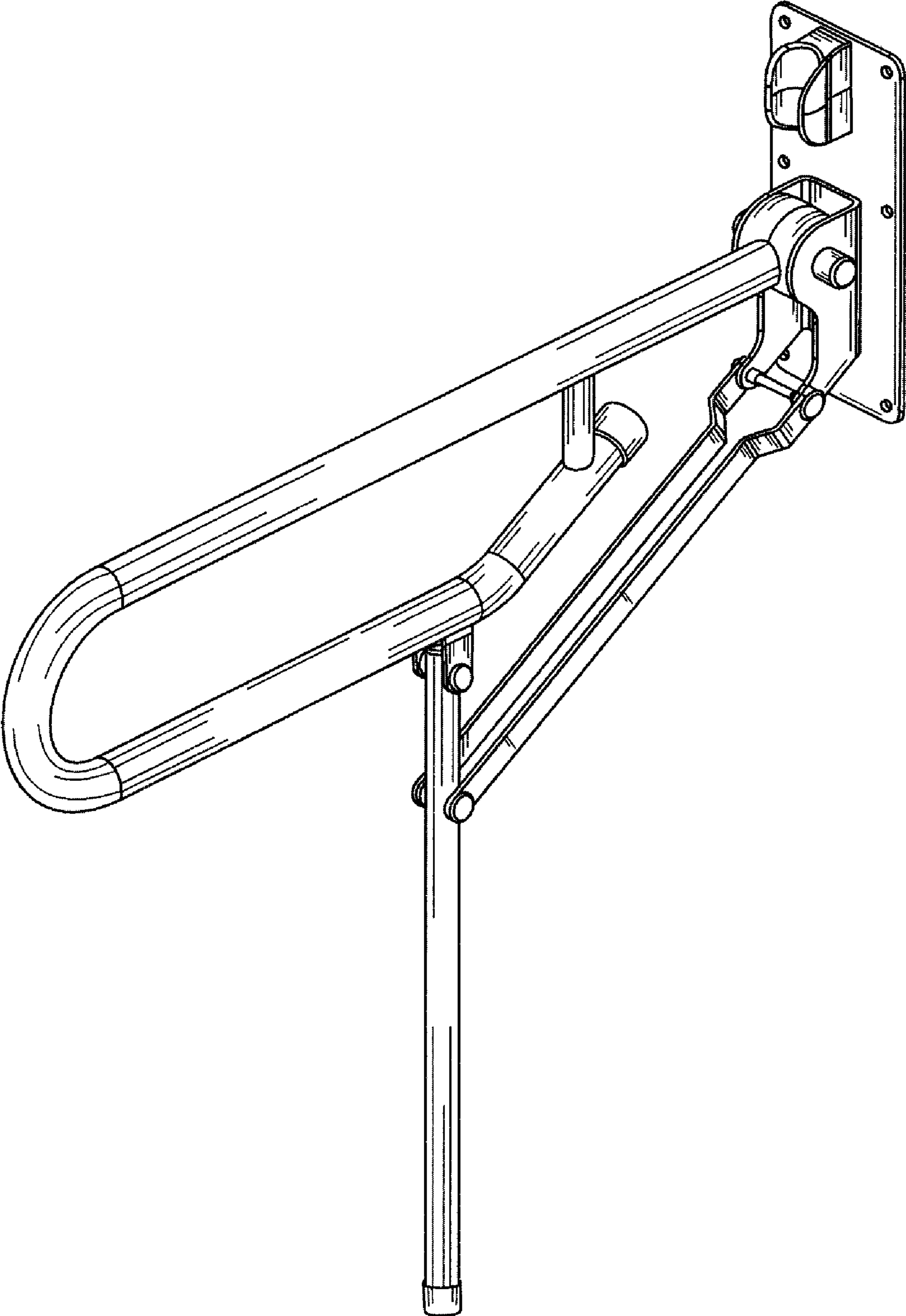


FIG 1

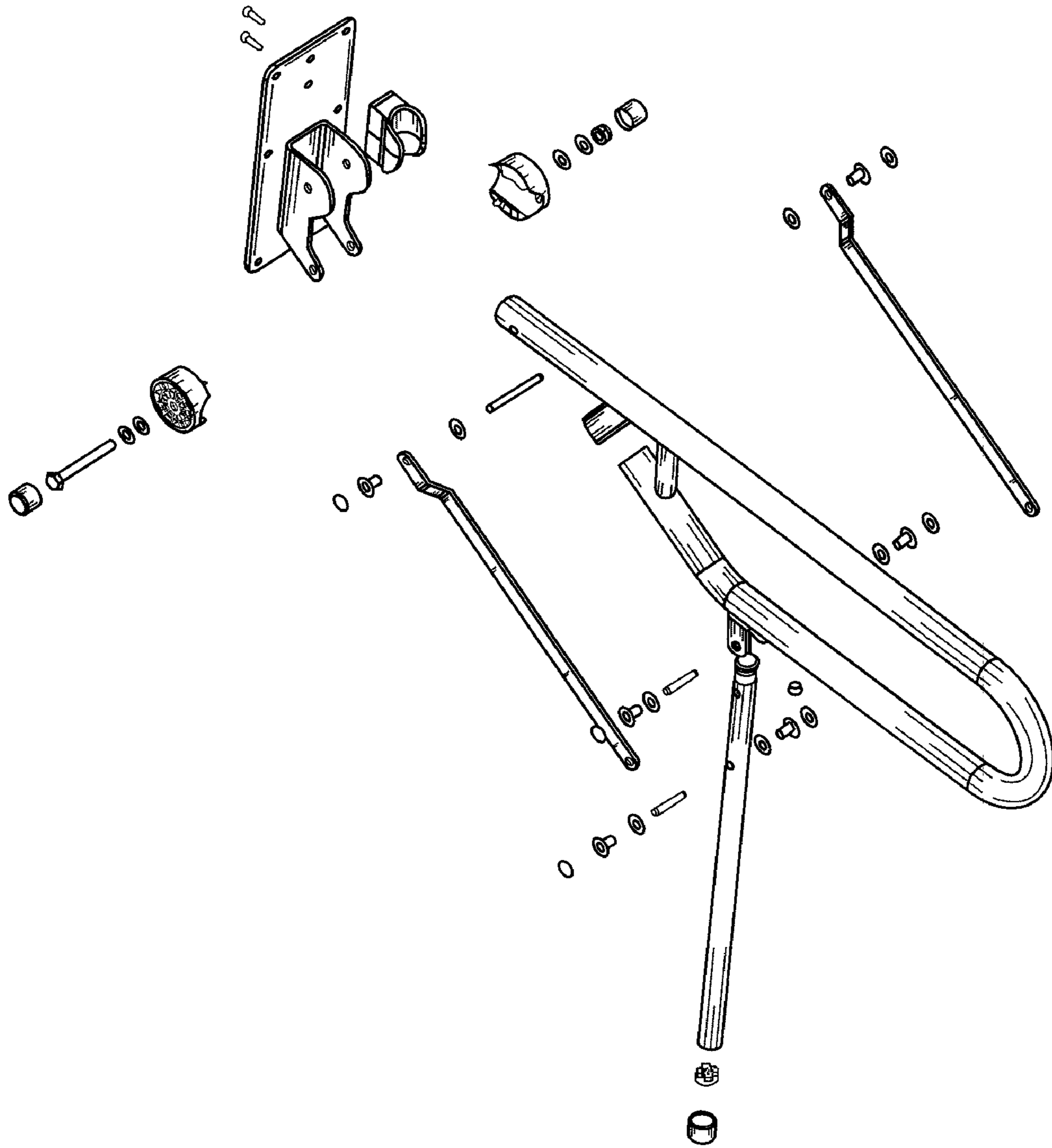


FIG 2

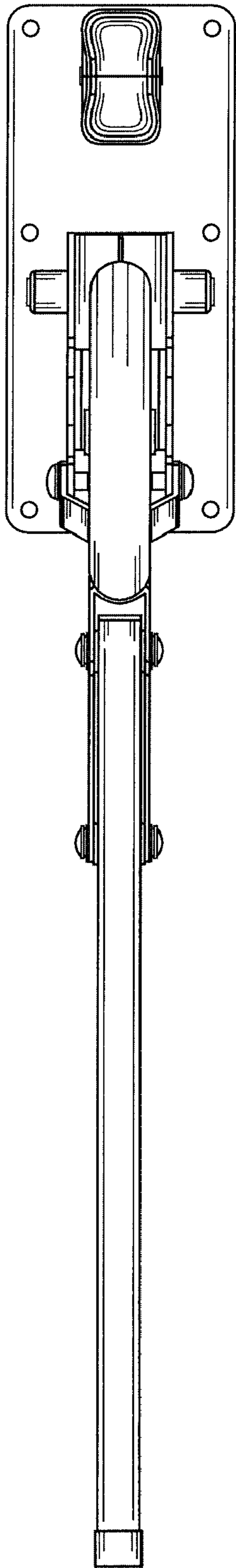


FIG 3

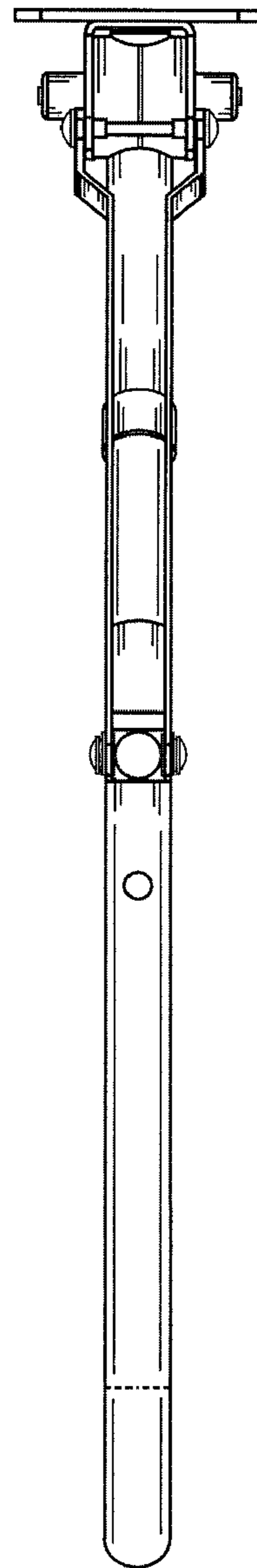


FIG 4

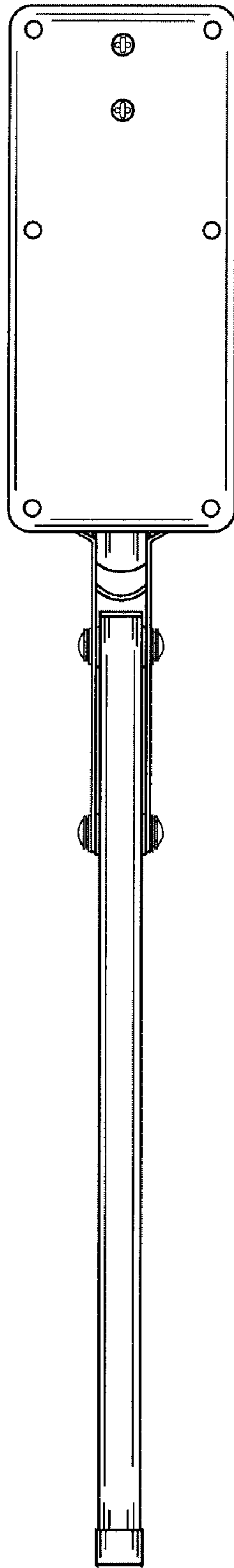


FIG 5

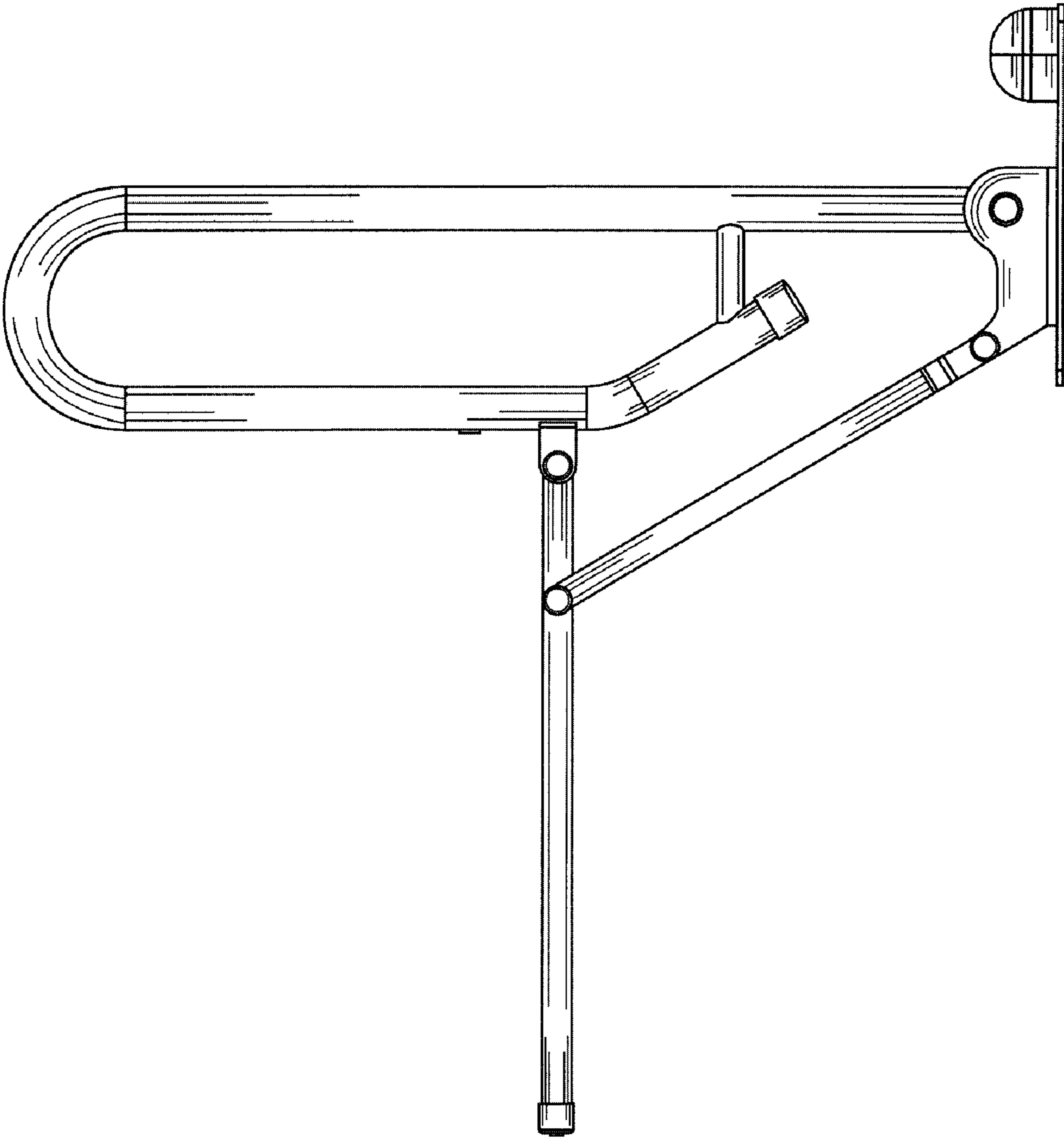


FIG 6

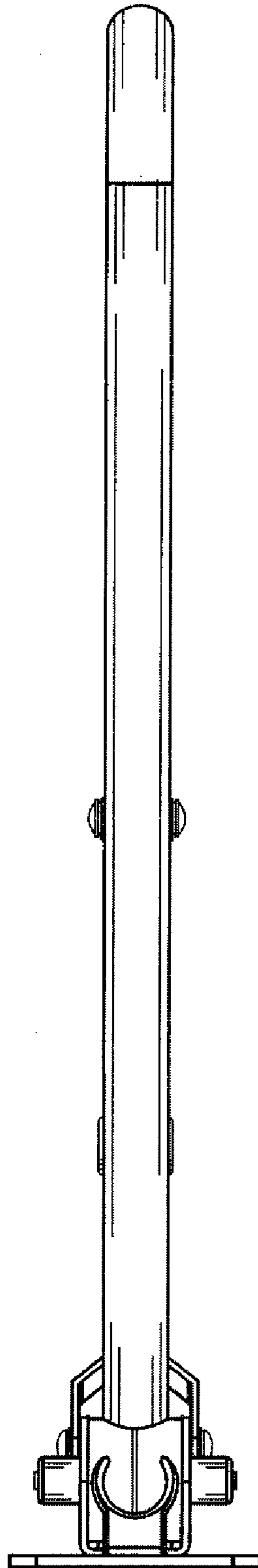


FIG 7

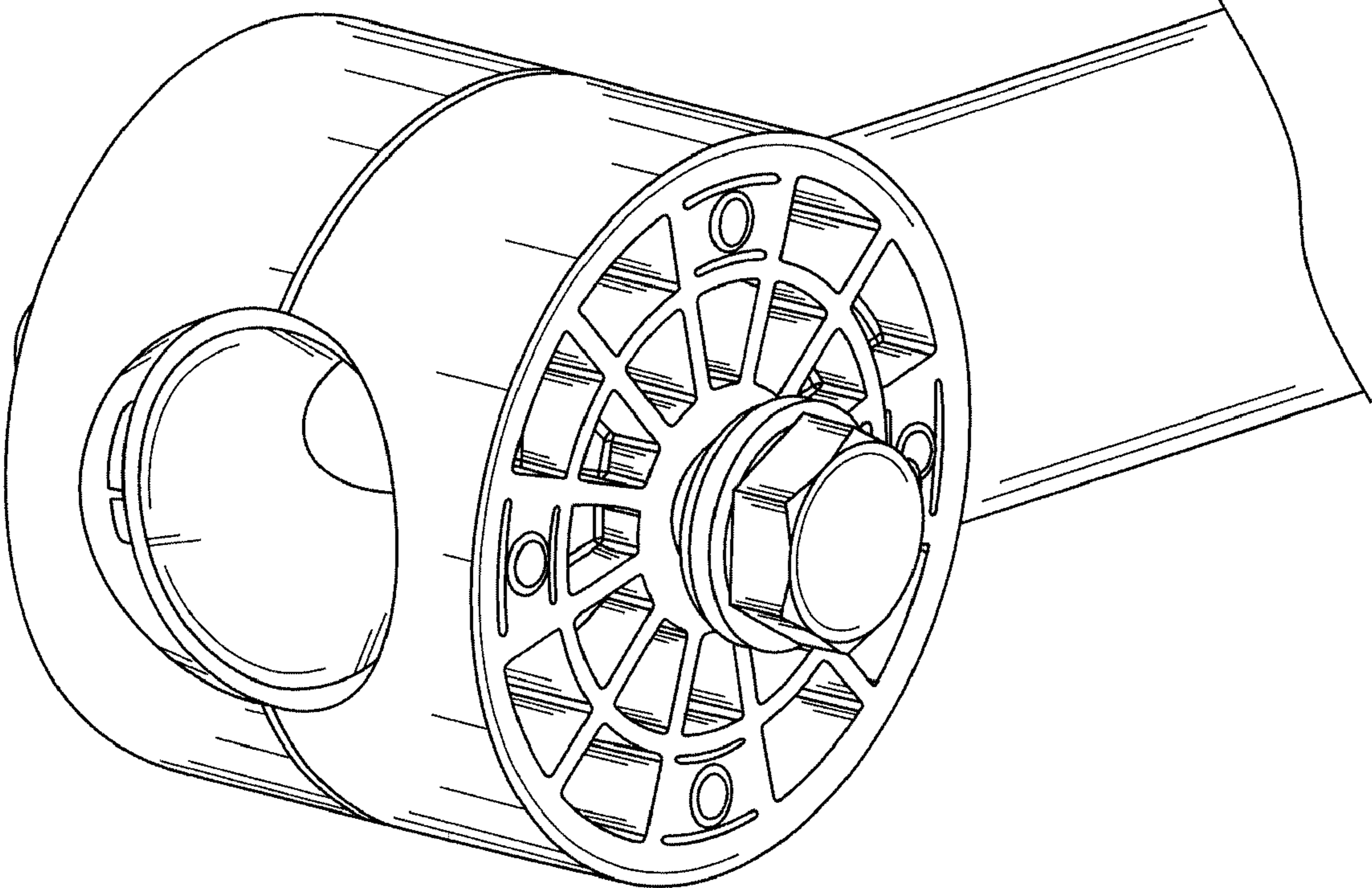


FIG 8

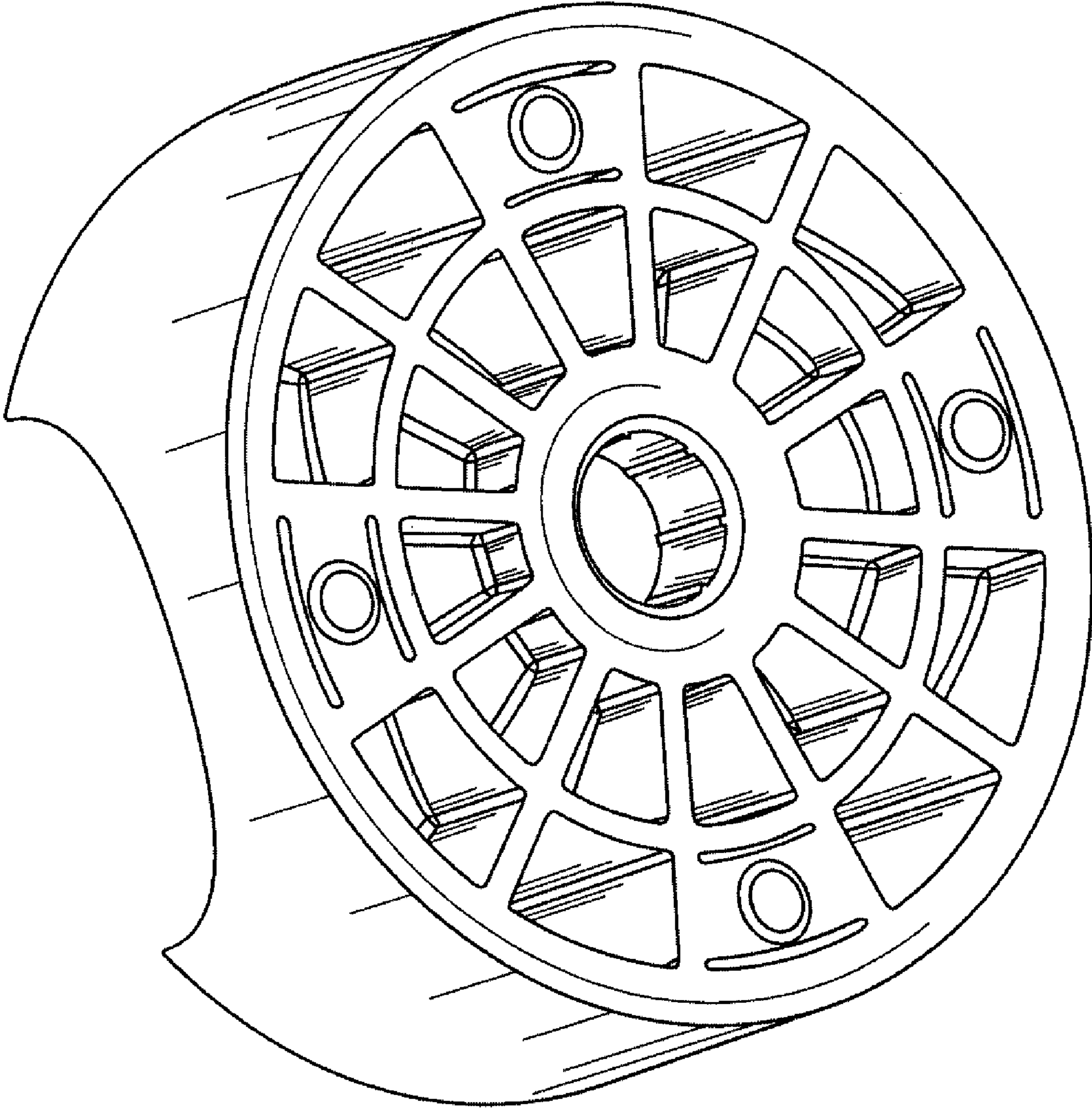


FIG 9

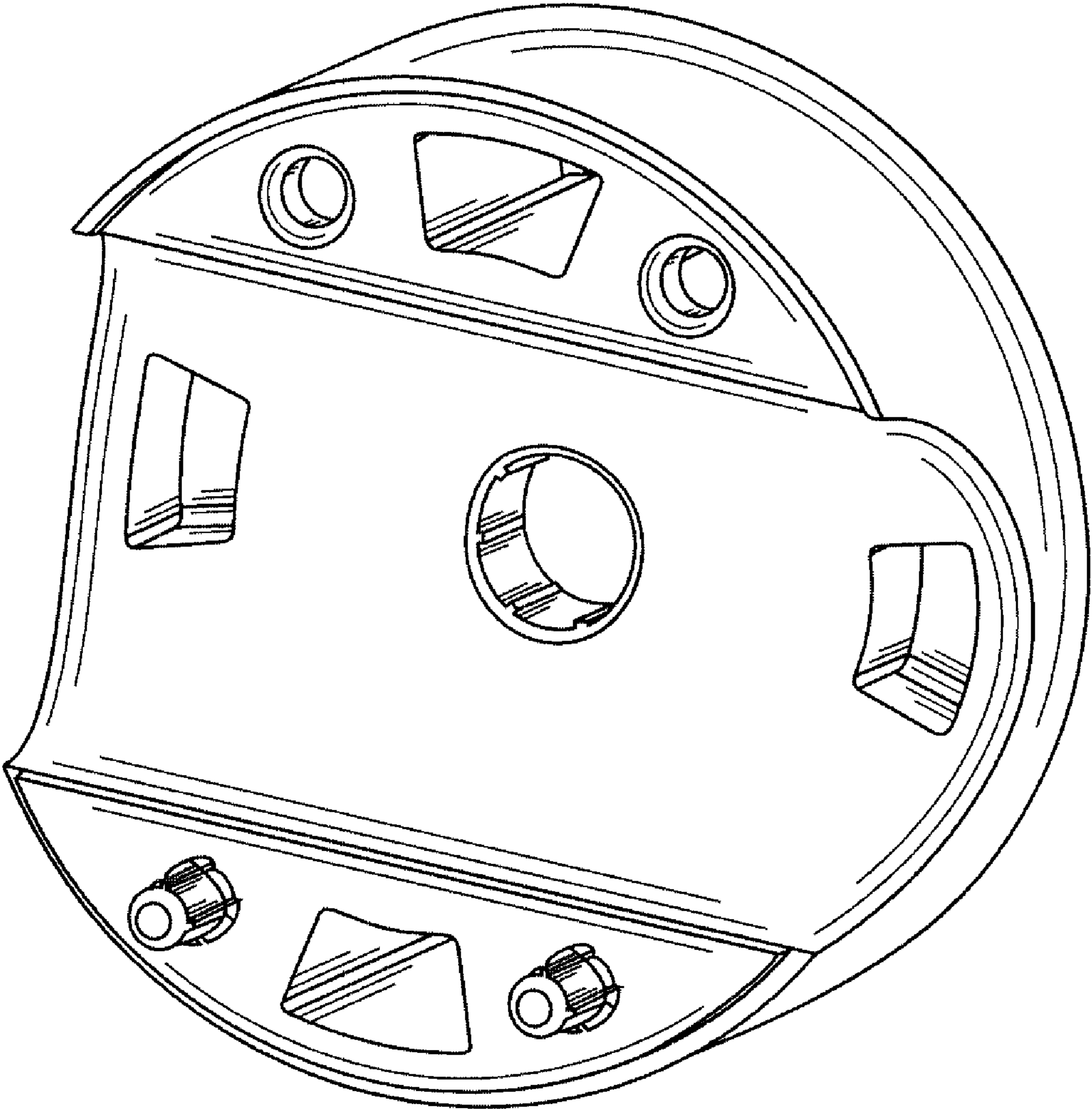


FIG 10