

US00D596276S

(12) **United States Design Patent**  
**Espinoza**

(10) **Patent No.:** **US D596,276 S**

(45) **Date of Patent:** **\*\* Jul. 14, 2009**

(54) **WALL HUNG WATER CLOSET**

D556,872 S \* 12/2007 Crowther et al. .... D23/300

\* cited by examiner

(75) Inventor: **Azael Celis Espinoza**, San Nicolas de los Garza (MX)

*Primary Examiner*—Robert A Delehanty  
(74) *Attorney, Agent, or Firm*—Foley & Lardner LLP

(73) Assignee: **Sloan Valve Company**, Franklin Park, IL (US)

(57) **CLAIM**

(\*\*) Term: **14 Years**

I claim the ornamental design for a wall hung water closet, as shown and described.

(21) Appl. No.: **29/318,035**

**DESCRIPTION**

(22) Filed: **May 12, 2008**

FIG. 1 is a perspective view of a wall hung water closet showing my new design.

(51) **LOC (9) Cl.** ..... **23-02**

FIG. 2 is a top view thereof;

(52) **U.S. Cl.** ..... **D23/300**

FIG. 3 is a front side view thereof;

(58) **Field of Classification Search** ..... D23/273–274, D23/299–301, 303, 309; 4/663–664, 328, 4/329, 353, 420, 661, DIG. 15

FIG. 4 is a left side view thereof;

FIG. 5 is right side view thereof;

See application file for complete search history.

FIG. 6 is a bottom view thereof; and,

FIG. 7 is a rear view thereof.

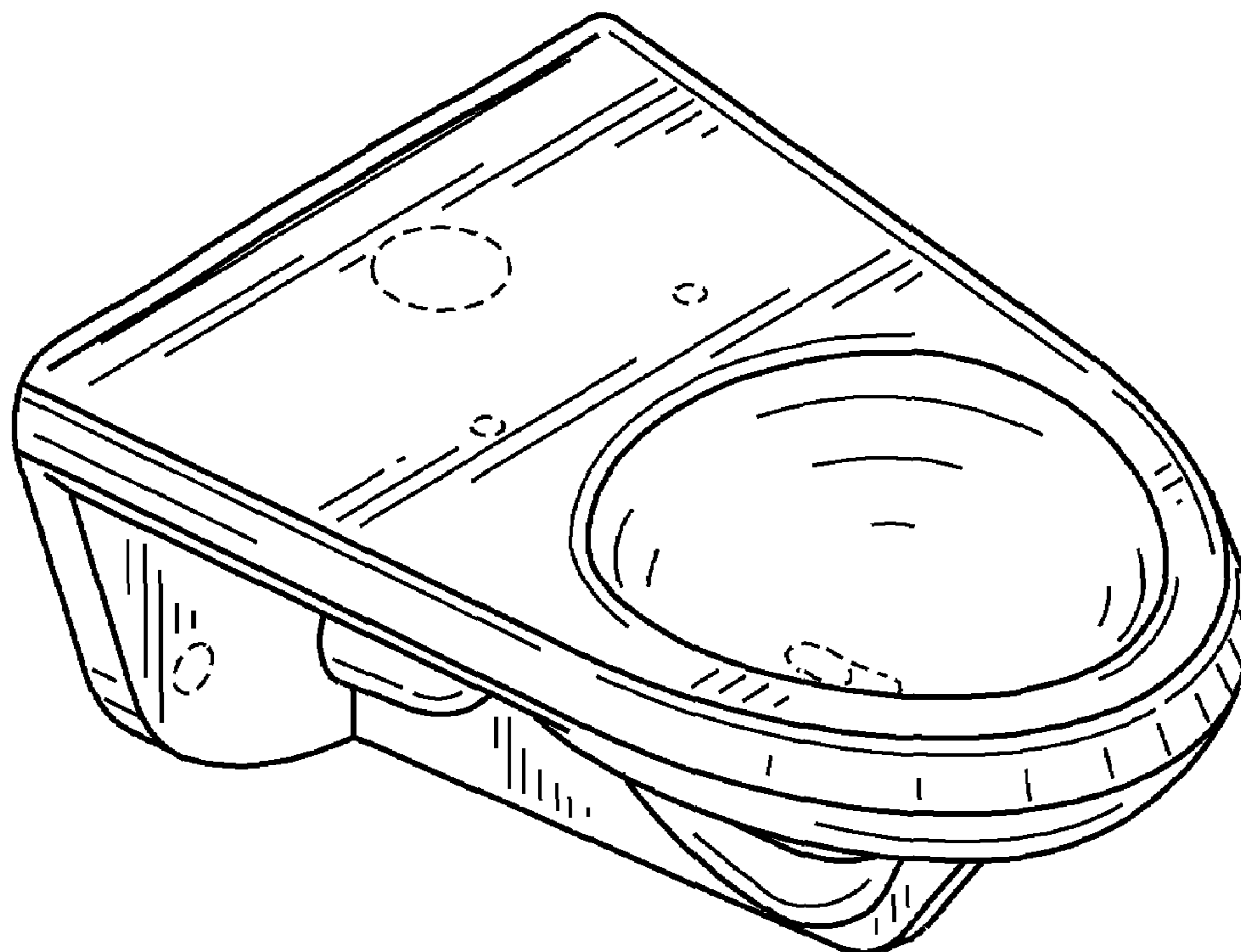
(56) **References Cited**

The broken lines shown are for illustrative purposes only and form no part of the claimed design.

**U.S. PATENT DOCUMENTS**

D354,341 S \* 1/1995 Kohler et al. .... D23/300

**1 Claim, 4 Drawing Sheets**



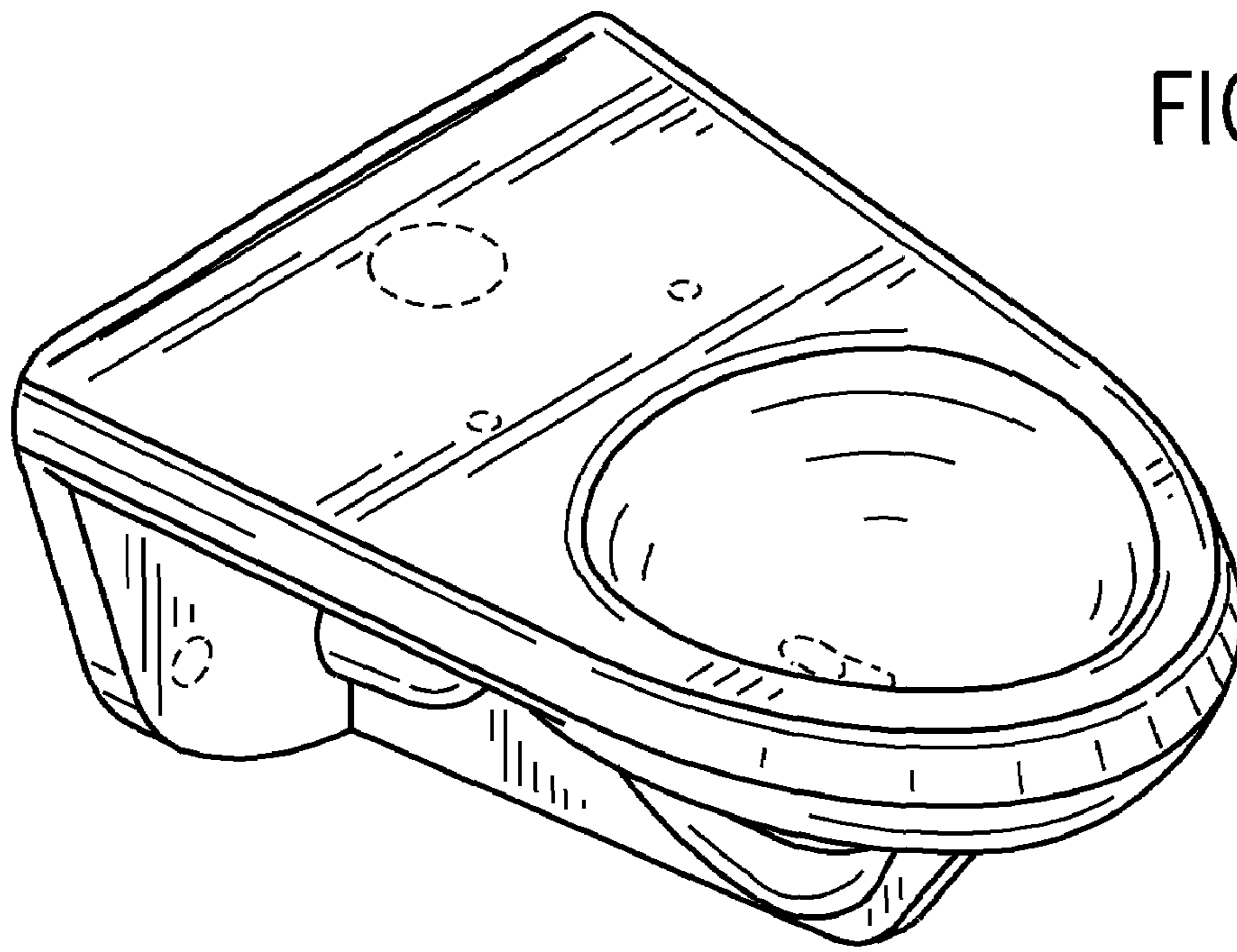


FIG. 1

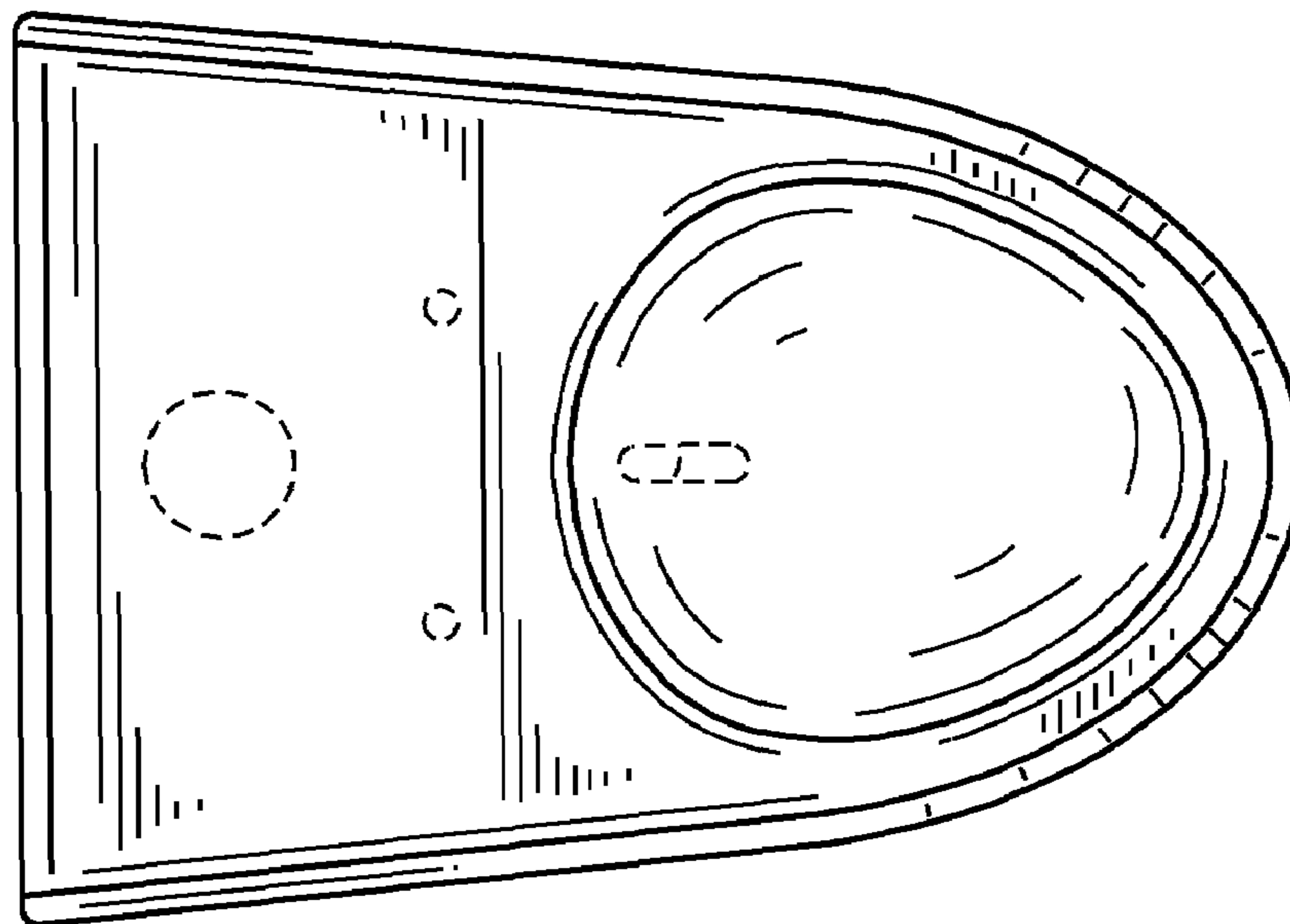


FIG. 2

FIG. 3

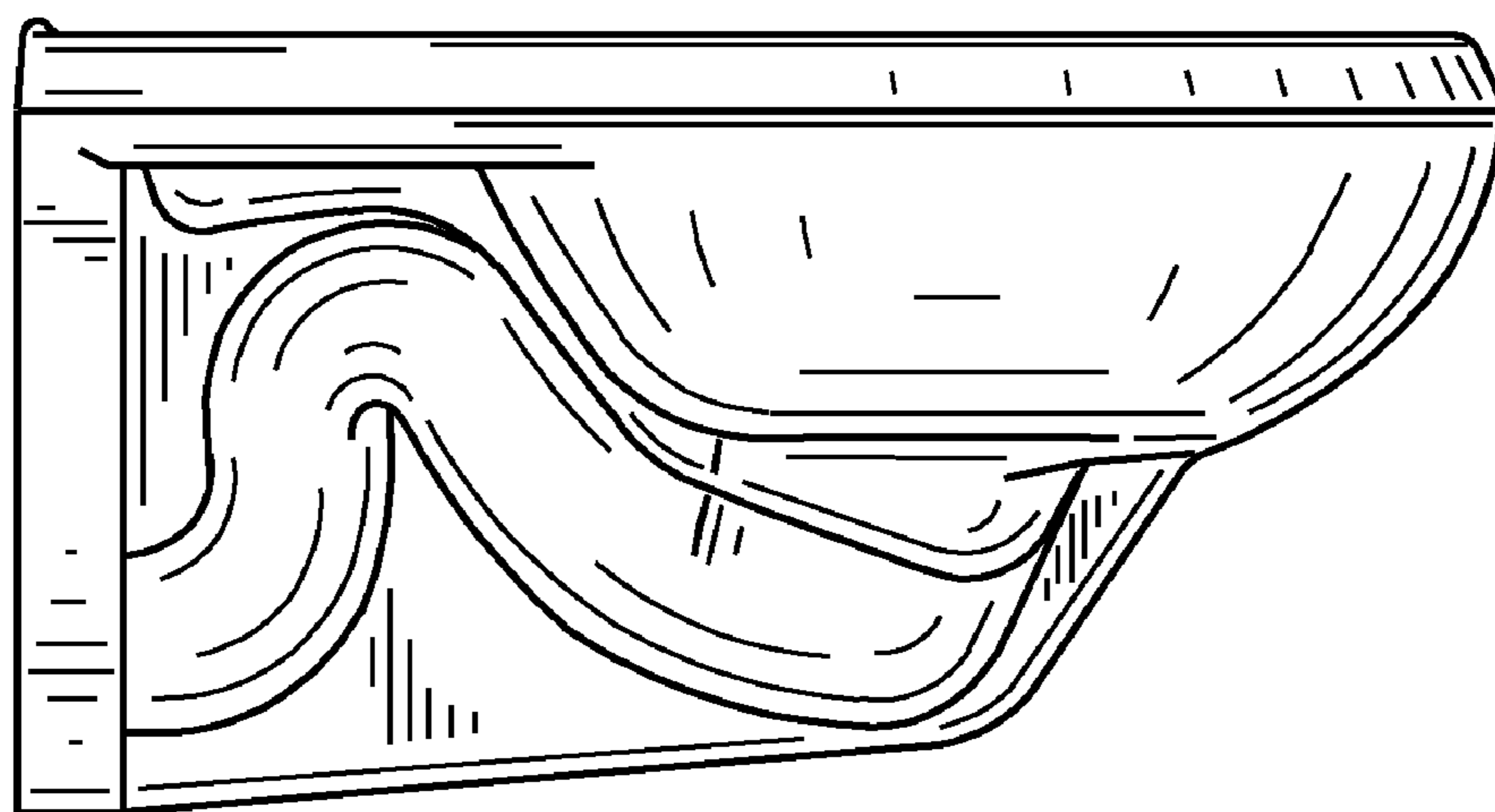
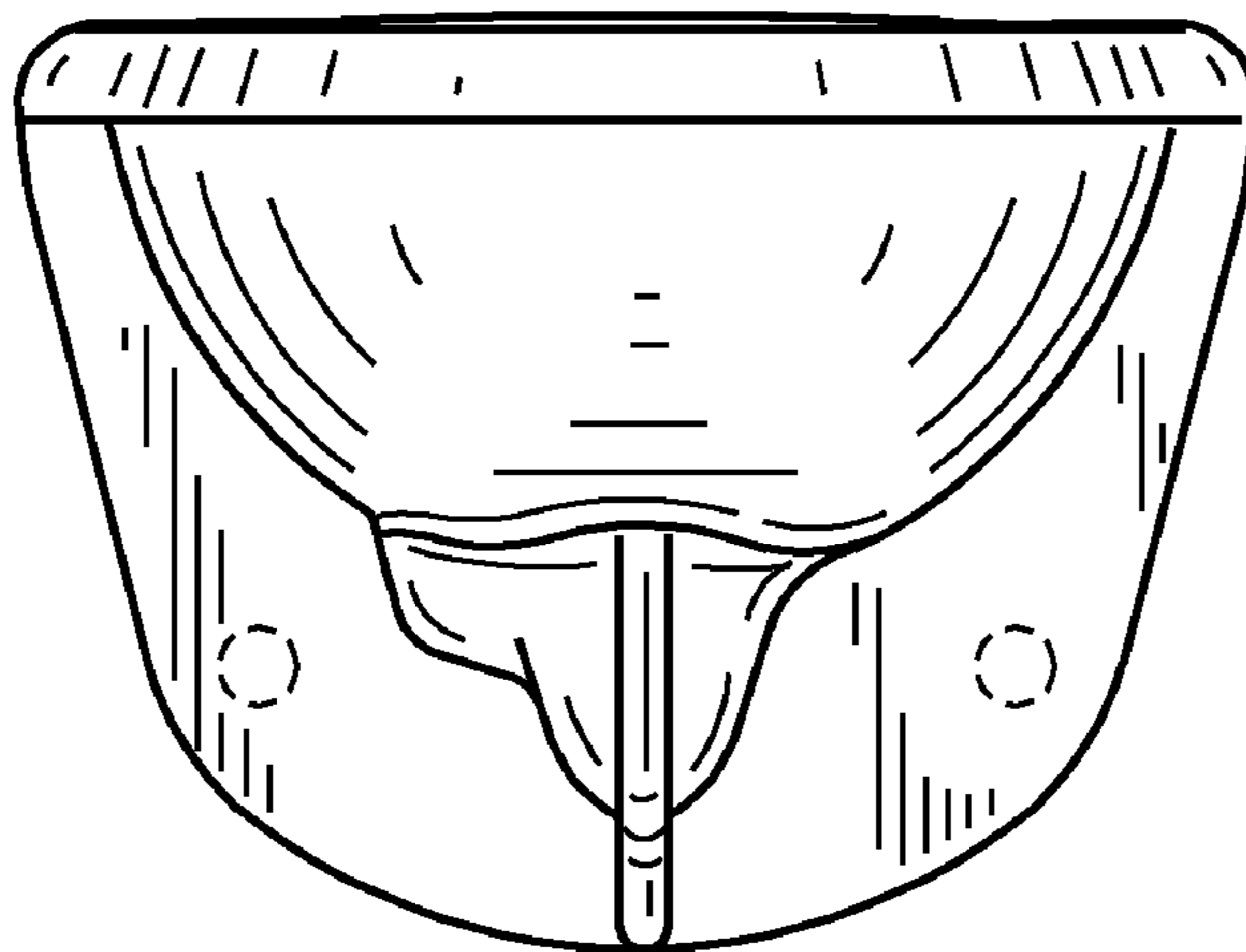


FIG. 4

FIG. 5

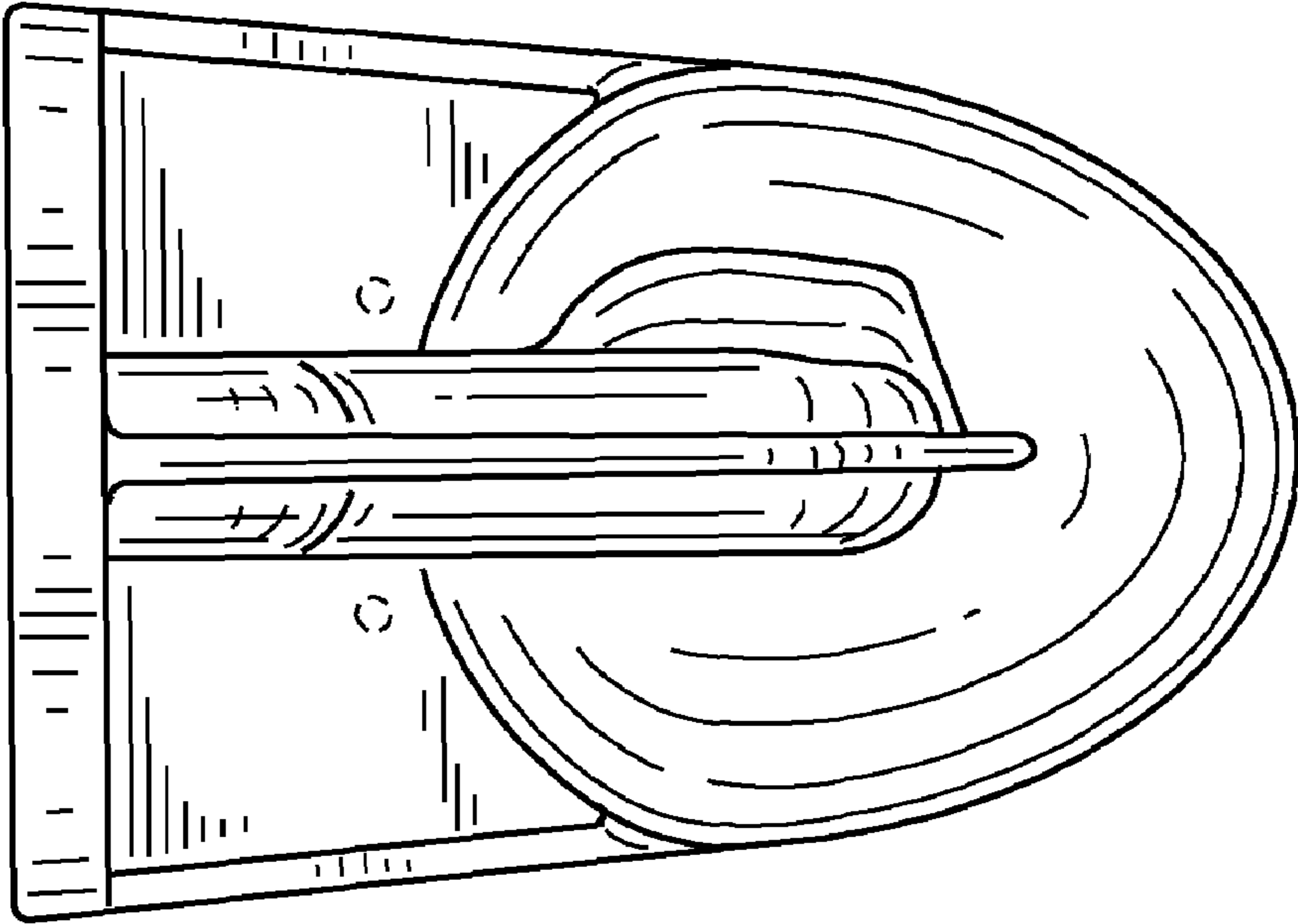
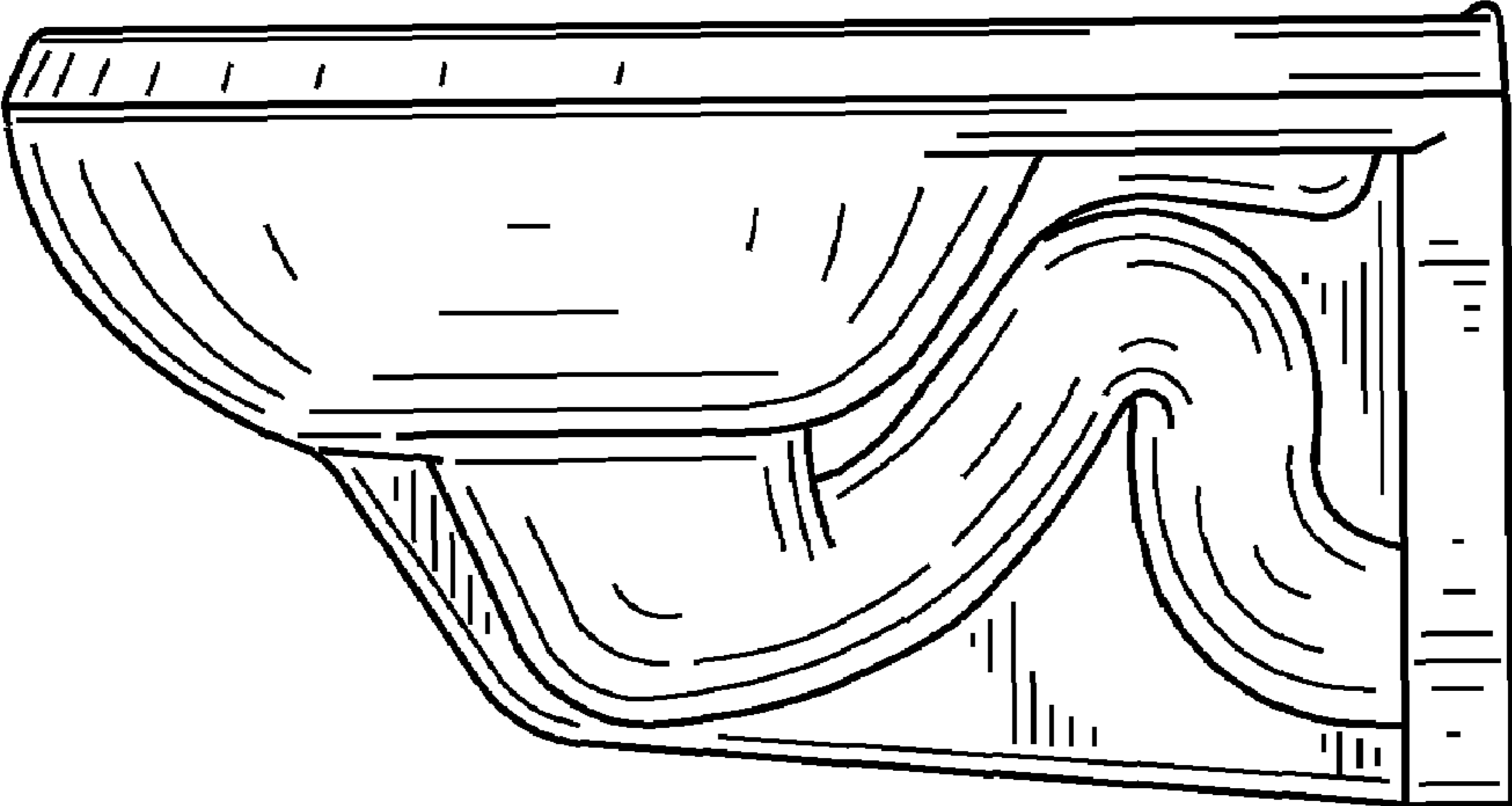


FIG. 6

FIG. 7

