



US00D596275S

(12) **United States Design Patent**
Cummings et al.

(10) **Patent No.:** **US D596,275 S**

(45) **Date of Patent:** **** Jul. 14, 2009**

(54) **TOILET PAN**

7,325,257 B2 * 2/2008 Kolar et al. 4/300
D579,532 S * 10/2008 Schmidt D23/295

(75) Inventors: **Stephen John Cummings**, Newport (AU); **Vincent Kai Hong Ho**, Stanmore (AU)

* cited by examiner

Primary Examiner—Robert A Delehanty
(74) *Attorney, Agent, or Firm*—Seyfarth ShawLLP

(73) Assignee: **Caroma Industries Limited**, Epping (AU)

(57) **CLAIM**

(**) Term: **14 Years**

The ornamental design for the toilet pan, as shown and described:

(21) Appl. No.: **29/310,543**

(22) Filed: **Aug. 25, 2008**

DESCRIPTION

(30) **Foreign Application Priority Data**

Feb. 26, 2008 (AU) 10938/2008

FIG. 1 is an isometric view of the toilet pan showing our new design;

(51) **LOC (9) Cl.** **23-02**

(52) **U.S. Cl.** **D23/295**

FIG. 2 is a top plan view thereof;

FIG. 3 is a front elevational view thereof;

(58) **Field of Classification Search** D23/273–274, D23/299–301, 303, 309, 313, 295; 4/663–664, 4/328, 329, 353, 420, 661, DIG. 15

FIG. 4 is a right-hand side elevational view thereof, the left-hand side being a mirror image thereof;

FIG. 5 is a bottom plan view thereof; and,

FIG. 6 is a rear elevational view thereof.

See application file for complete search history.

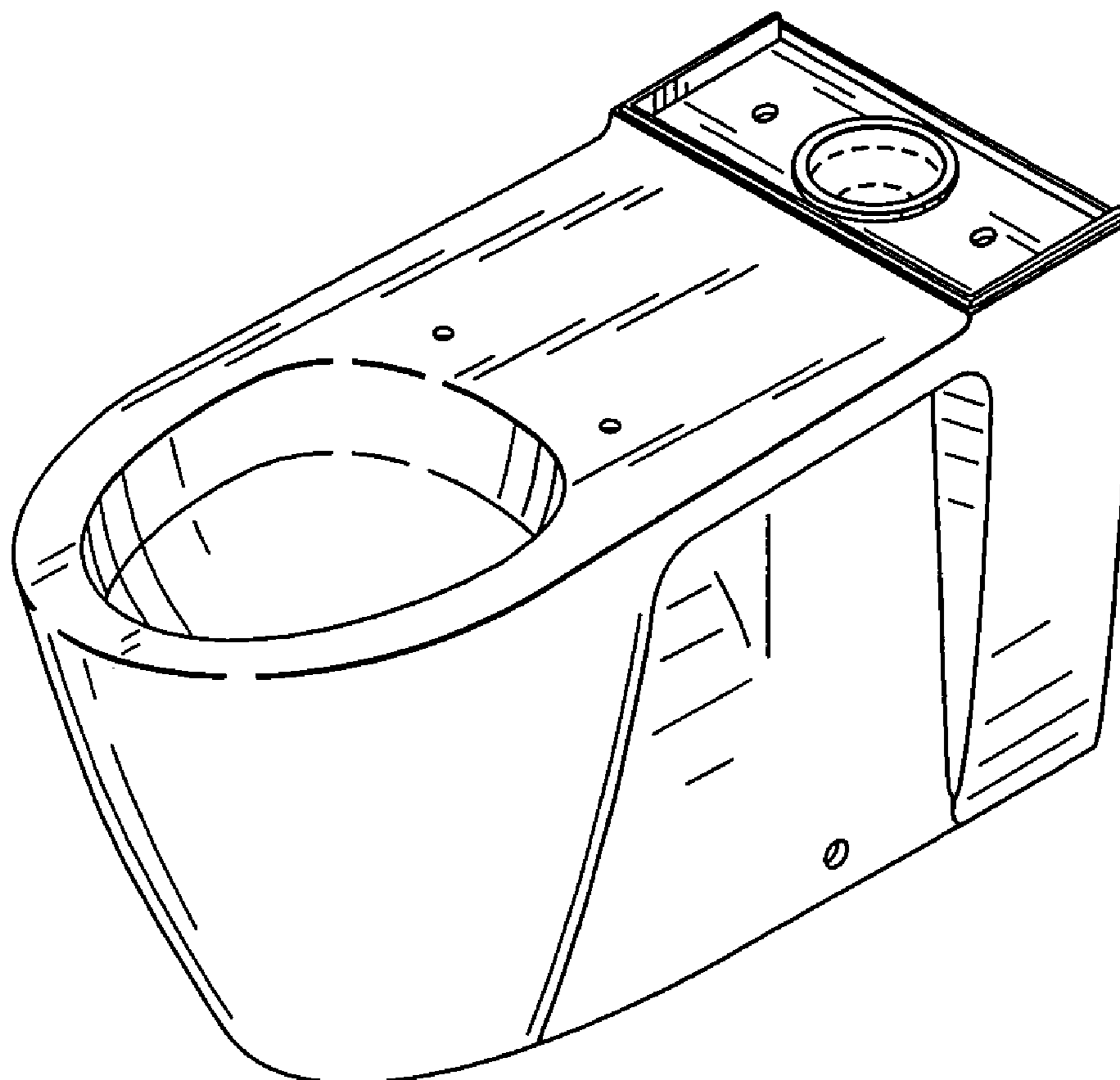
The broken lines in FIGS. 2, 5, and 6 are included for the purpose of illustrating internal portions of the toilet pan which form no part of the claimed design.

(56) **References Cited**

U.S. PATENT DOCUMENTS

D465,562 S * 11/2002 Moore D23/295

1 Claim, 1 Drawing Sheet



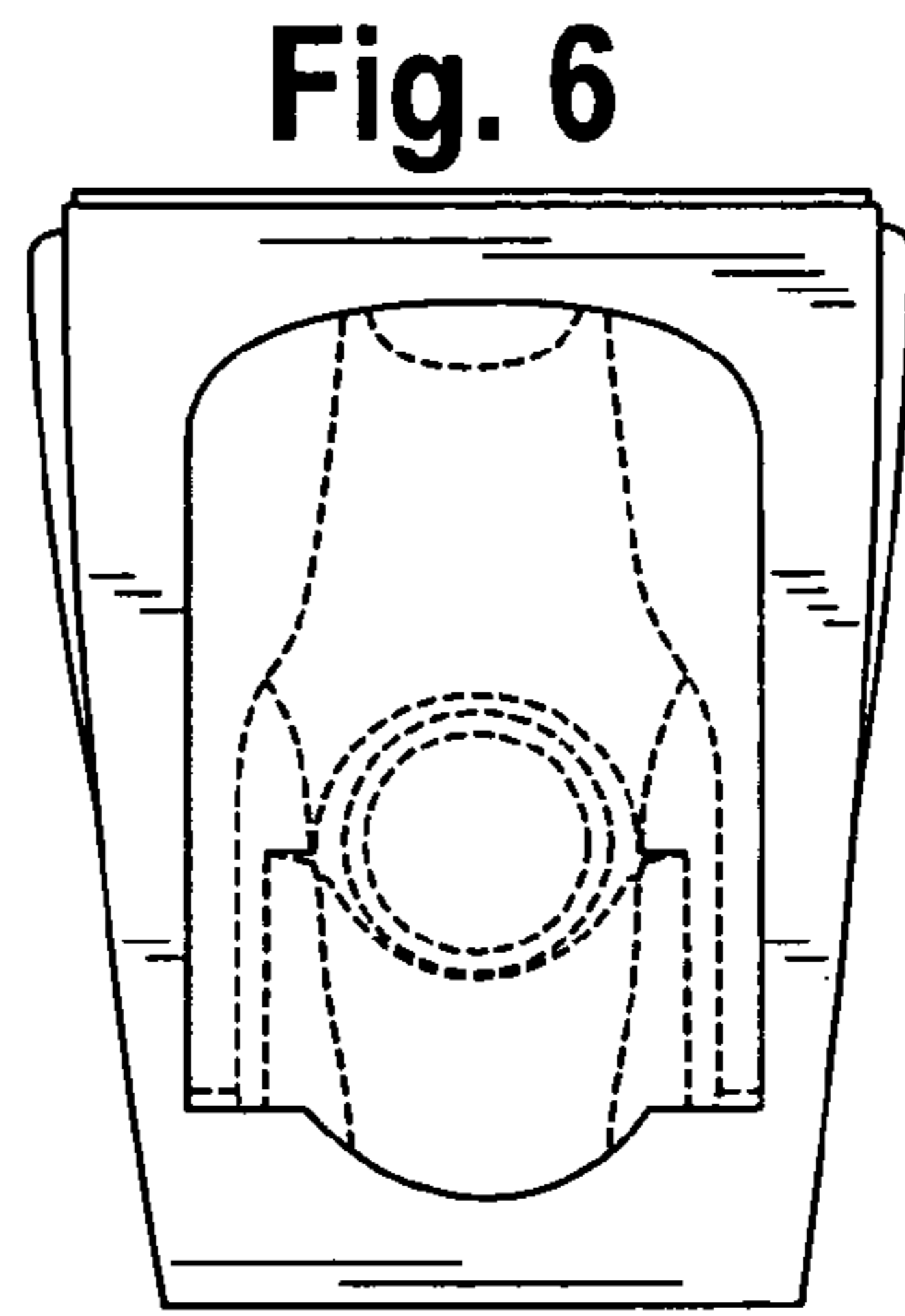
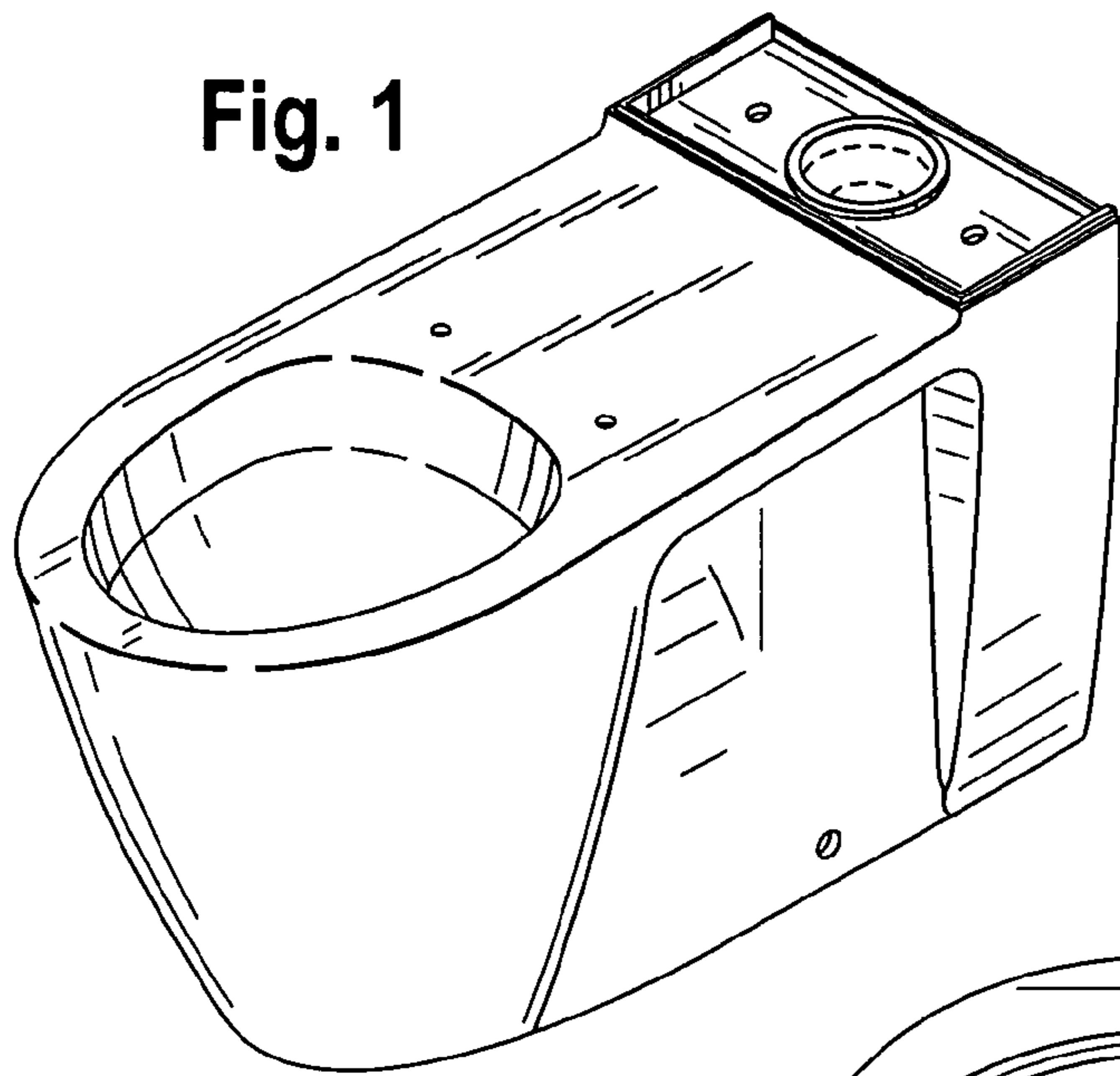


Fig. 2

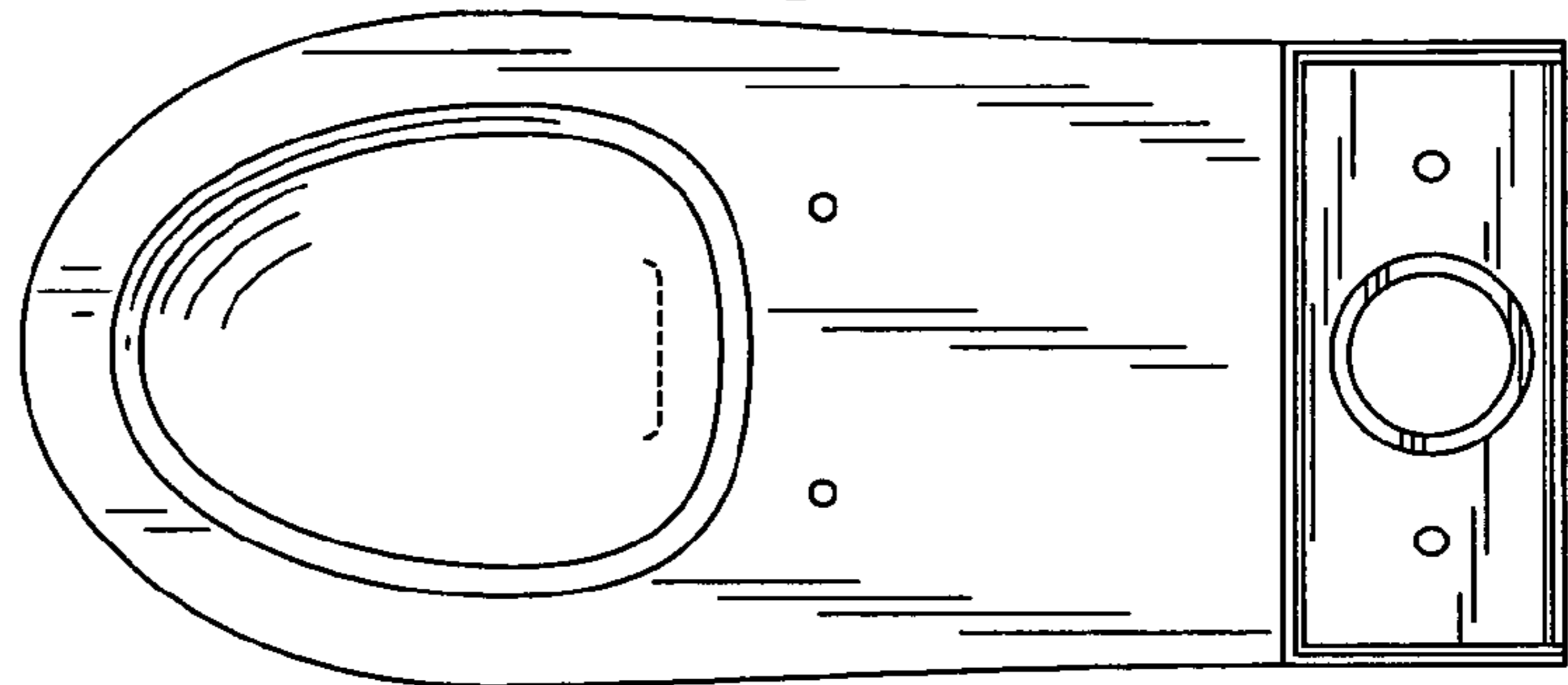


Fig. 3

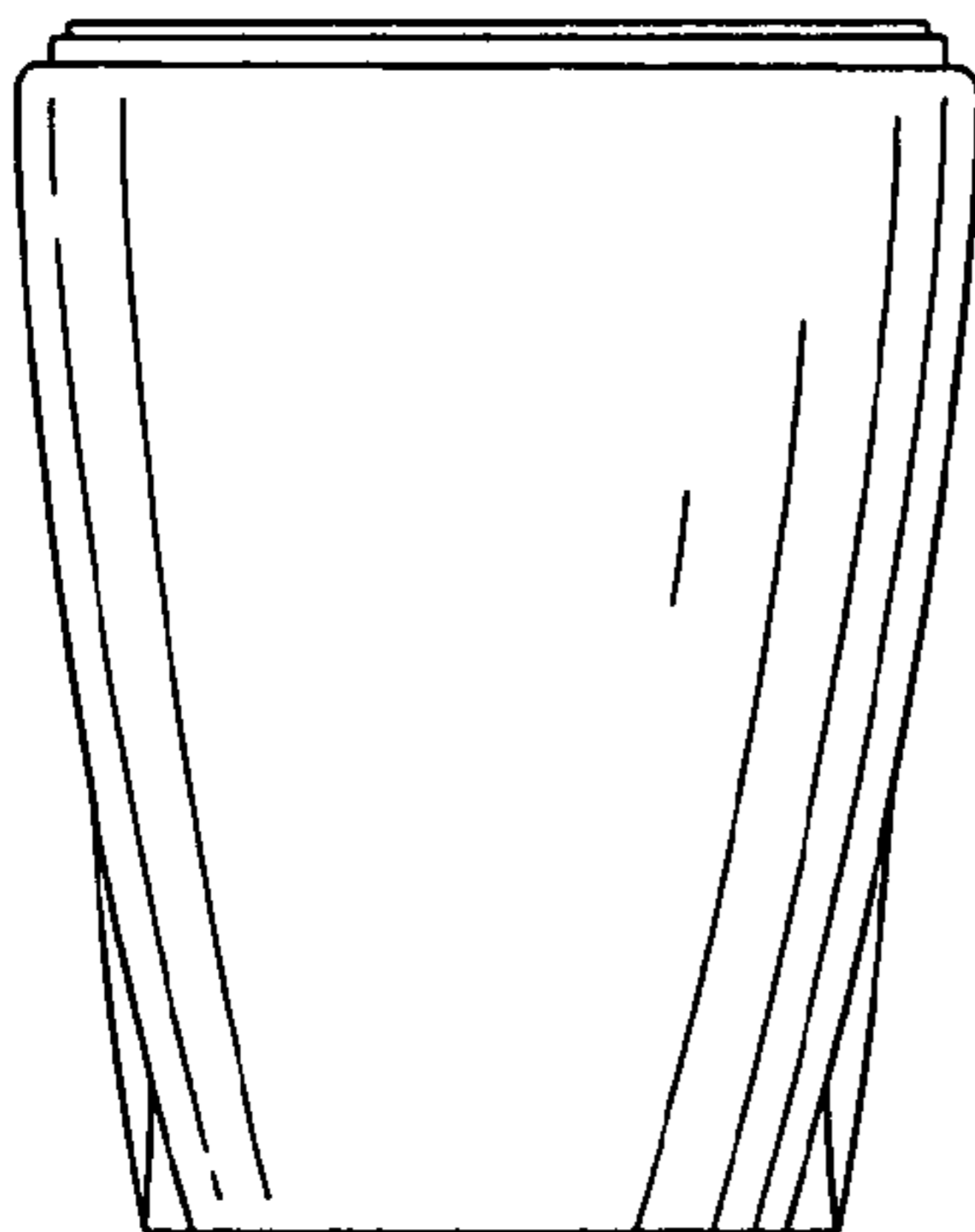


Fig. 4

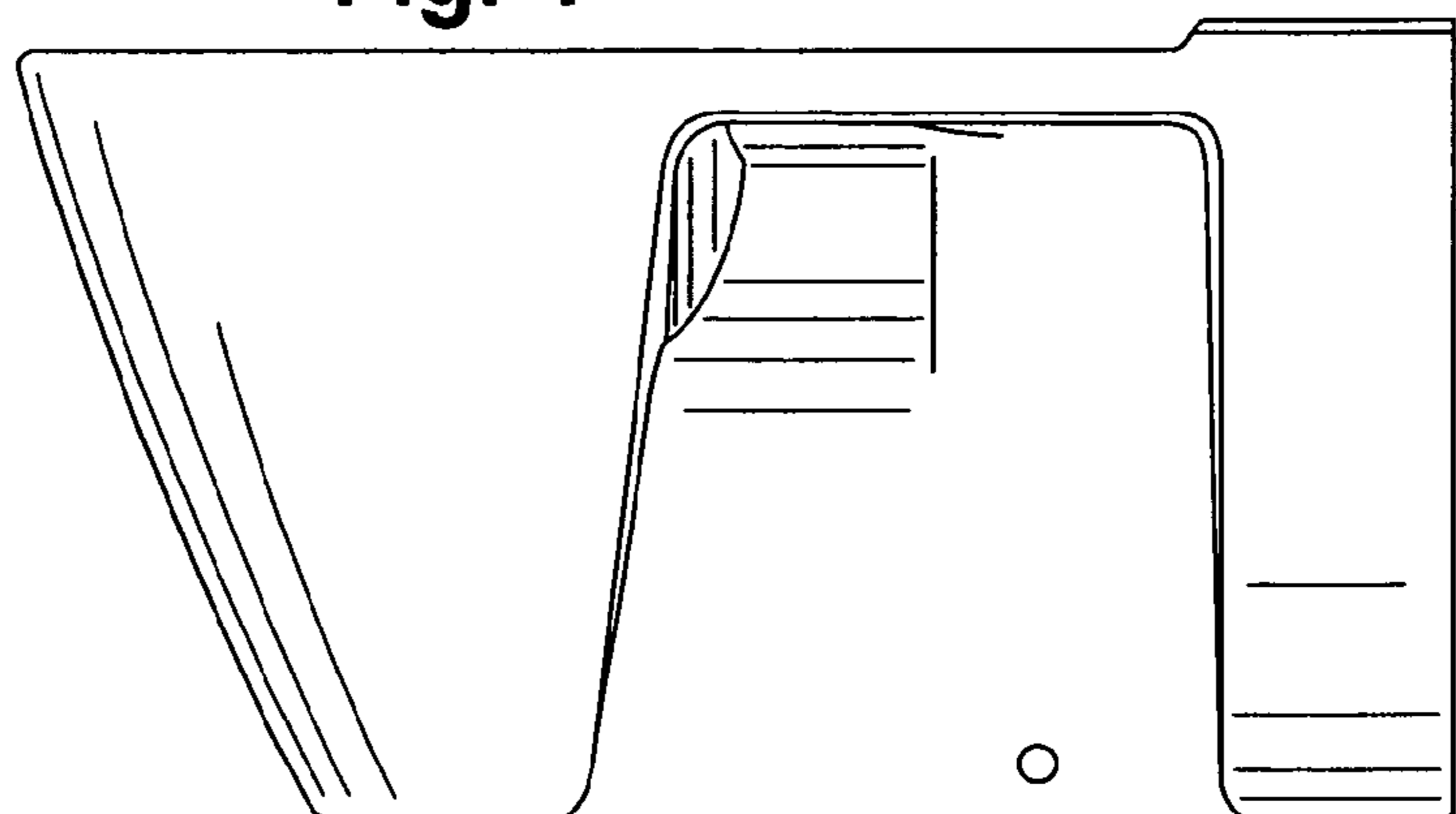


Fig. 5

