



US00D596272S

(12) **United States Design Patent**
Price et al.

(10) **Patent No.:** **US D596,272 S**
(45) **Date of Patent:** **** Jul. 14, 2009**

(54) **SWIVEL THREADED END FEMALE SEWER FITTING**

(75) Inventors: **Clay D. Price**, Stokesdale, NC (US);
Jeffrey R. Russell, Winston Salem, NC (US)

(73) Assignee: **Camco Manufacturing, Inc.**, Greensboro, NC (US)

(**) Term: **14 Years**

(21) Appl. No.: **29/307,287**

(22) Filed: **Apr. 10, 2008**

(51) **LOC (9) Cl.** **23-01**

(52) **U.S. Cl.** **D23/259**

(58) **Field of Classification Search** 285/11-12,
285/7, 177, 394-395, 307, 179, 179.1, 133.11,
285/133.12, 423, 358, 903; D23/263; 138/177-179;
403/350, 409.1; 292/58-59

See application file for complete search history.

(56) **References Cited**

U.S. PATENT DOCUMENTS

D25,709 S *	6/1896	Pratt	D23/262
D29,797 S *	12/1898	Pratt	D23/262
1,692,710 A *	11/1928	Spahn	220/288
1,846,096 A *	2/1932	Feldmeier	285/12
D128,314 S	7/1941	Kelly		
D171,627 S *	3/1954	Weber	D13/133
D227,763 S *	7/1973	Hand	D23/262
D229,496 S *	12/1973	Hand	D23/262
D254,802 S *	4/1980	Hayes	D23/262
D274,453 S *	6/1984	Hayes	D23/262
4,688,833 A	8/1987	Todd		
D296,581 S *	7/1988	Hattori	D23/262
5,351,996 A *	10/1994	Martin	285/64
5,417,460 A	5/1995	Lunder		
D372,765 S *	8/1996	Sisk	D23/269

D383,053 S *	9/1997	Schrader et al.	D8/382
D383,378 S *	9/1997	Schrader et al.	D8/382
5,667,251 A	9/1997	Prest		
5,915,411 A	6/1999	Gilbert et al.		
5,971,438 A *	10/1999	Johnson	285/12
6,170,882 B1	1/2001	Prest		
D479,585 S *	9/2003	Mulligan et al.	D23/262
D508,980 S *	8/2005	Bigelow	D23/262
D564,076 S	3/2008	Brockington et al.		
D565,707 S *	4/2008	Brockington et al.	D23/262

OTHER PUBLICATIONS

Ref. No. 1, Camco Rhinoflex Hose Coupler (P/N 39743), Camco Website (www.camco.net), p. 1, Mar. 11, 2008.

Ref. No. 1, Camco Rhinoflex Hose Coupler (P/N 39743), product photos, p. 2, Mar. 11, 2008.

* cited by examiner

Primary Examiner—Louis S Zarfaz

Assistant Examiner—Eric L Goodman

(57) **CLAIM**

The ornamental design for a swivel threaded end female sewer fitting, as shown and described.

DESCRIPTION

FIG. 1 is a left, front top perspective view of a swivel threaded end female sewer fitting embodying our design;

FIG. 2 is a left, rear top perspective view of the same invention in FIG. 1;

FIG. 3 is a left side elevational view thereof;

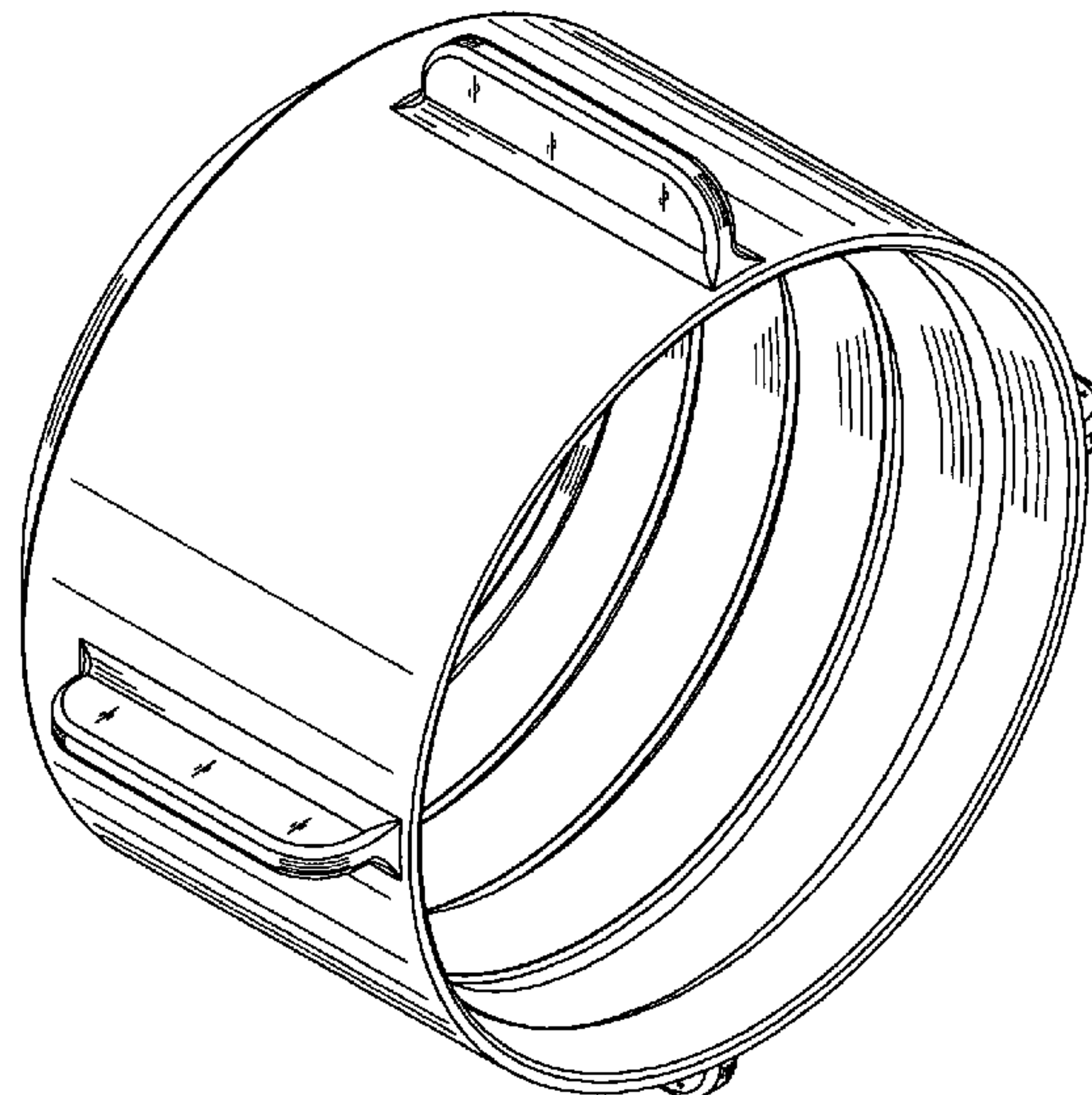
FIG. 4 is a right side elevational view thereof;

FIG. 5 is a front side elevational view thereof;

FIG. 6 is a rear side elevational view thereof; and,

FIG. 7 is a top plan view thereof, the bottom plan view being a mirror image.

1 Claim, 4 Drawing Sheets



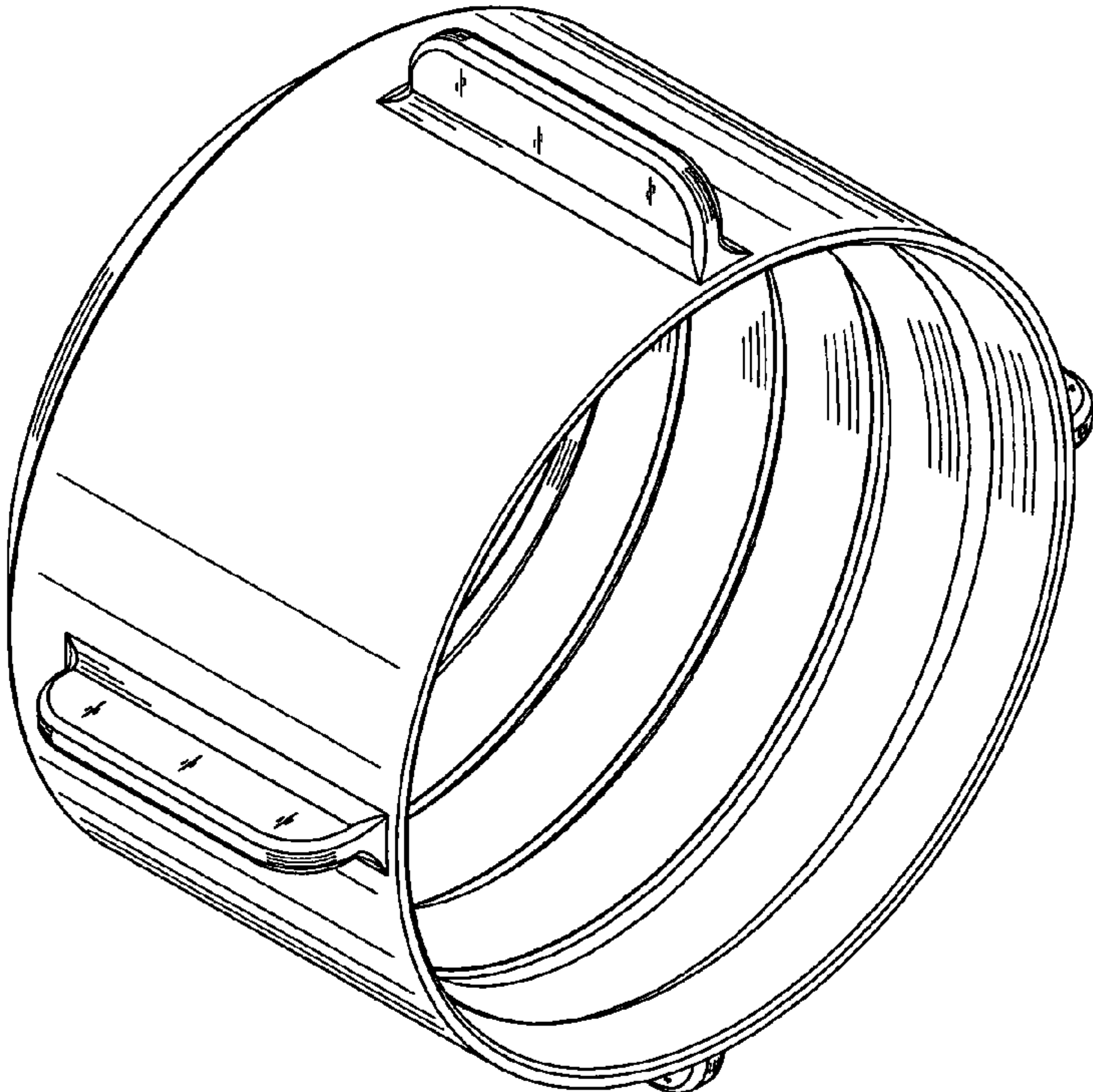


FIG. 1

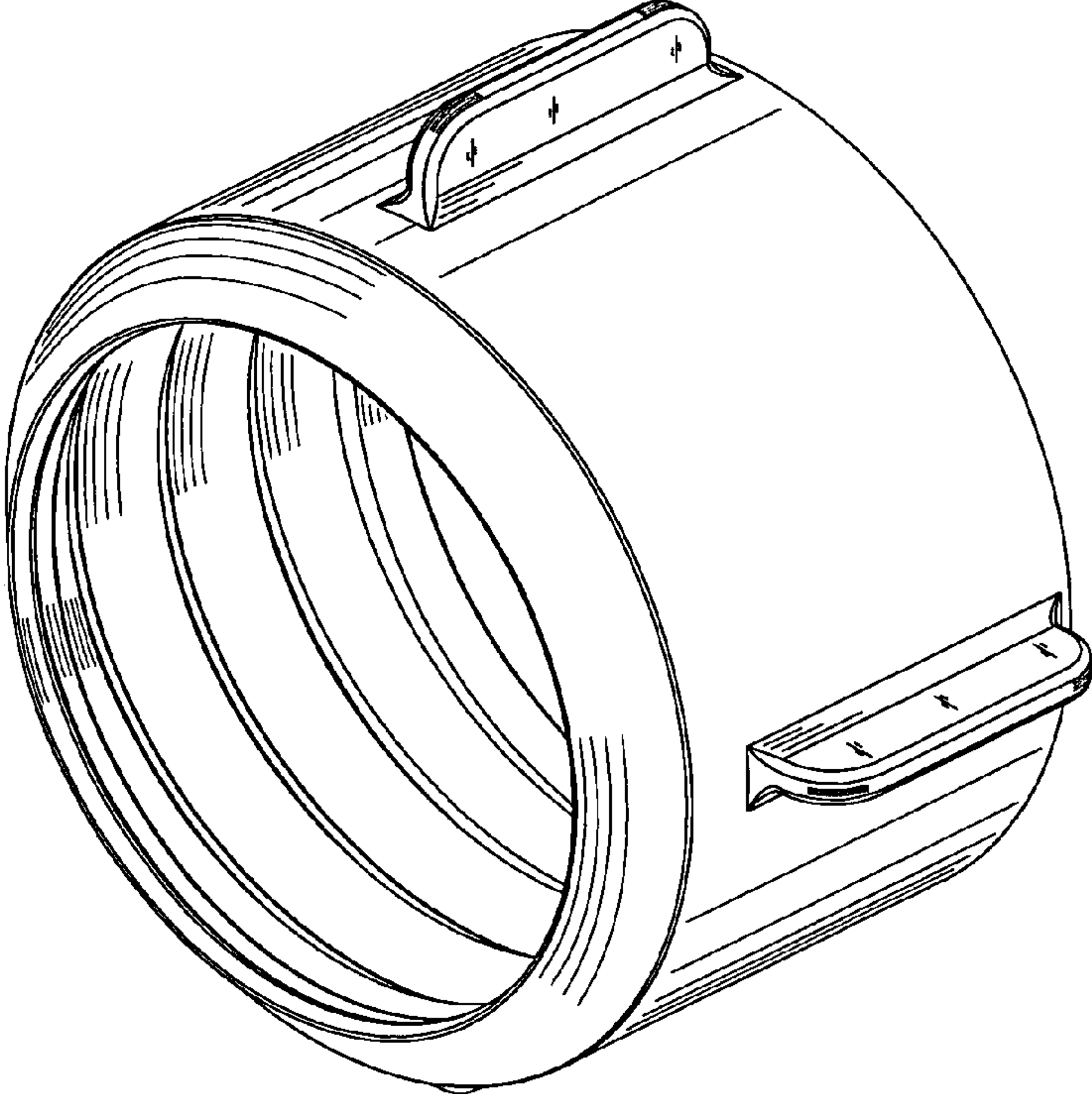


FIG. 2

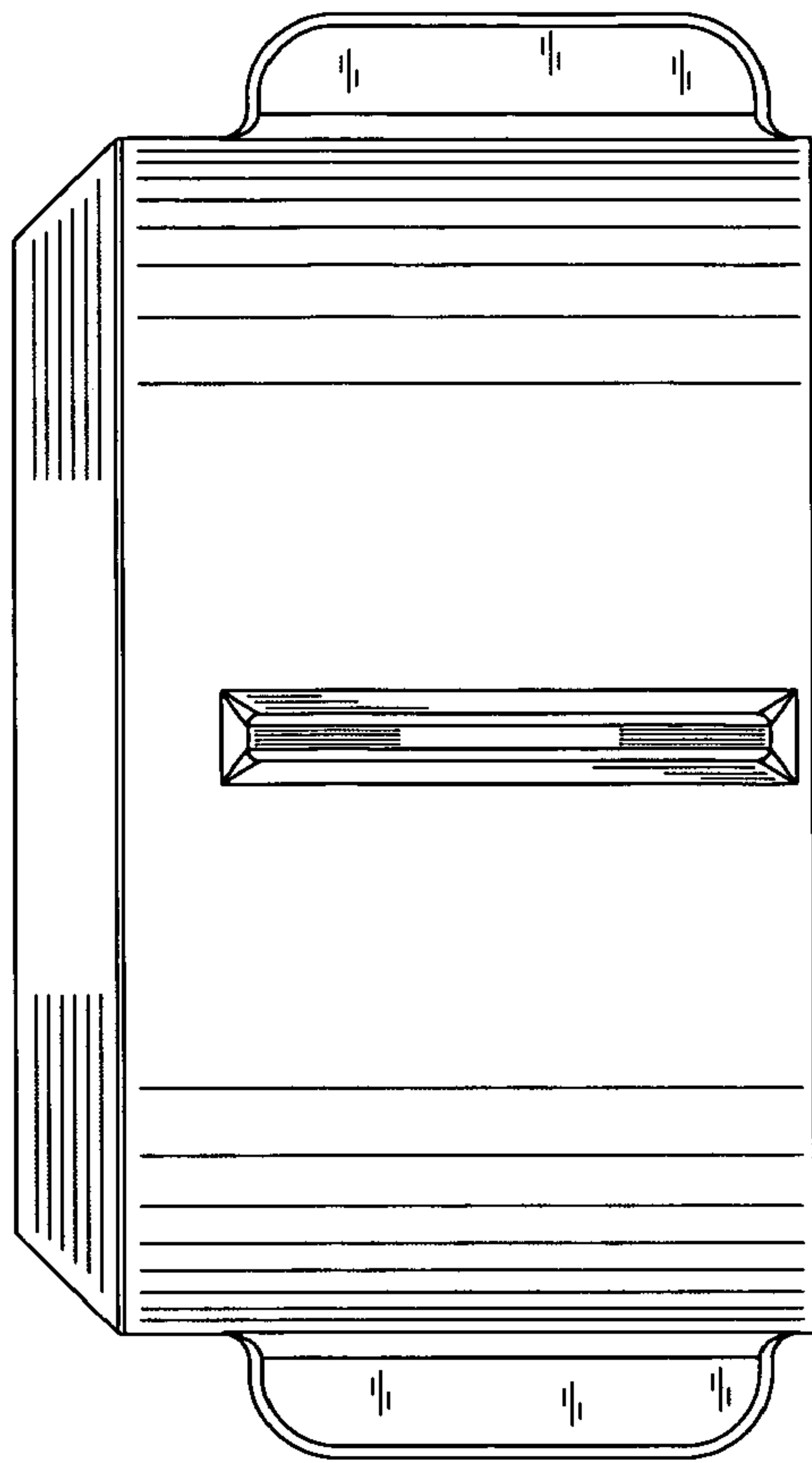


FIG. 3

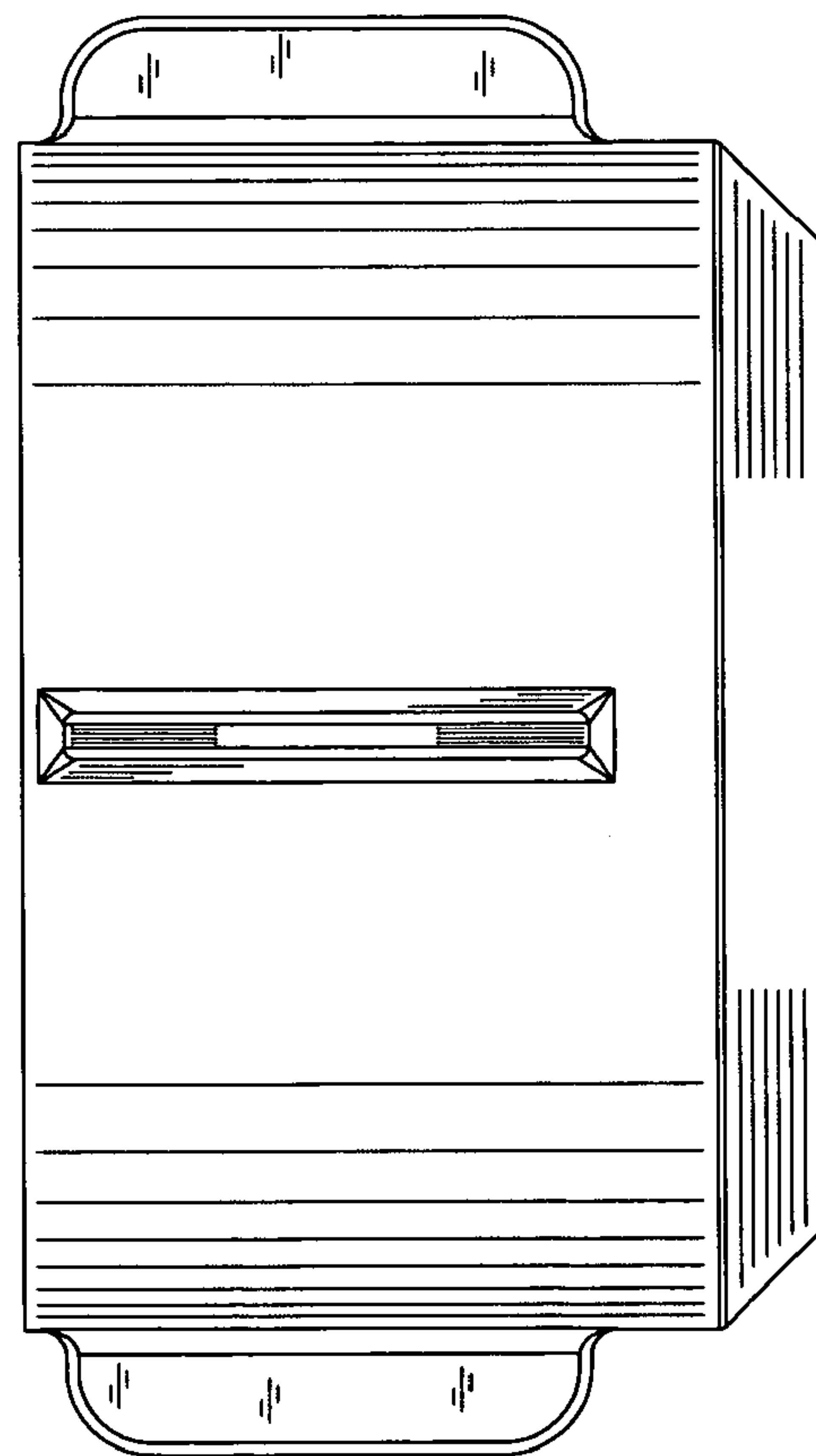


FIG. 4

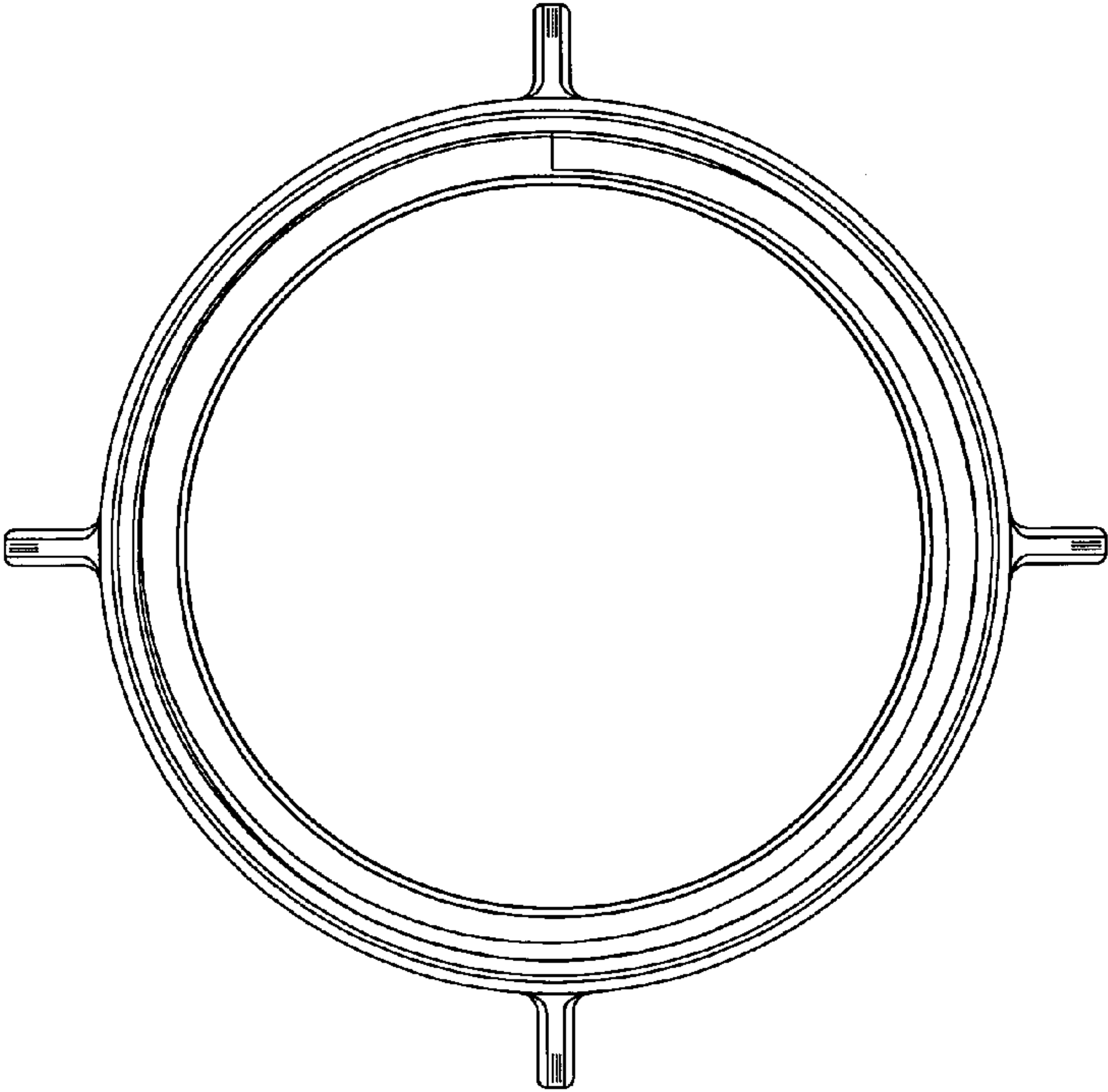


FIG. 5

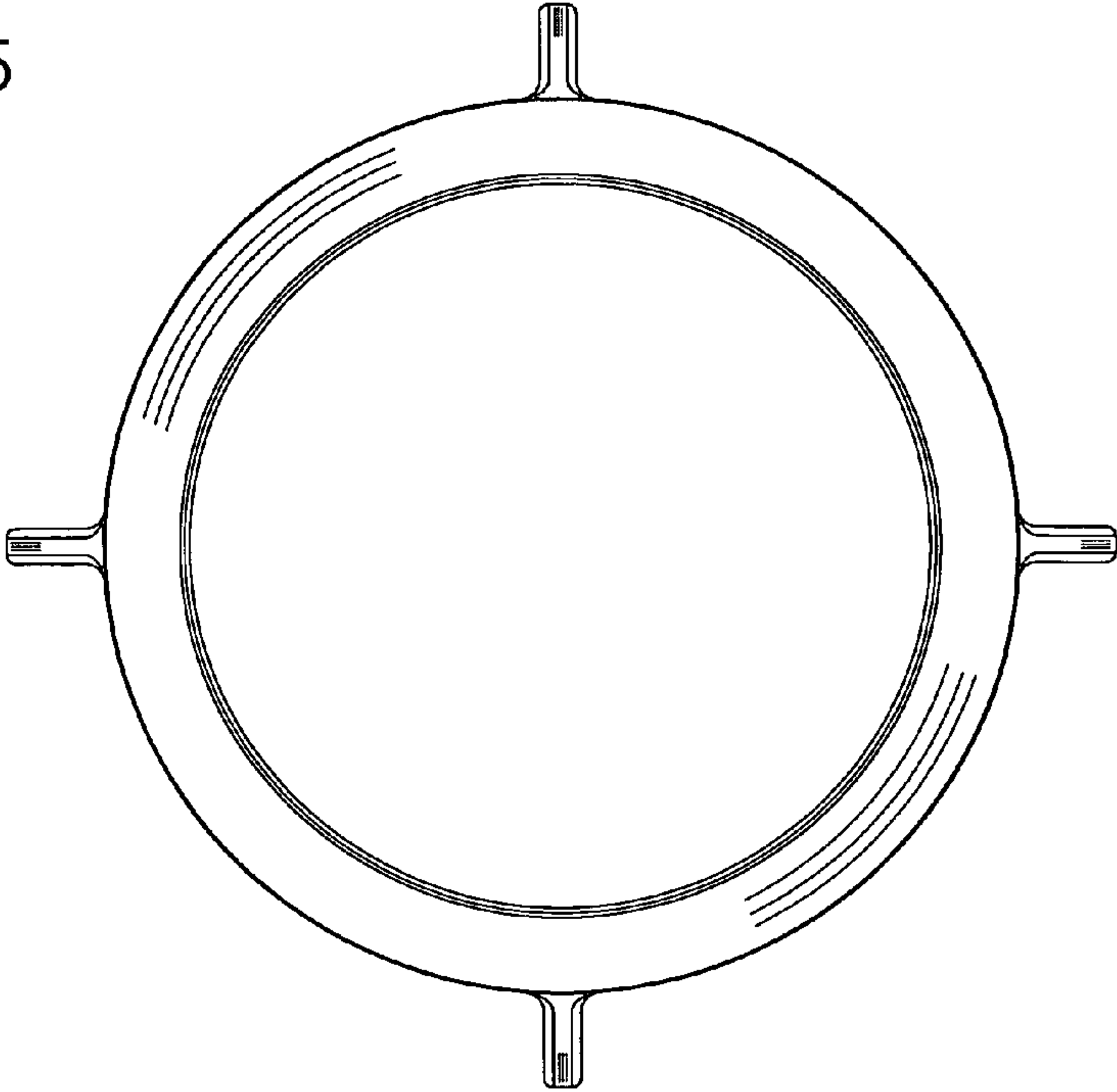


FIG. 6

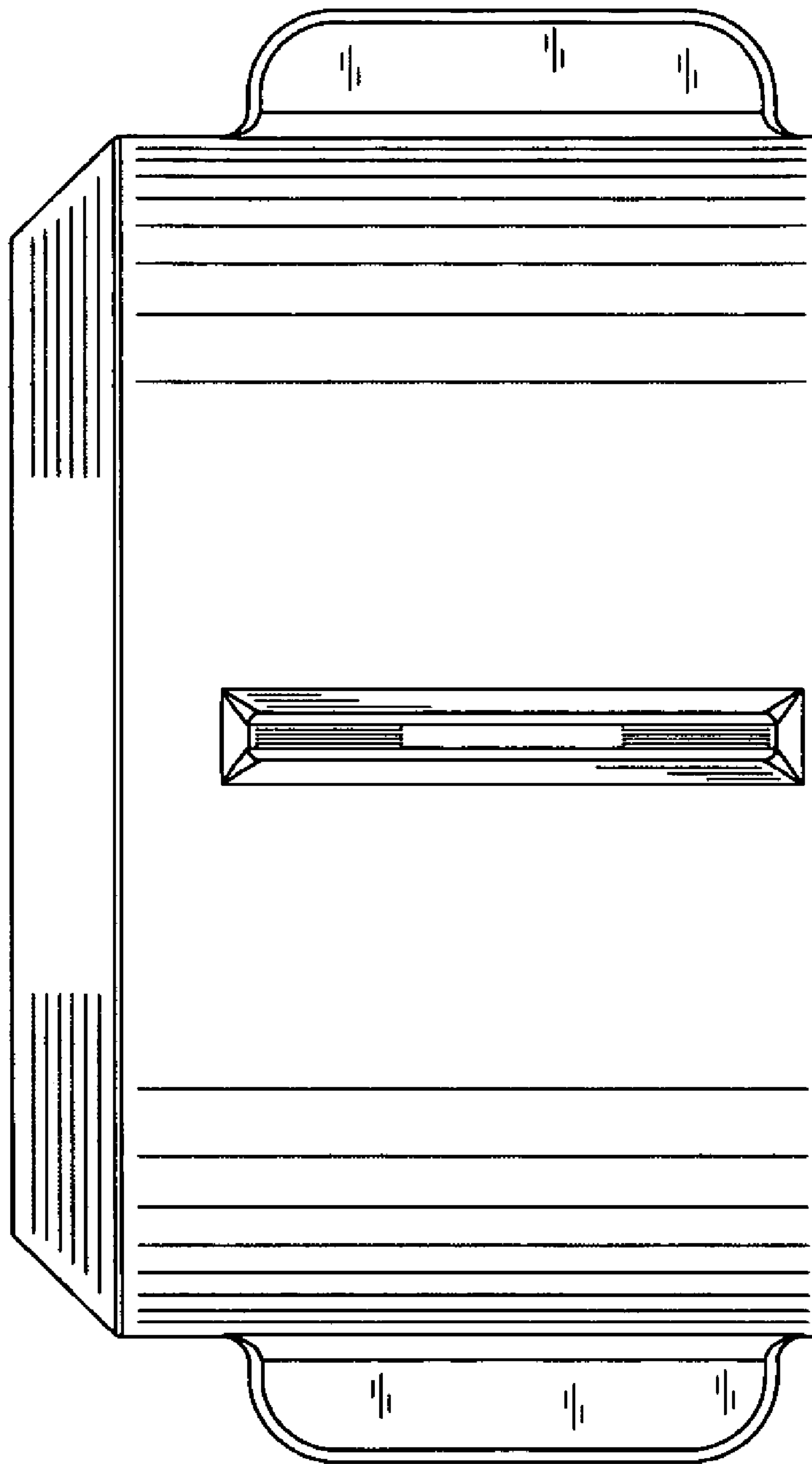


FIG. 7