

US00D596271S

(12) **United States Design Patent**
Felix et al.

(10) **Patent No.:** **US D596,271 S**
(45) **Date of Patent:** **** Jul. 14, 2009**

(54) **FLOATING HOUSING**

(75) Inventors: **Edward Felix**, Phoenix, AZ (US);
Maximilian A. Biberger, Scottsdale, AZ (US)

(73) Assignee: **Hitek Aqua Systems**, Tempe, AZ (US)

(**) Term: **14 Years**

(21) Appl. No.: **29/289,526**

(22) Filed: **Jul. 23, 2007**

(51) **LOC (9) Cl.** **23-01**

(52) **U.S. Cl.** **D23/259**

(58) **Field of Classification Search** D23/208,
D23/210, 258-269; 210/241, 242.1, 242.2,
210/242.3, 169

See application file for complete search history.

(56) **References Cited**

U.S. PATENT DOCUMENTS

D138,325	S *	7/1944	Pool	D23/258
3,162,470	A *	12/1964	Franklin et al.	285/86
D242,618	S *	12/1976	Milo	D23/247
D254,266	S *	2/1980	Tableriou	D23/262
4,781,810	A	11/1988	Tucker	204/228
4,900,432	A	2/1990	Arnold et al.	210/91
5,055,183	A *	10/1991	Buchan	210/85
5,115,222	A	5/1992	Peralta et al.	340/573
5,152,610	A	10/1992	Hallett	274/156
5,189,350	A	2/1993	Mallett	310/434
5,518,635	A	5/1996	Kohlman	210/749
D371,824	S *	7/1996	Price et al.	D23/208
5,681,110	A	10/1997	Burzacchi	374/156
5,996,138	A	12/1999	Kentch	4/508
6,113,858	A	9/2000	Tang et al.	422/82.09
D432,206	S *	10/2000	Stoltz et al.	D23/209
D439,313	S *	3/2001	Wey et al.	D23/236
6,223,359	B1	5/2001	Oltmanns et al.	4/508
6,225,900	B1	5/2001	Keon et al.	340/539
6,228,272	B1	5/2001	Gola	210/742
6,238,553	B1	5/2001	Lin	210/94
6,294,086	B1	9/2001	Reeves	210/198.1
6,309,538	B1	10/2001	Khan	210/85

D489,431	S *	5/2004	Antunez	D23/236
6,792,956	B2	9/2004	Bredo et al.	134/22.18
6,958,693	B2	10/2005	Rothgeb et al.	340/539.22
7,037,038	B1	5/2006	Haski et al.	405/60
D526,382	S *	8/2006	Thompson	D23/208
D537,913	S *	3/2007	Biberger et al.	D23/208
D559,943	S *	1/2008	Mercer et al.	D23/208
2001/0045380	A1	11/2001	Khan	210/85
2003/0227394	A1	12/2003	Rothgeb et al.	340/870.01
2004/0031329	A1	2/2004	Carpenter et al.	73/861.19
2004/0066313	A1	4/2004	Ong et al.	340/870.11
2004/0208499	A1	10/2004	Grober	396/428
2005/0220169	A1	10/2005	McGowan-Scanlon	374/156
2005/0225766	A1	10/2005	Hansen et al.	356/436
2005/0279677	A1	12/2005	Lin	210/96.1
2006/0096927	A1*	5/2006	Clukies	210/691

FOREIGN PATENT DOCUMENTS

DE	199 21 436	A1	5/2000
WO	WO 03/087501	A1	10/2003
WO	WO 03/091668	A2	11/2003

* cited by examiner

Primary Examiner—T. Chase Nelson
Assistant Examiner—Eric L Goodman
(74) *Attorney, Agent, or Firm*—Haverstock & Owens LLP

(57) **CLAIM**

The ornamental design for a floating housing, as shown and described.

DESCRIPTION

FIG. 1 is a side elevational view of floating housing in the Up position, showing our new design;
FIG. 2 is a bottom view in the Up position thereof;
FIG. 3 is a side perspective view, from the bottom, in the Up position thereof;
FIG. 4 is an alternate side perspective view, from the bottom, in the Up position thereof;
FIG. 5 is a side elevational view in the Down position thereof;
FIG. 6 is an alternate side elevational view in the Down position thereof;

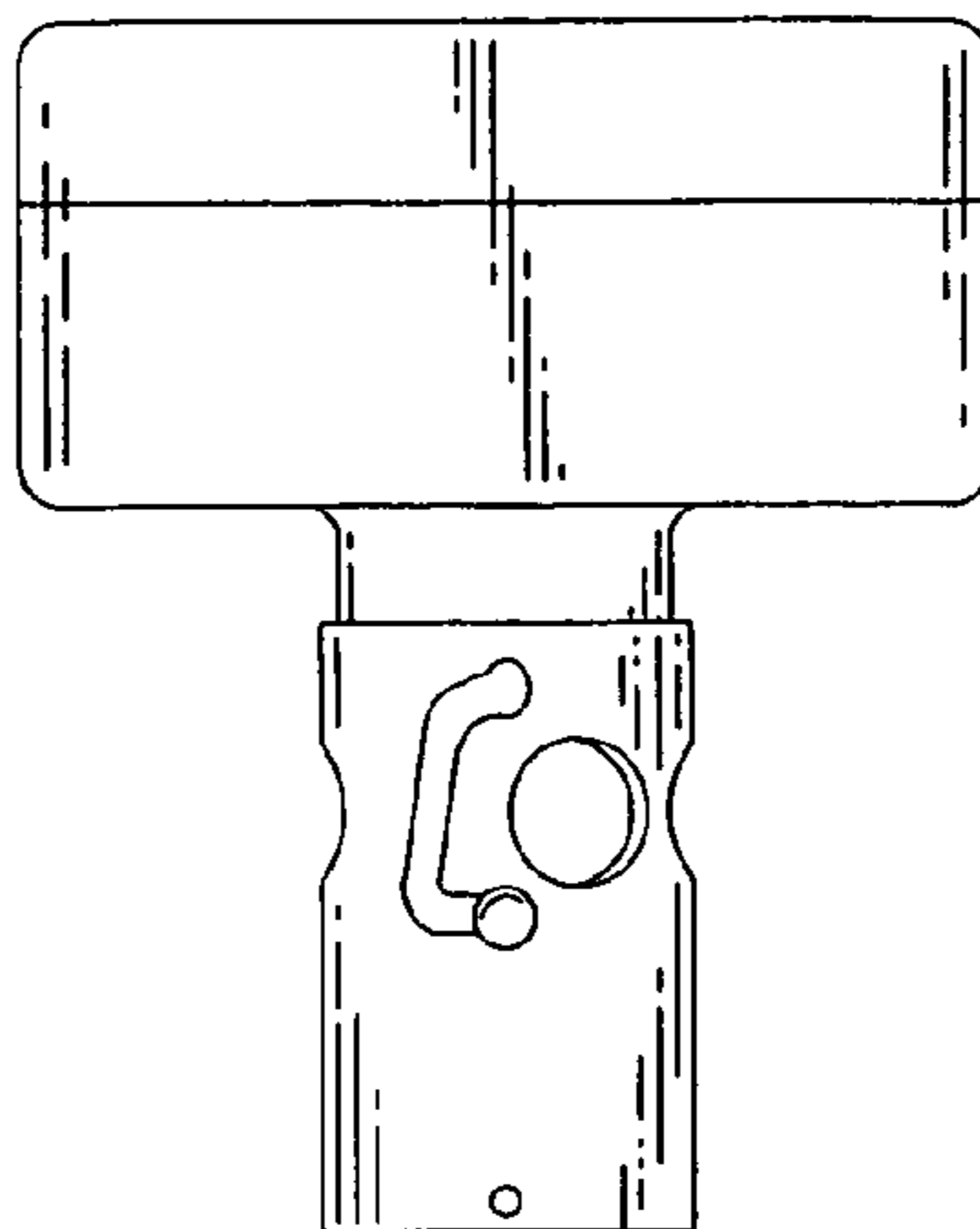


FIG. 7 is a side perspective view, from the bottom, in the Down position thereof;

FIG. 8 is an alternate side perspective view, from the top, in the Down position thereof;

FIG. 9 is a side elevational view in the Shipping position thereof; and,

FIG. 10 is a bottom view in the Shipping position thereof.

The broken line showing in FIGS. 2, 5, and 10 is included for the purpose of illustrating portions of the article and forms no part of the claimed design.

1 Claim, 5 Drawing Sheets

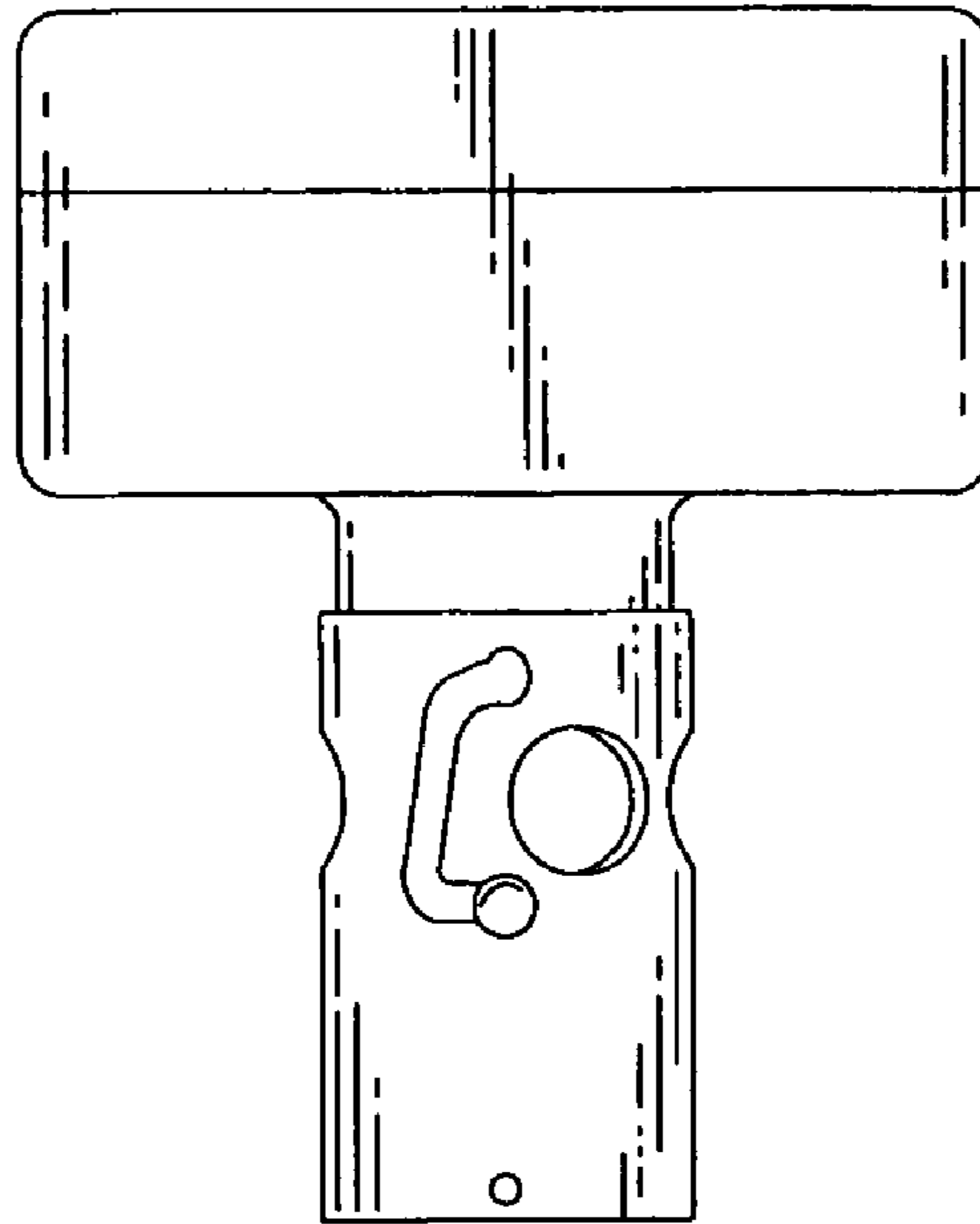


Fig. 1

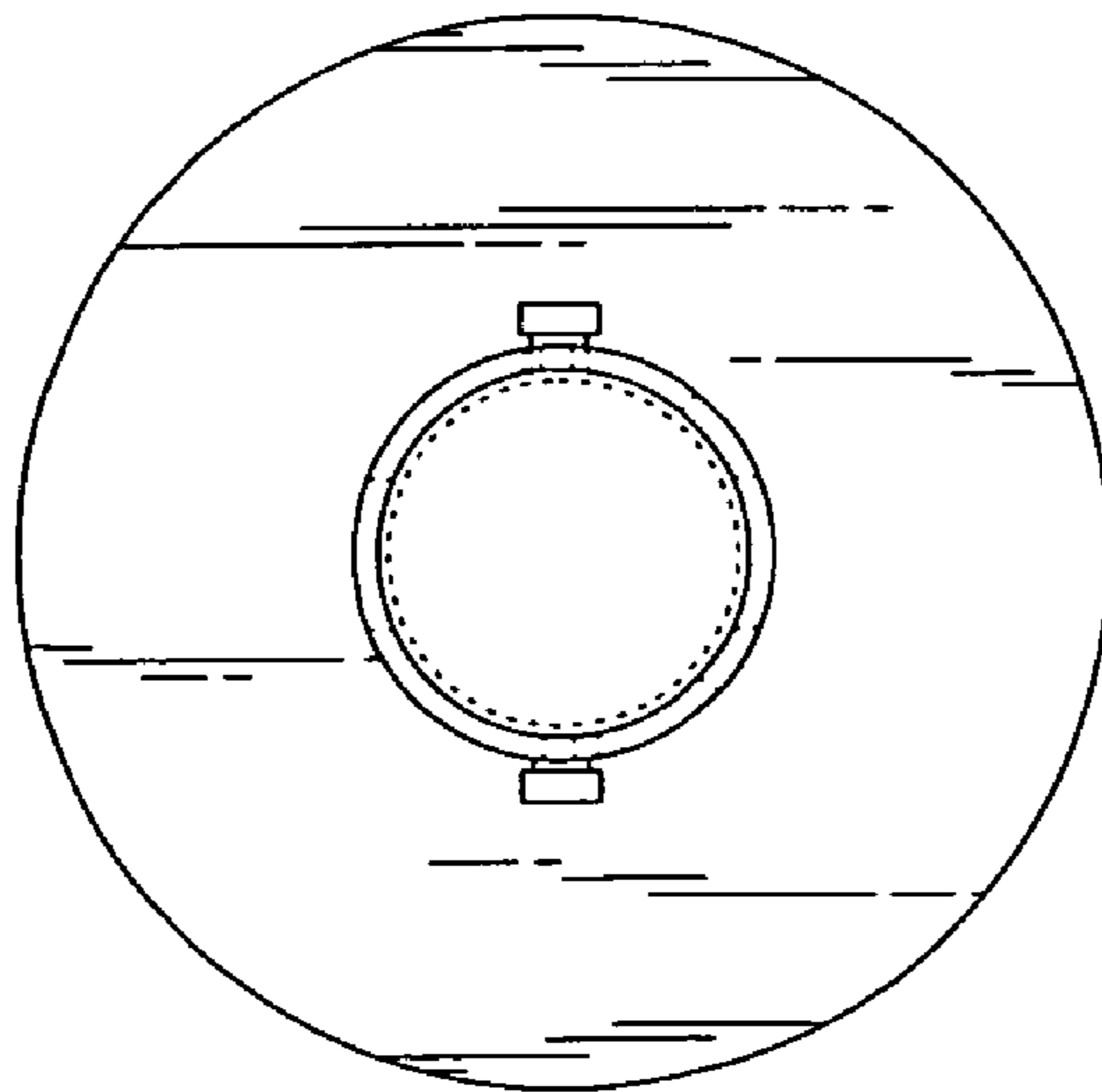


Fig. 2

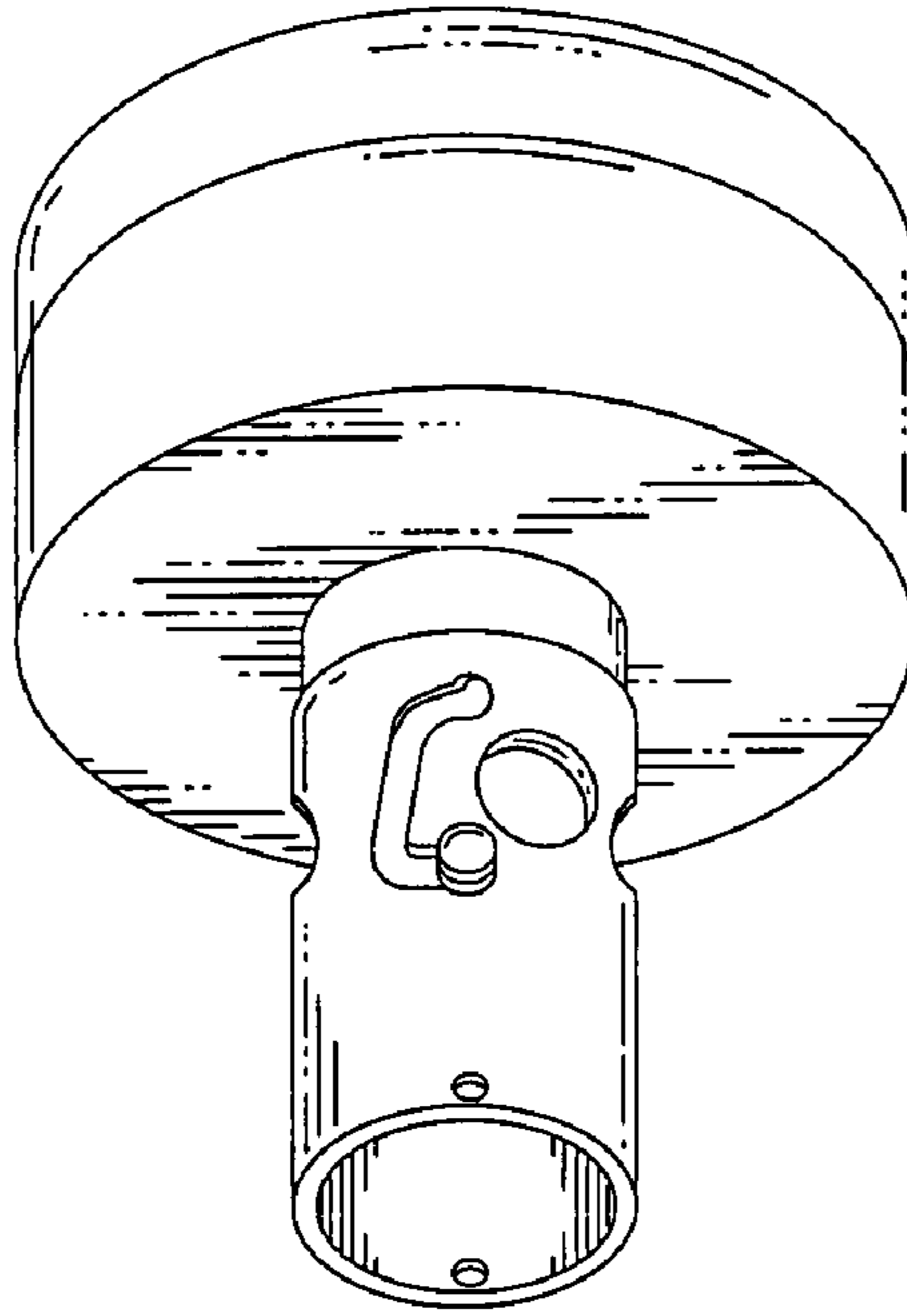


Fig. 3

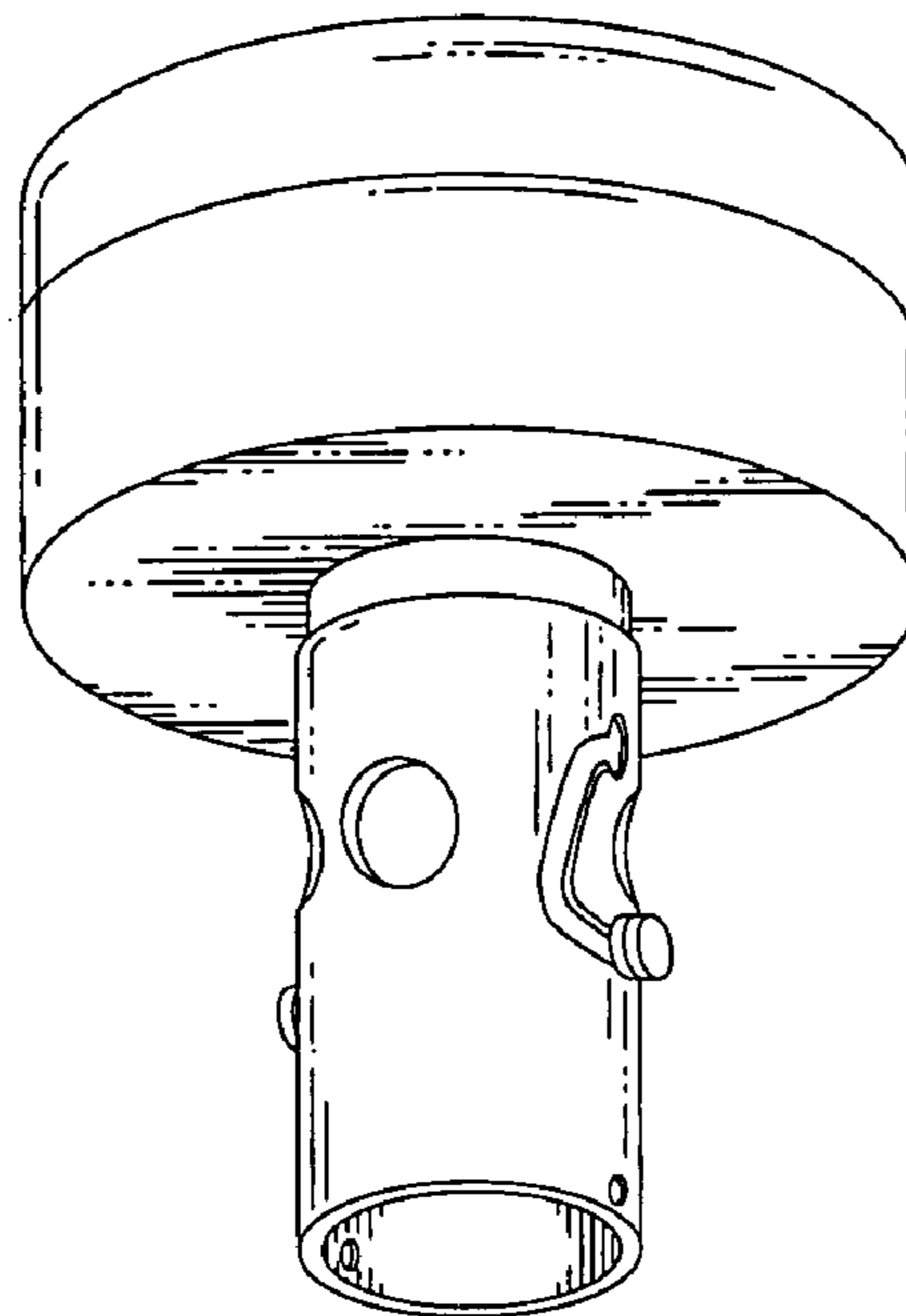


Fig. 4

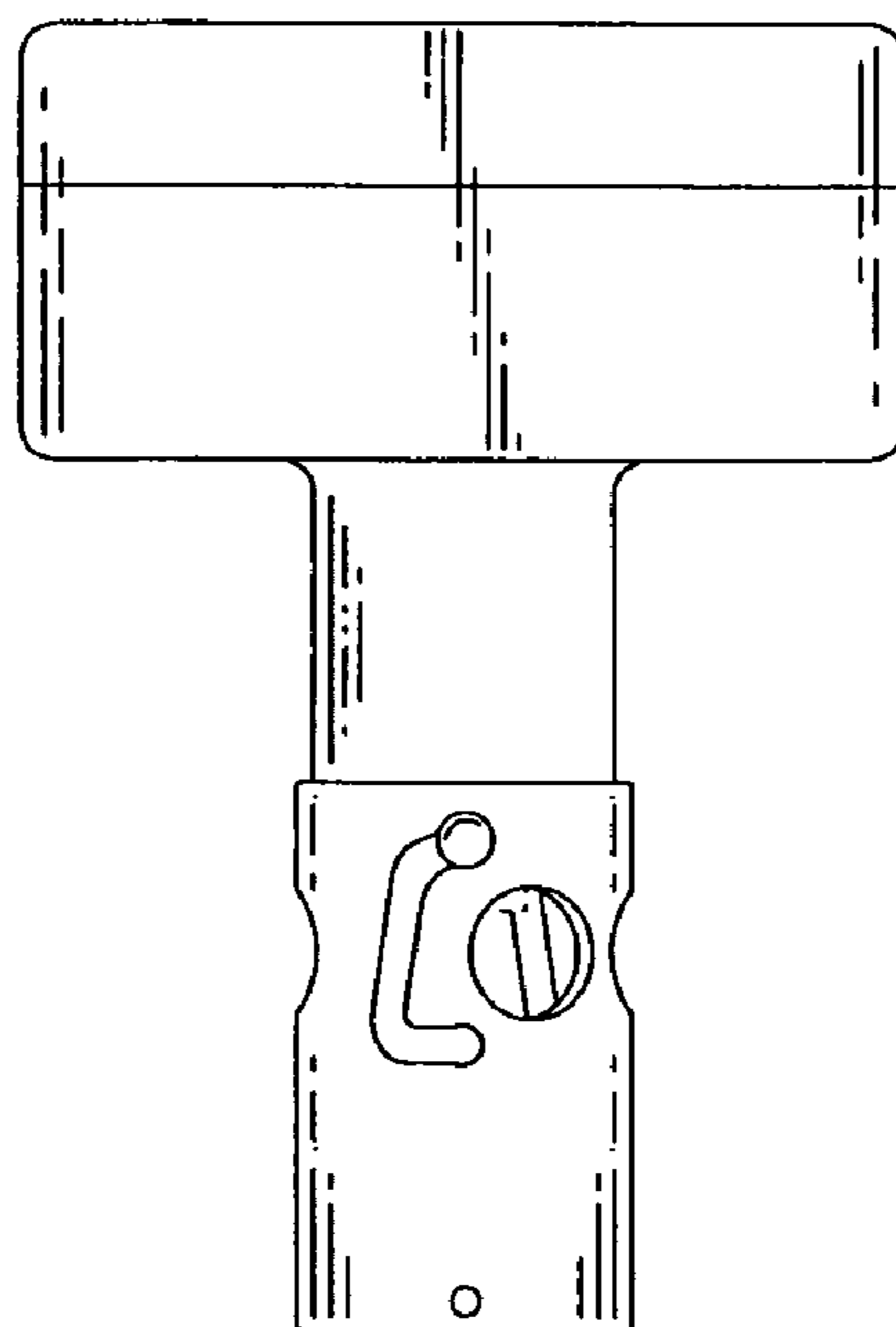


Fig. 5

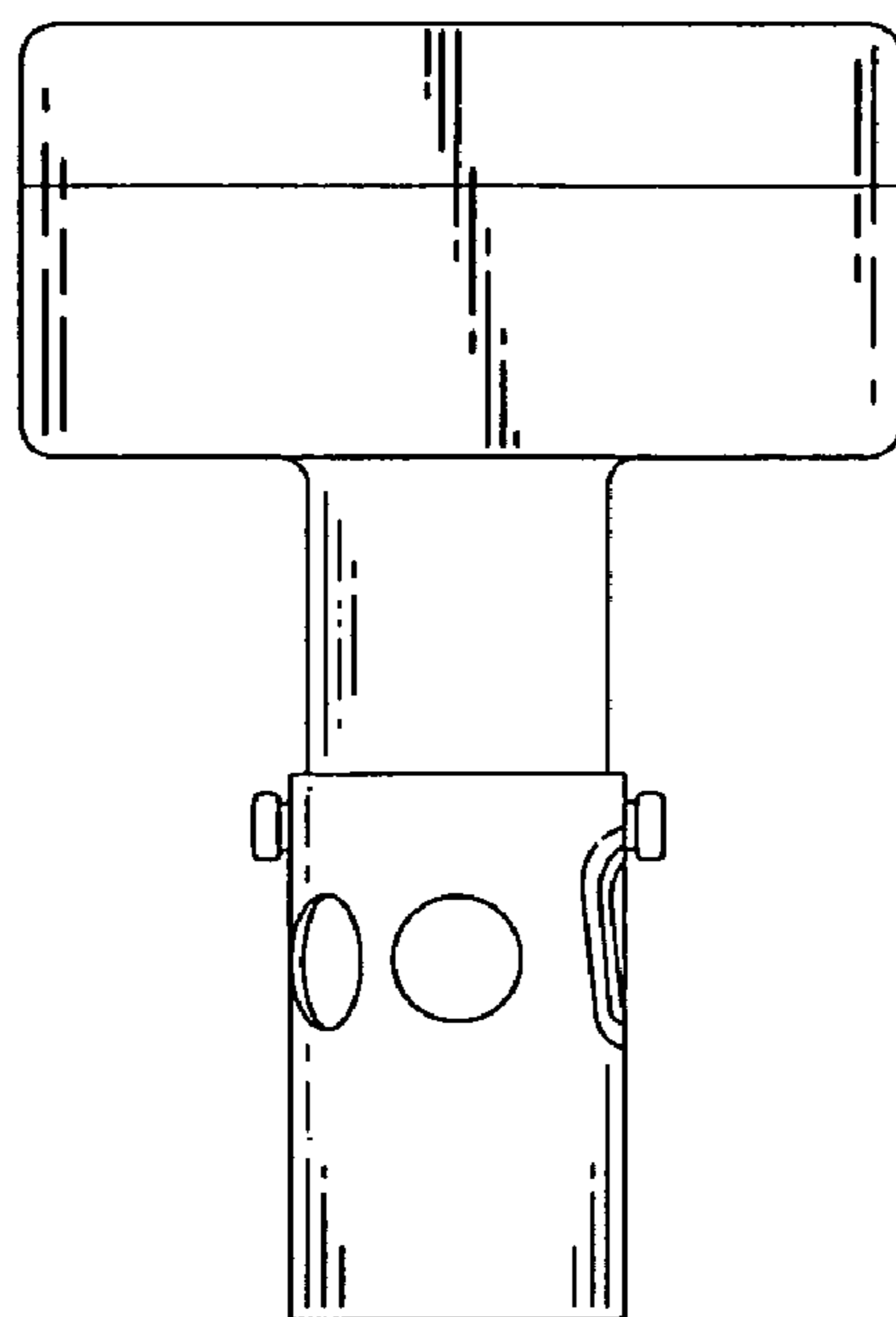


Fig. 6

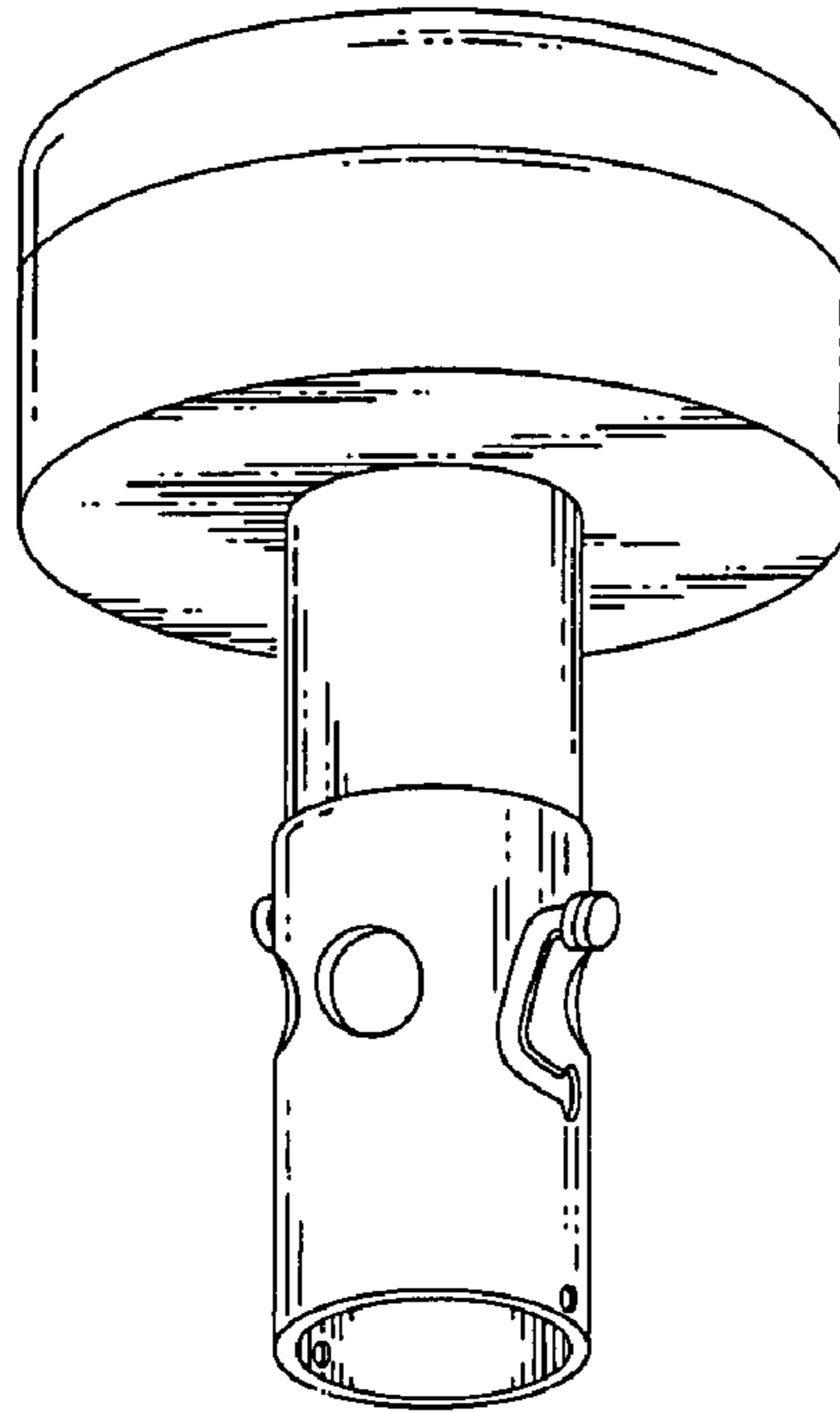


Fig. 7

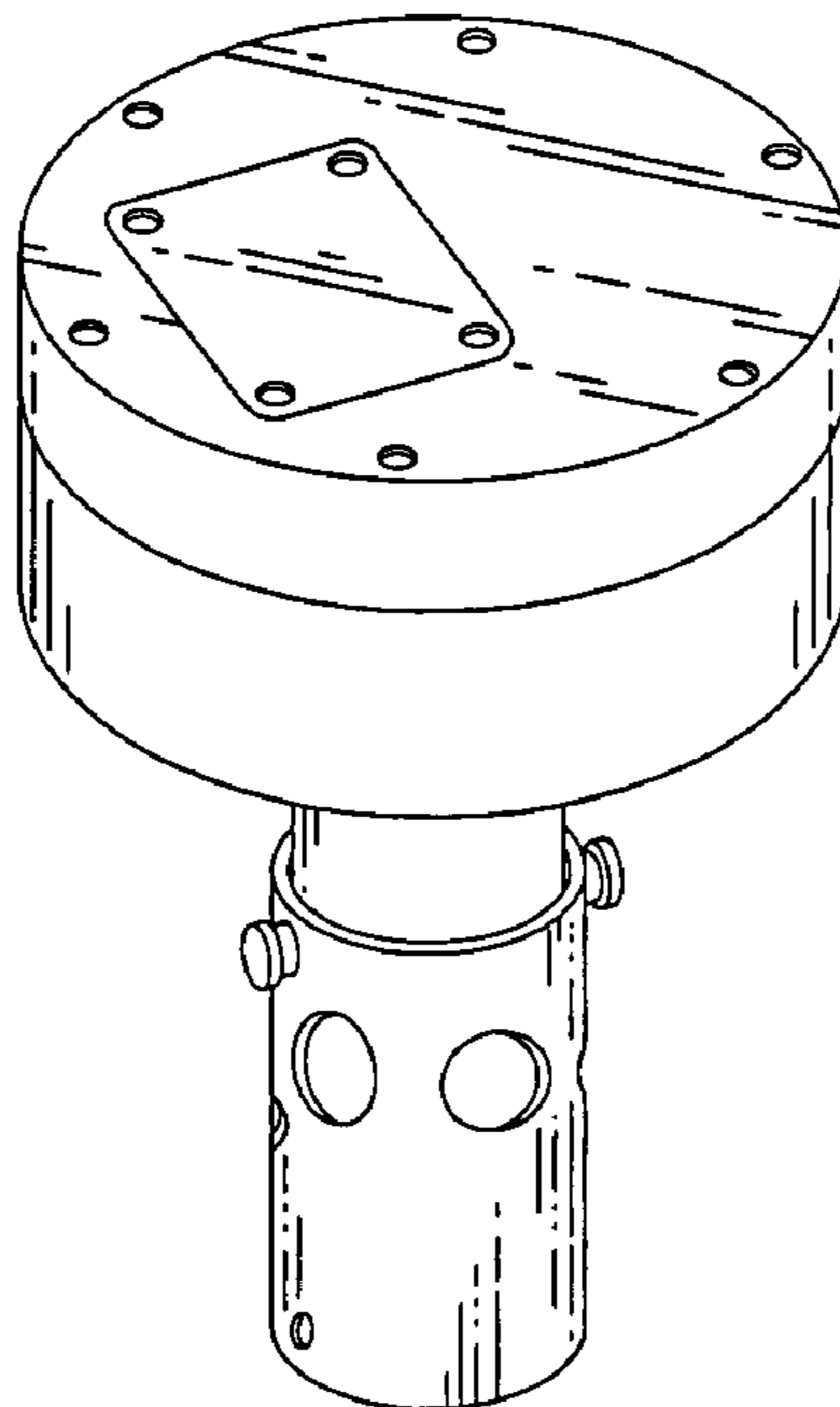


Fig. 8

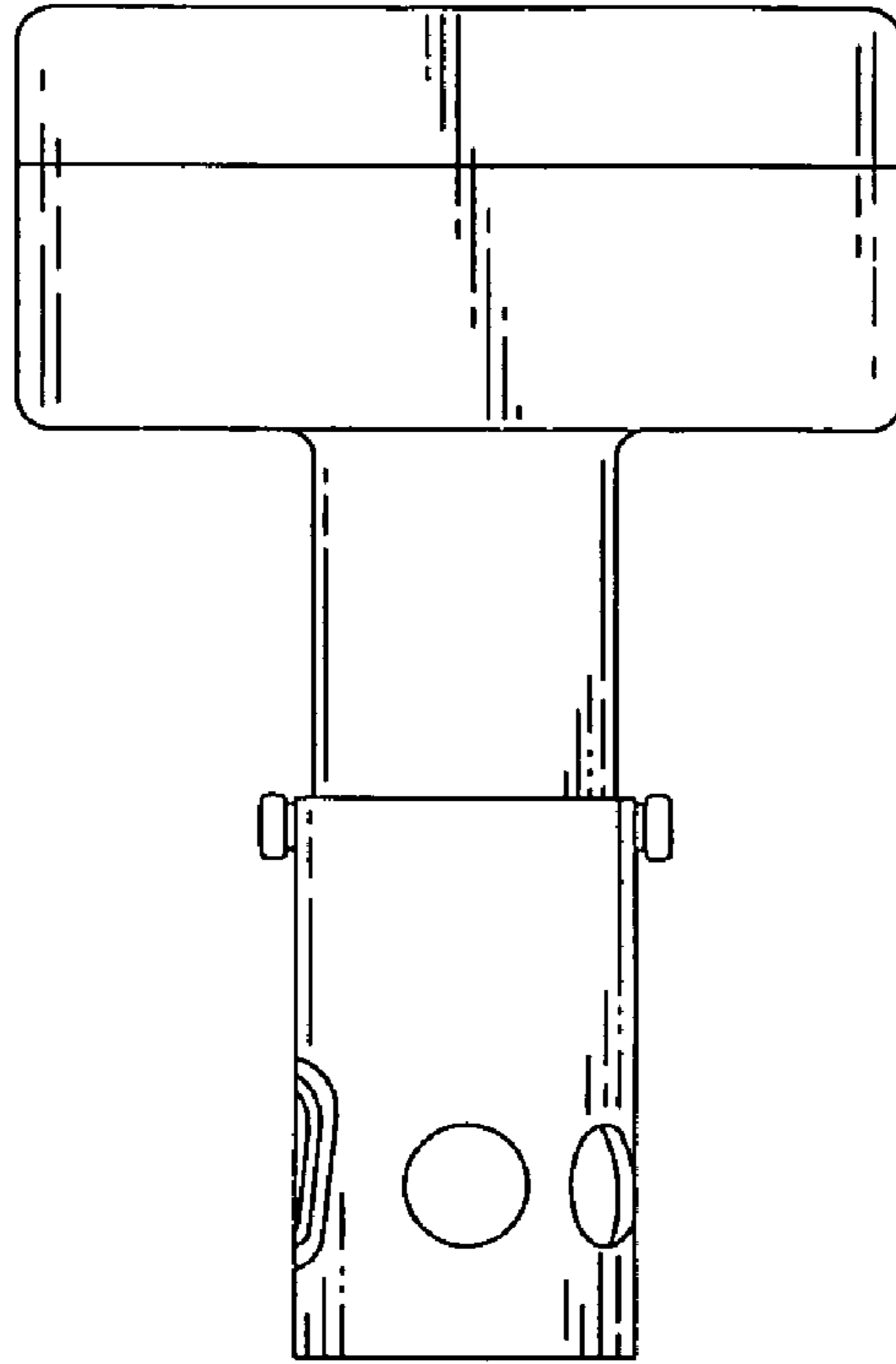


Fig. 9

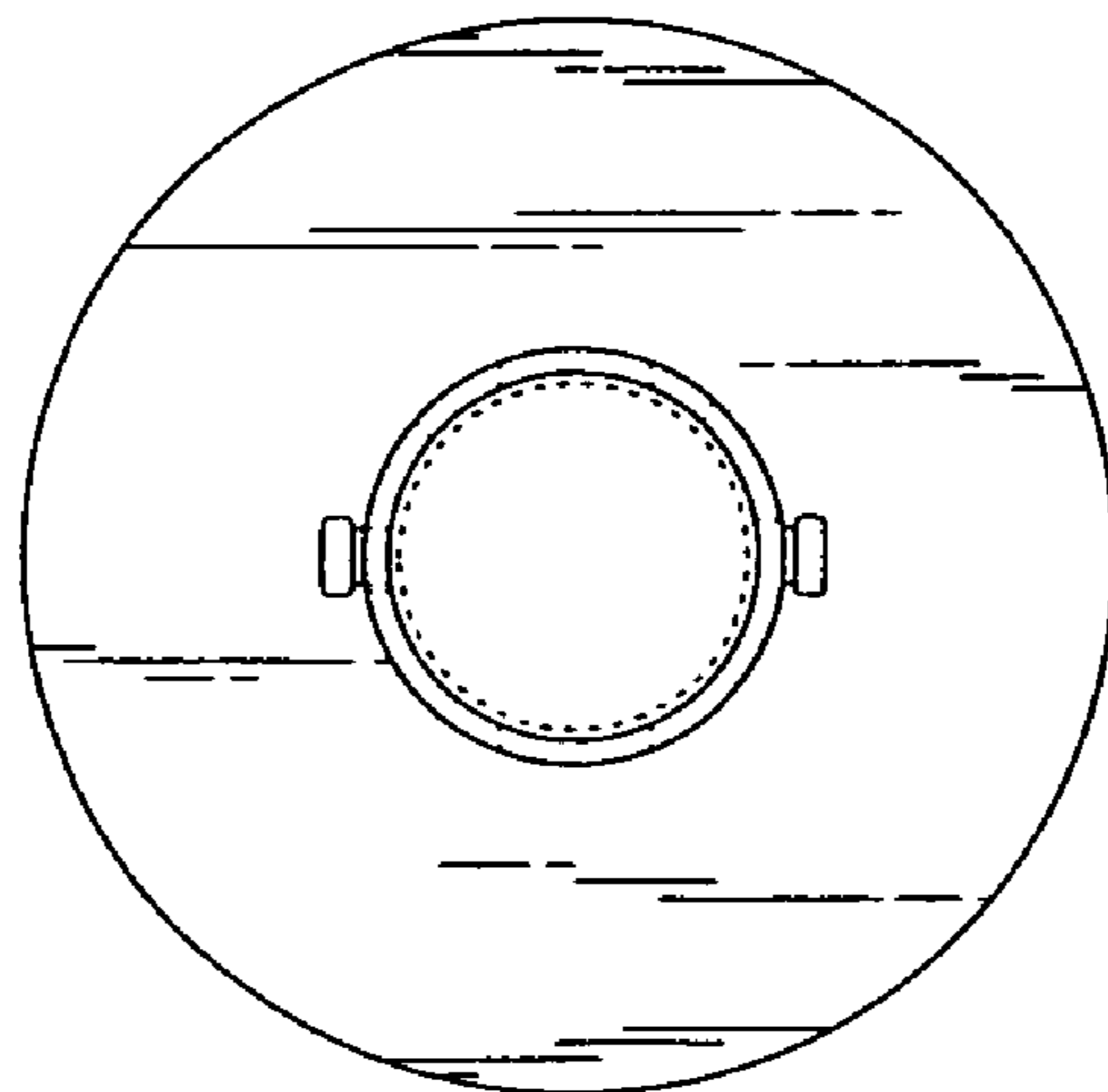


Fig. 10