



US00D596268S

(12) **United States Design Patent**
Stetson

(10) **Patent No.:** **US D596,268 S**

(45) **Date of Patent:** **** Jul. 14, 2009**

(54) **POOL FILL VALVE**

(76) Inventor: **Michael A. Stetson**, 32535 Branble Ct.,
Lake Elsinore, CA (US) 92532

(**) Term: **14 Years**

(21) Appl. No.: **29/310,724**

(22) Filed: **Sep. 5, 2008**

Related U.S. Application Data

(63) Continuation of application No. 29/285,155, filed on
Mar. 22, 2007, now Pat. No. Des. 587,341.

(51) **LOC (9) Cl.** **23-01**

(52) **U.S. Cl.** **D23/233**

(58) **Field of Classification Search** D23/233-237,
D23/244-249; 137/434, 447, 448-449; D10/46,
D10/96; D8/300-322, 373, 380, 382, 387,
D8/391, 393, 397, DIG. 10

See application file for complete search history.

(56) **References Cited**

U.S. PATENT DOCUMENTS

2,827,072	A *	3/1958	Lund et al.	137/414
D208,185	S *	7/1967	McLarty	D23/236
4,640,307	A *	2/1987	Roberts	137/448
4,646,780	A *	3/1987	Spooner	137/426
4,796,650	A *	1/1989	Hwang	137/443
D346,431	S *	4/1994	Alberico	D23/236
D368,131	S	3/1996	Stone, III	
D436,876	S *	1/2001	Barger et al.	D10/96
D439,313	S *	3/2001	Wey et al.	D23/236
D457,600	S	5/2002	Stone, III	
D479,578	S *	9/2003	Witzig	D23/236
D513,787	S *	1/2006	Tickle et al.	D23/236
D538,888	S *	3/2007	Moura De Oliveira	D23/233
D559,358	S *	1/2008	Moura de Oliveira	D23/236
D566,597	S *	4/2008	Schneor	D10/103
D590,704	S *	4/2009	Brunsteter	D8/387

* cited by examiner

Primary Examiner—Cathron C. Brooks

Assistant Examiner—Maurice Stevens

(74) *Attorney, Agent, or Firm*—Stetina Brunda Garred &
Brucker

(57) **CLAIM**

The ornamental design for a pool fill valve, as shown and
described.

DESCRIPTION

FIG. 1 is a perspective view of the pool fill valve of the present
invention showing my new design with the dotted lines
depicting solely environmental structure and forming no part
of the claimed design;

FIG. 2 is a top plan view thereof with the dotted lines depict-
ing solely environmental structure and forming no part of the
claimed design;

FIG. 3 is a front elevational view thereof with the dotted lines
depicting solely environmental structure and forming no part
of the claimed design;

FIG. 4 is a bottom plan view thereof with the dotted lines
depicting solely environmental structure and forming no part
of the claimed design;

FIG. 5 is a rear elevational view thereof with the dotted lines
depicting solely environmental structure and forming no part
of the claimed design;

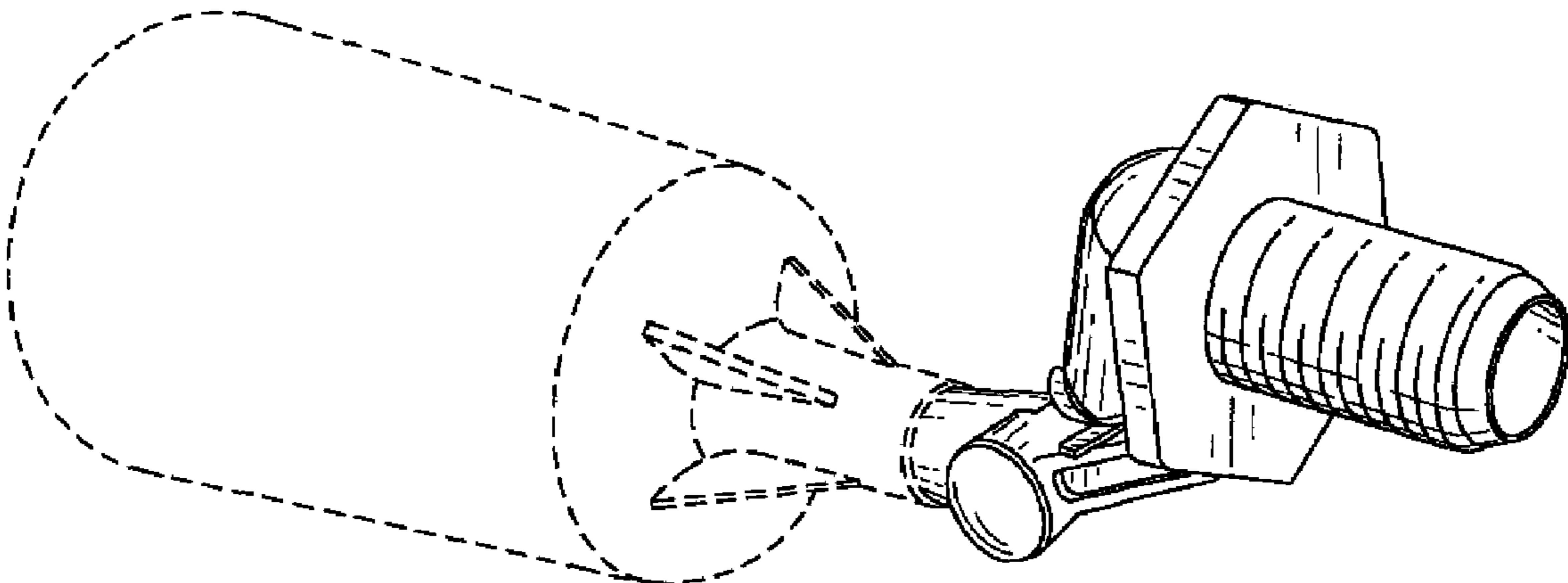
FIG. 6 is a left end view thereof with the dotted lines depicting
solely environmental structure and forming no part of the
claimed design;

FIG. 7 is a right end view thereof with the dotted lines depict-
ing solely environmental structure and forming no part of the
claimed design; and,

FIG. 8 is a front elevational view thereof with the dotted lines
depicting solely environmental structure and forming no part
of the claimed design.

The broken line showing of unclaimed portions form no part
of the claimed design.

1 Claim, 2 Drawing Sheets



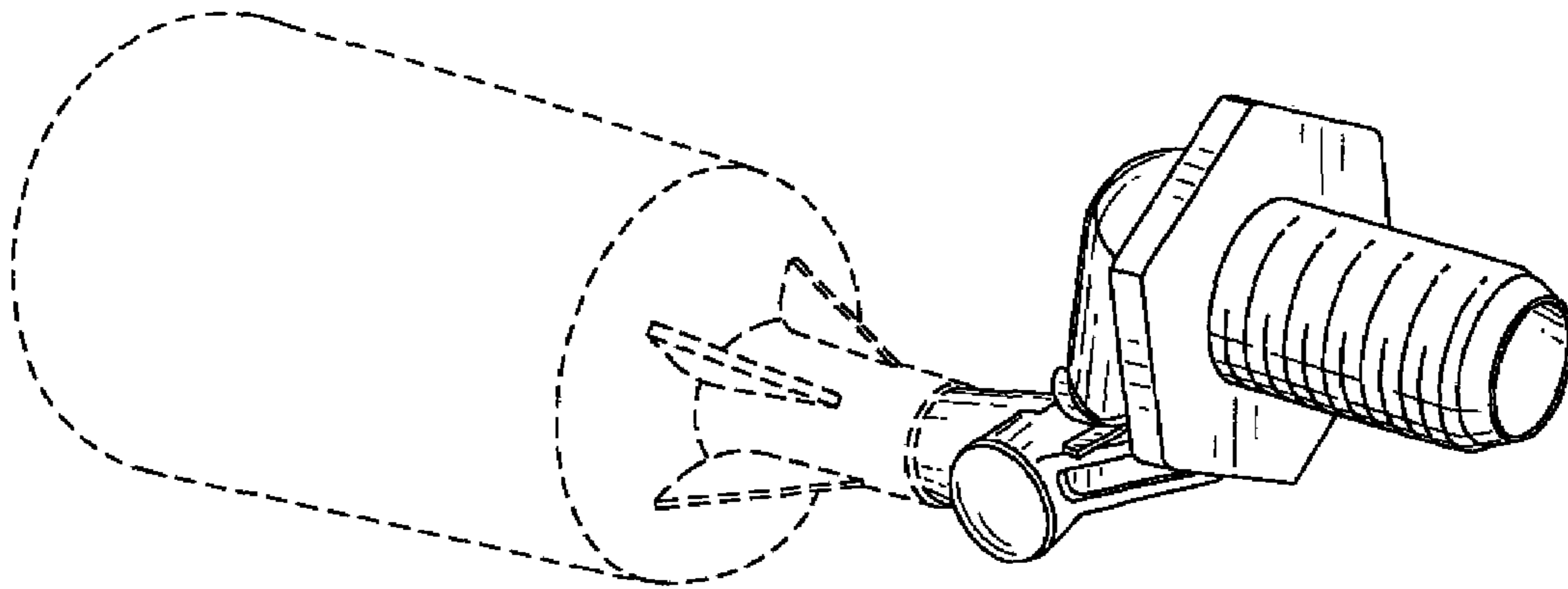


Fig. 1

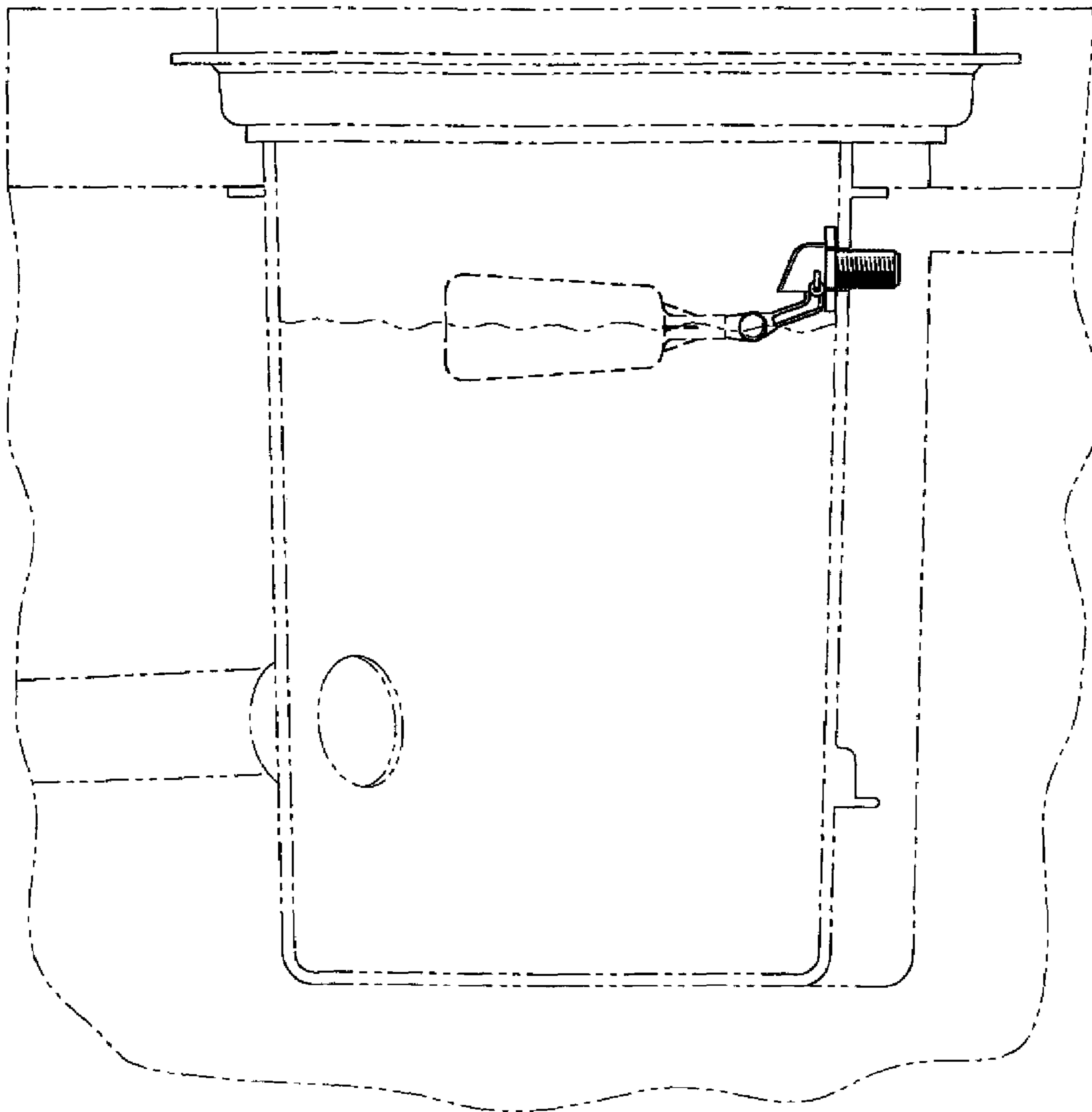


Fig. 8

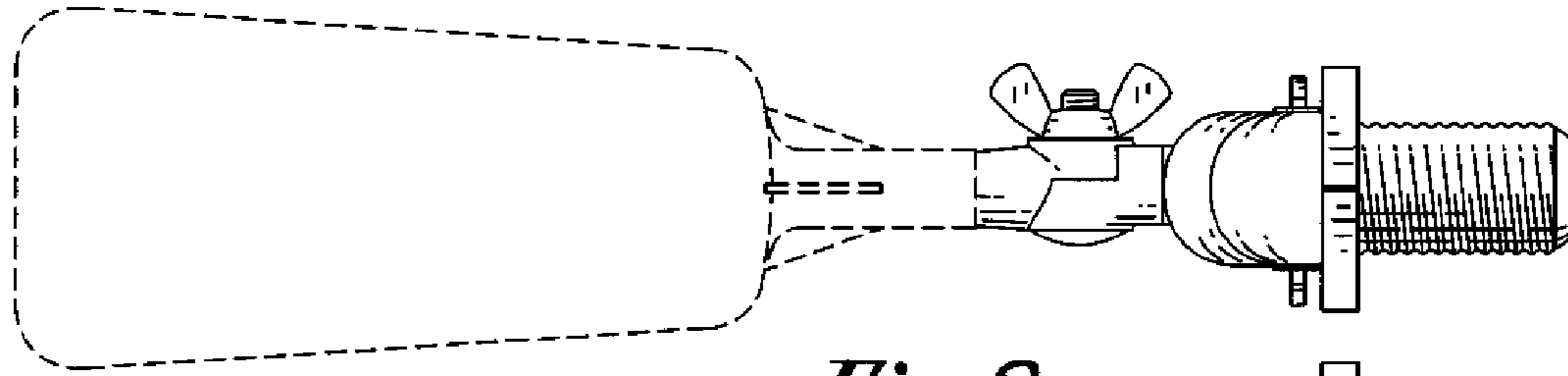


Fig. 2

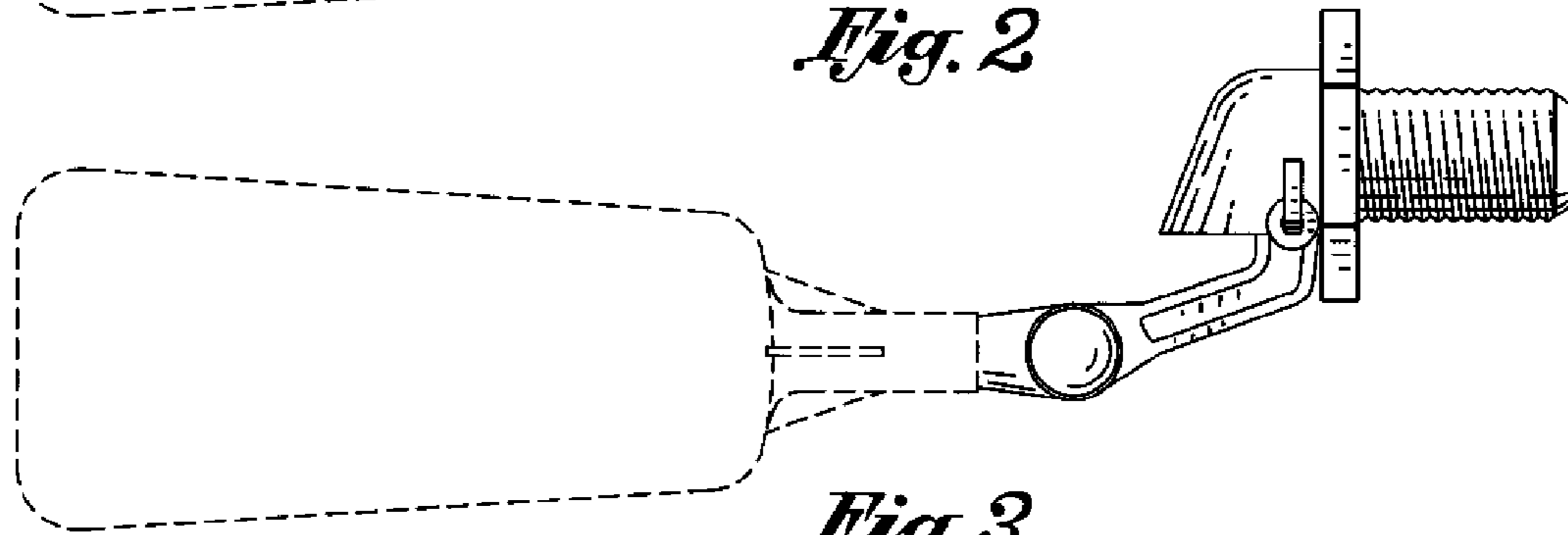


Fig. 3

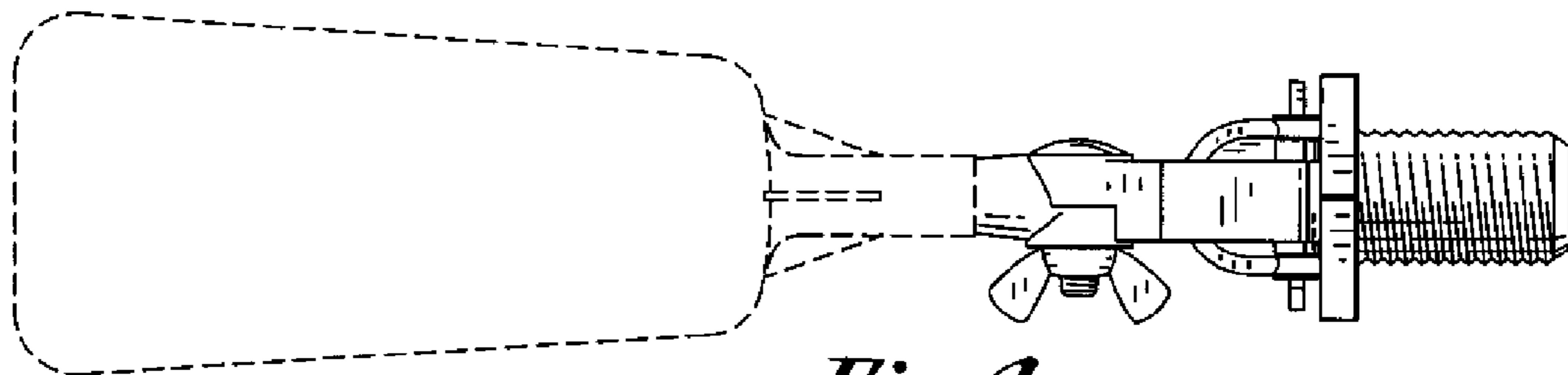


Fig. 4

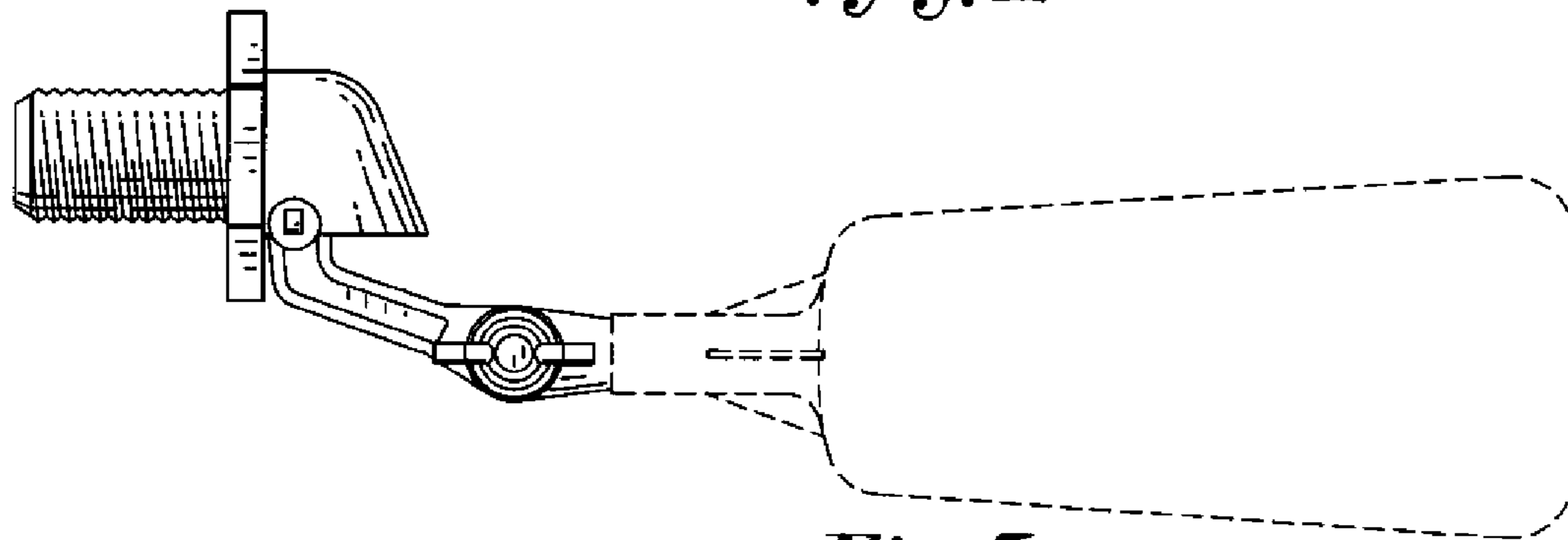


Fig. 5

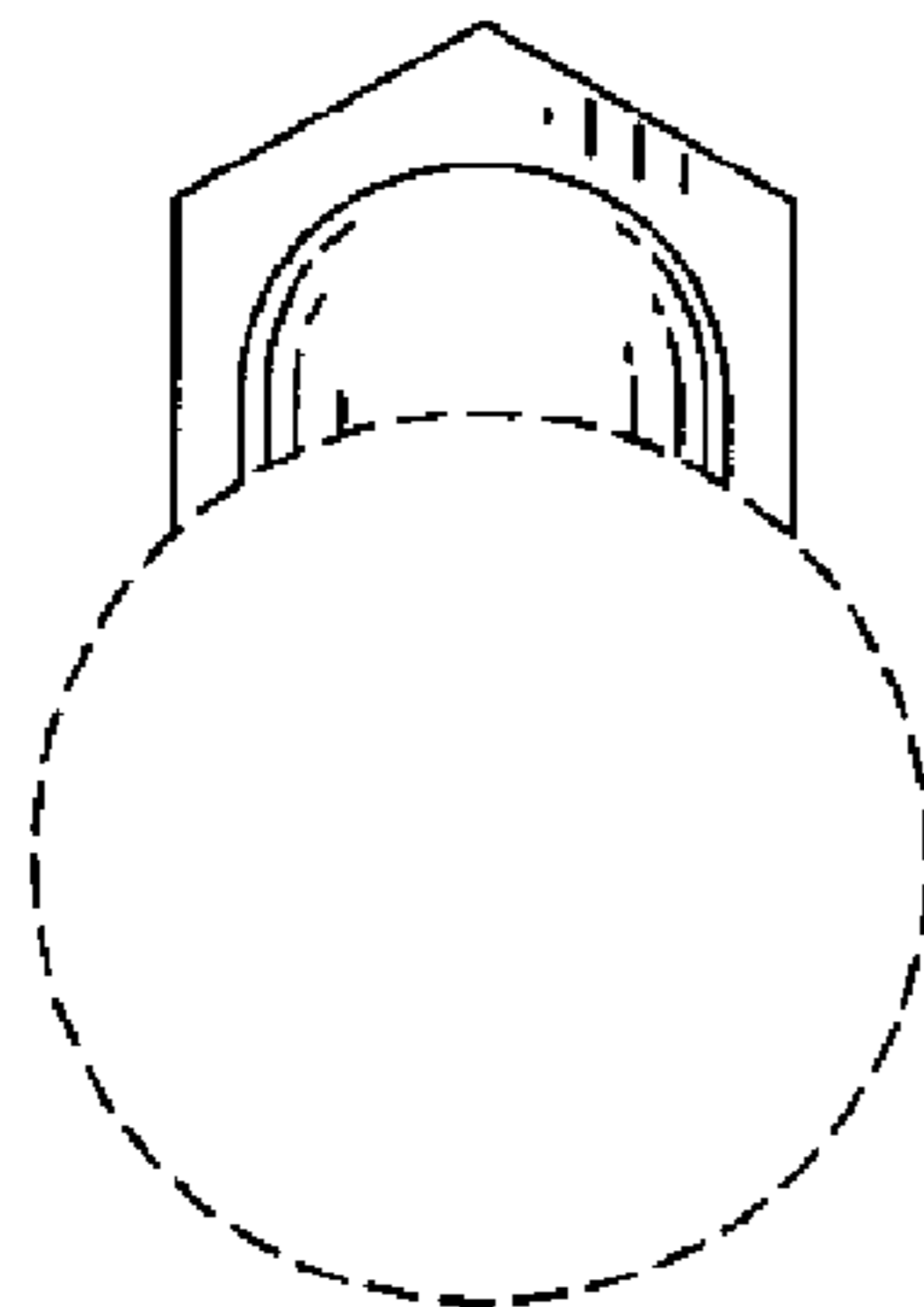


Fig. 6

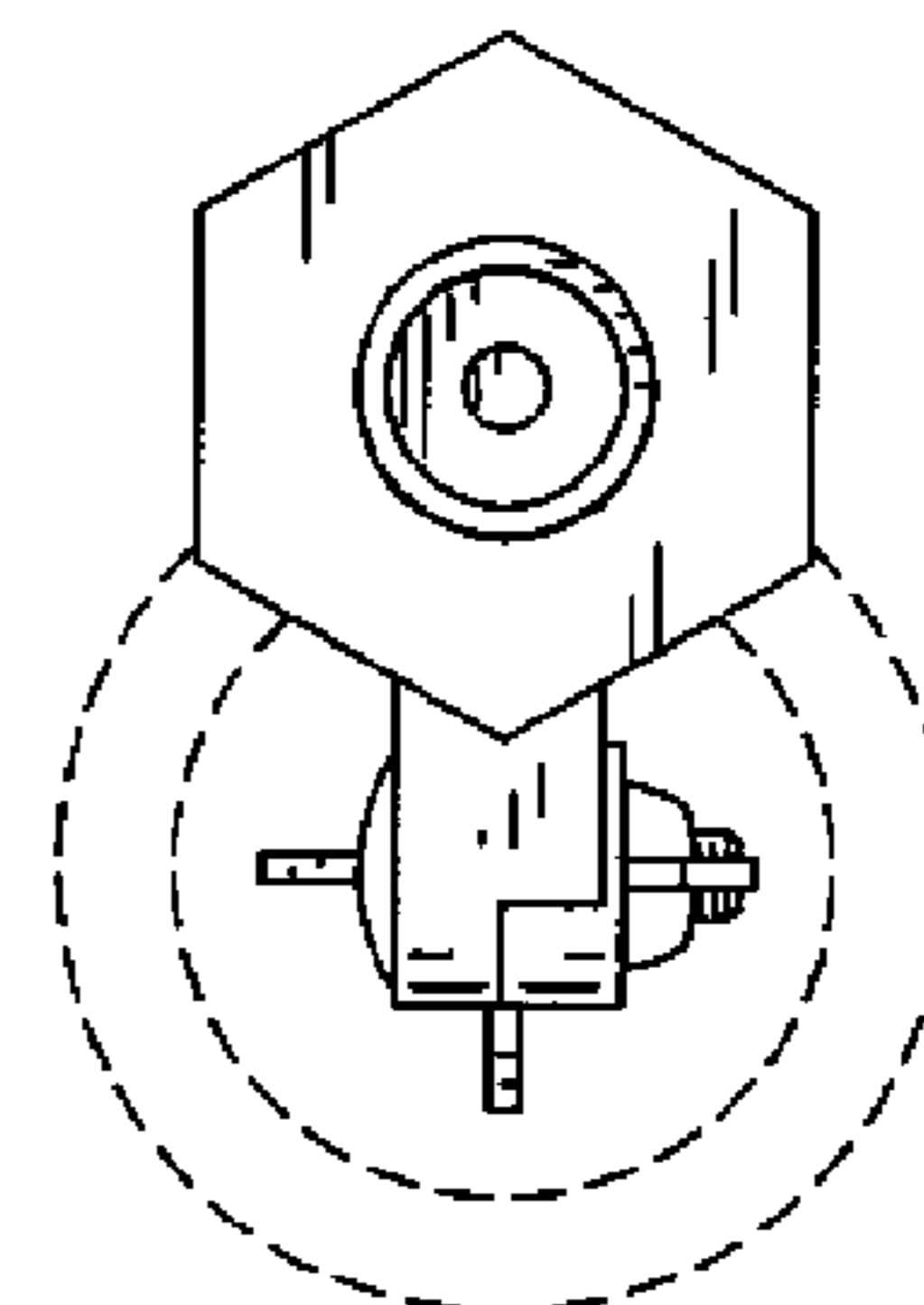


Fig. 7