

US00D596267S

(12) **United States Design Patent**
Colgren et al.

(10) **Patent No.:** **US D596,267 S**
(45) **Date of Patent:** **** Jul. 14, 2009**

(54) **MODULAR UNMANNED AIR-VEHICLE**

(76) Inventors: **Richard D. Colgren**, 2923 East Ave.,
R-11, Palmdale, CA (US) 93550; **Lance**
C. Holly, N-102 Regency Pl., Lawrence,
KS (US) 66049; **William R. Donovan**,
3220 W. 24th Ter., Lawrence, KS (US)
66047; **Luke A. Thompson**, 3333 164th
St. SW., Apt. 1012, Lynnwood, WA (US)
98037

(**) Term: **14 Years**

(21) Appl. No.: **29/246,547**

(22) Filed: **Apr. 21, 2006**

(51) **LOC (9) Cl.** **23-01**

(52) **U.S. Cl.** **D23/233**

(58) **Field of Classification Search** D12/319,
D12/16.1; 244/117 R, 118.2, 119, 120, 131,
244/2, 1 R; 446/30-69

See application file for complete search history.

(56) **References Cited**

U.S. PATENT DOCUMENTS

D132,383 S * 5/1942 Reedy D12/16.1
5,245,927 A * 9/1993 Ranes 102/378
5,419,513 A * 5/1995 Flemming et al. 244/12.2
5,779,190 A * 7/1998 Rambo et al. 244/54

5,890,441 A * 4/1999 Swinson et al. 244/12.3
5,906,336 A * 5/1999 Eckstein 244/135 A
6,056,237 A * 5/2000 Woodland 244/3.15
6,742,741 B1 * 6/2004 Rivoli 244/12.1
6,868,314 B1 * 3/2005 Frink 701/3
D508,013 S * 8/2005 Rihn et al. D12/319
7,059,566 B2 * 6/2006 Byers et al. 244/119
7,237,750 B2 * 7/2007 Chiu et al. 244/119
7,306,187 B2 * 12/2007 Lavan 244/123.11

* cited by examiner

Primary Examiner—Cathron C. Brooks

Assistant Examiner—Maurice Stevens

(57) **CLAIM**

The ornamental design for a modular unmanned air-vehicle,
as shown and described.

DESCRIPTION

FIG. 1 is a top, front isometric view of a modular unmanned
air-vehicle;

FIG. 2 is a front elevational view thereof;

FIG. 3 is a right side elevational view thereof; and,

FIG. 4 is a top plan view thereof.

The portions shown in broken lines are for illustrative pur-
poses only and form no part of the claimed design.

1 Claim, 4 Drawing Sheets

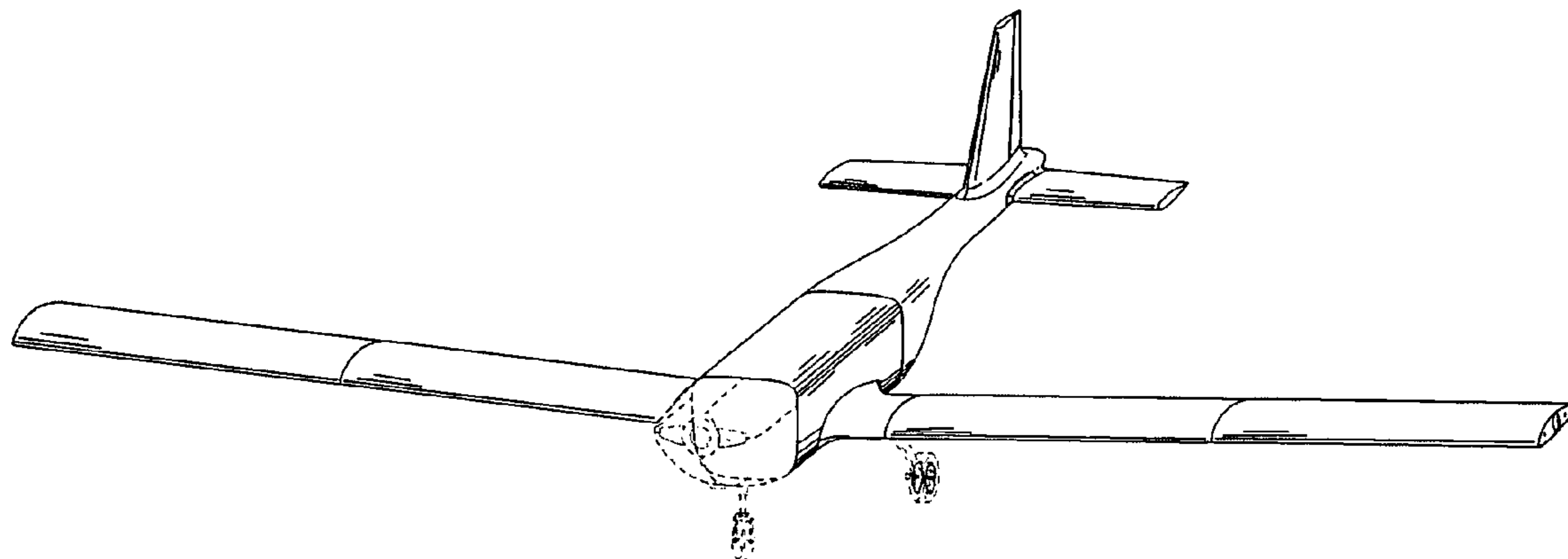


Fig. 1

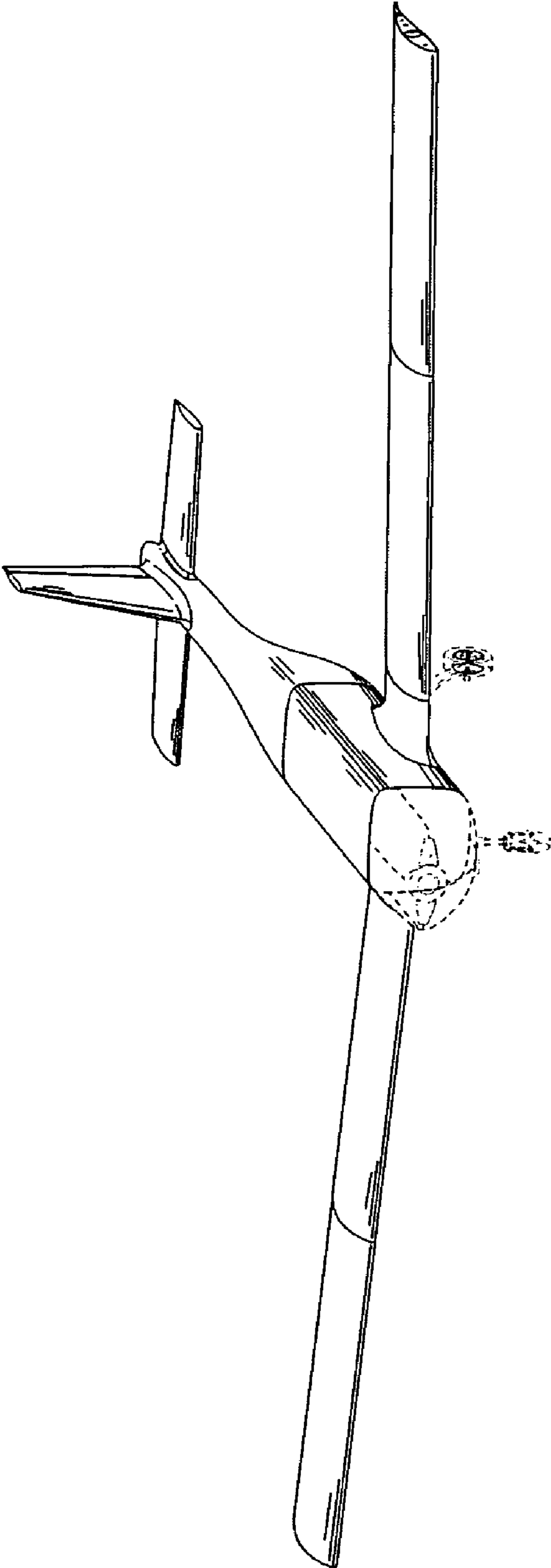


Fig. 2

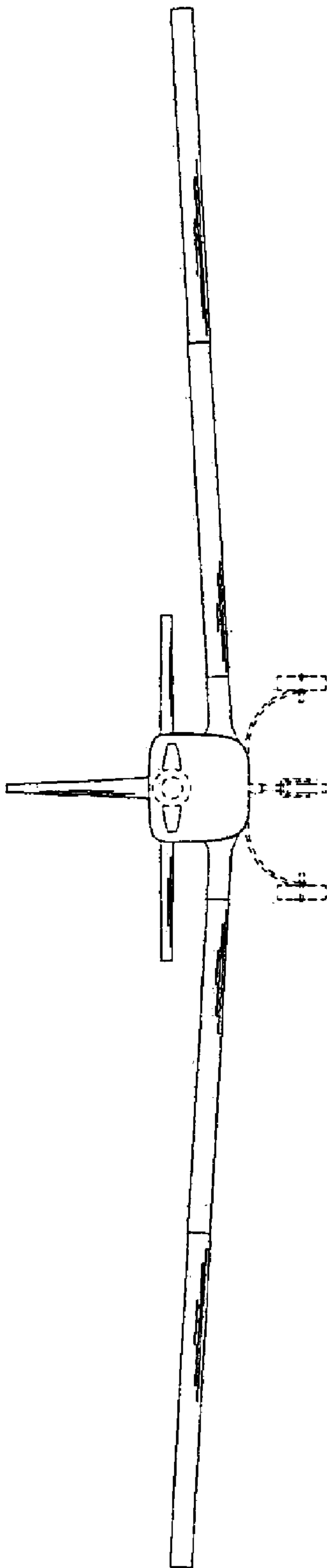


Fig. 3

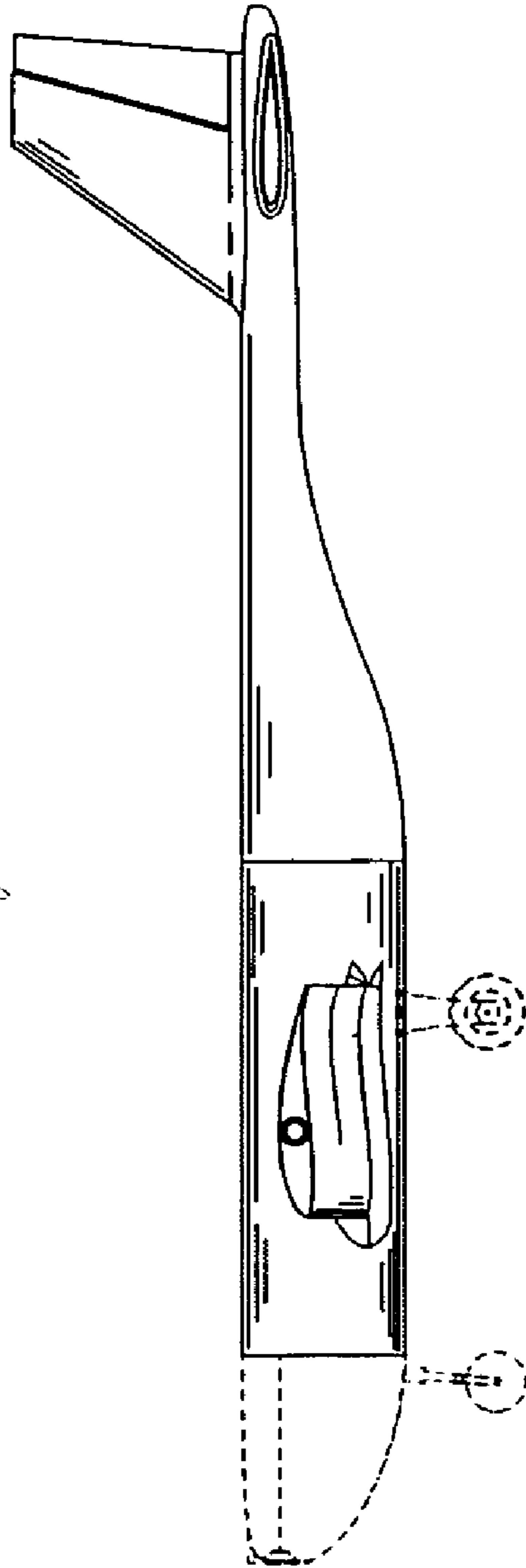


Fig. 4

