



US00D596266S

(12) **United States Design Patent**
Tatum

(10) **Patent No.:** **US D596,266 S**
(45) **Date of Patent:** **** Jul. 14, 2009**

(54) **PORTABLE SPA FILTER HOUSING**

Primary Examiner—Robin V Webster
(74) *Attorney, Agent, or Firm*—Smith & Hopen, P.A.

(75) **Inventor:** **Bradford Thomas Tatum**, Clearwater,
FL (US)

(57) **CLAIM**

(73) **Assignee:** **2033875 Ontario, Inc.**, Grimsby Ontario
(CA)

I claim the ornamental design for a portable spa filter housing,
as shown and described.

(**) **Term:** **14 Years**

DESCRIPTION

(21) **Appl. No.:** **29/293,317**

FIG. 1 is a perspective view of a portable spa filter housing of
the invention, showing the filter housing residing within a
portable spa;

(22) **Filed:** **Nov. 16, 2007**

(51) **LOC (9) Cl.** **23-01**

FIG. 2 is a perspective view of the portable spa filter housing;

(52) **U.S. Cl.** **D23/209**

FIG. 3 is a front view of the portable spa filter housing;

(58) **Field of Classification Search** D23/207,
D23/209, 210; D24/201; 210/167.11, 167.12,
210/167.19

FIG. 4 is a top view of the portable spa filter housing;

FIG. 5 is a side view of the portable spa filter housing;

See application file for complete search history.

FIG. 6 is a rear view of the portable spa filter housing;

(56) **References Cited**

FIG. 7 is a bottom view of the portable spa filter housing; and,

U.S. PATENT DOCUMENTS

FIG. 8 is a cross-sectional view of the portable spa filter
housing taken along line 8—8 of FIG. 2.

4,533,476	A *	8/1985	Watkins	210/805
4,552,658	A *	11/1985	Adcock et al.	4/541.3
5,236,581	A *	8/1993	Perry	210/130
6,471,856	B1 *	10/2002	Keith	210/167.12

The broken line showing is included for the purpose of illus-
trating and forms no part of the claimed design.

* cited by examiner

1 Claim, 6 Drawing Sheets

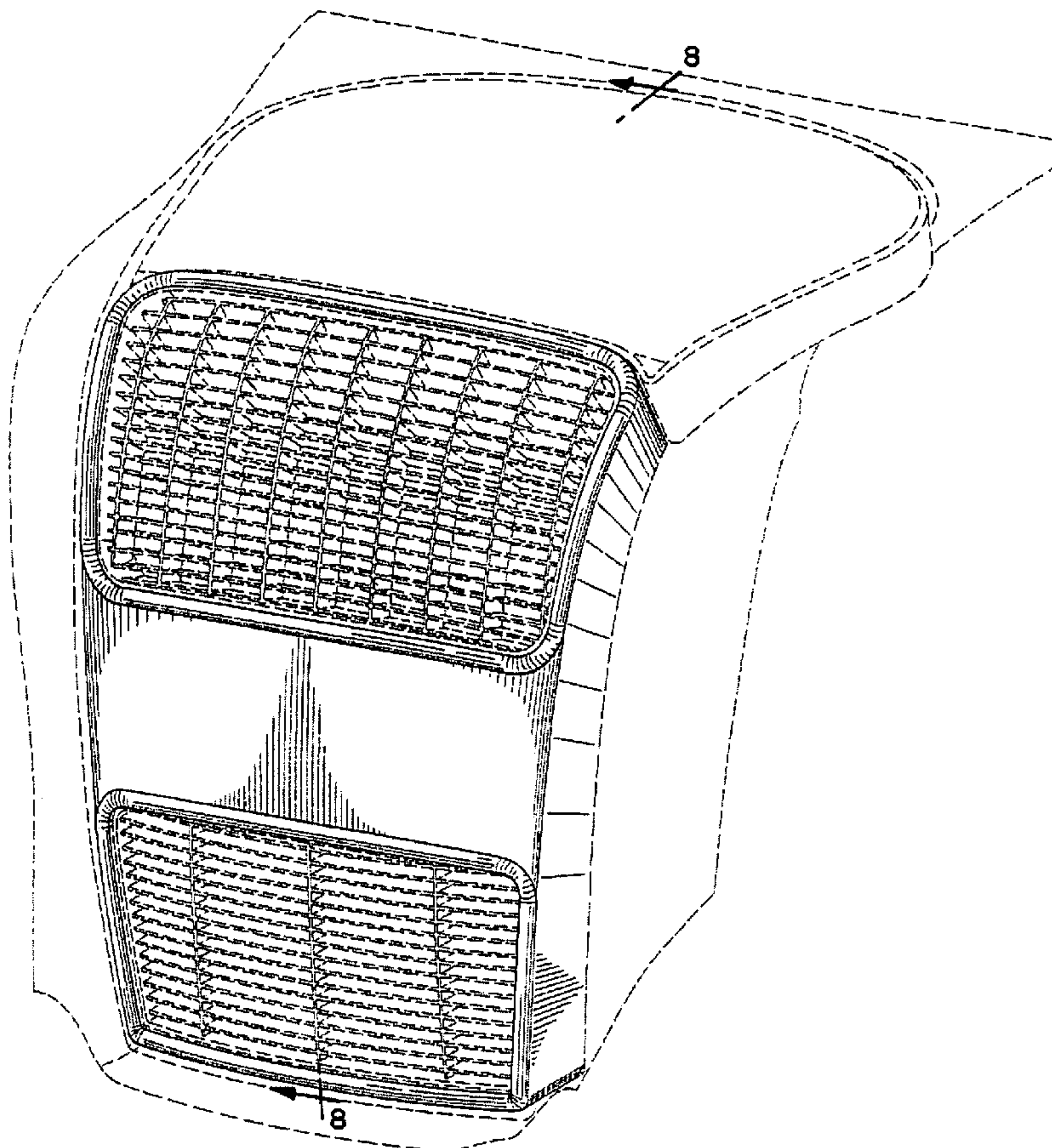


FIG. 1

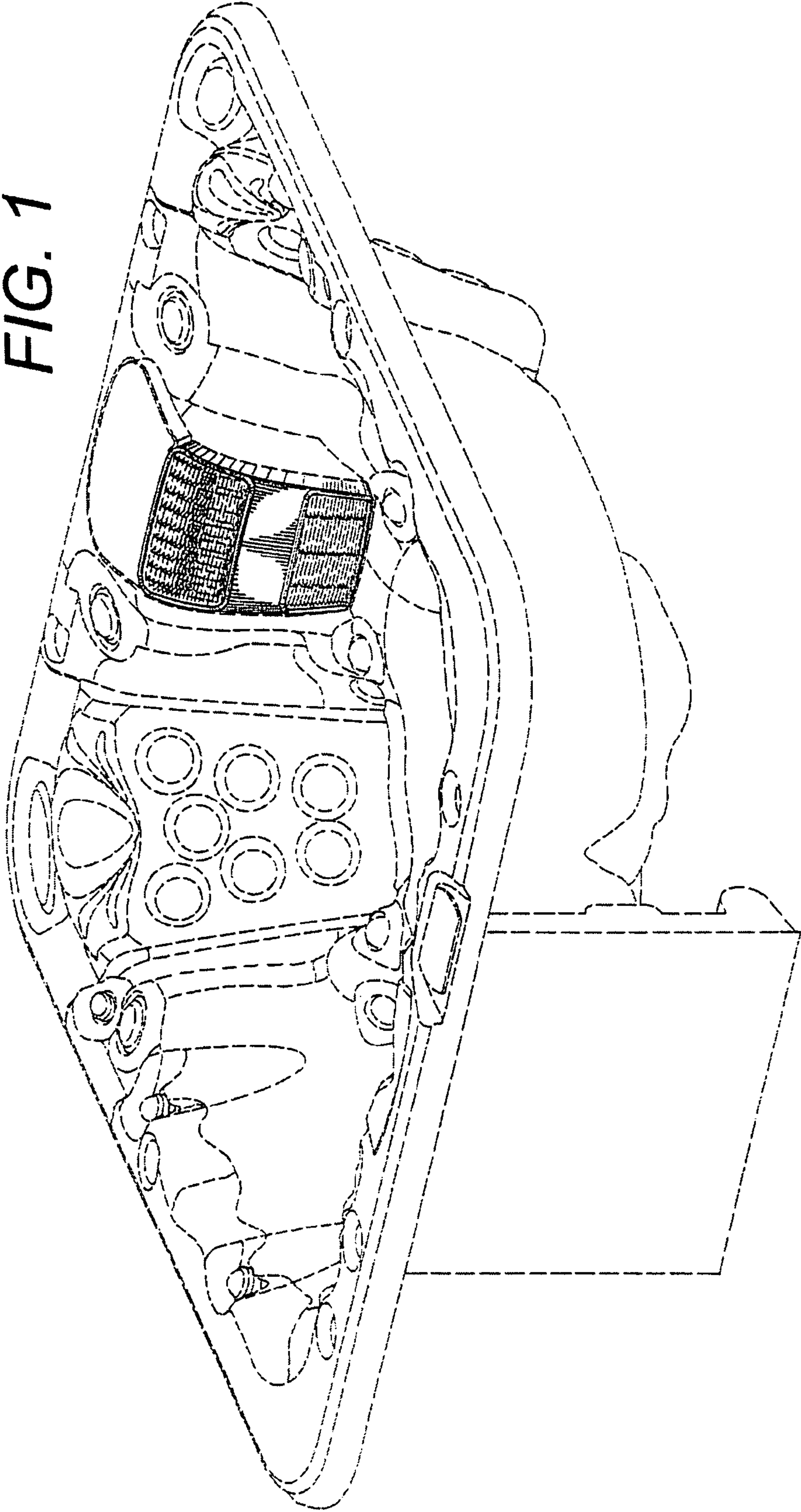


FIG. 2

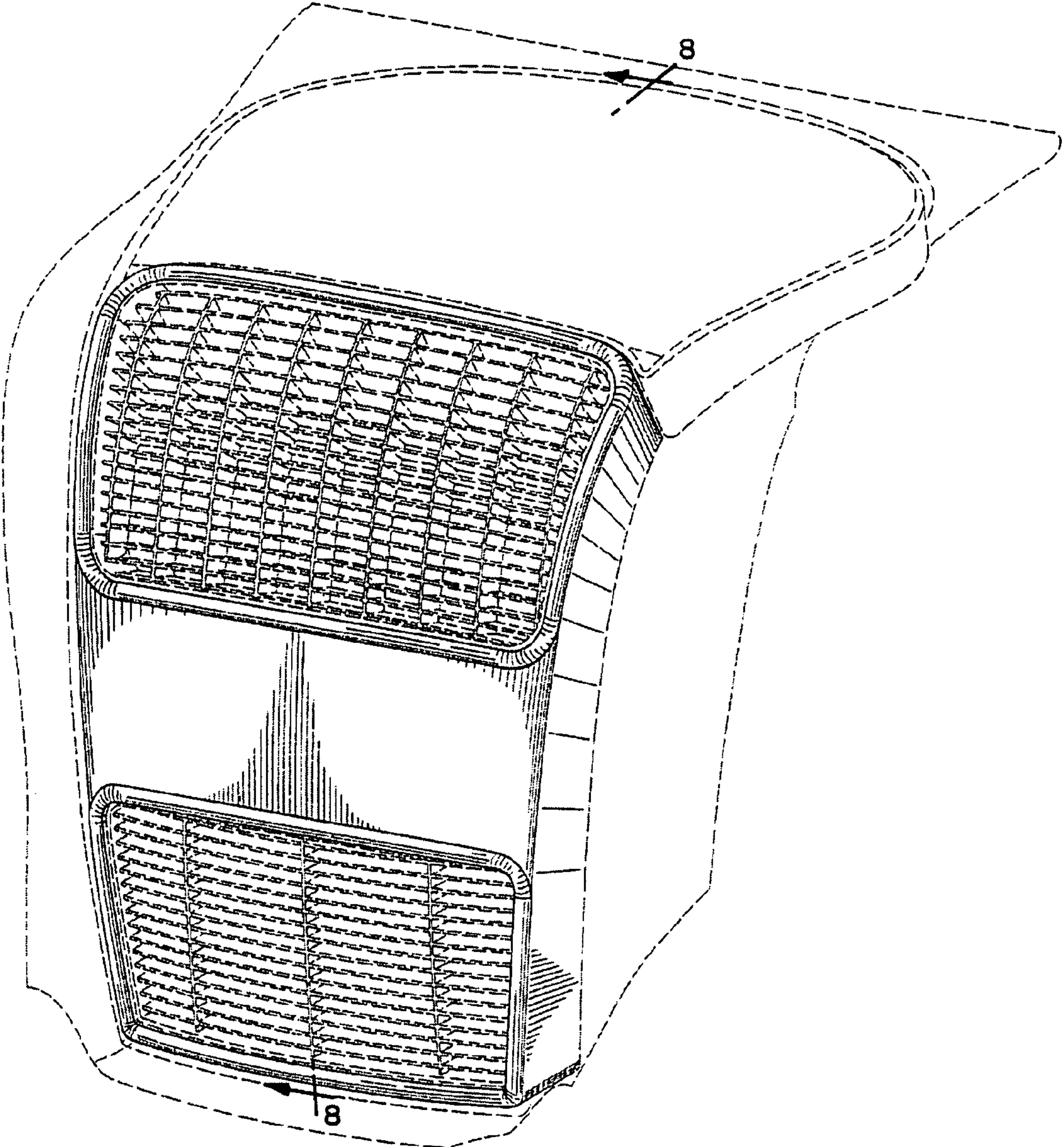


FIG. 3

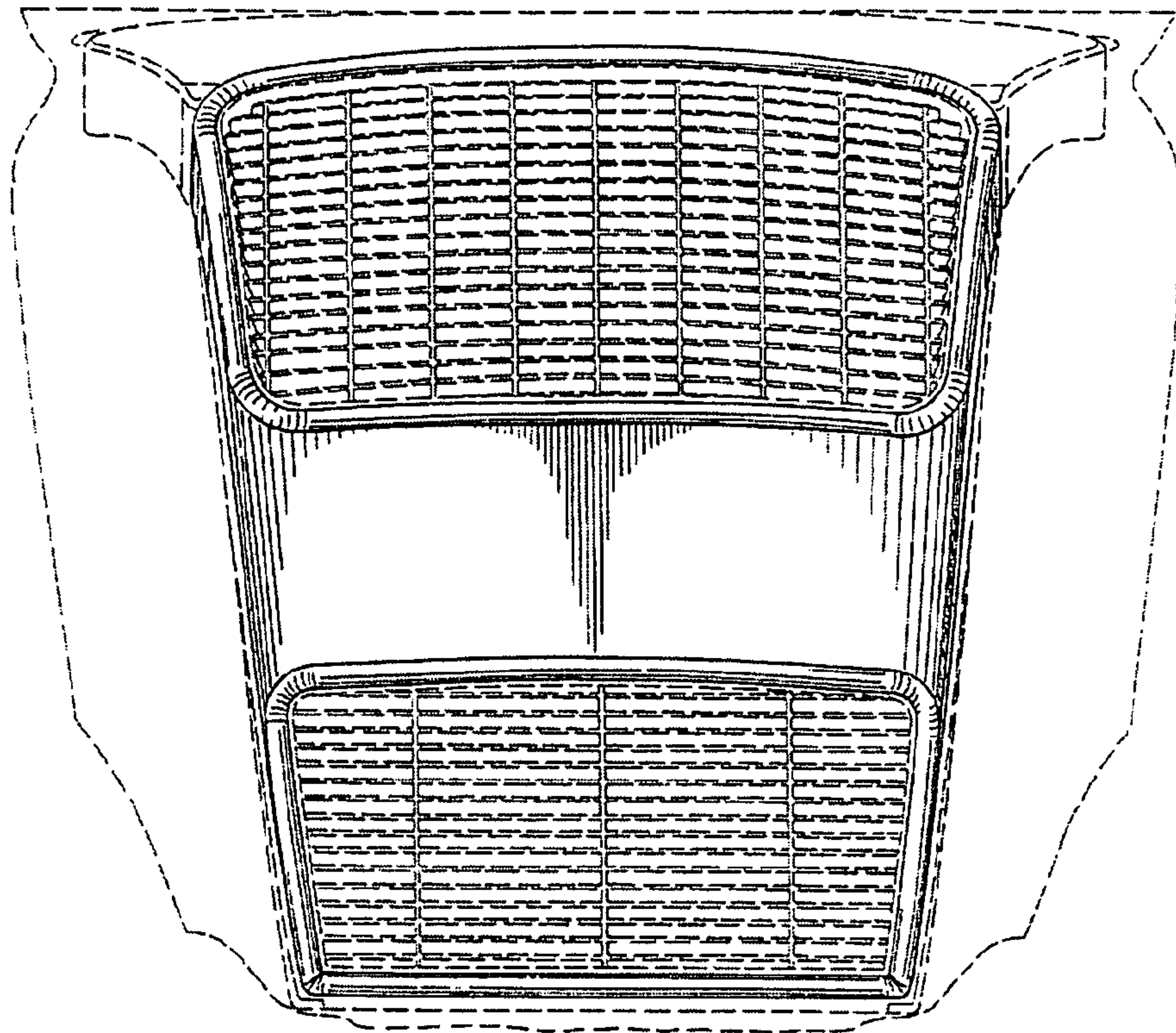
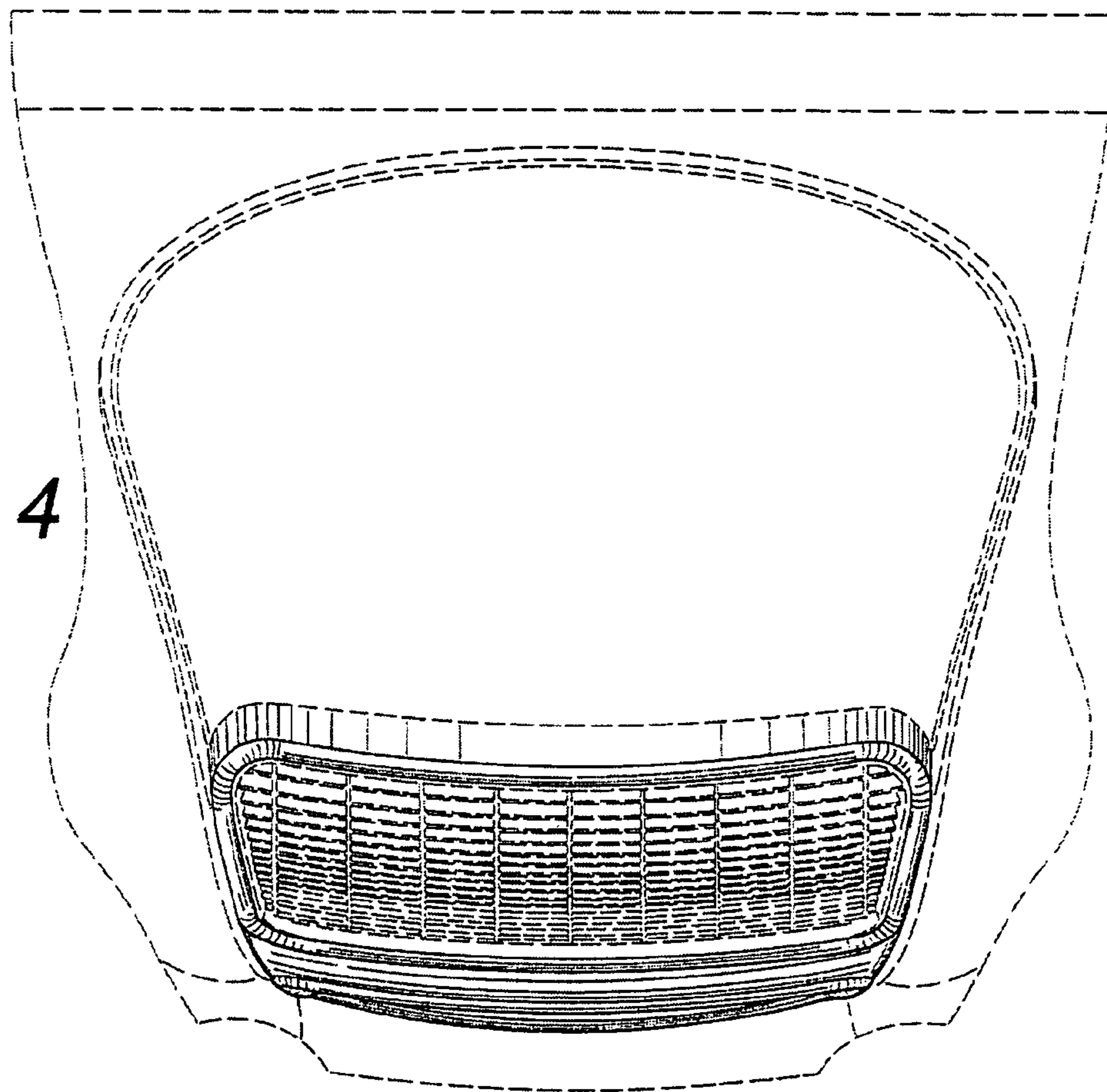


FIG. 4



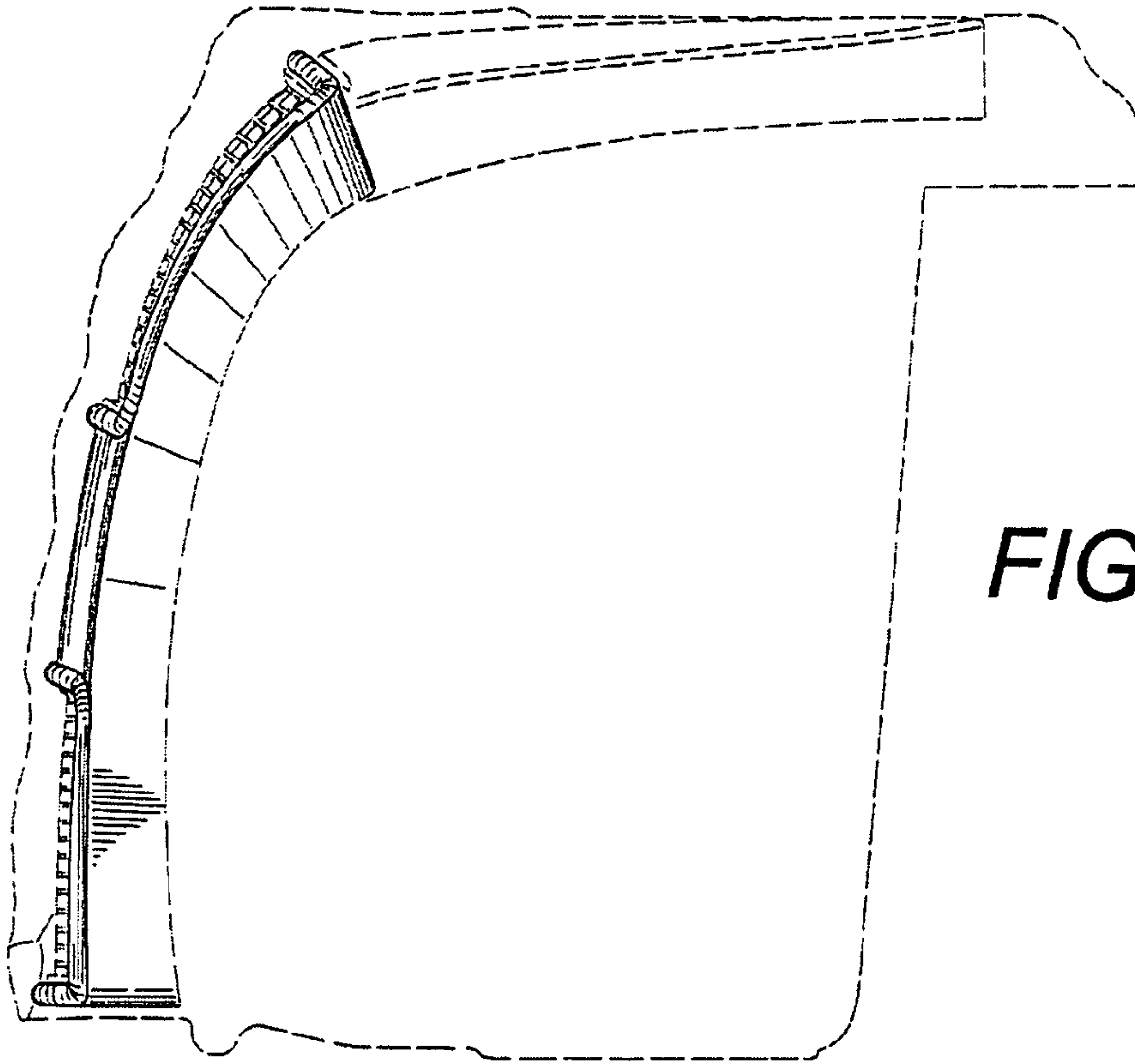


FIG. 5

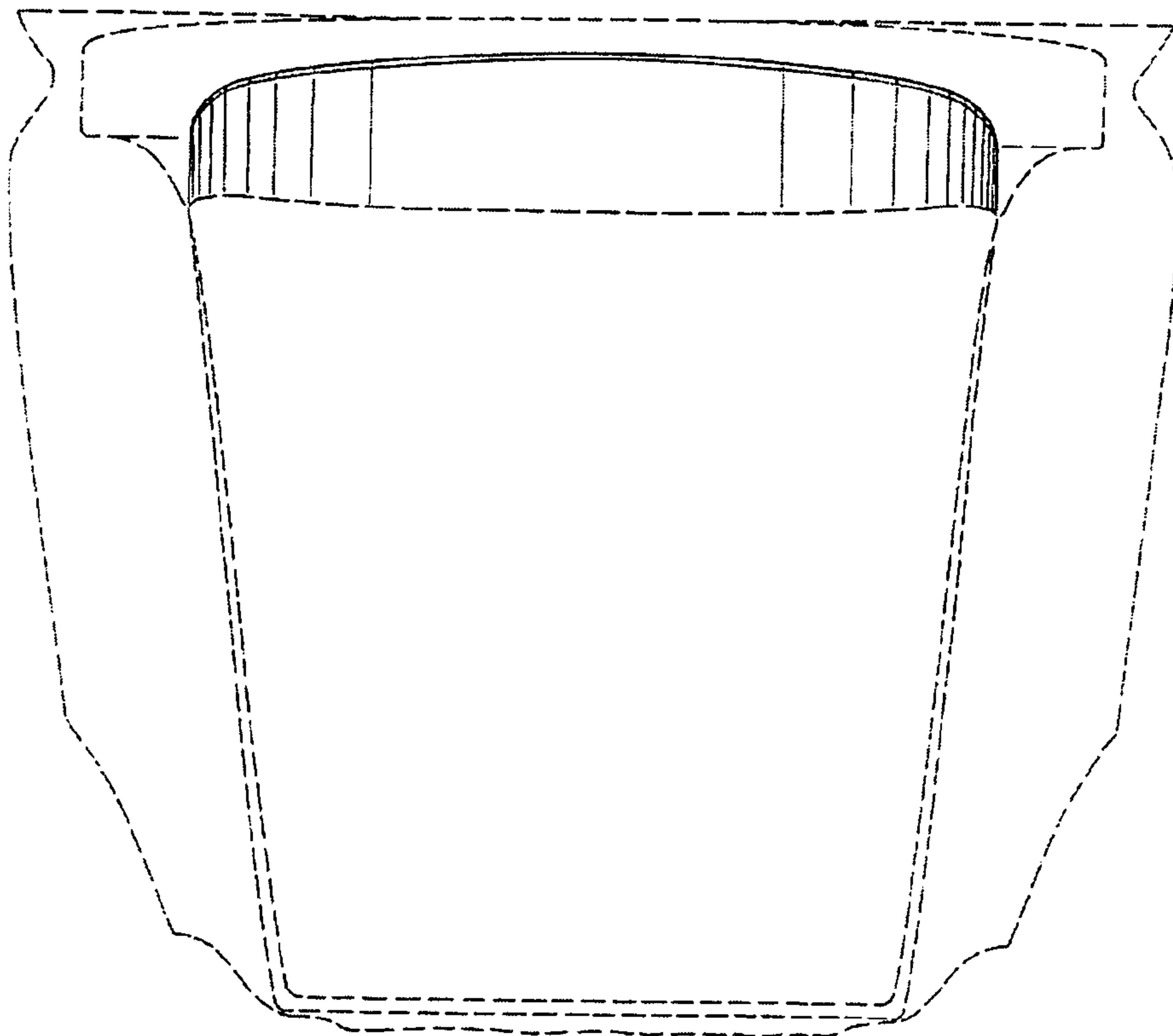


FIG. 6

FIG. 7

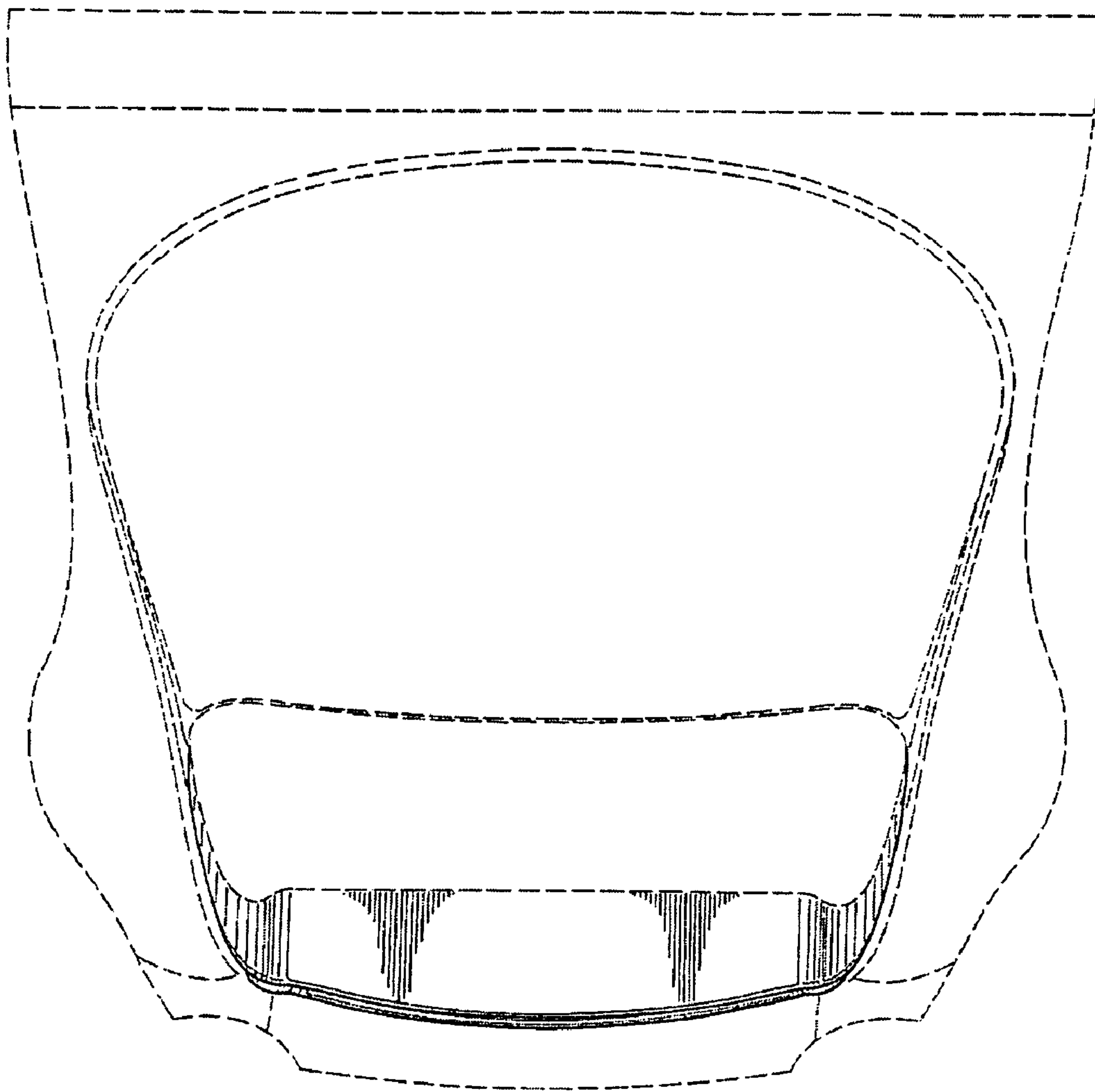


FIG. 8

