



US00D596265S

(12) **United States Design Patent**  
**Long et al.**

(10) **Patent No.:** **US D596,265 S**  
(45) **Date of Patent:** **\*\* Jul. 14, 2009**

(54) **DOUBLE-WALLED TANK**

(76) Inventors: **Dwayne Long**, 2246 S. Kansas Ave.,  
Springfield, MO (US) 65807; **Scott**  
**Higgins**, 1111 N. 19th Ave., Ozark, MO  
(US) 65721; **John R. Redmond**, 1530 E.  
Erie St., Apt. 311A, Springfield, MO  
(US) 65804; **Dwayne Holden**, 3900 E.  
Vila Way, Springfield, MO (US) 65809;  
**Robert Letterman**, 2149 E. Sunshine,  
Apt. 116D, Springfield, MO (US) 65804

(\*\*) Term: **14 Years**

(21) Appl. No.: **29/320,693**

(22) Filed: **Jul. 1, 2008**

(51) **LOC (9) Cl.** ..... **23-01**

(52) **U.S. Cl.** ..... **D23/206; D23/202**

(58) **Field of Classification Search** ..... D23/202-206;  
220/565, 567.1, 586, 587; 206/386

See application file for complete search history.

(56) **References Cited**

**U.S. PATENT DOCUMENTS**

D305,353 S \* 1/1990 Thomas ..... D23/202  
D336,327 S \* 6/1993 Zorb et al. .... D23/202

D349,944 S \* 8/1994 Harris ..... D23/202  
D394,302 S \* 5/1998 Harris et al. .... D23/202  
D418,196 S \* 12/1999 Faltys et al. .... D23/202

\* cited by examiner

*Primary Examiner*—Robin V Webster  
(74) *Attorney, Agent, or Firm*—Polsinelli Shughart PC;  
Richard P. Stitt

(57) **CLAIM**

The ornamental design for a double-walled tank, as shown  
and described.

**DESCRIPTION**

FIG. 1 is a top and front and left side perspective view of the  
double-walled tank showing our new design;

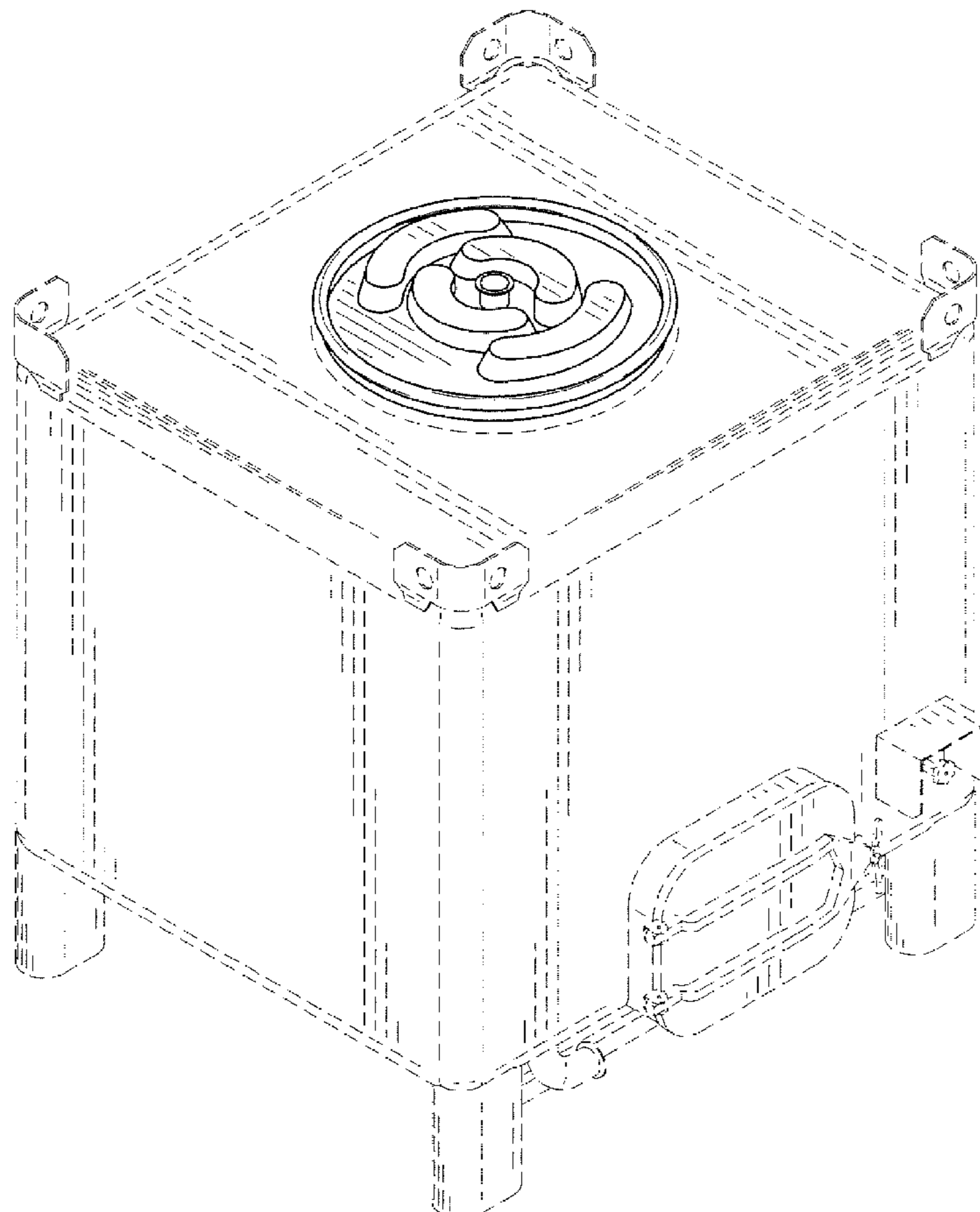
FIG. 2 is top plan view thereof;

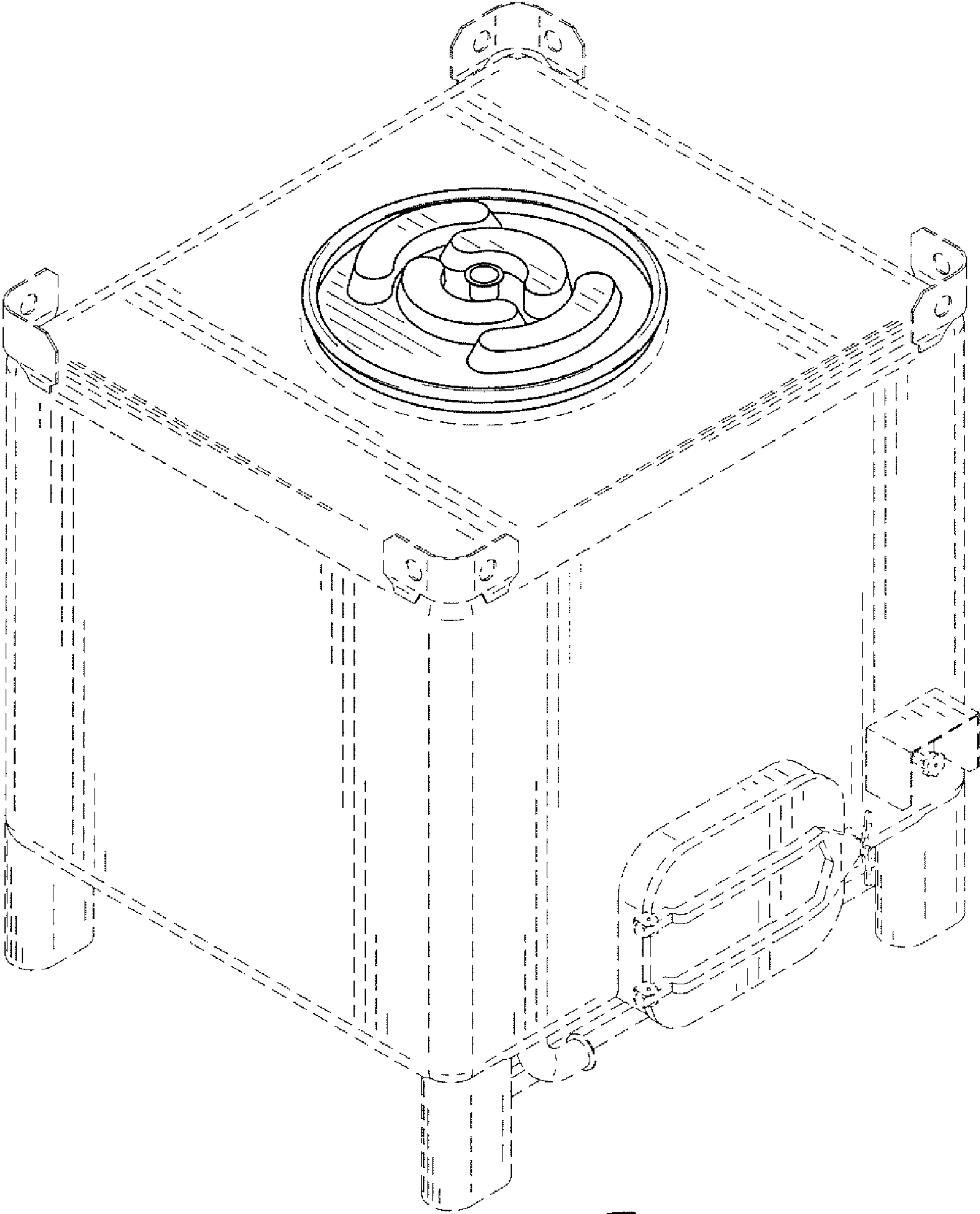
FIG. 3 is a front view thereof the rear view being a mirror  
image thereof; and,

FIG. 4 is a left side elevational view thereof the right side  
being a mirror image thereof.

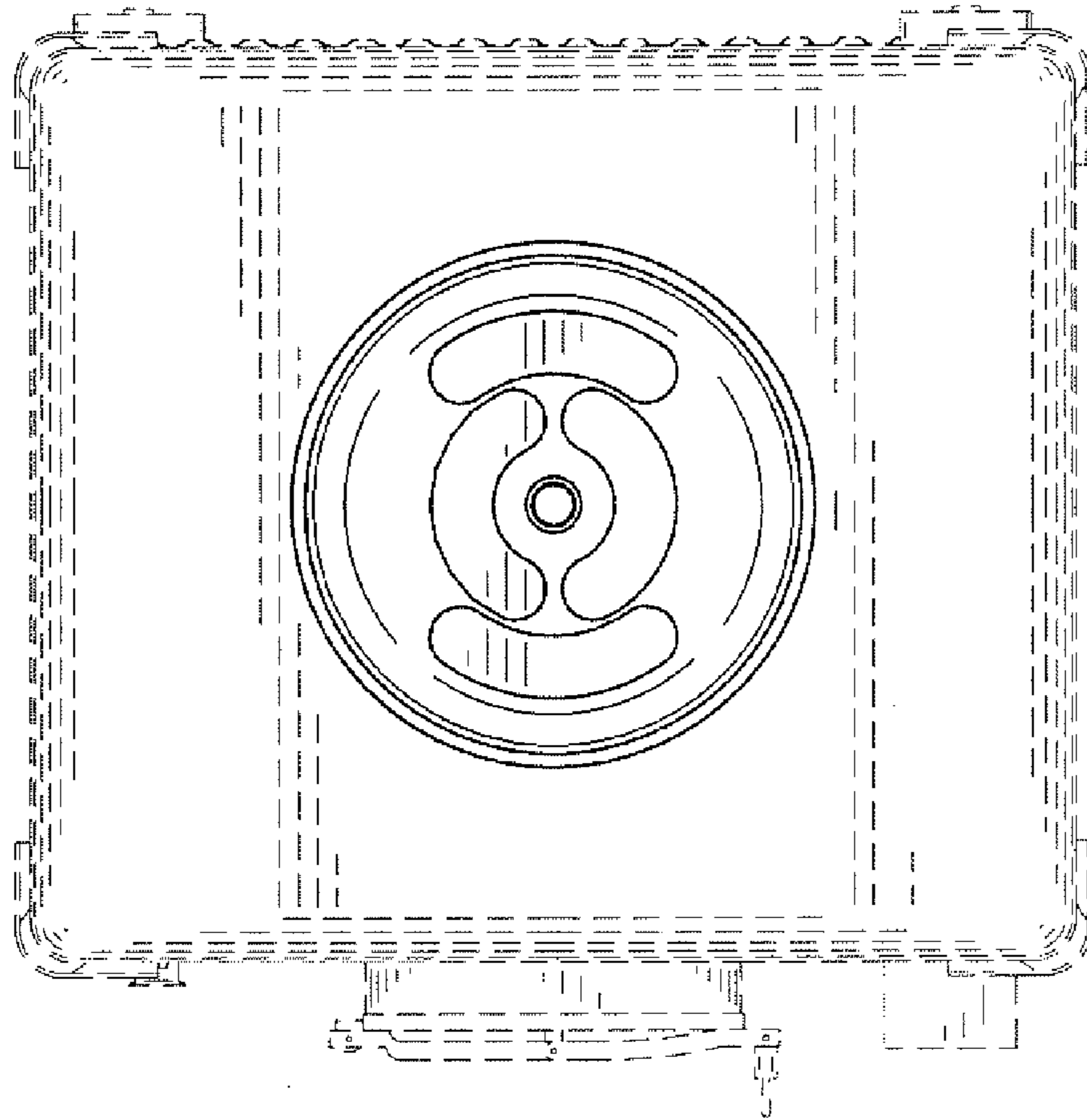
The broken lines shown in the figures are for illustrative  
purposes only, and the subject matter depicted thereby con-  
stitutes no part of the claimed design.

**1 Claim, 3 Drawing Sheets**

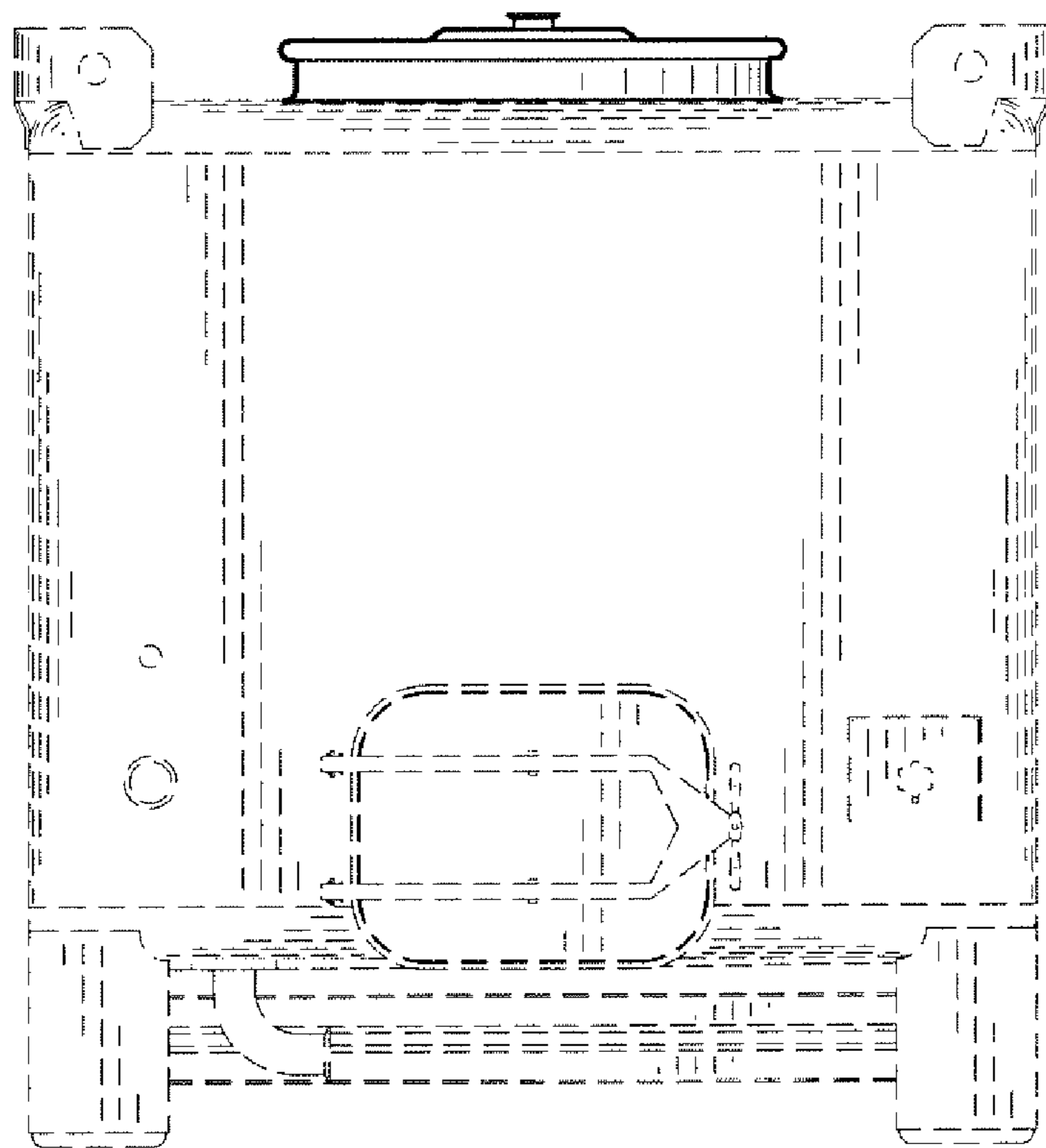




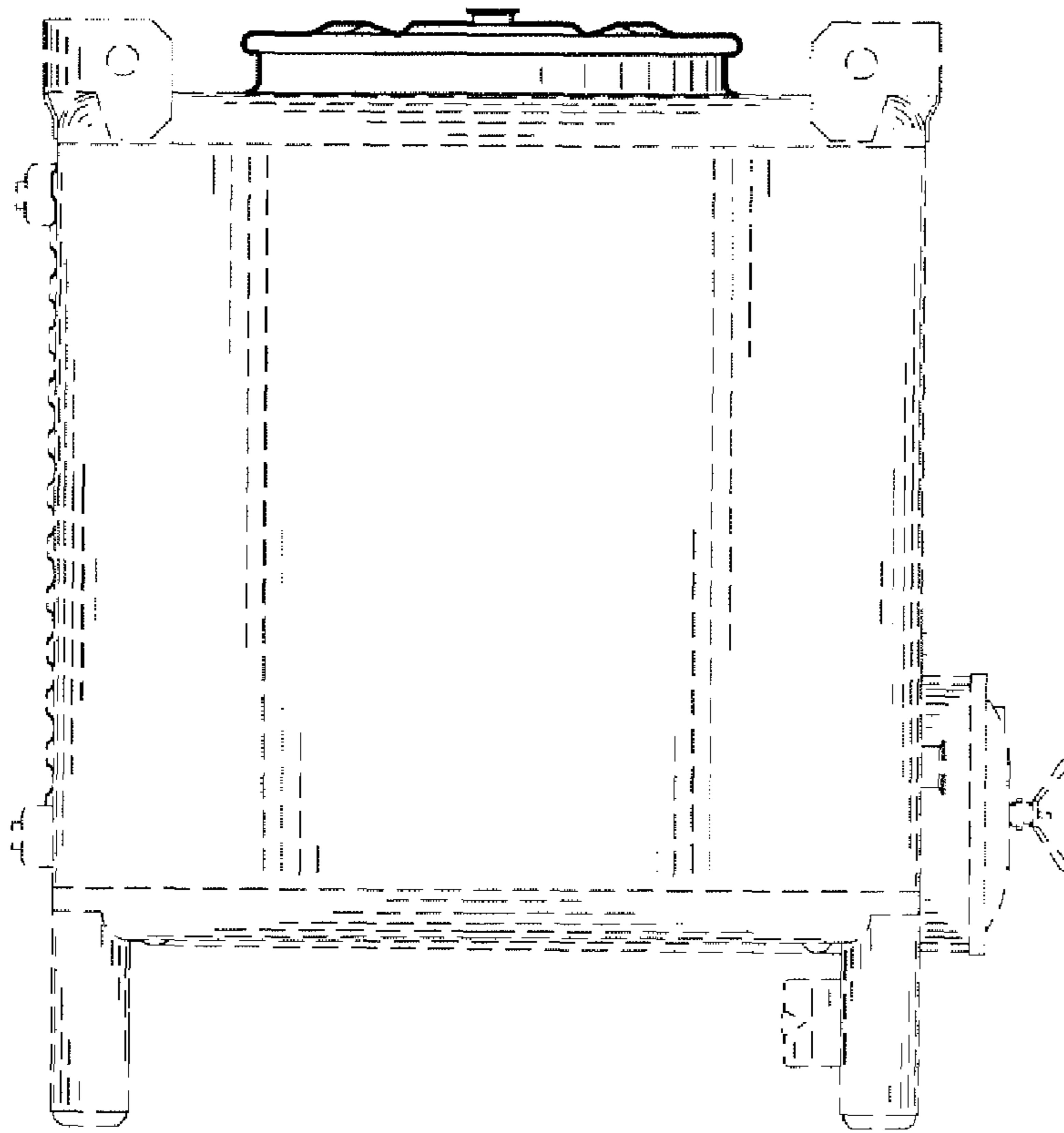
*Fig. 1*



*Fig. 2*



*Fig. 3*



*Fig. 4*