

US00D596263S

(12) **United States Design Patent**
LaTouche

(10) **Patent No.:** **US D596,263 S**

(45) **Date of Patent:** **** Jul. 14, 2009**

(54) **COLLAPSIBLE FISHING ROD AND REEL**

(74) *Attorney, Agent, or Firm*—Roetzel & Andress

(76) **Inventor:** **Desmond J. LaTouche**, 1315 Patricia
Boulevard, Kingsville, Ontario (CA)
N9Y 2R3

(57) **CLAIM**

The ornamental design for a collapsible fishing rod and reel,
as shown and described.

(**) **Term:** **14 Years**

DESCRIPTION

(21) **Appl. No.:** **29/323,508**

FIG. 1 is a perspective view of the collapsible fishing rod and
reel of the present invention;

(22) **Filed:** **Aug. 27, 2008**

FIG. 2 is a top plan view of the fishing rod and reel of the
present invention;

(51) **LOC (9) Cl.** **22-05**

(52) **U.S. Cl.** **D22/138**

(58) **Field of Classification Search** D22/137-141;
43/19-23; 242/223-224, 311, 233, 229,
242/241

FIG. 3 is a bottom plan view of the fishing rod and reel of the
present invention;

See application file for complete search history.

FIG. 4 is a front elevation view of the fishing rod and reel of
the present invention;

(56) **References Cited**

U.S. PATENT DOCUMENTS

D370,047 S *	5/1996	Eberhard	D22/138
D407,136 S *	3/1999	Merrill et al.	D22/137
D466,580 S *	12/2002	Lu	D22/137
D518,868 S *	4/2006	von Mohr et al.	D22/137

FIG. 5 is a rear elevation view of the fishing rod and reel of the
present invention;

FIG. 6 is an elevation view, from one side, of the fishing rod
and reel of the present invention;

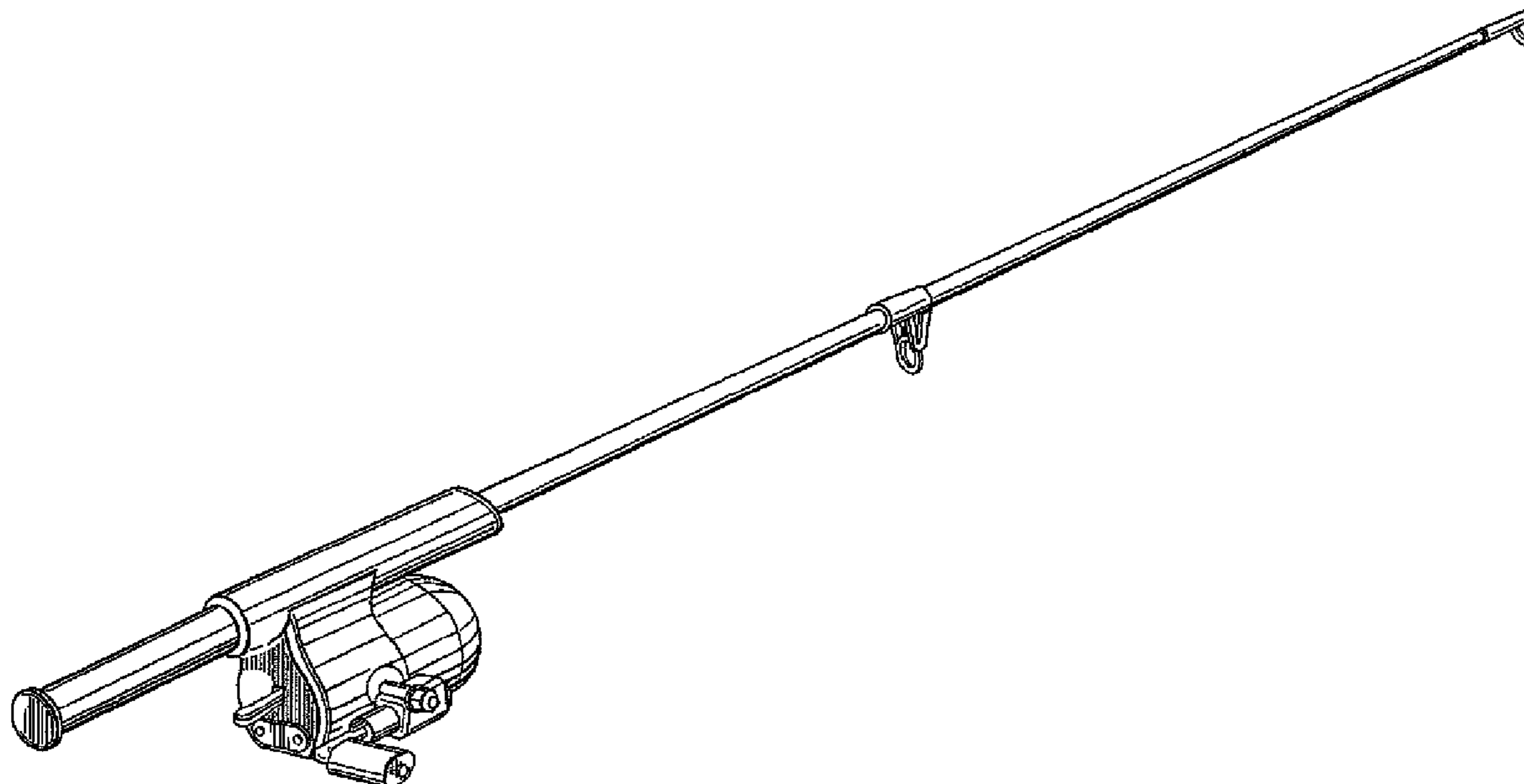
FIG. 7 is an elevation view, from the other side, of the fishing
rod and reel of the present invention; and,

FIG. 8 is a perspective view of the collapsible fishing rod and
reel of the present invention, in open, operative position.

* cited by examiner

Primary Examiner—Catherine R Oliver

1 Claim, 5 Drawing Sheets



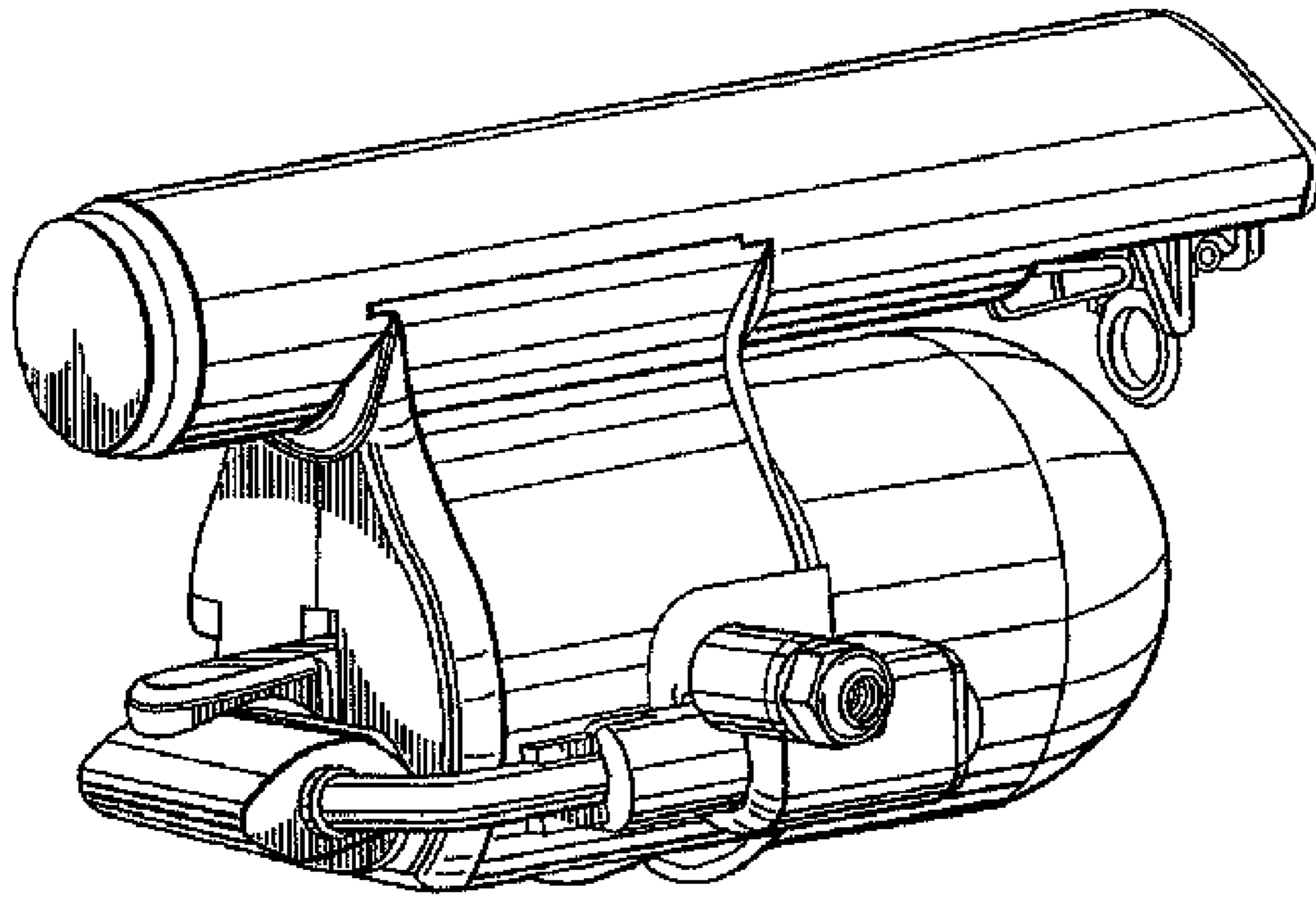


FIG. 1

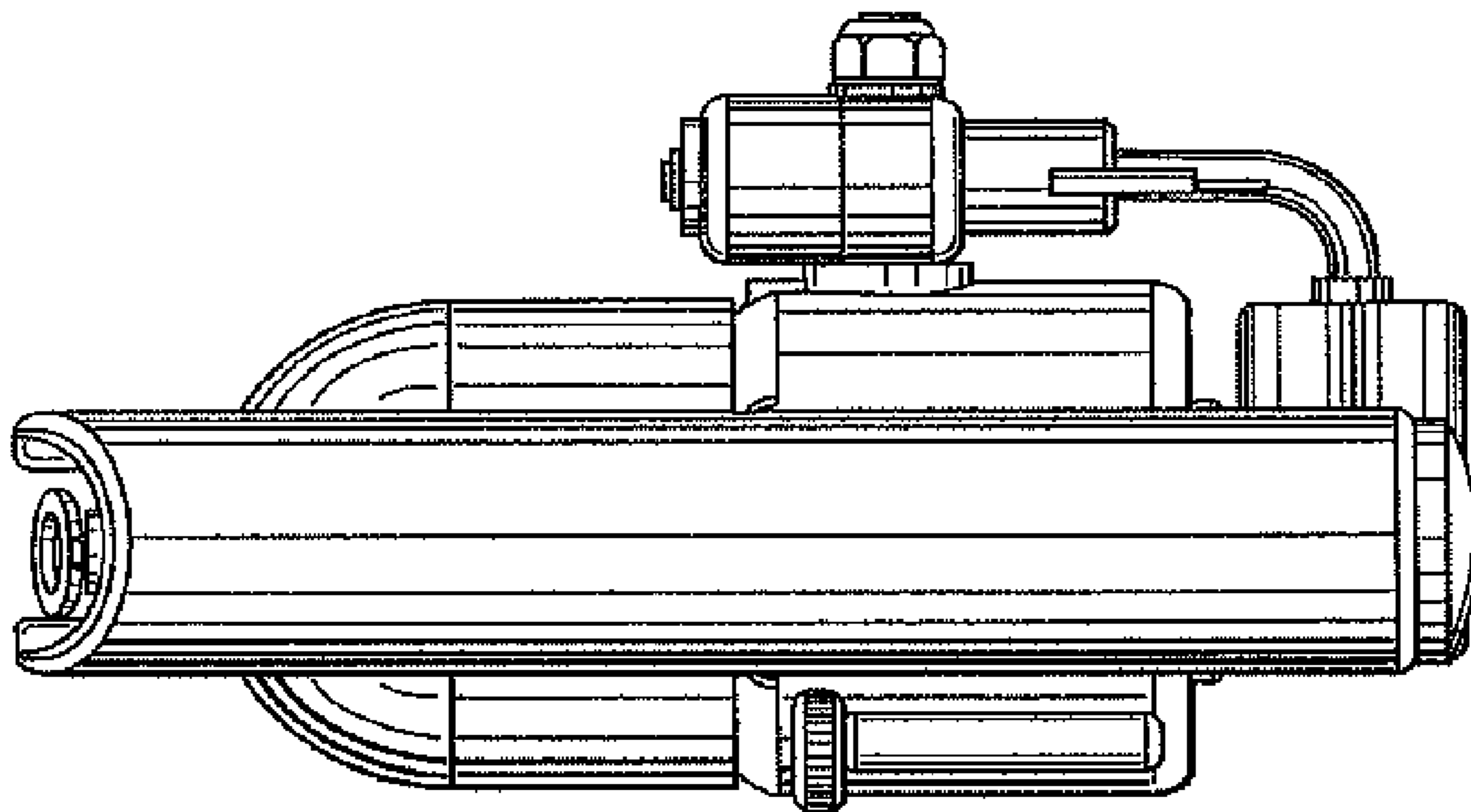


FIG. 2

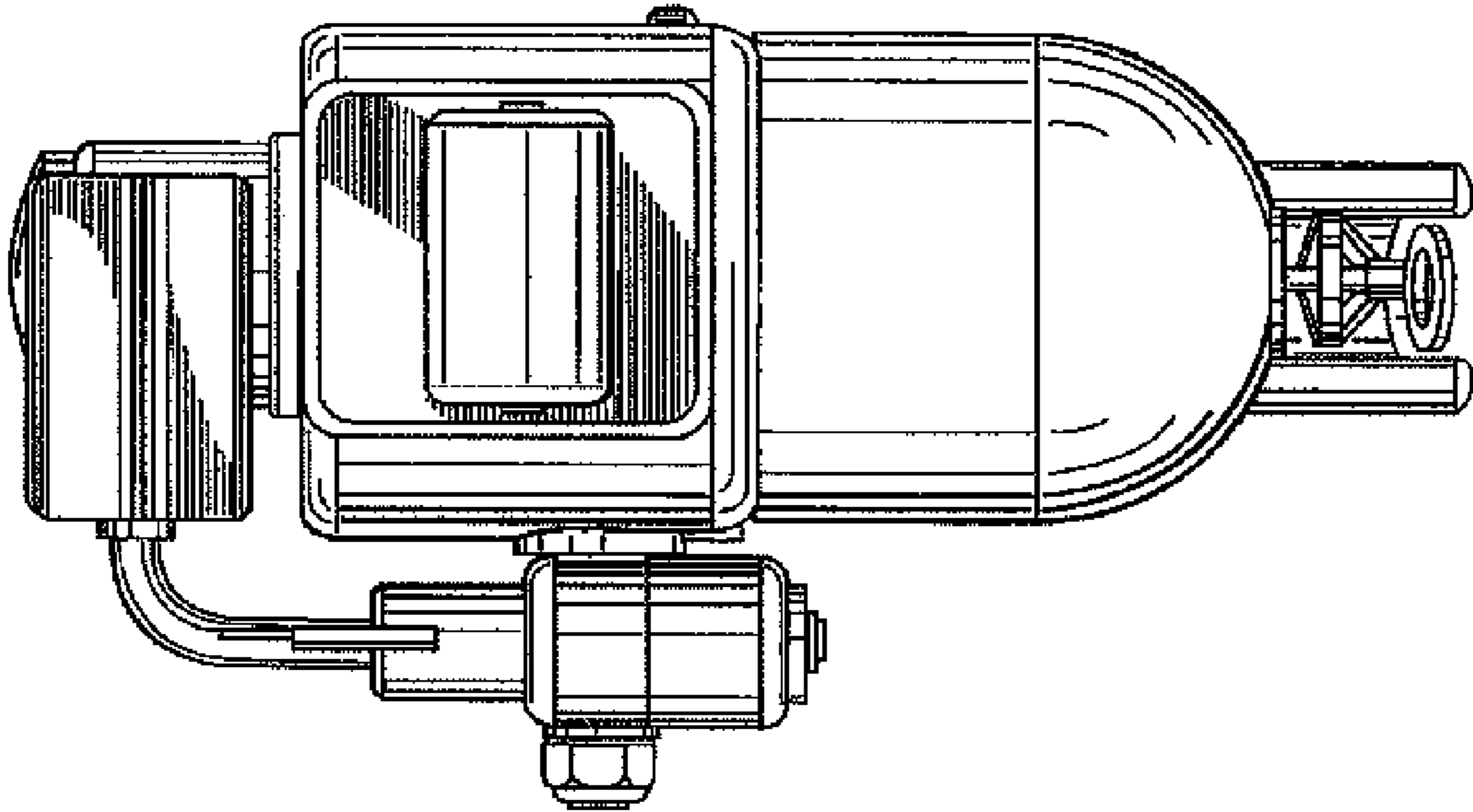


FIG. 3

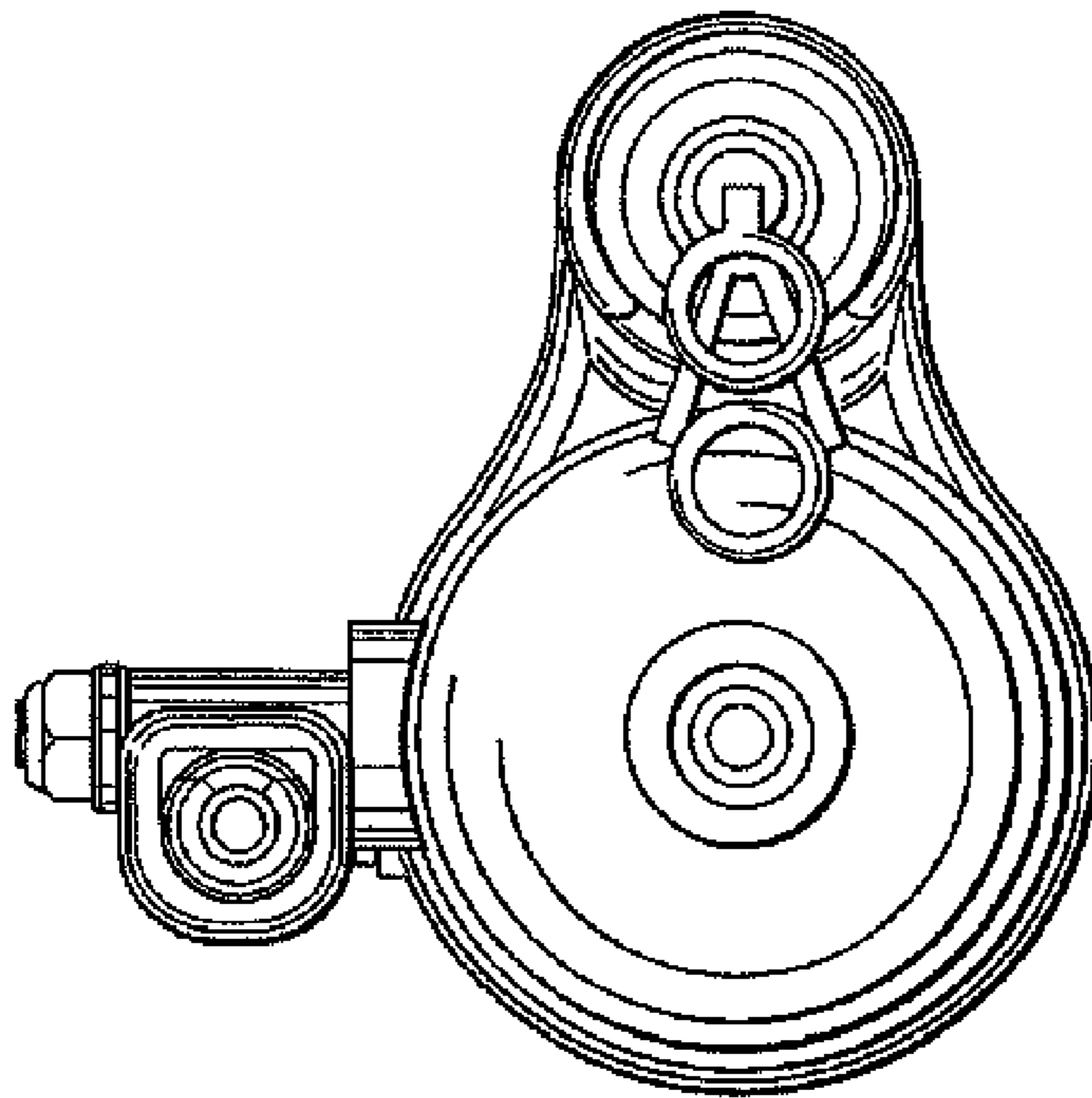


FIG. 4

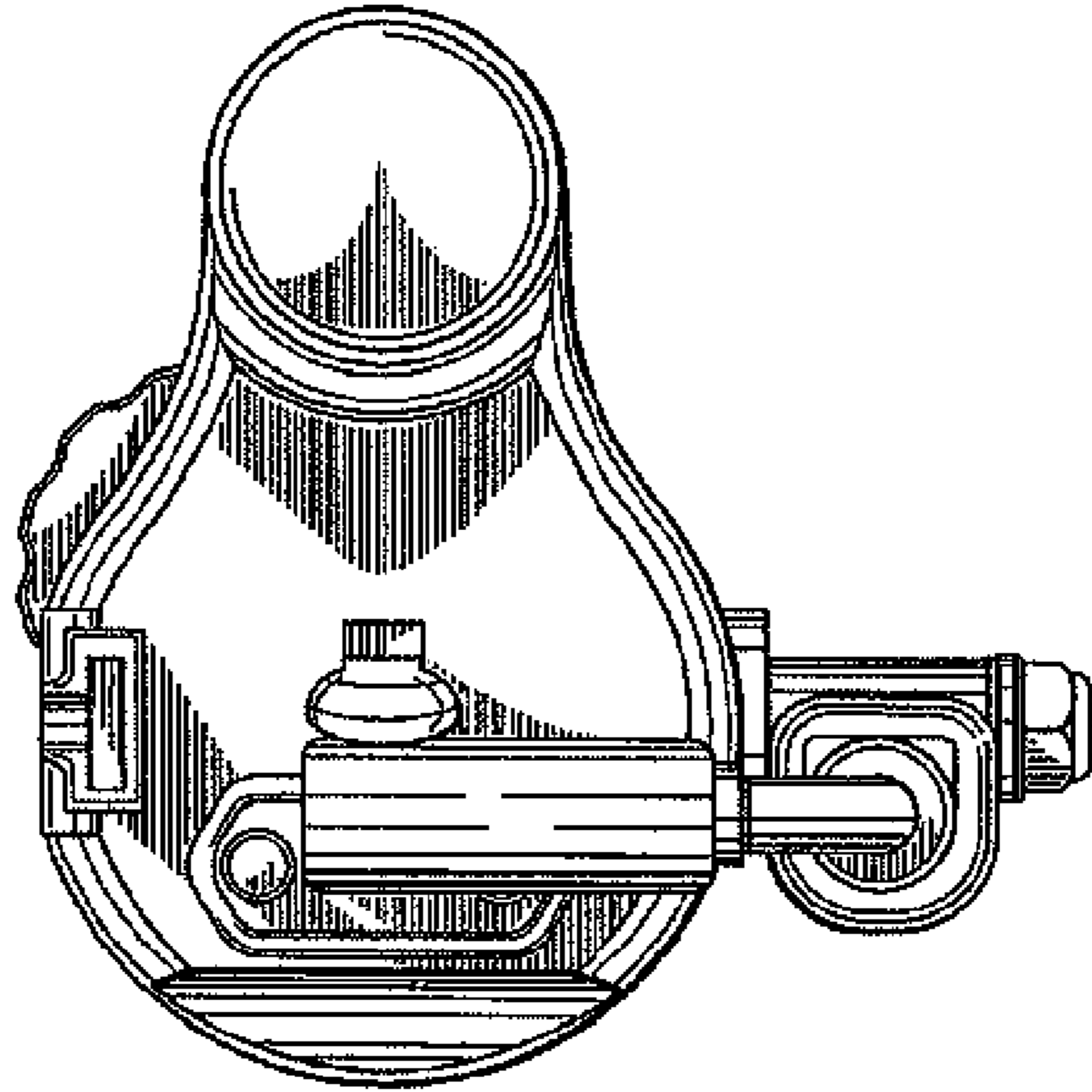


FIG. 5

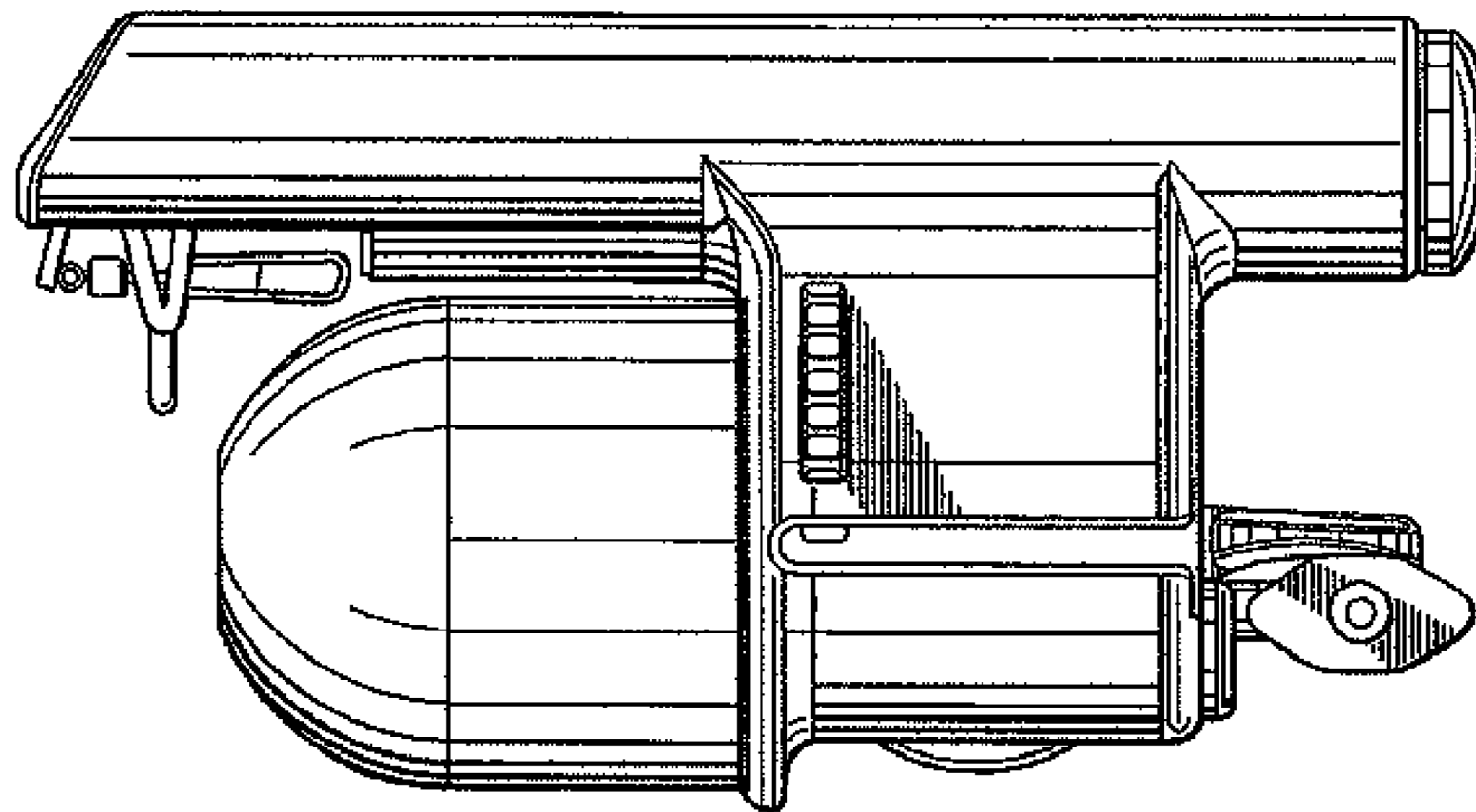


FIG. 6

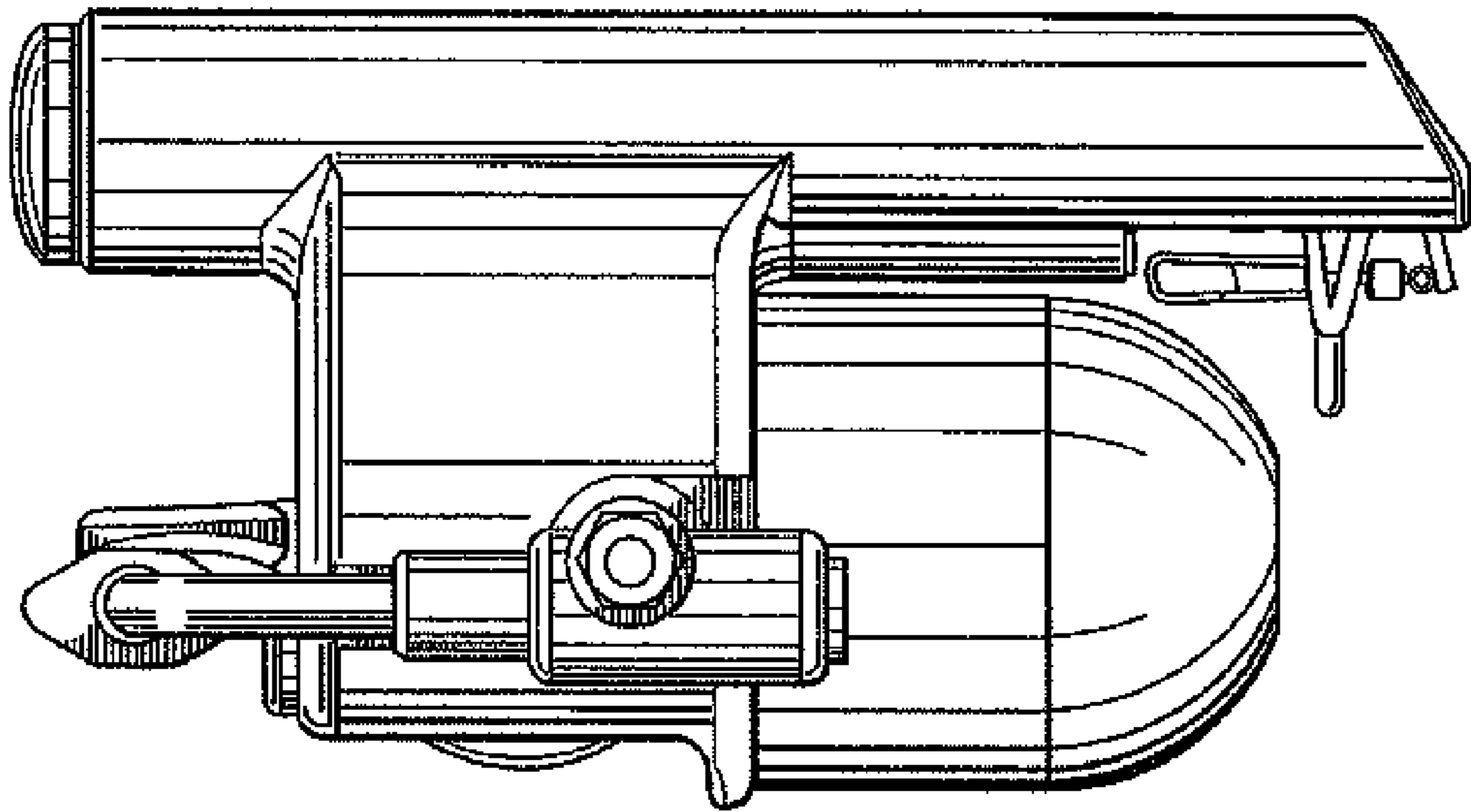


FIG. 7

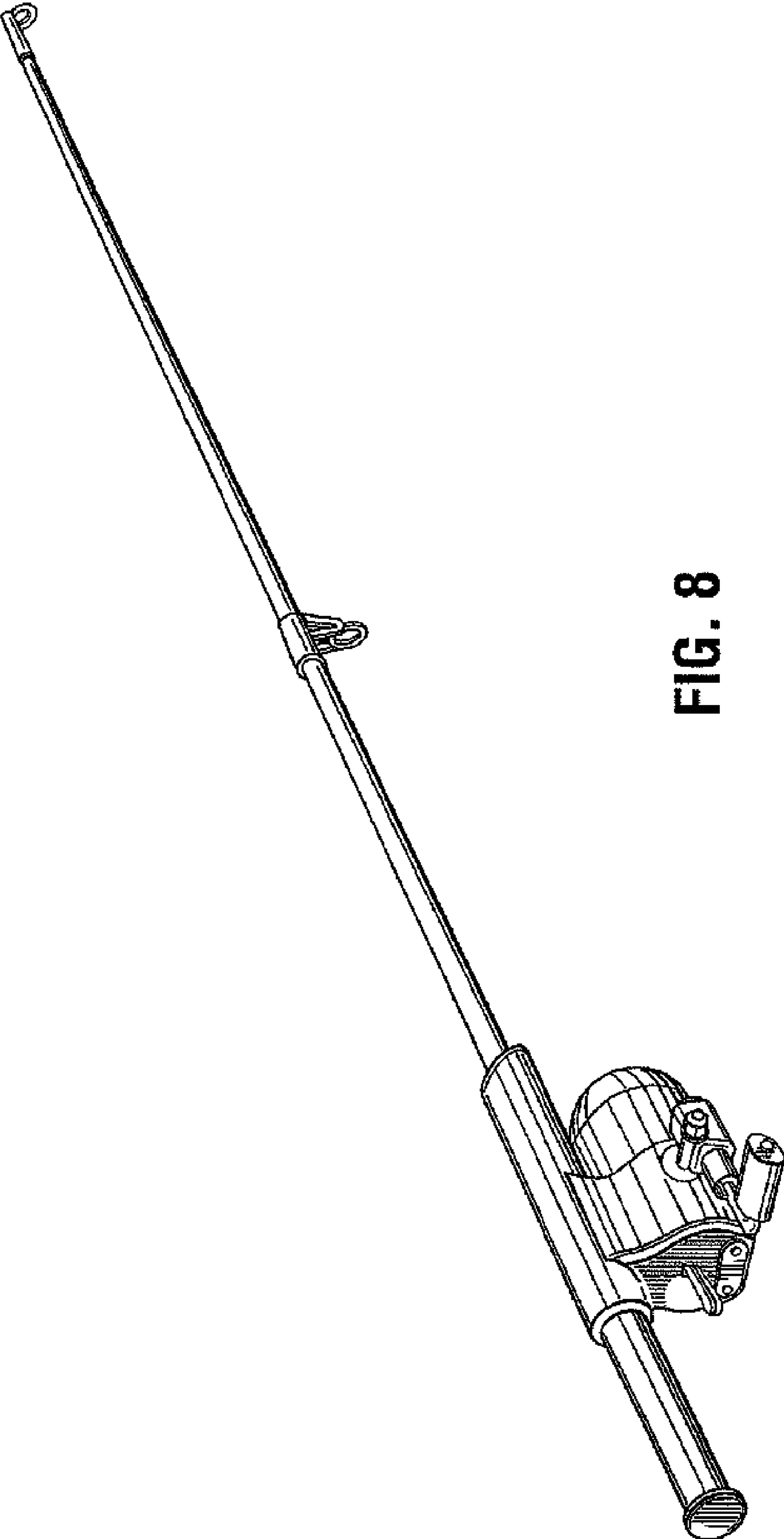


FIG. 8