



US00D596261S

(12) **United States Design Patent**
Cirjak et al.

(10) **Patent No.:** **US D596,261 S**
(45) **Date of Patent:** **** Jul. 14, 2009**

(54) **AMUSEMENT FLOAT**
(75) Inventors: **Robert Cirjak**, Bocholt (DE); **Romann Rademacher**, Bocholt (DE)
(73) Assignee: **Wibit Sports GmbH**, Bocholt (DE)
(**) Term: **14 Years**
(21) Appl. No.: **29/327,988**
(22) Filed: **Nov. 17, 2008**

5,678,357 A * 10/1997 Rubio et al. 52/2.17
D439,946 S * 4/2001 Gourchounian D21/835
D481,437 S * 10/2003 Peterson D21/809
6,685,520 B1 * 2/2004 Wiggins 441/40
D515,167 S * 2/2006 Capwell D21/835

* cited by examiner

Primary Examiner—Janice E Seeger
Assistant Examiner—Zenia I Bennett

(74) *Attorney, Agent, or Firm*—David S. Safran; Roberts Mlotkowski Safran & Cole, P.C.

(51) **LOC (9) Cl.** **21-02**
(52) **U.S. Cl.** **D21/803**
(58) **Field of Classification Search** D21/769–770,
D21/801, 803, 809; 114/253, 345–346; 441/35,
441/66, 40–42, 129–132; 472/128–129;
D12/5, 6, 316
See application file for complete search history.

(57) **CLAIM**

The ornamental design for an amusement float, as shown and described.

DESCRIPTION

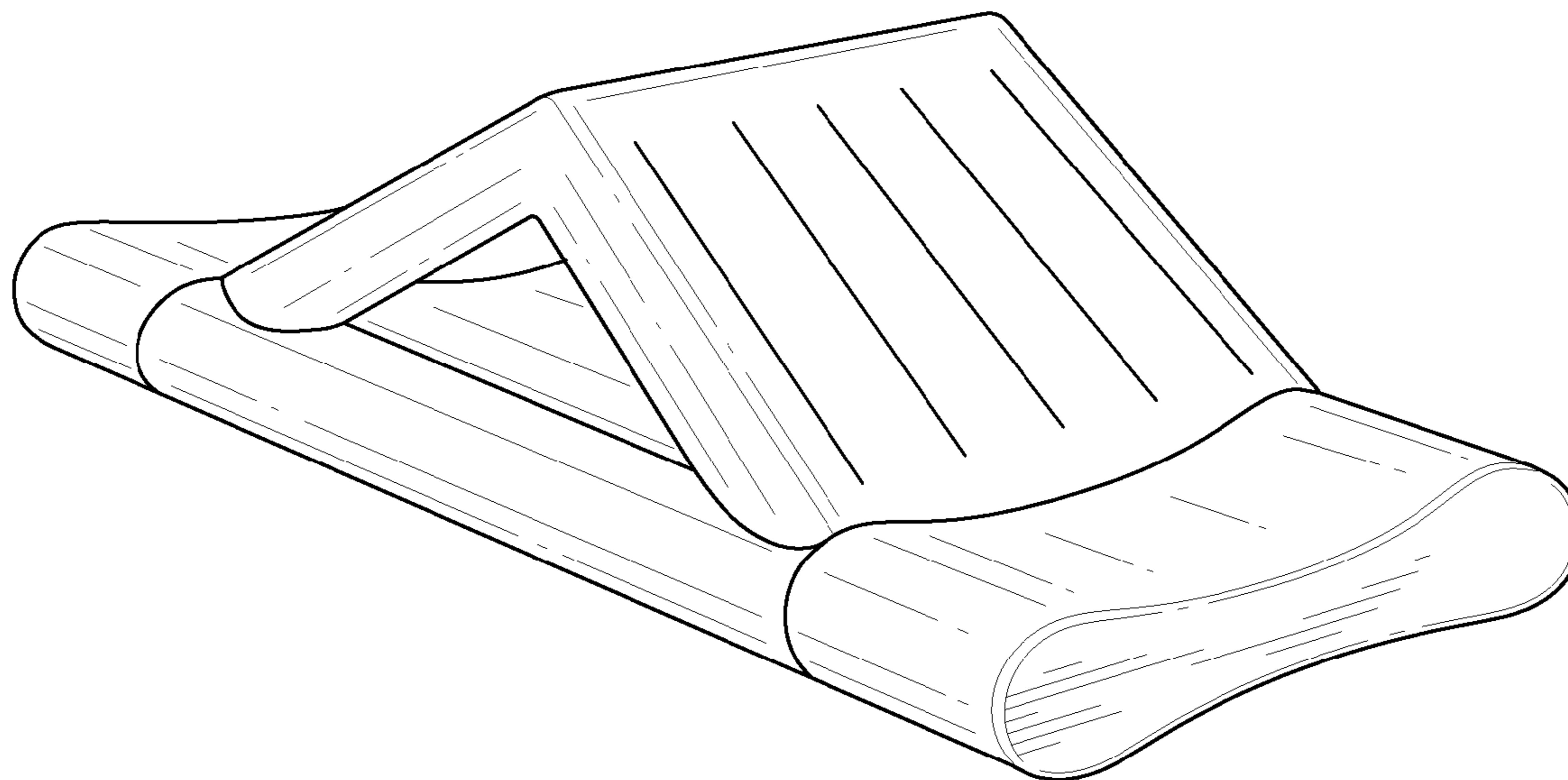
FIG. 1 is a front right perspective view showing our new design;
FIG. 2 is a side view of our design, the opposite side being the same;
FIG. 3 is a front view of our design, the rear view being the same;
FIG. 4 is a top view of our design; and,
FIG. 5 is a bottom view of our design.

(56) **References Cited**

U.S. PATENT DOCUMENTS

3,145,719 A * 8/1964 Johnson 52/2.21
3,268,925 A * 8/1966 Serra 441/40
3,877,096 A * 4/1975 Scesney 441/6
D309,169 S * 7/1990 Scheurer D21/809
D315,186 S * 3/1991 Peterson D21/803
5,056,453 A * 10/1991 Wright 114/345

1 Claim, 2 Drawing Sheets



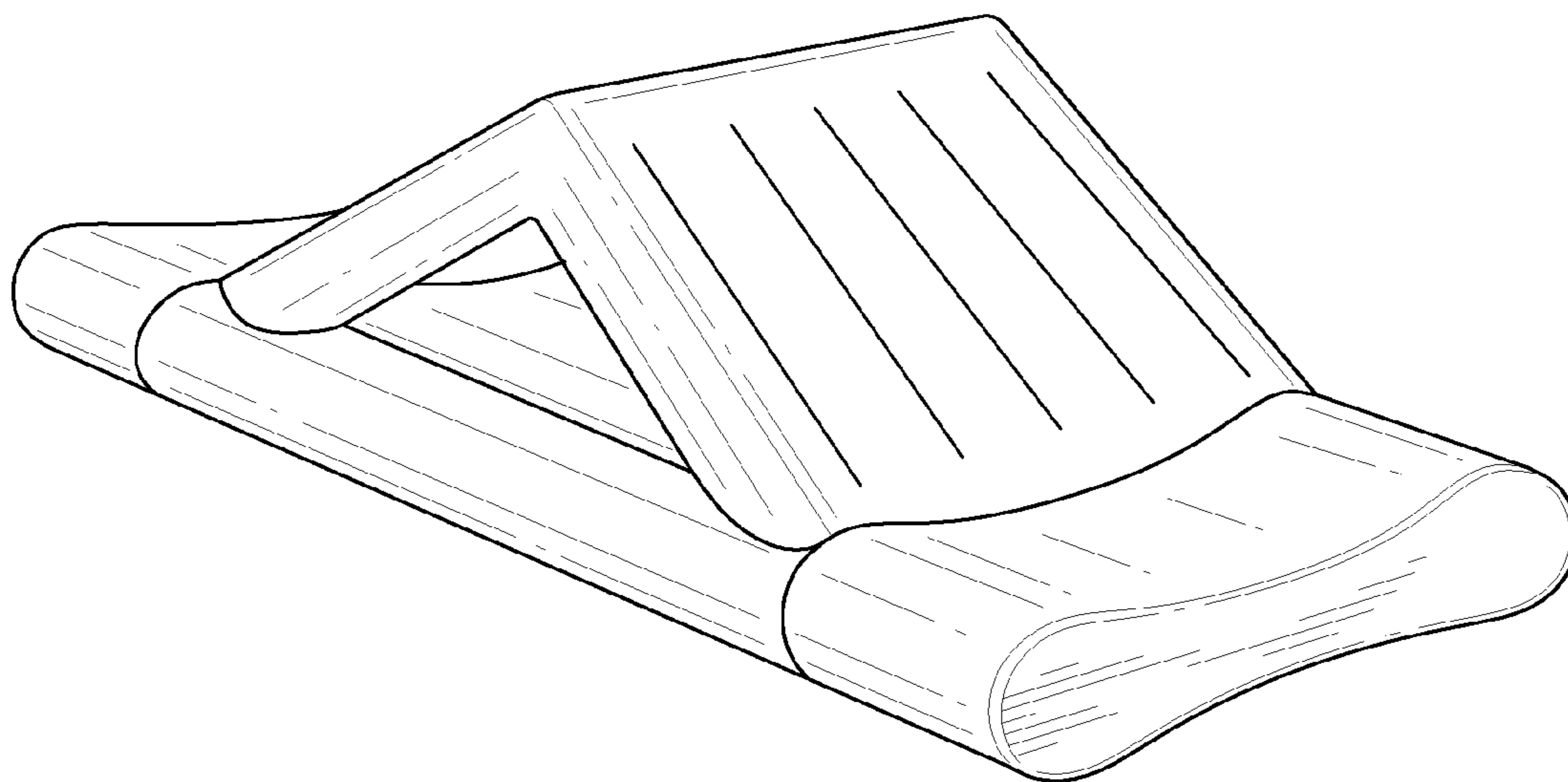


FIG. 1

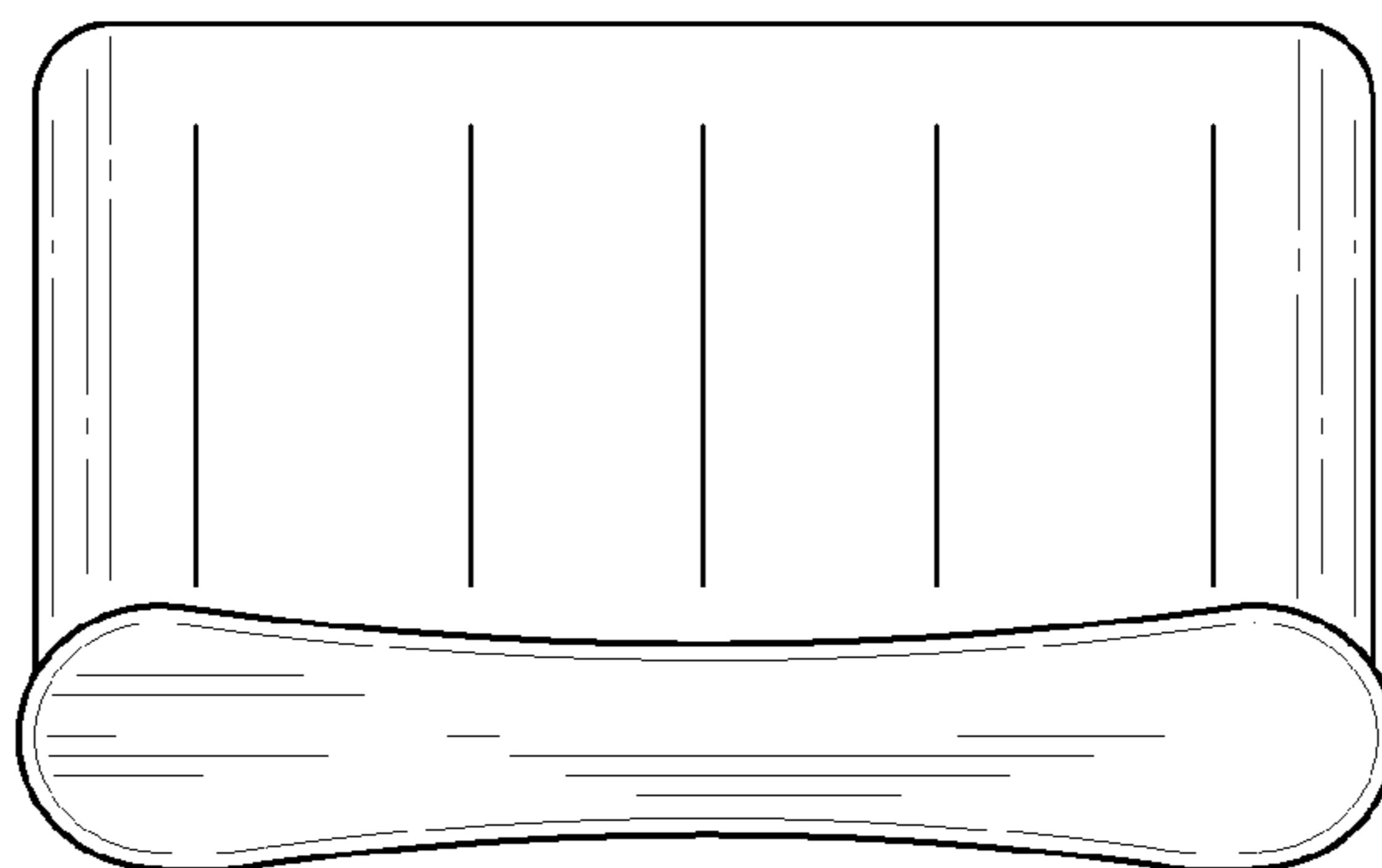


FIG. 2

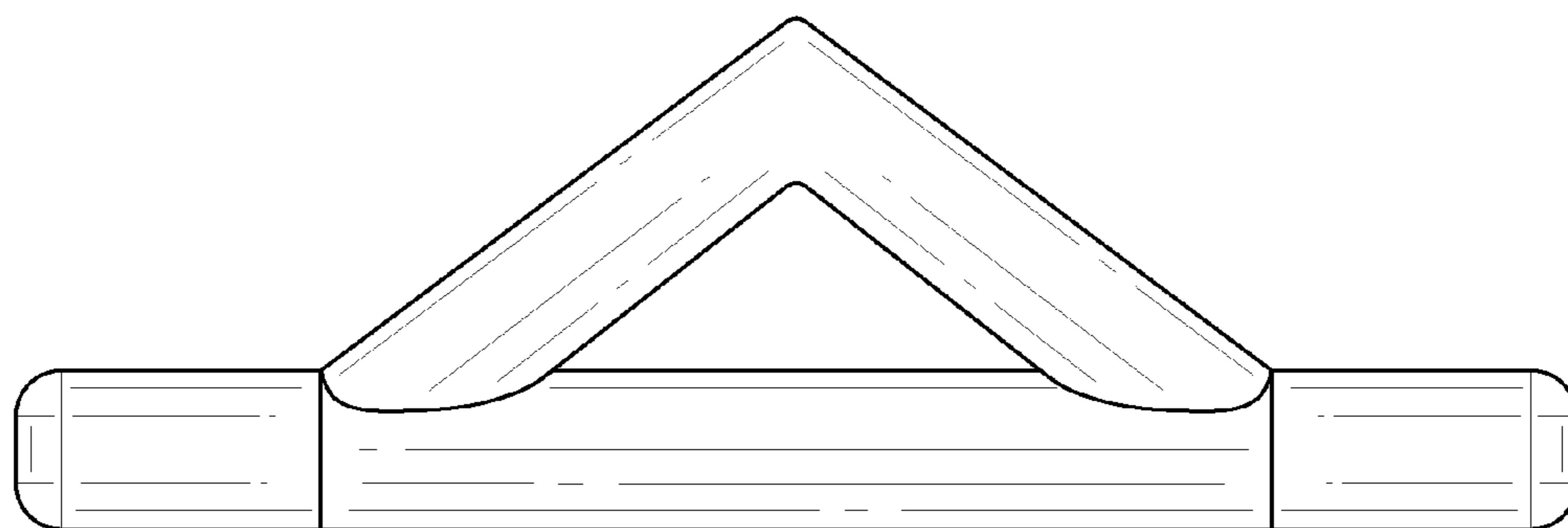


FIG. 3

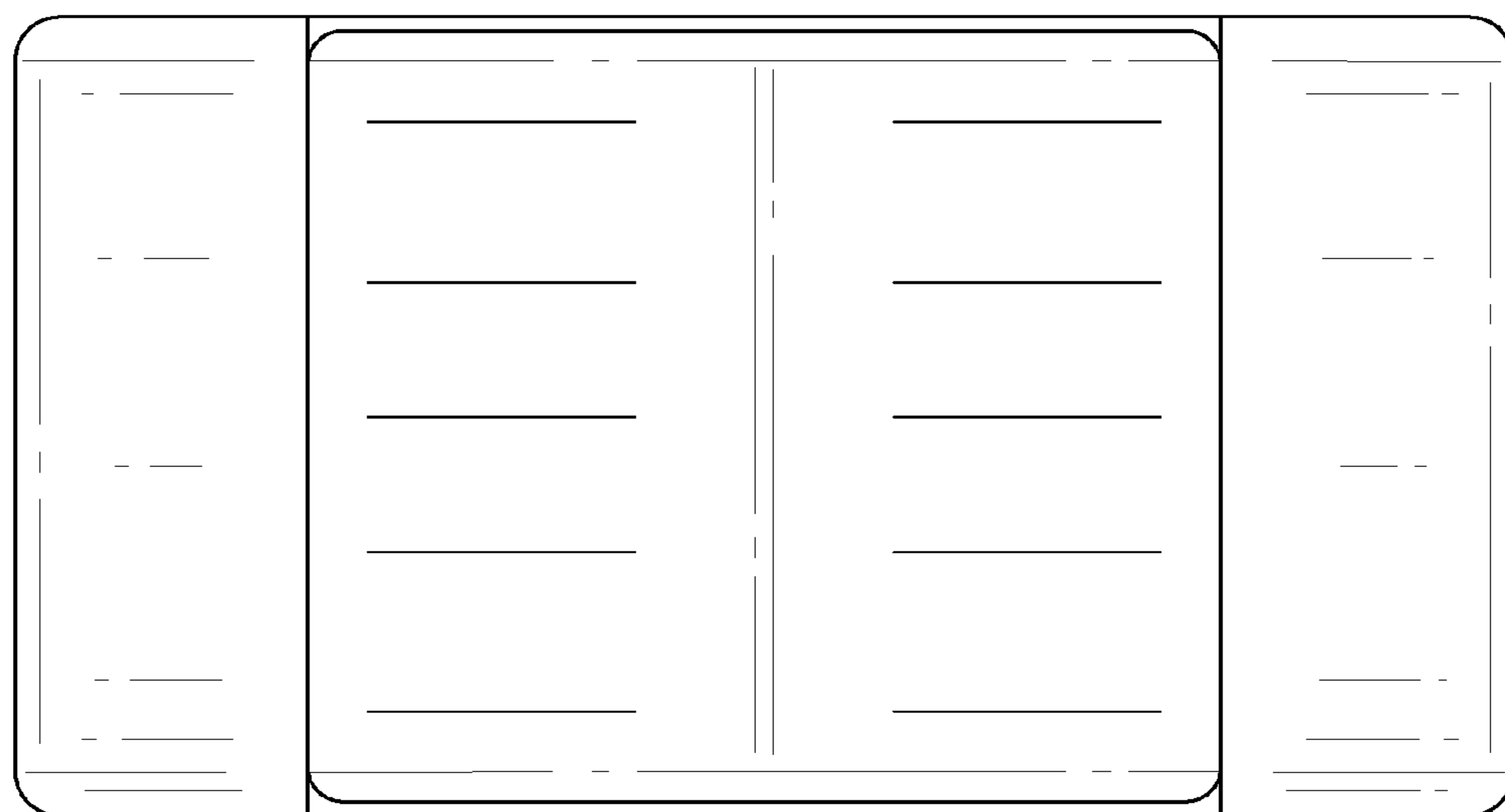


FIG. 4



FIG. 5