

US00D596257S

(12) **United States Design Patent**  
**Jertson et al.**

(10) **Patent No.:** **US D596,257 S**  
(45) **Date of Patent:** **\*\* Jul. 14, 2009**

- (54) **GOLF CLUB HEAD**
- (75) Inventors: **Marty R. Jertson**, Cave Creek, AZ (US); **Michael R. Nicolette**, Scottsdale, AZ (US); **Xiaojian Chen**, Phoenix, AZ (US)
- (73) Assignee: **Karsten Manufacturing Corporation**, Phoenix, AZ (US)
- (\*\*) Term: **14 Years**
- (21) Appl. No.: **29/332,635**
- (22) Filed: **Feb. 20, 2009**
- (51) **LOC (9) Cl.** ..... **21-02**
- (52) **U.S. Cl.** ..... **D21/759**
- (58) **Field of Classification Search** ..... D21/747-751, D21/759; 473/324-331, 350  
See application file for complete search history.

- D431,852 S 10/2000 Kubica et al.
- D435,073 S 12/2000 Stone et al.
- D435,277 S 12/2000 Erickson et al.
- 6,186,903 B1 2/2001 Beebe et al.
- 6,210,290 B1 4/2001 Erickson et al.
- D442,245 S 5/2001 Roach et al.
- D442,659 S 5/2001 Kubica et al.
- D443,008 S 5/2001 Kubica et al.
- 6,251,029 B1 6/2001 Roberts
- D445,862 S 7/2001 Ford
- D453,949 S 2/2002 Helmstetter et al.
- 6,379,262 B1 4/2002 Boone
- 6,454,665 B2 9/2002 Antonious
- D473,605 S 4/2003 Petersen et al.
- D480,440 S 10/2003 Rollinson et al.
- D481,775 S 11/2003 Best
- 6,695,714 B1 2/2004 Bliss et al.
- D492,376 S 6/2004 Nicolette et al.

(Continued)

**OTHER PUBLICATIONS**

Michael R. Nicolette, et al., "Golf Clubs and Methods of Manufacture," U.S. Appl. No. 11/828,260, filed Jul. 25, 2007.

(Continued)

*Primary Examiner*—Mitchell I Siegel

(57) **CLAIM**

The ornamental design for a golf club head, as shown and described.

**DESCRIPTION**

FIG. 1 is an elevational view of the rear of a golf club head; and,

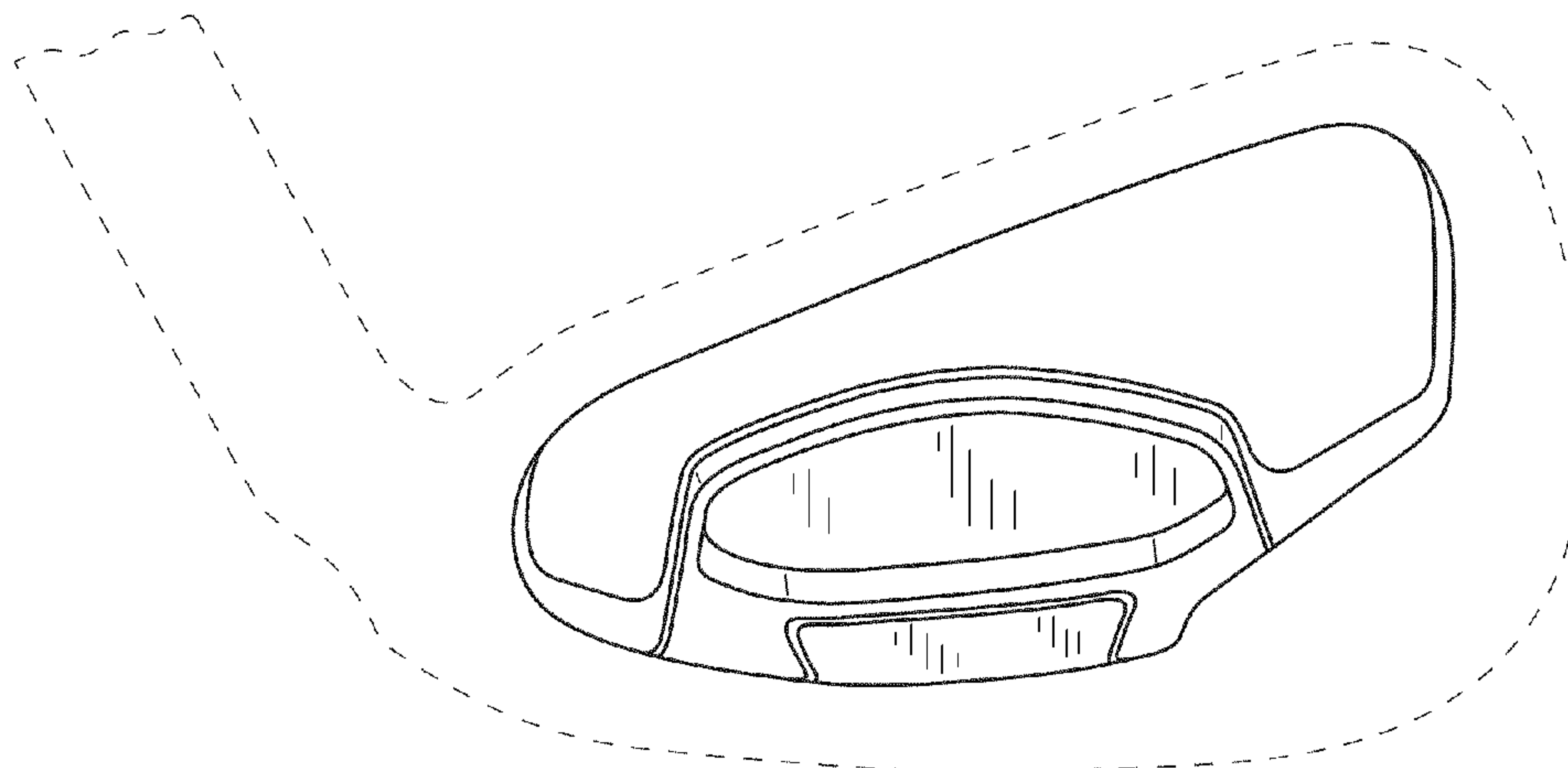
FIG. 2 is an inverted perspective view of the golf club head of FIG. 1.

The broken lines shown in one or more of the figures are for illustrative purposes only and form no part of the claimed design.

**1 Claim, 1 Drawing Sheet**

(56) **References Cited**  
U.S. PATENT DOCUMENTS

- D244,558 S 5/1977 Elkins, Jr.
- D314,220 S 1/1991 Allen
- D329,904 S 9/1992 Gorman
- D361,813 S 8/1995 Guibaud et al.
- 5,492,327 A 2/1996 Biafore, Jr.
- 5,544,885 A 8/1996 Besnard et al.
- 5,564,705 A 10/1996 Kobayashi et al.
- 5,593,356 A 1/1997 Takeda
- 5,658,206 A 8/1997 Antonious
- D398,355 S 9/1998 Chou et al.
- D400,945 S 11/1998 Gilbert et al.
- D409,702 S 5/1999 Gallagher
- D418,886 S 1/2000 Feng
- D420,080 S 2/2000 Gates
- D422,043 S 3/2000 Kubica et al.
- 6,042,486 A 3/2000 Gallagher
- D424,146 S 5/2000 Maltby
- D428,632 S 7/2000 Besnard et al.
- D428,634 S 7/2000 Nagai et al.
- D429,299 S 8/2000 Kubica et al.



# US D596,257 S

Page 2

## U.S. PATENT DOCUMENTS

D494,240 S	8/2004	Schweigert et al.			
D494,648 S	8/2004	Schweigert et al.			
D494,649 S	8/2004	Imamoto			
D495,390 S	8/2004	Pinder			
D500,350 S	12/2004	Schweigert et al.			
D500,351 S	12/2004	Schweigert et al.			
D501,237 S	1/2005	Madore			
D502,237 S	2/2005	Schweigert et al.			
6,855,066 B2	2/2005	Best			
D502,975 S	3/2005	Schweigert et al.			
D503,204 S	3/2005	Nicolette et al.			
D504,925 S	5/2005	Schweigert et al.			
D505,171 S	5/2005	Schweigert et al.			
D505,466 S	5/2005	Lang et al.			
D507,321 S	7/2005	Dogan et al.			
D507,614 S	7/2005	Schweigert et al.			
D508,099 S	8/2005	Schweigert et al.			
D509,868 S	9/2005	Imamoto			
D510,115 S	9/2005	Lang et al.			
D514,183 S	1/2006	Schweigert et al.			
D517,625 S	3/2006	Sanchez et al.			
D523,501 S	6/2006	Nicolette et al.			
D530,759 S *	10/2006	Nicolette et al.	.....	D21/749	
D530,760 S *	10/2006	Schweigert et al.	.....	D21/749	
D532,849 S	11/2006	Nicolette et al.			
D534,228 S	12/2006	Nicolette et al.			
D534,597 S *	1/2007	Nicolette et al.	.....	D21/749	
D536,759 S	2/2007	Schweigert et al.			
D537,494 S	2/2007	Jertson et al.			
D538,366 S *	3/2007	Nicolette et al.	.....	D21/748	
D539,864 S	4/2007	Nicolette et al.			
D540,898 S	4/2007	Solheim et al.			
D541,360 S *	4/2007	Schweigert et al.	.....	D21/747	
7,207,900 B2	4/2007	Nicolette et al.			
D549,295 S	8/2007	Nagai et al.			
D553,704 S	10/2007	Nunez et al.			
D554,218 S	10/2007	Ruggiero et al.			
D556,279 S	11/2007	Lorentzen et al.			
D561,855 S *	2/2008	Schweigert et al.	.....	D21/747	
D562,423 S	2/2008	Foster et al.			
D562,925 S *	2/2008	Schweigert et al.	.....	D21/759	
7,338,387 B2	3/2008	Nycum et al.			
7,351,164 B2	4/2008	Schweigert et al.			
D570,435 S	6/2008	Sanchez et al.			
D570,935 S	6/2008	Nicolette et al.			
D570,936 S	6/2008	Schweigert et al.			
D570,942 S	6/2008	Chen et al.			
D571,422 S	6/2008	Schweigert et al.			
D571,425 S	6/2008	Chen et al.			
D571,881 S	6/2008	Nicolette et al.			
D572,329 S *	7/2008	Nicolette et al.	.....	D21/759	
D573,219 S *	7/2008	Schweigert et al.	.....	D21/759	
7,396,299 B2	7/2008	Nicolette et al.			
D577,783 S	9/2008	Schweigert et al.			
D578,590 S	10/2008	Schweigert et al.			
D580,503 S	11/2008	Roach et al.			
D581,000 S	11/2008	Nicolette et al.			
D581,004 S	11/2008	Schweigert et al.			
2005/0009632 A1	1/2005	Schweigert et al.			
2007/0225084 A1	9/2007	Schweigert et al.			

## OTHER PUBLICATIONS

Michael R. Nicolette, et al., "Golf Clubs and Methods of Manufacture," U.S. Appl. No. 11/828,033, filed Jul. 25, 2007.  
Bradley D. Schweigert, et al., "Golf Club Heads and Methods to Manufacture Golf Club Heads," U.S. Appl. No. 11/959,316, filed Dec. 18, 2007.  
Michael R. Nicolette, et al., "Golf Iron Head," U.S. Appl. No. 29/282,628, filed Jul. 25, 2007.  
Bradley D. Schweigert, et al., "Golf Club Head," U.S. Appl. No. 29/332,618, filed Feb. 20, 2009.  
Bradley D. Schweigert, et al., "Golf Club Head," U.S. Appl. No. 29/332,623, filed Feb. 20, 2009.  
Marty R. Jertson, et al., "Badge for a Golf Club Head," U.S. Appl. No. 29/332,639, filed Feb. 20, 2009.  
Bradley D. Schweigert, et al., "Golf Club Head," U.S. Appl. No. 29/332,642, filed Feb. 20, 2009.

\* cited by examiner

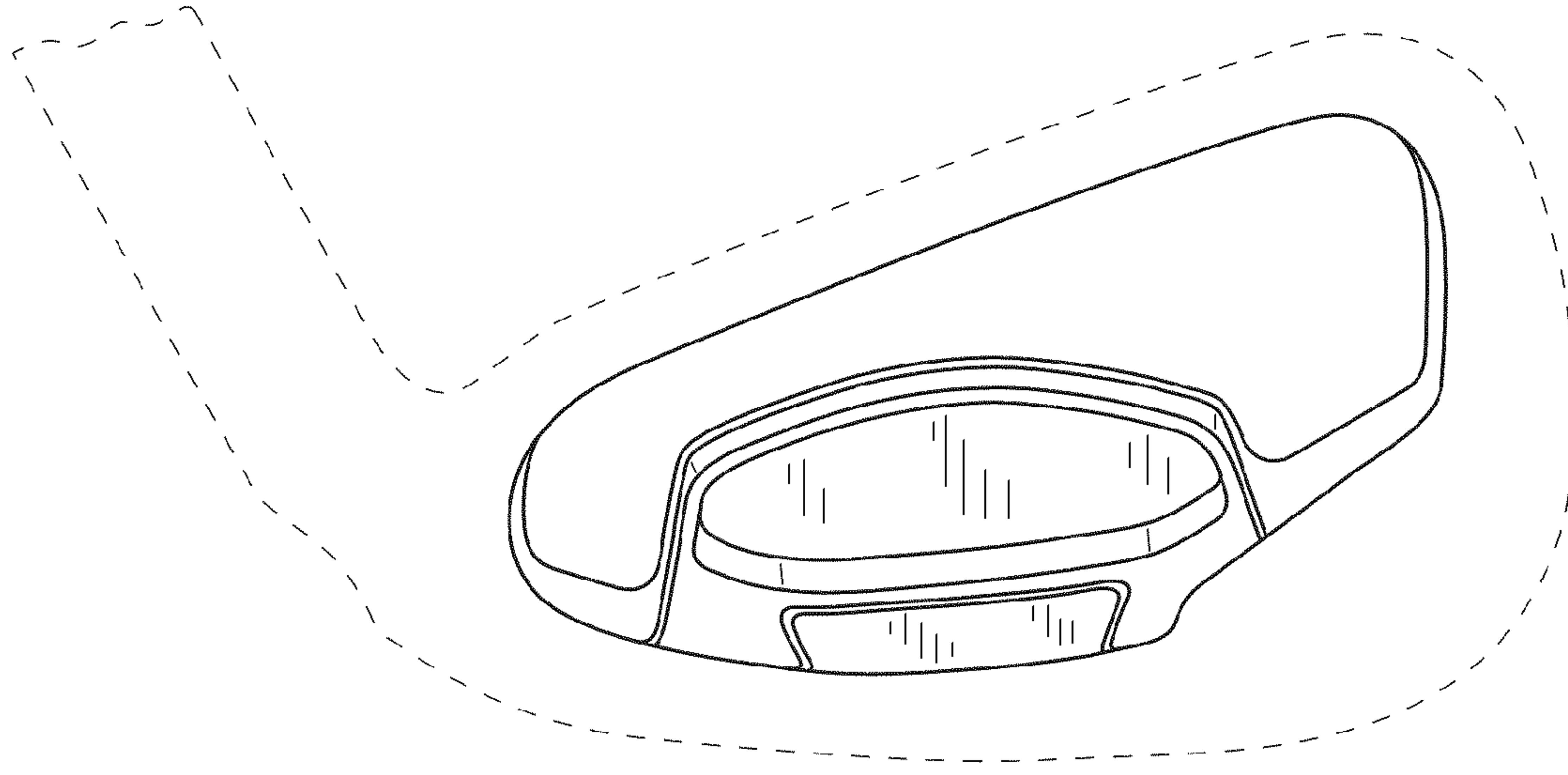


FIG. 1

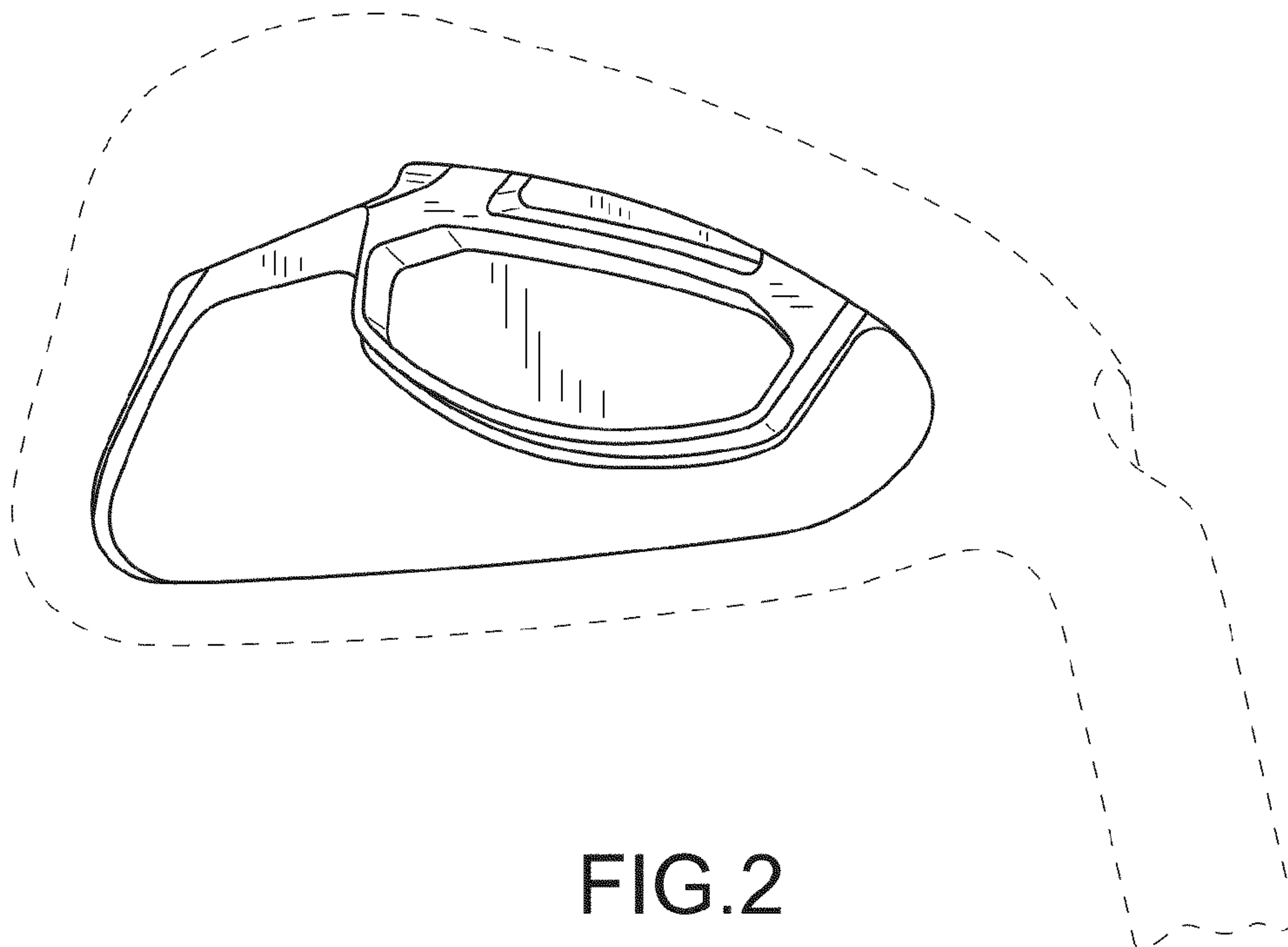


FIG. 2