



US00D596255S

(12) **United States Design Patent**
Oldknow

(10) **Patent No.:** **US D596,255 S**
(45) **Date of Patent:** **** Jul. 14, 2009**

(54) **GOLF CLUB HEAD**

(75) Inventor: **Andrew G. V. Oldknow**, Portland, OR
(US)

(73) Assignee: **NIKE, Inc.**, Beaverton, OR (US)

(**) Term: **14 Years**

(21) Appl. No.: **29/329,509**

(22) Filed: **Dec. 16, 2008**

(51) **LOC (9) Cl.** **21-02**

(52) **U.S. Cl.** **D21/759**

(58) **Field of Classification Search** D21/747-751,
D21/759; 473/324-331, 350
See application file for complete search history.

(56) **References Cited**

U.S. PATENT DOCUMENTS

D234,608	S	3/1975	Raymont	
4,883,274	A	11/1989	Hsien	
D359,781	S	6/1995	Allen	
D359,783	S	6/1995	Allen	
5,590,881	A	1/1997	Jernigan	
5,665,013	A	9/1997	Kobayashi	
D398,687	S *	9/1998	Miyajima et al. D21/747
D405,140	S	2/1999	Hoeflich	
D428,634	S *	7/2000	Nagai et al. D21/759
D432,611	S	10/2000	McCabe et al.	
D449,088	S	10/2001	Rollinson et al.	
D468,788	S	1/2003	Bode et al.	
6,932,717	B2	8/2005	Hou et al.	
D509,868	S *	9/2005	Imamoto D21/747
D518,538	S *	4/2006	Ines et al. D21/747
D526,036	S *	8/2006	Nishitani D21/747
7,125,343	B2	10/2006	Imamoto	

D534,609	S *	1/2007	Gilbert et al. D21/759
D540,901	S *	4/2007	Gilbert et al. D21/759
D541,363	S *	4/2007	Gilbert et al. D21/759
D579,996	S *	11/2008	Gilbert et al. D21/747
D588,667	S *	3/2009	Oldknow D21/759
D589,105	S *	3/2009	Oldknow D21/759
D589,108	S *	3/2009	Oldknow D21/759

OTHER PUBLICATIONS

Golfsmith 1997, p. 11, Golfsmith Lady Sterling.
Edwin Watts Golf Spring 2000, p. 80, T-Zoid True Forged Irons.
Edwin Watts Golf Holiday 2004, p. 28, D15 Distance Irons.

* cited by examiner

Primary Examiner—Mitchell I Siegel

(74) *Attorney, Agent, or Firm*—Banner & Witcoff, Ltd.

(57) **CLAIM**

The ornamental design for a golf club head, as shown and described.

DESCRIPTION

FIG. 1 is a perspective view of a golf club head showing my new design;

FIG. 2 is a rear view thereof;

FIG. 3 is a heel end view thereof;

FIG. 4 is a bottom view thereof;

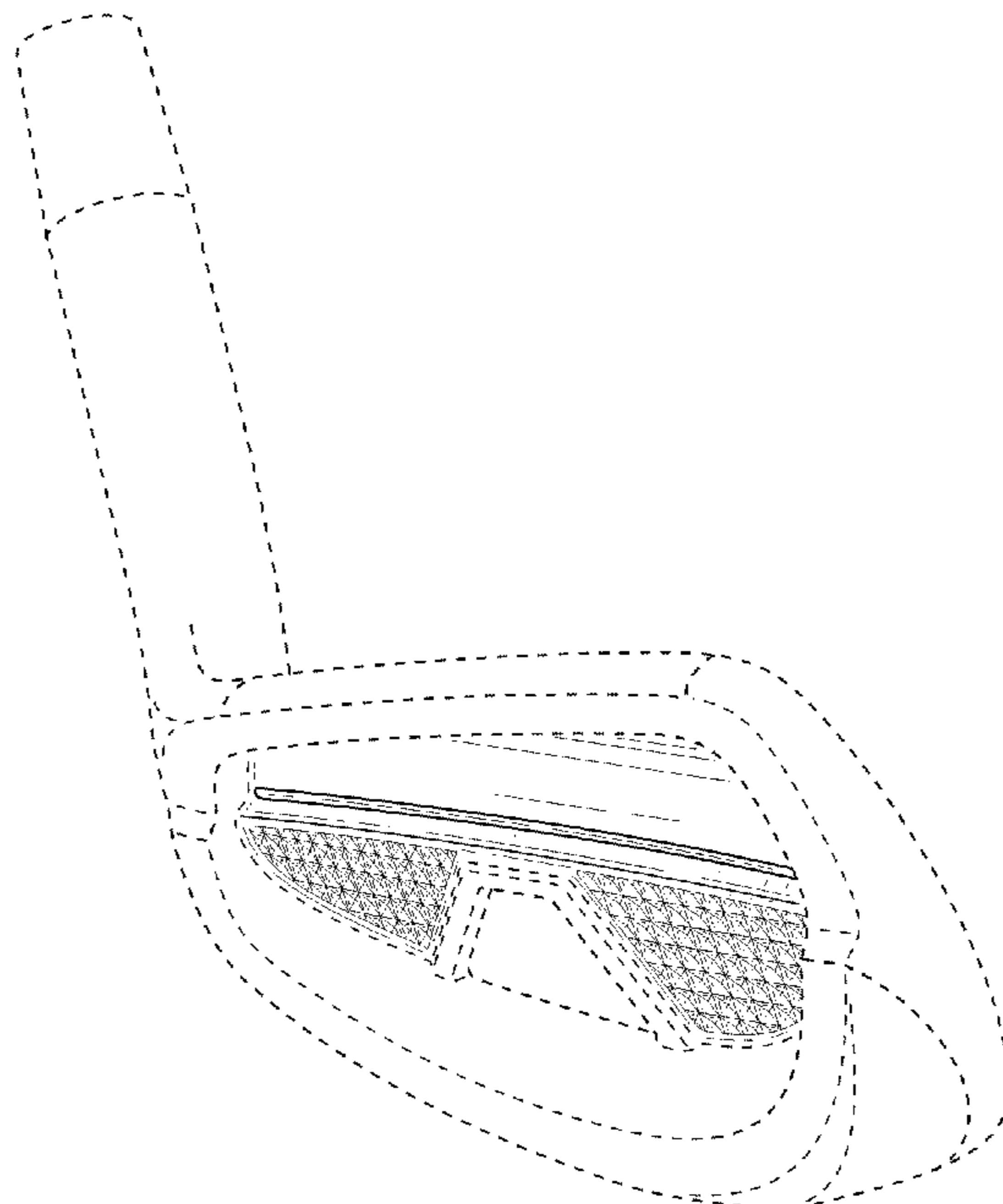
FIG. 5 is a front view thereof;

FIG. 6 is a toe end view thereof; and,

FIG. 7 is a top view thereof.

The broken line showing of the remainder of the gold club head is for environmental purposes only and forms no part of the claimed design.

1 Claim, 5 Drawing Sheets



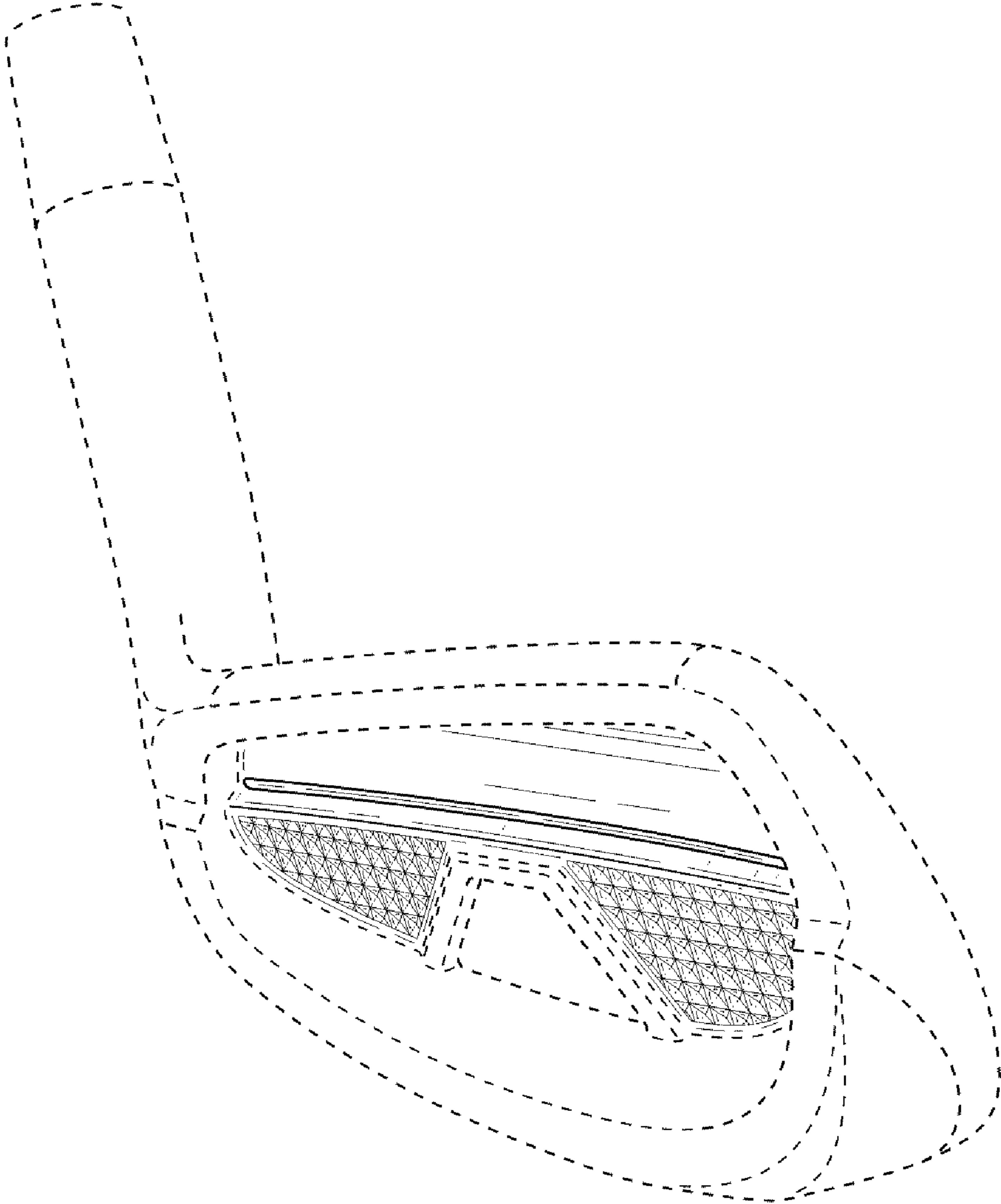


FIG. 1

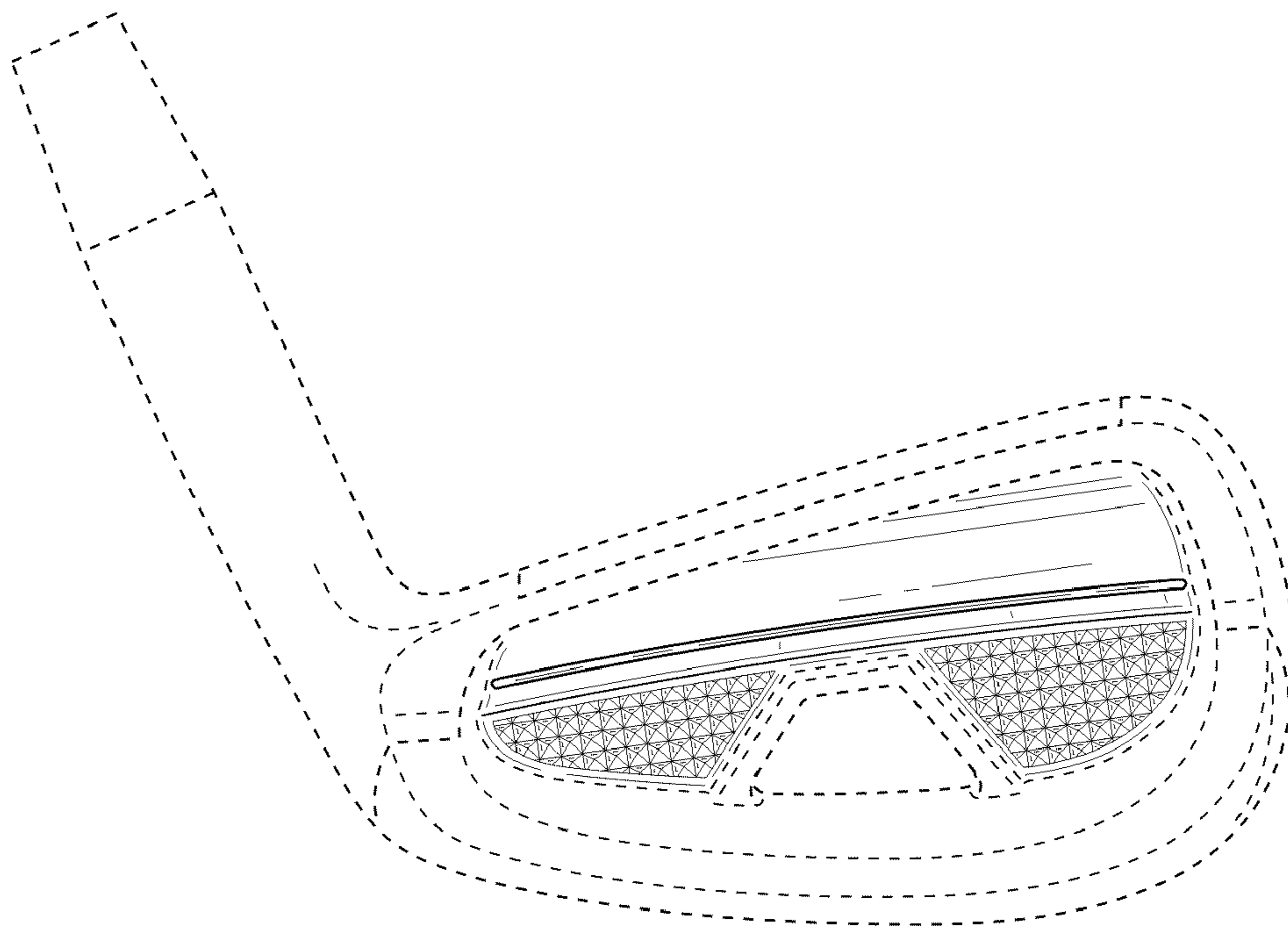


FIG. 2

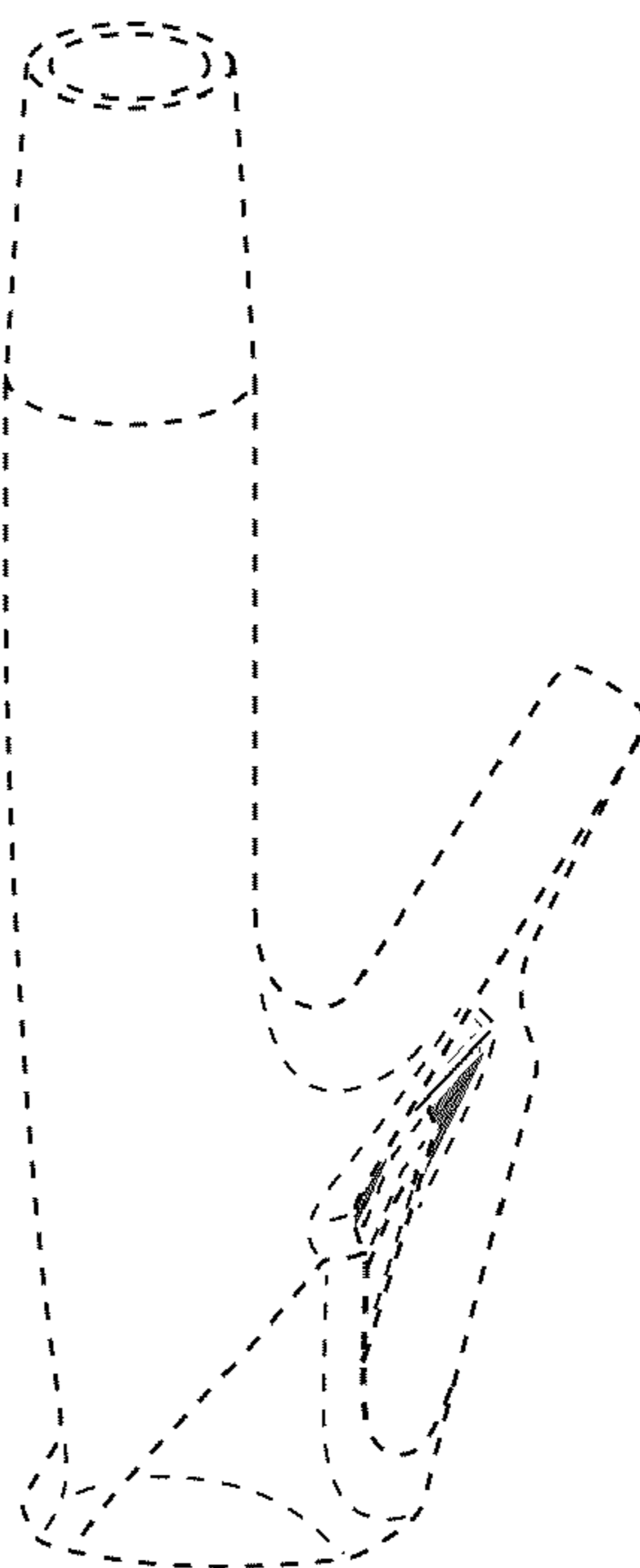


FIG. 3

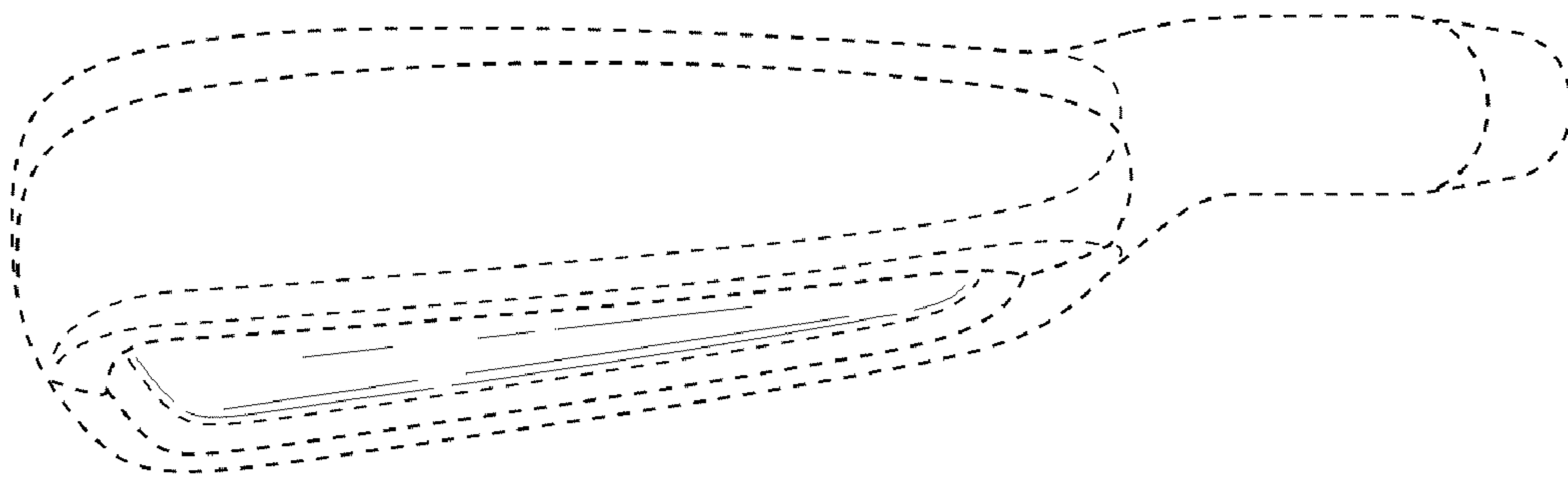


FIG. 4

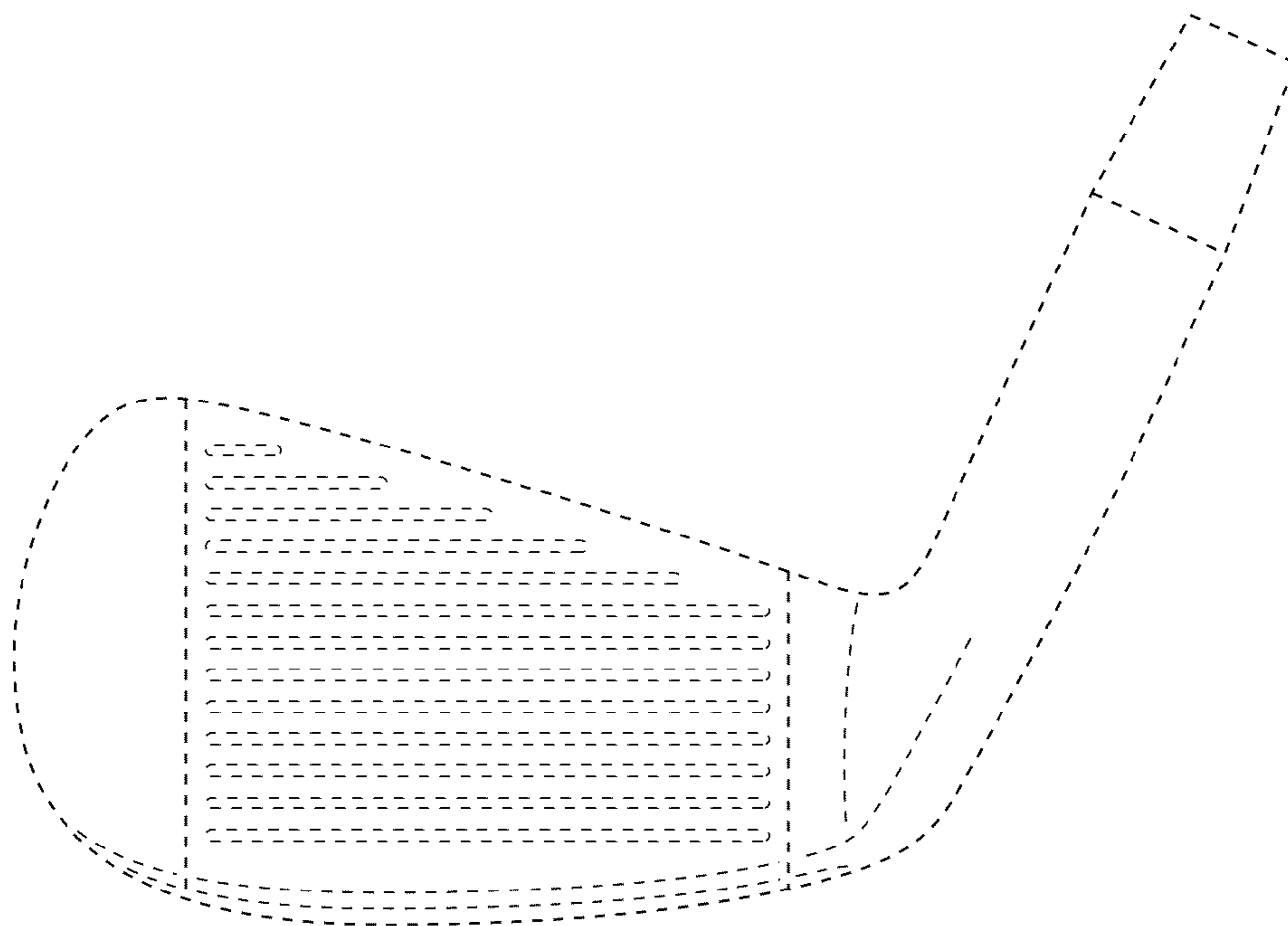


FIG. 5

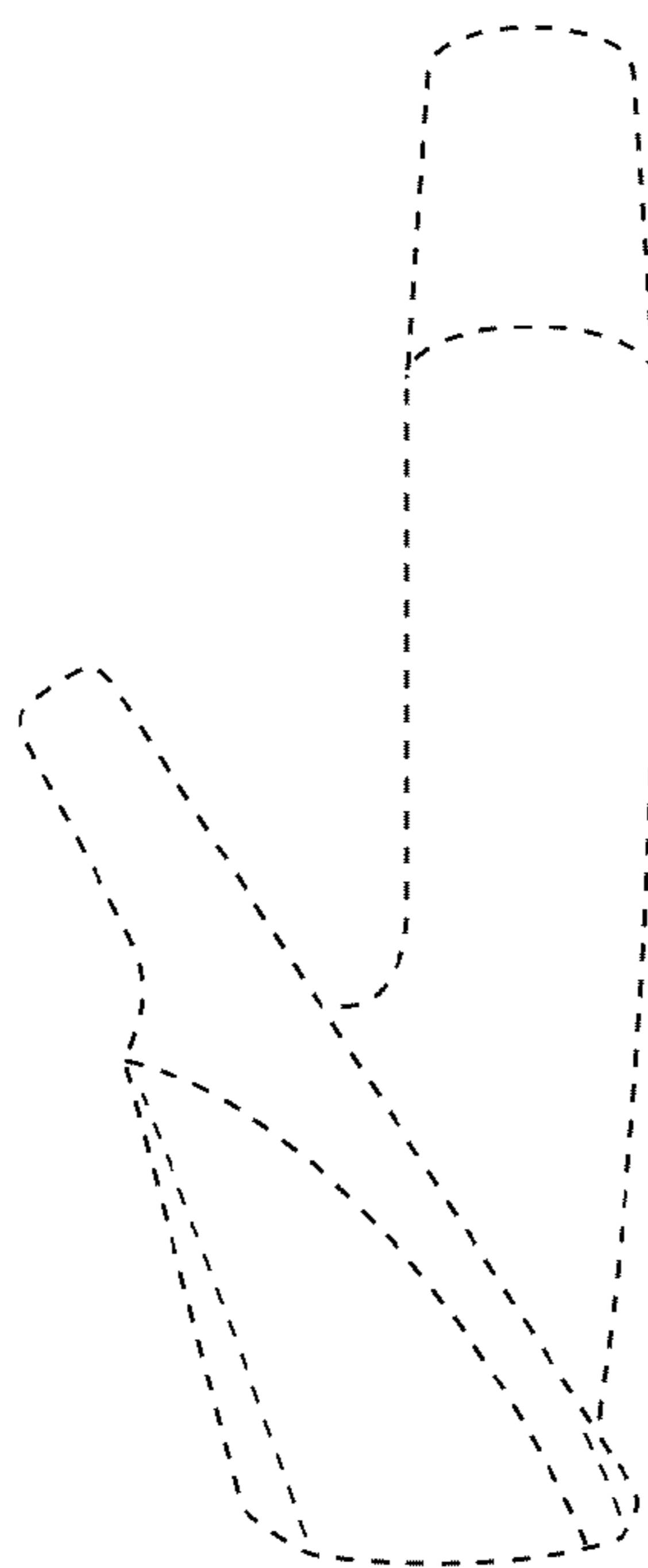


FIG. 6

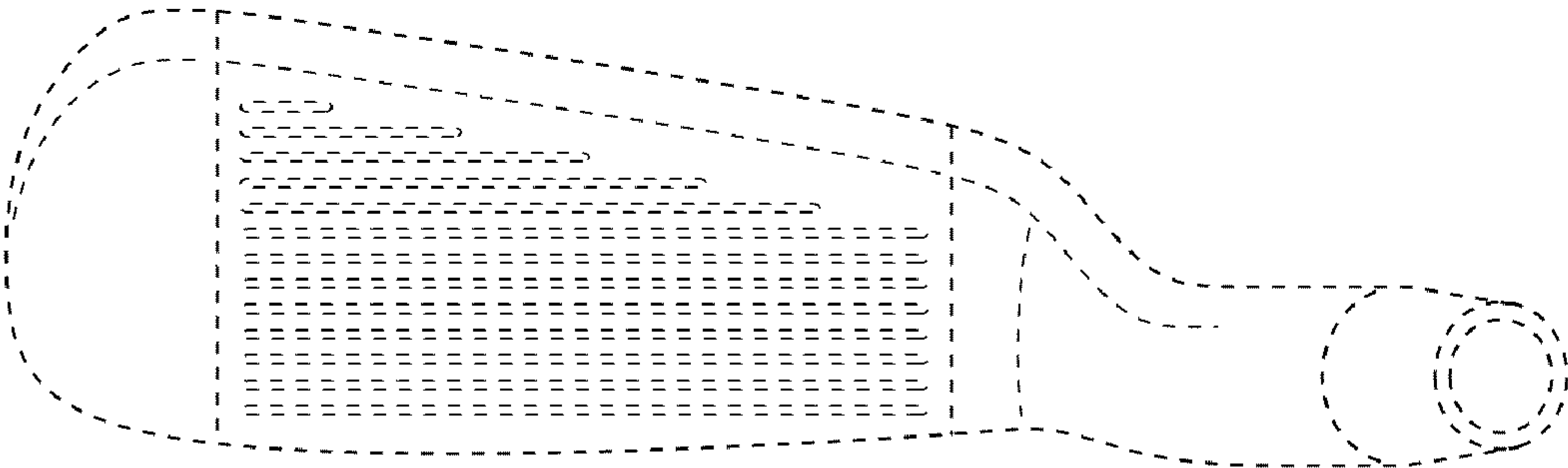


FIG. 7