



US00D596247S

(12) **United States Design Patent**
Wu

(10) **Patent No.:** **US D596,247 S**
(45) **Date of Patent:** **** Jul. 14, 2009**

(54) **COVER OF A VIBRATION TRAINER BASE**

(76) **Inventor:** **Mu-Chuan Wu**, No. 462-7, Chung-Shan Rd., Hsi-Kang Chun, Hsi-Kang Hsiang, Tainan Hsien (TW)

(**) **Term:** **14 Years**

(21) **Appl. No.:** **29/309,521**

(22) **Filed:** **Aug. 26, 2008**

(51) **LOC (9) Cl.** **21-02**

(52) **U.S. Cl.** **D21/694; D21/671**

(58) **Field of Classification Search** D21/662, D21/671, 686, 688, 689, 692; 601/23, 49, 601/51, 66, 70, 90; 482/27, 51, 145, 146, 482/91, 112, 113; D6/349

See application file for complete search history.

(56) **References Cited**

U.S. PATENT DOCUMENTS

- D318,958 S * 8/1991 Ahlstrom et al. D6/349
- D330,235 S * 10/1992 Traetta et al. D21/671
- D342,298 S * 12/1993 Schnabel et al. D21/671
- D371,176 S * 6/1996 Furner D21/671
- D449,662 S * 10/2001 Monter Villar et al. D21/686
- D500,100 S * 12/2004 van der Meer D21/662
- D518,533 S * 4/2006 van der Meer D21/662
- D522,074 S * 5/2006 Dummel D21/662
- D538,358 S * 3/2007 Glier D21/662
- D548,291 S * 8/2007 Chiang D21/662

- D559,924 S * 1/2008 Wu D21/661
- D561,273 S * 2/2008 Wu D21/662
- D567,309 S * 4/2008 Schuurman et al. D21/662
- D571,416 S * 6/2008 Wu D21/662
- D574,900 S * 8/2008 Meile Marcel Tamminga .. D21/662
- D576,228 S * 9/2008 Hahn D21/668
- D586,867 S * 2/2009 Wu D21/662
- 2005/0131319 A1 * 6/2005 der Meer 601/49

* cited by examiner

Primary Examiner—Philip S Hyder

(74) *Attorney, Agent, or Firm*—Hershkovitz & Associates, LLC; Abraham Hershkovitz

(57) **CLAIM**

The ornamental design for a cover of a vibration trainer base, as shown and described.

DESCRIPTION

FIG. 1 is a perspective view of a cover of a vibration trainer base, showing my new design;

FIG. 2 is a front view thereof;

FIG. 3 is a rear view thereof;

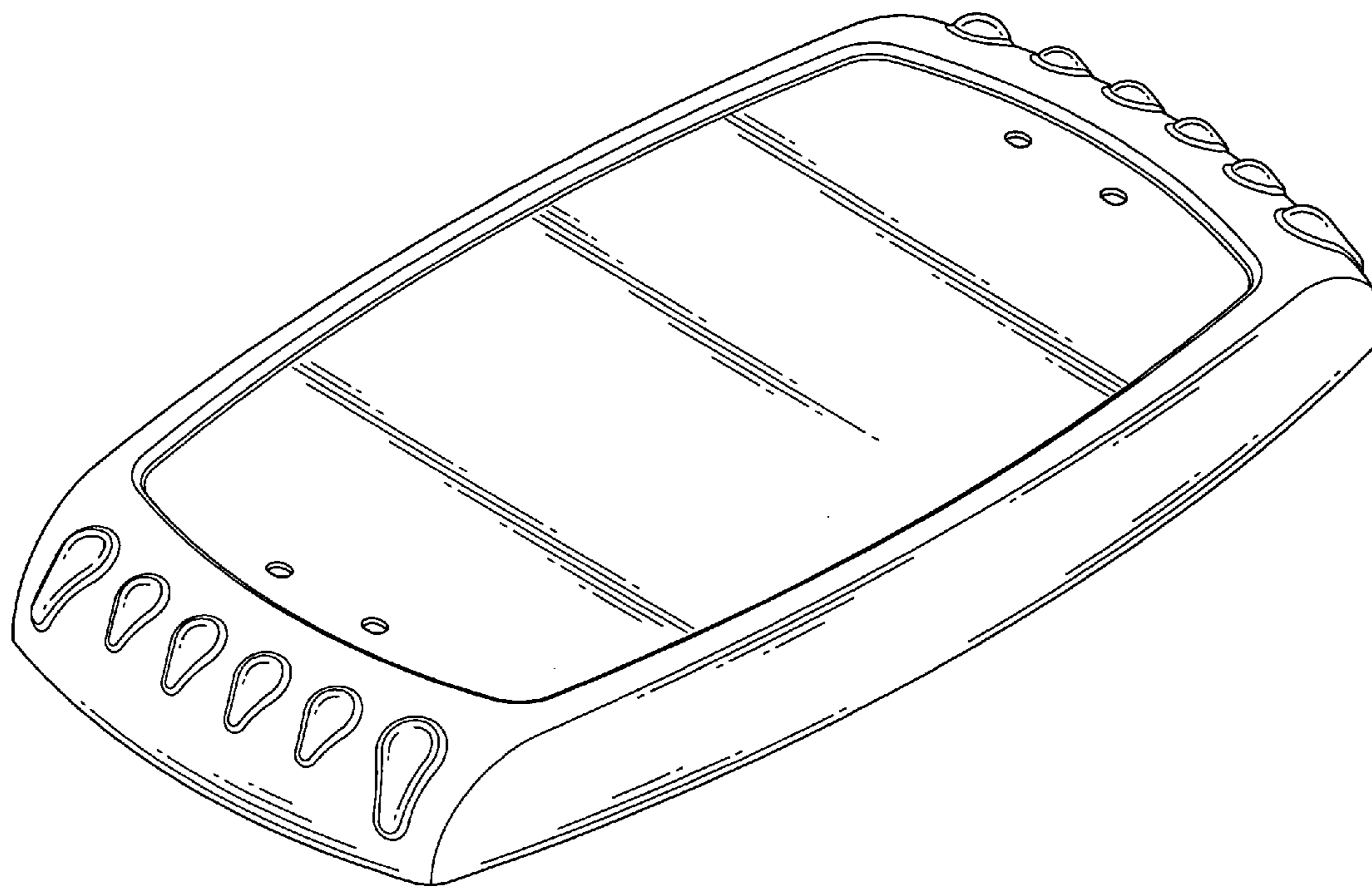
FIG. 4 is a left view thereof;

FIG. 5 is a right view thereof;

FIG. 6 is a top view thereof; and,

FIG. 7 is a bottom view thereof.

1 Claim, 5 Drawing Sheets



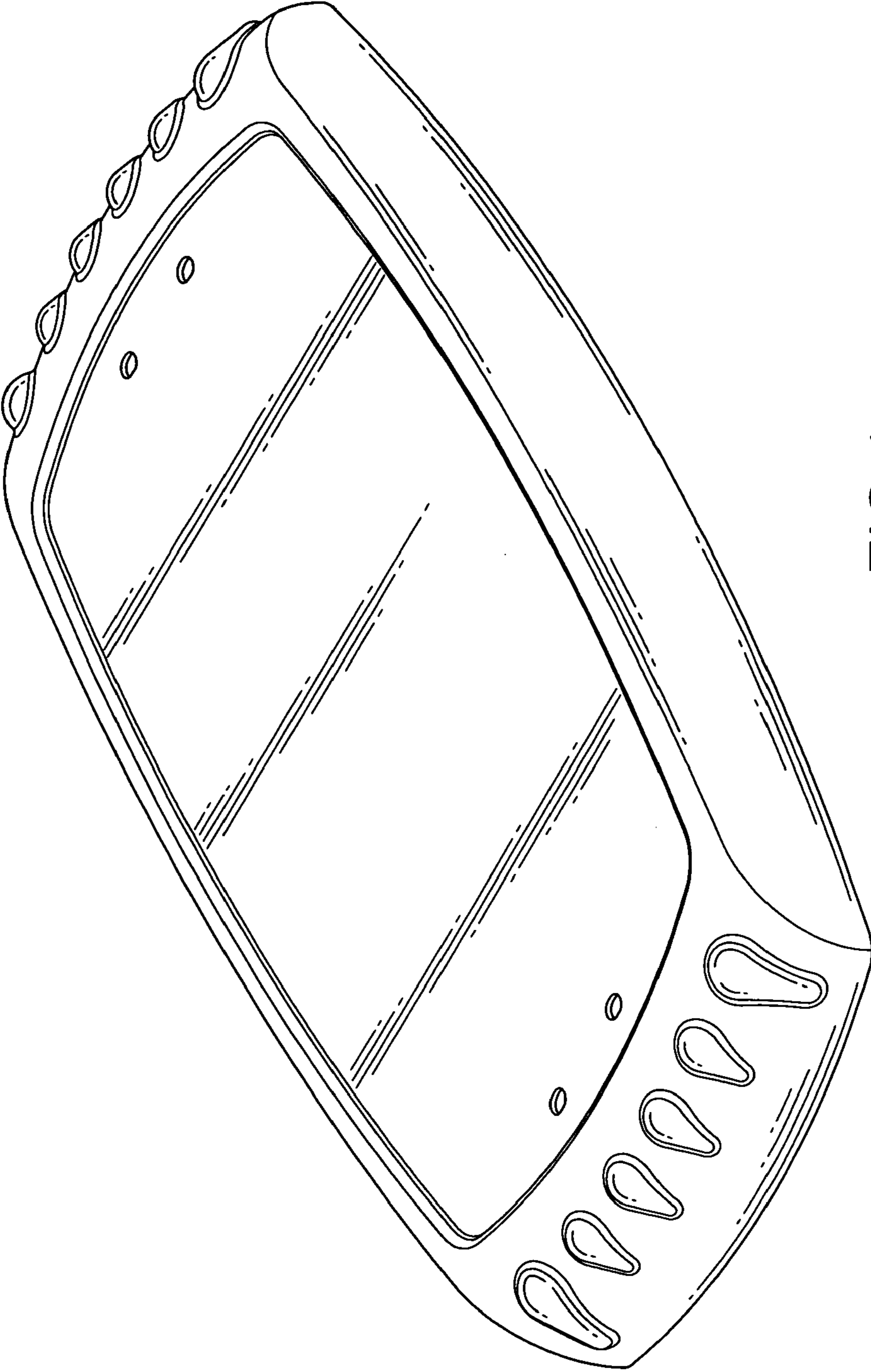


FIG.1

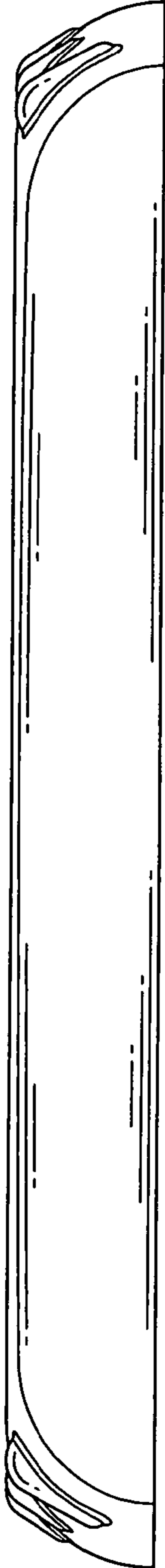


FIG. 2

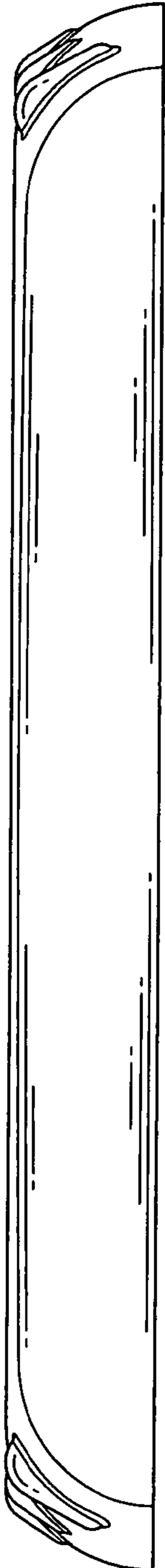


FIG. 3

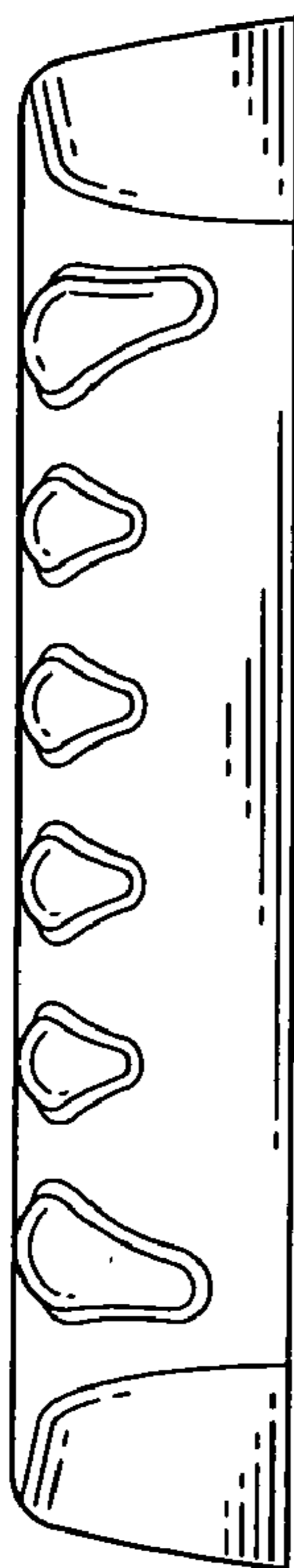


FIG. 4

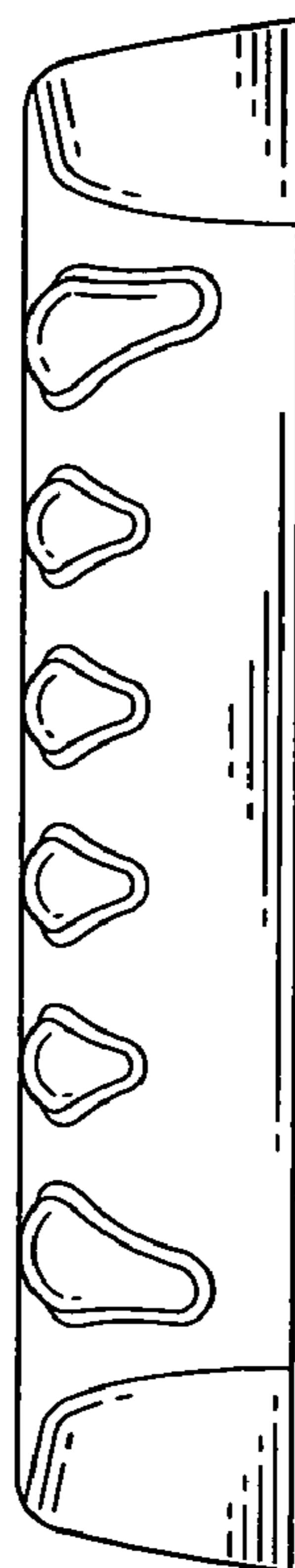


FIG. 5

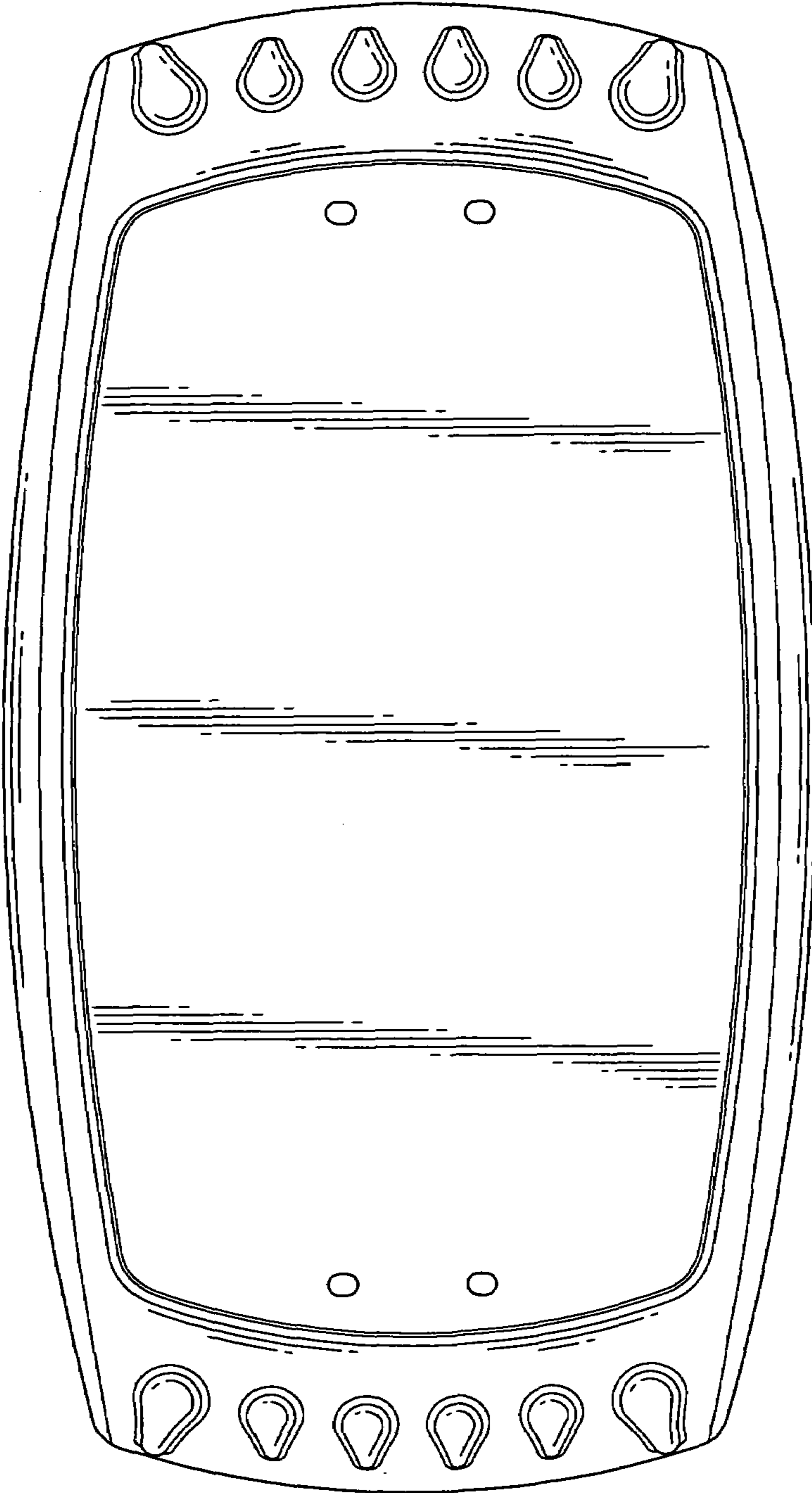


FIG.6

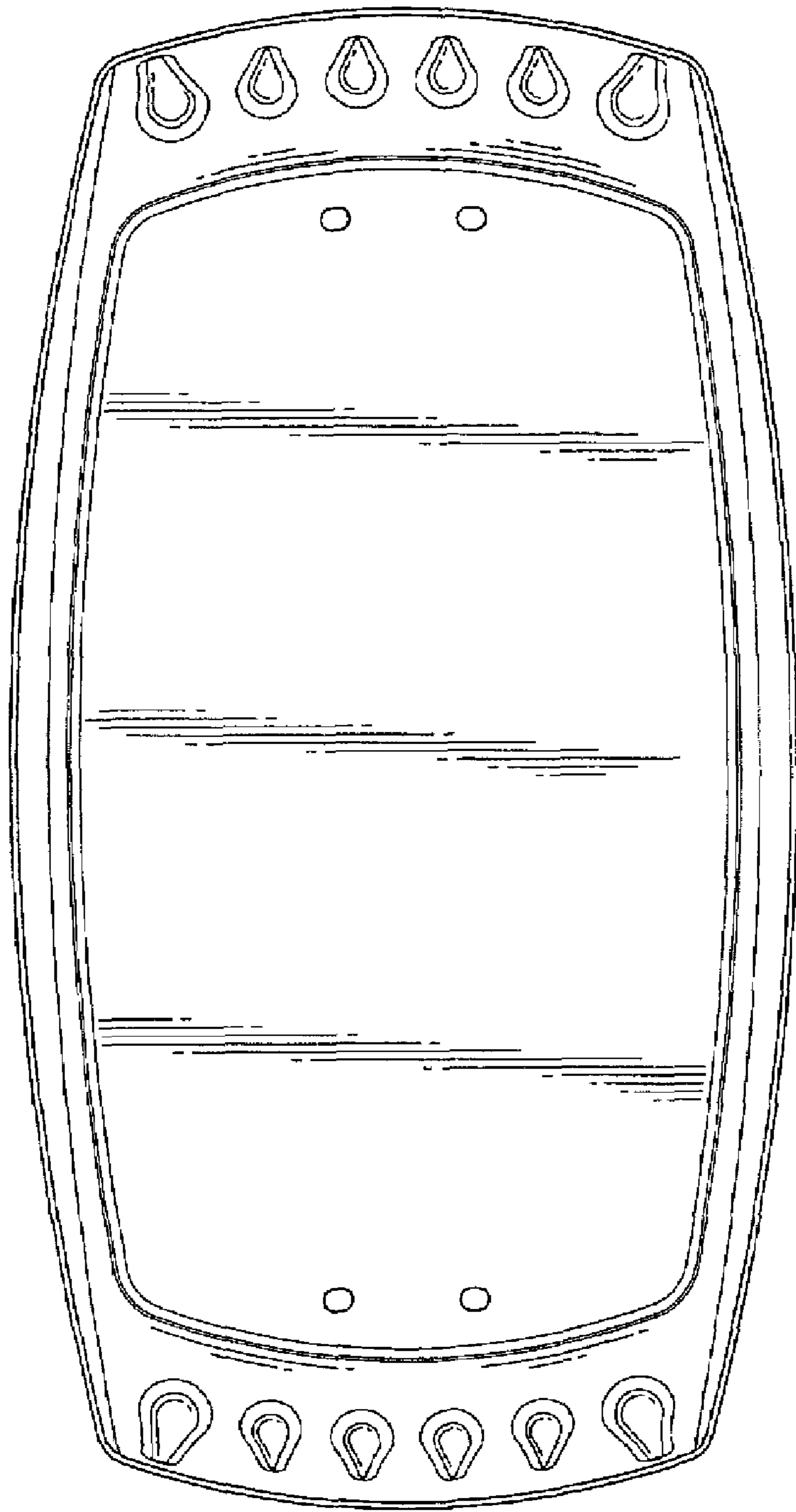


FIG.7