

US00D596246S

(12) **United States Design Patent**  
**Nofsinger**

(10) **Patent No.:** **US D596,246 S**

(45) **Date of Patent:** **\*\* Jul. 14, 2009**

(54) **THERAPEUTIC FOOT EXERCISE BLOCK**

(76) Inventor: **Thomas Irvin Nofsinger**, 10207  
Oxfordshire Dr., Nokesville, VA (US)  
20181

(\*\*) Term: **14 Years**

(21) Appl. No.: **29/318,475**

(22) Filed: **May 20, 2008**

(51) **LOC (9) Cl.** ..... **21-02**

(52) **U.S. Cl.** ..... **D21/685**

(58) **Field of Classification Search** ..... D21/662,  
D21/685, 692; D24/192, 213; 601/27; 482/79,  
482/121, 129

See application file for complete search history.

(56) **References Cited**

**U.S. PATENT DOCUMENTS**

3,088,458	A *	5/1963	Stewart	.....	601/122
3,472,508	A *	10/1969	Baker et al.	.....	482/79
4,869,499	A *	9/1989	Schiraldo	.....	482/79
5,039,093	A *	8/1991	Collier	.....	601/27
D325,968	S *	5/1992	Nofsinger	.....	D21/685

5,702,354 A \* 12/1997 DeSpain et al. .... 601/27

\* cited by examiner

*Primary Examiner*—Philip S Hyder

(57) **CLAIM**

The ornamental design for a therapeutic foot exercise block, as shown and described.

**DESCRIPTION**

FIG. 1 is a perspective view of a therapeutic foot exercise block, showing my new design;

FIG. 2 is a front elevational view of the invention;

FIG. 3 is a rear elevational view of the invention;

FIG. 4 is a left-side elevational view of the invention;

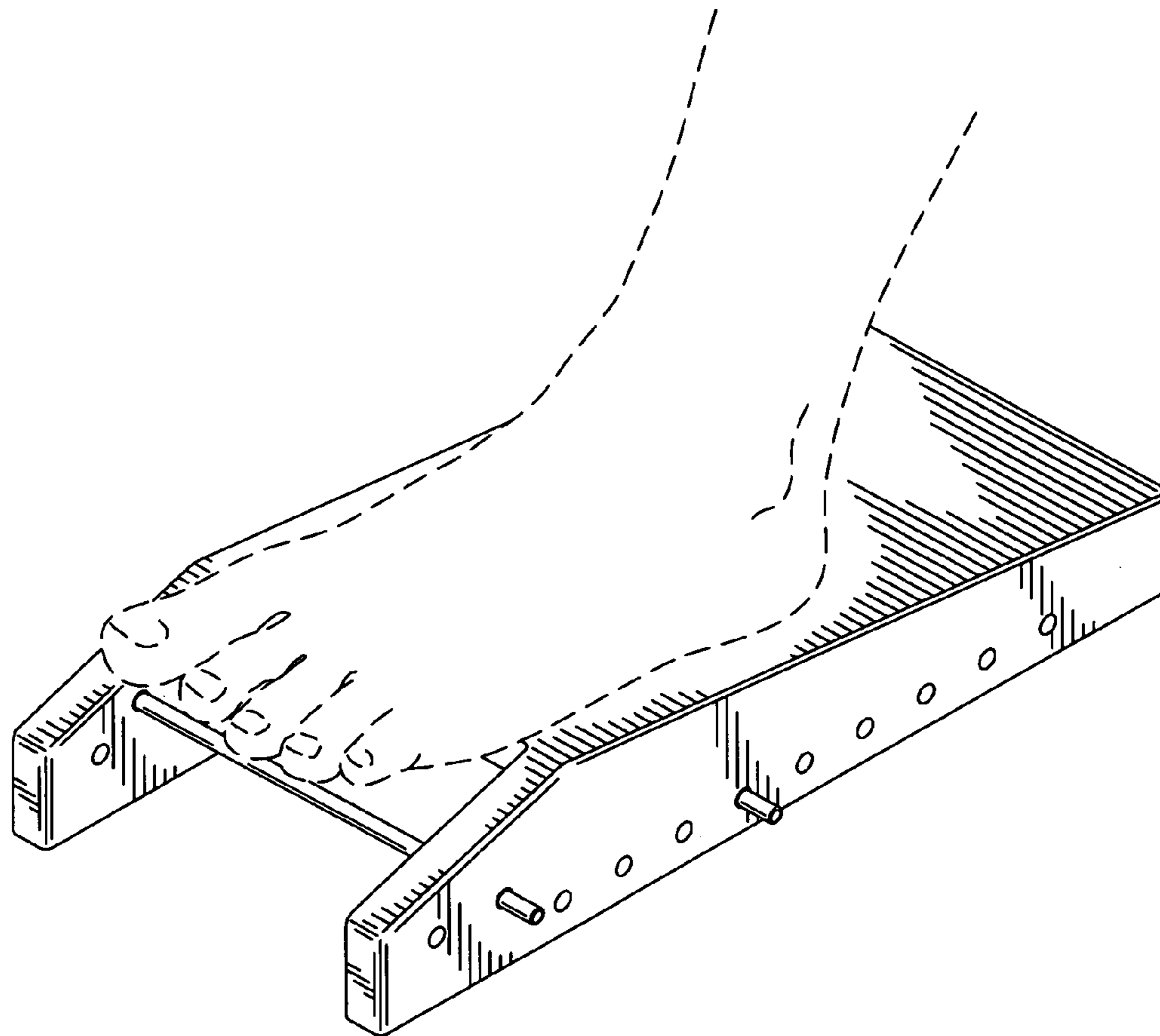
FIG. 5 is a right-side elevational view of the invention;

FIG. 6 is a top plan view of the invention; and,

FIG. 7 is a bottom plan view of the invention.

The broken lines showing a foot in FIG. 1 are included for the purpose of illustrating the invention in use, and form no part of the claimed design.

**1 Claim, 3 Drawing Sheets**



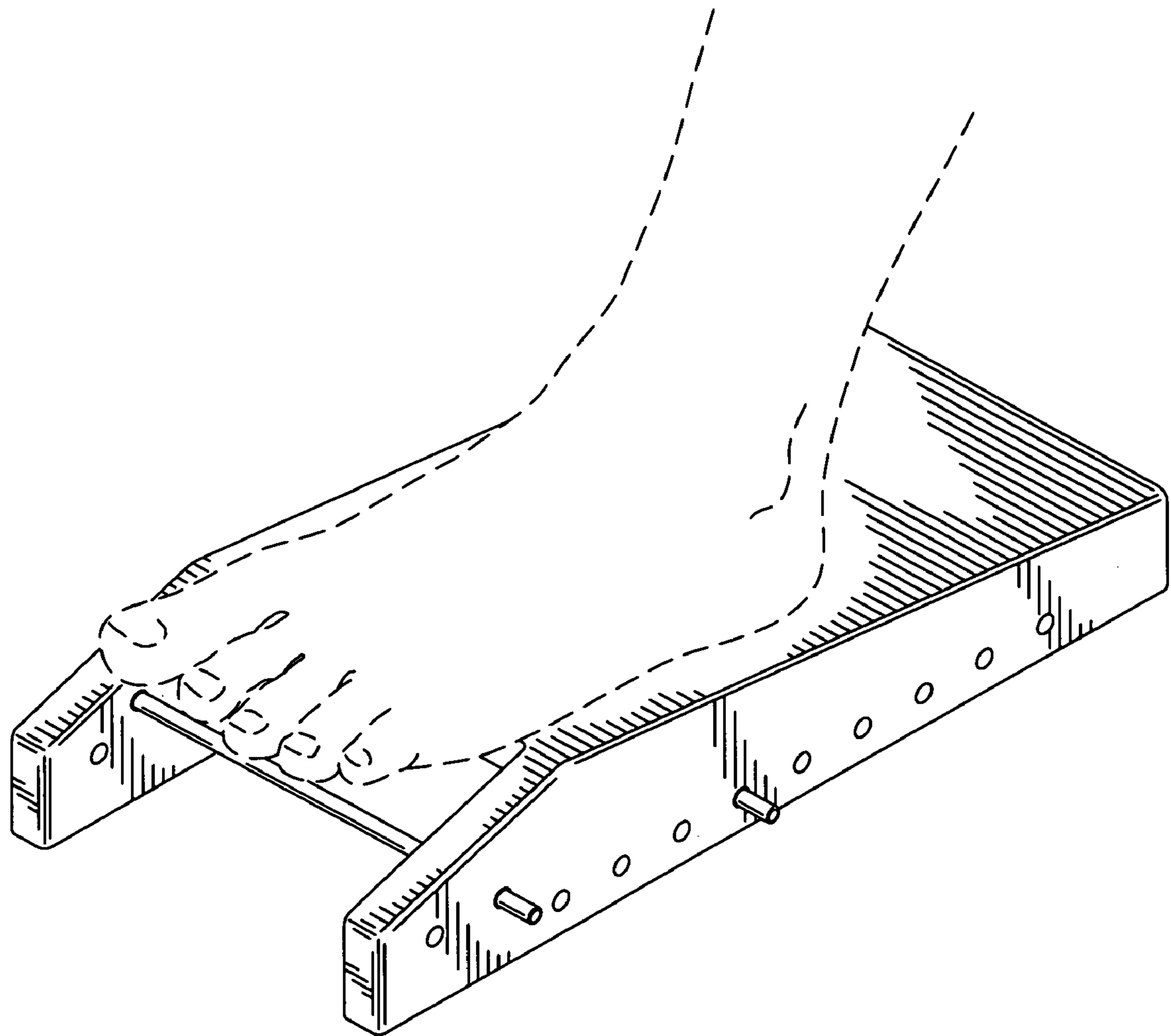


FIG. 1

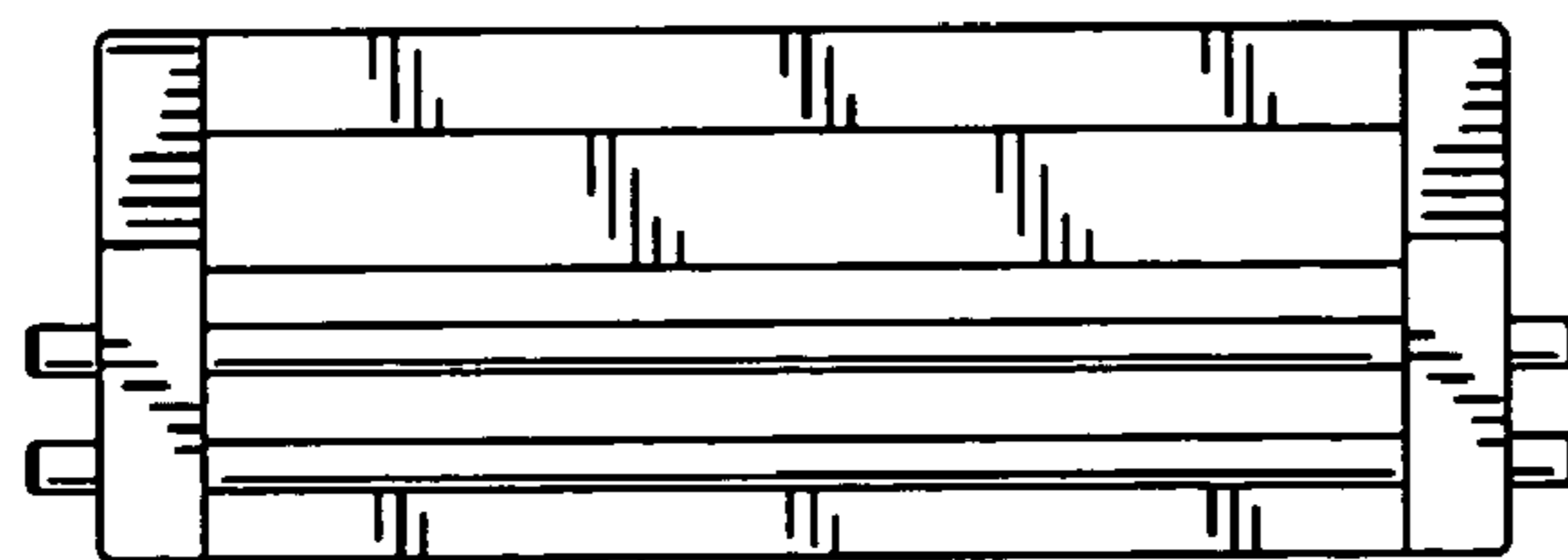


FIG. 2

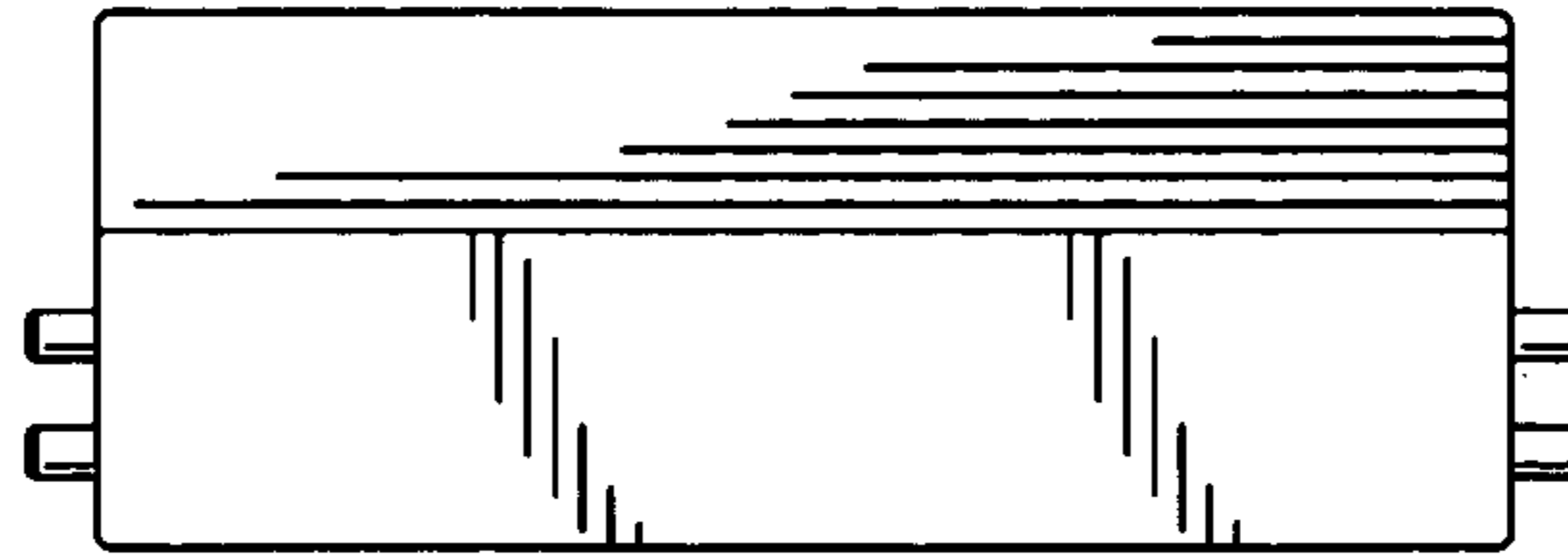


FIG. 3

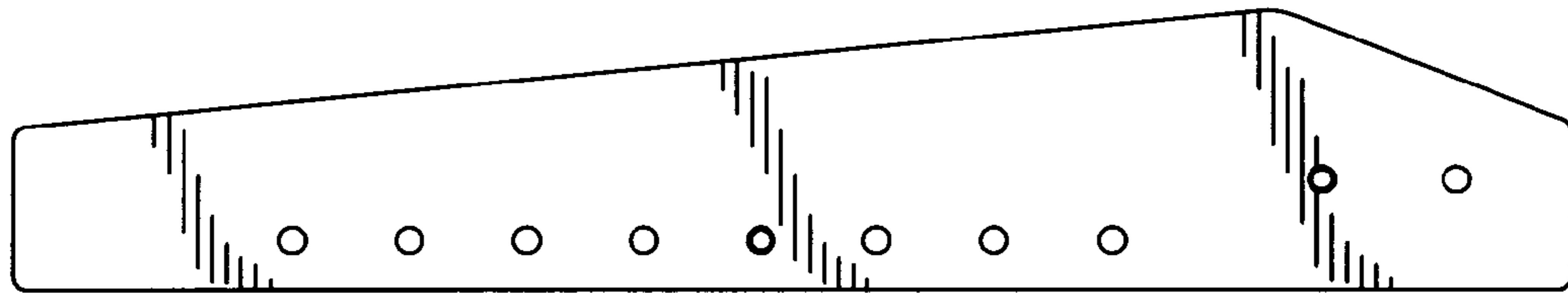


FIG. 4

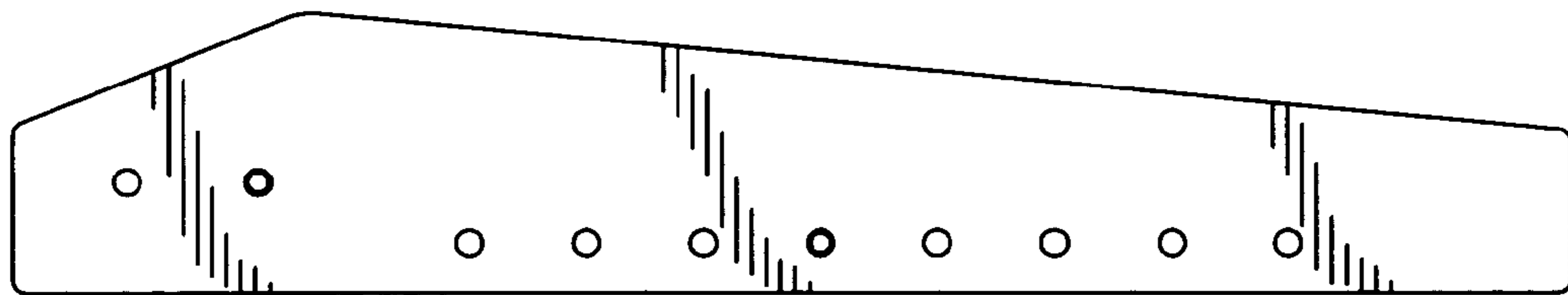


FIG. 5

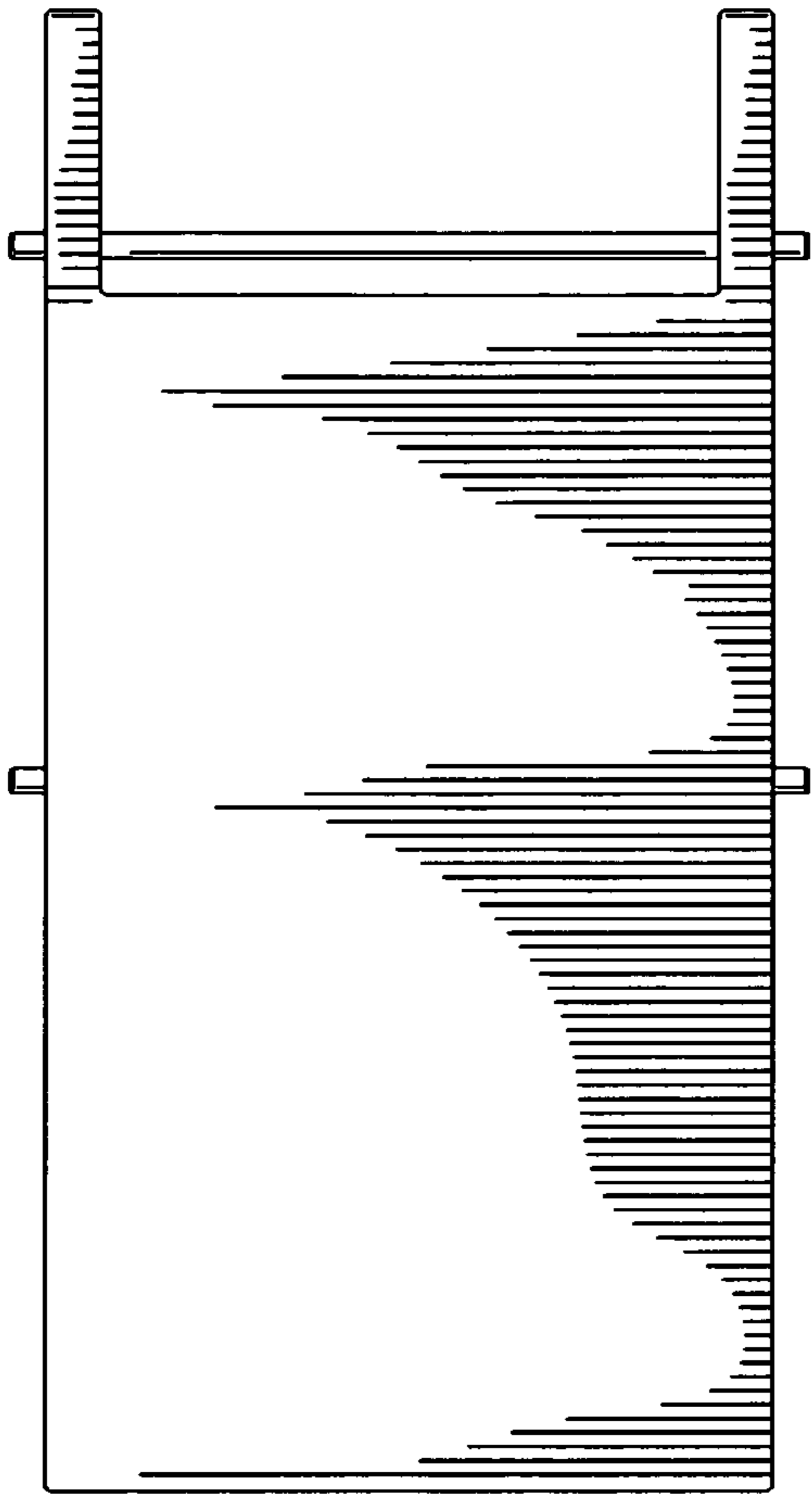


FIG. 6



FIG. 7