



US00D596245S

(12) **United States Design Patent**
Tsai

(10) **Patent No.:** **US D596,245 S**

(45) **Date of Patent:** **** Jul. 14, 2009**

(54) **ROWING MASSAGE MACHINE**

7,326,159 B2 * 2/2008 Rong 482/140
7,381,171 B2 * 6/2008 Chen 482/140
D582,494 S * 12/2008 Elnekaveh D21/687

(76) Inventor: **Cheng-Ta Tsai**, 2F, No. 298, Rueiguang Rd., Neihu Dist., Taipei City (TW)

* cited by examiner

(**) Term: **14 Years**

Primary Examiner—Philip S Hyder

(21) Appl. No.: **29/309,609**

(74) *Attorney, Agent, or Firm*—Posz Law Group, PLC

(22) Filed: **Sep. 11, 2008**

(57) **CLAIM**

(51) **LOC (9) Cl.** **21-02**

The ornamental design for a rowing massage machine, as shown and described.

(52) **U.S. Cl.** **D21/674**

(58) **Field of Classification Search** D21/662,
D21/672, 673, 674, 675, 676, 692, 690; D24/200;
D6/367; 482/72, 73, 129, 133, 135, 142
See application file for complete search history.

DESCRIPTION

(56) **References Cited**

FIG. 1 is a perspective view of a rowing massage machine showing my new design;
FIG. 2 is a right side view thereof;
FIG. 3 is a left side view thereof;
FIG. 4 is a front view thereof;
FIG. 5 is a rear view thereof;
FIG. 6 is a top view thereof; and,
FIG. 7 is a bottom view thereof.

U.S. PATENT DOCUMENTS

5,573,485 A * 11/1996 Geschwender 482/112
5,833,590 A * 11/1998 Chiu et al. 482/142
D424,142 S * 5/2000 McBride et al. D21/690
6,231,489 B1 * 5/2001 McBride et al. 482/142
7,125,366 B1 * 10/2006 Yeh 482/140

1 Claim, 6 Drawing Sheets



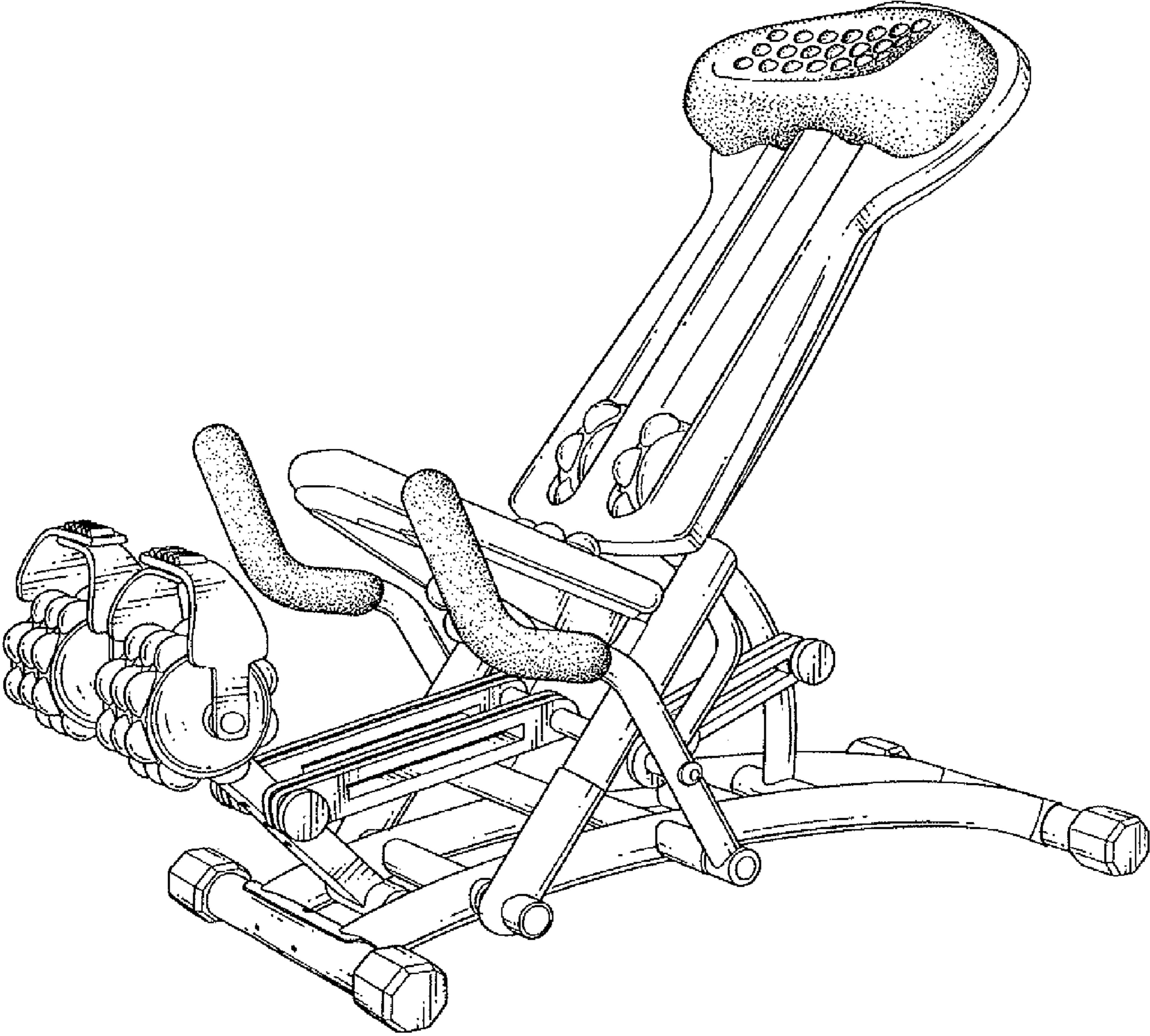


FIG. 1

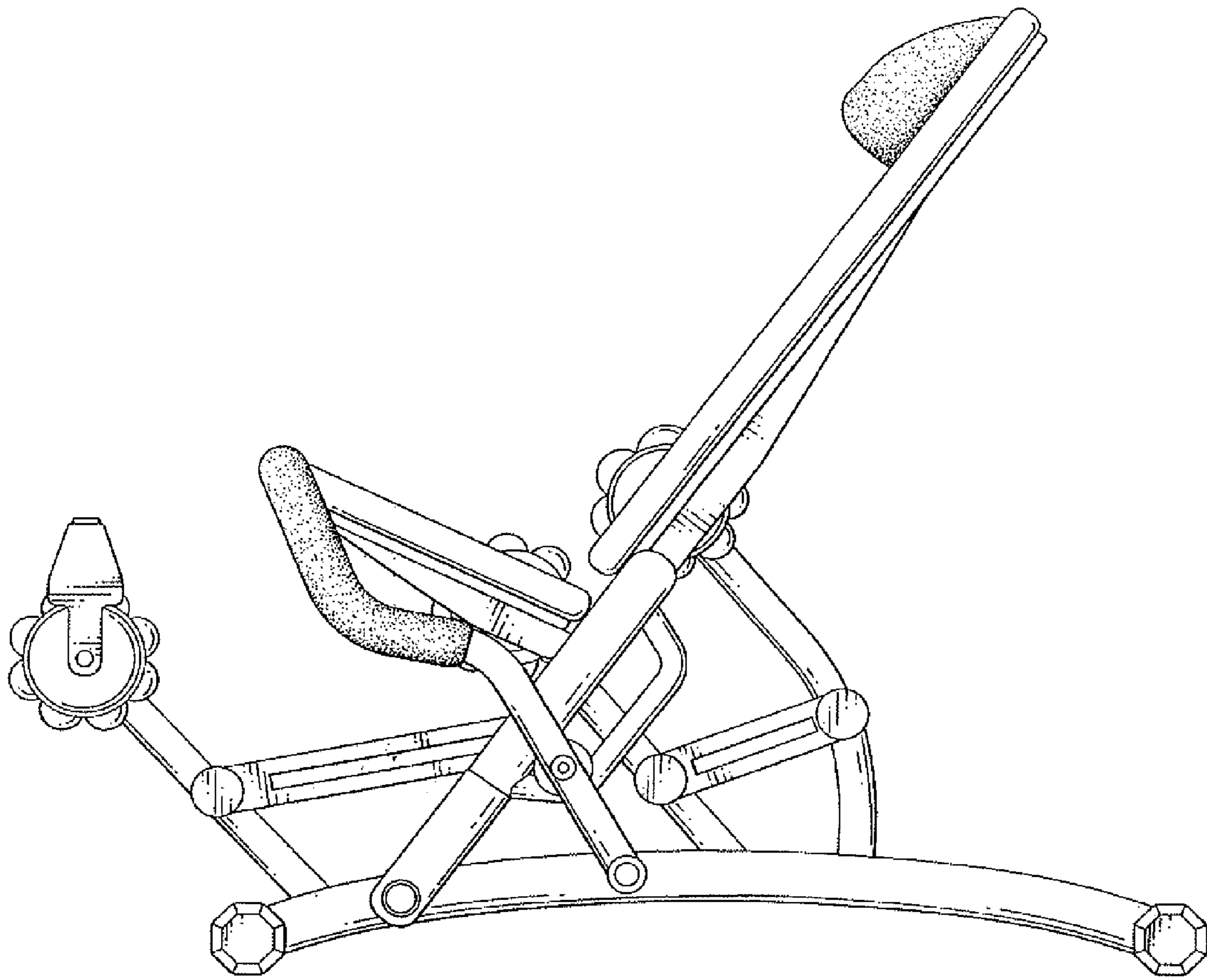


FIG. 2

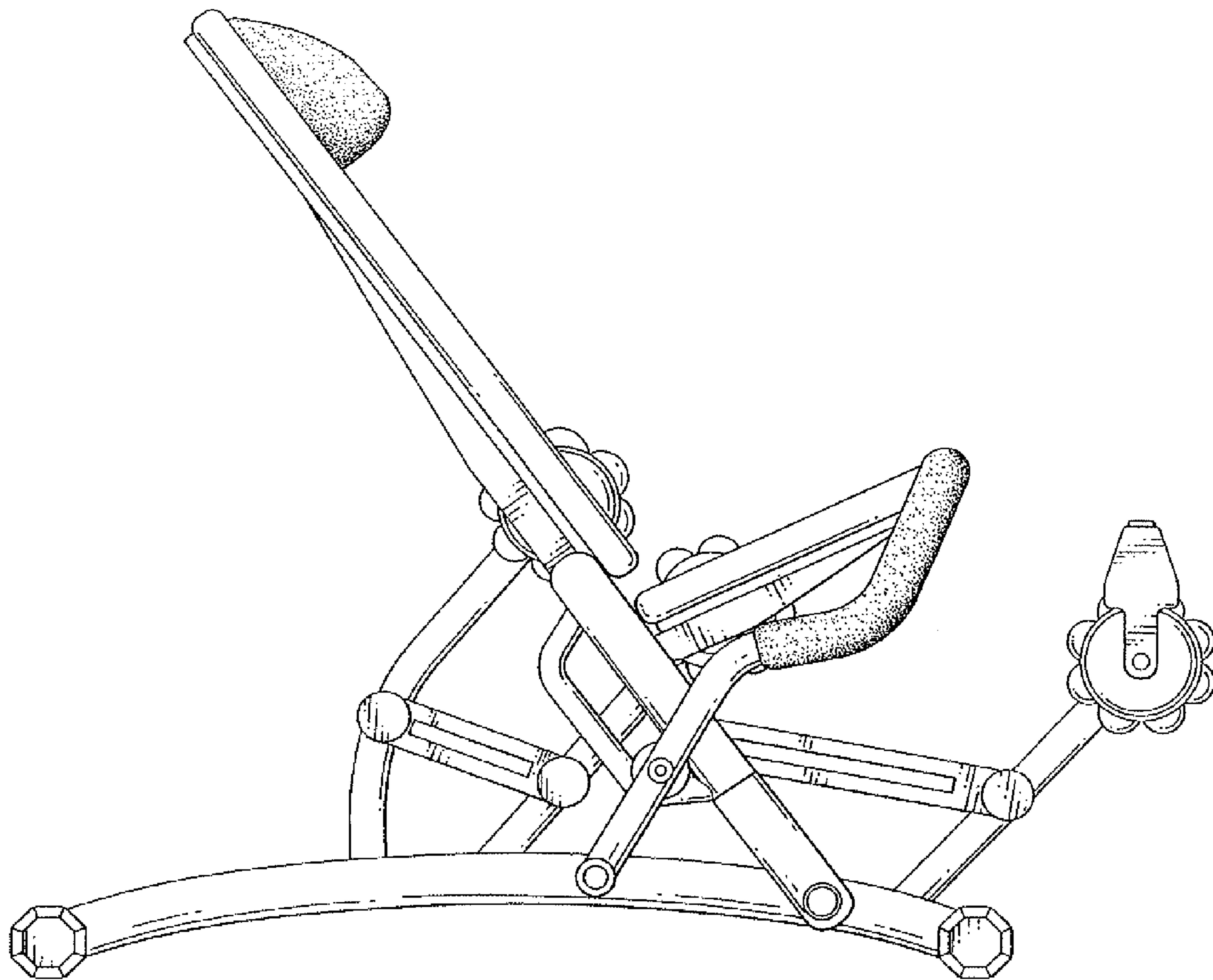


FIG. 3

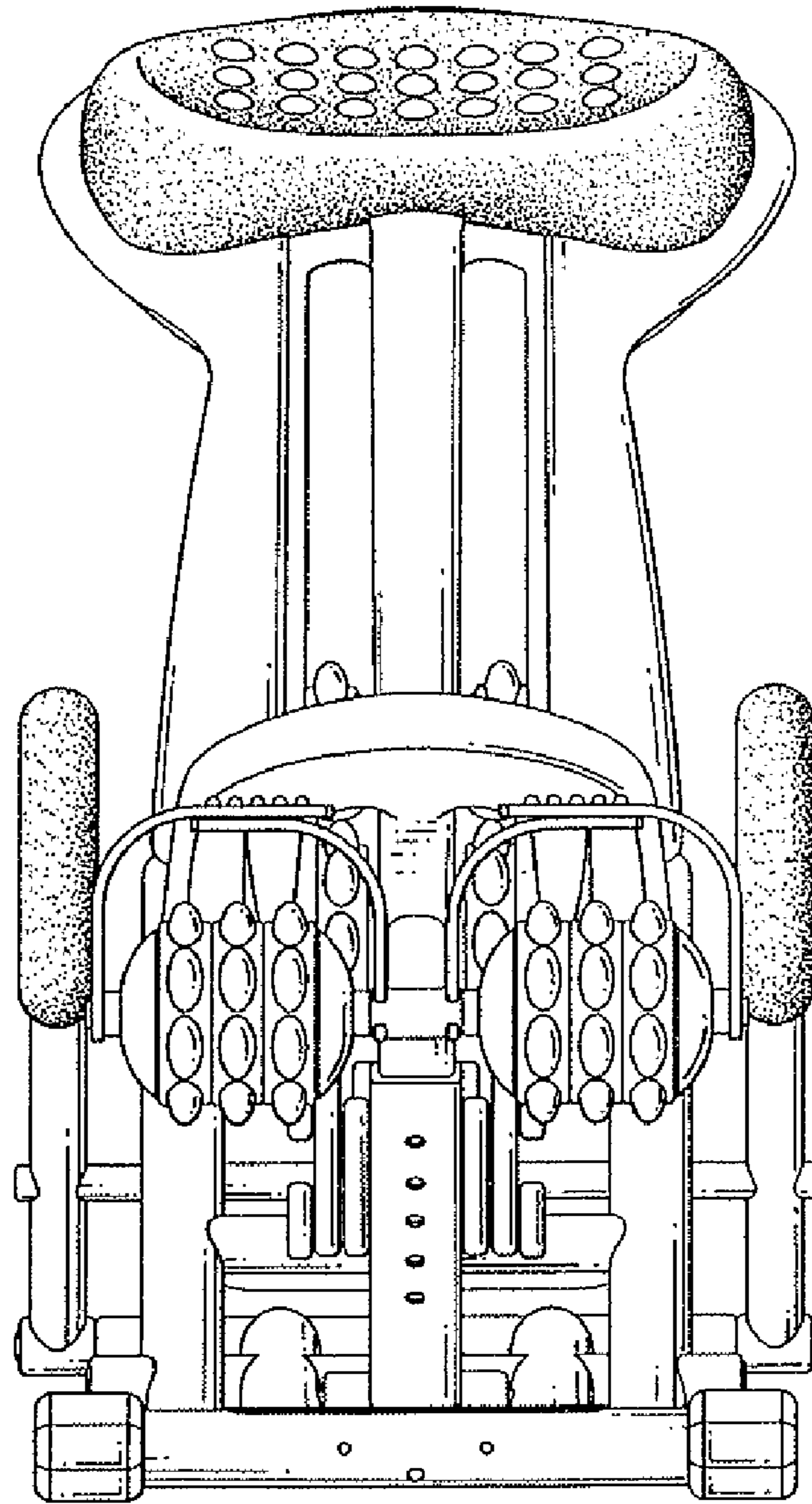


FIG. 4

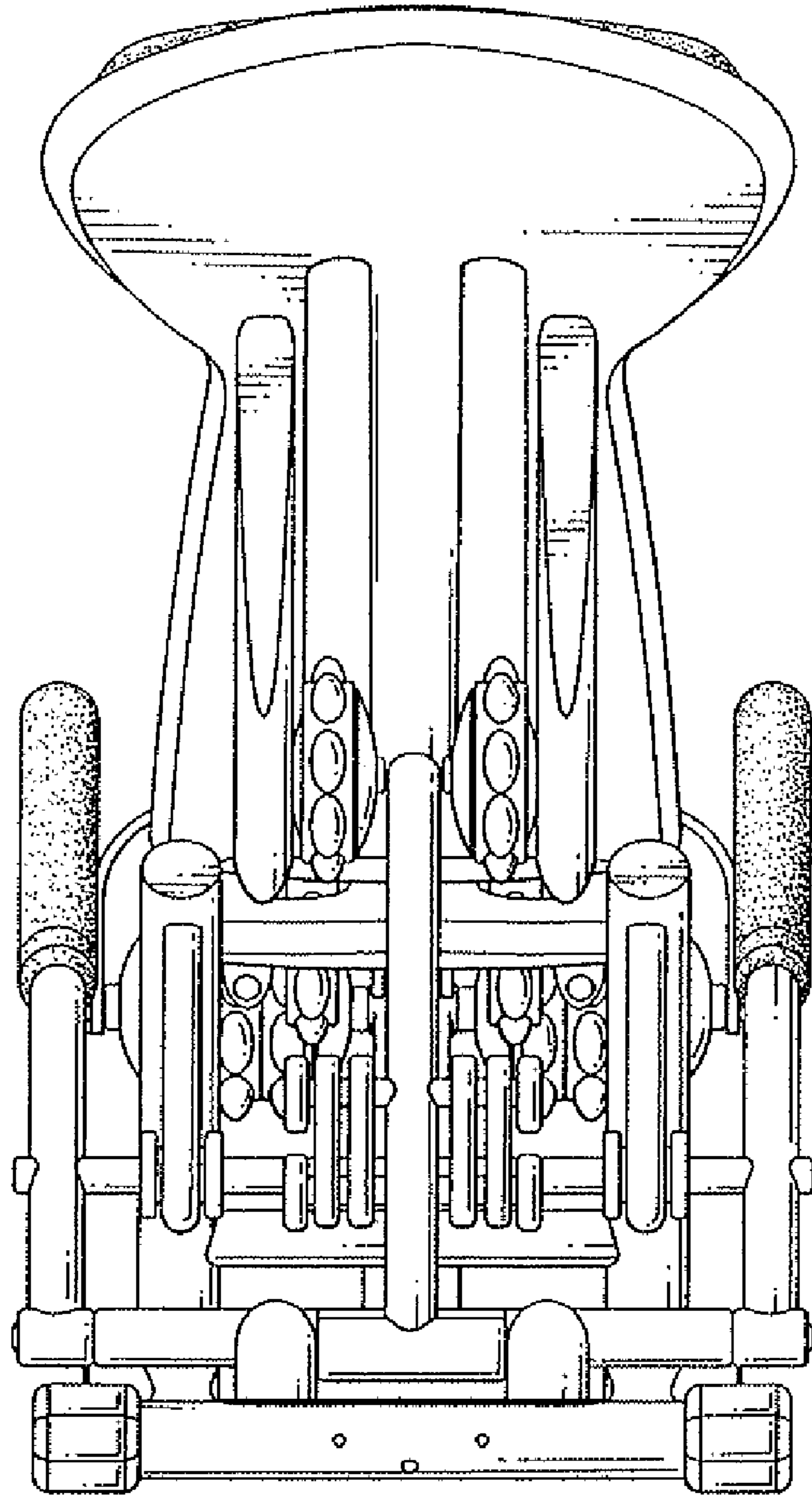


FIG. 5

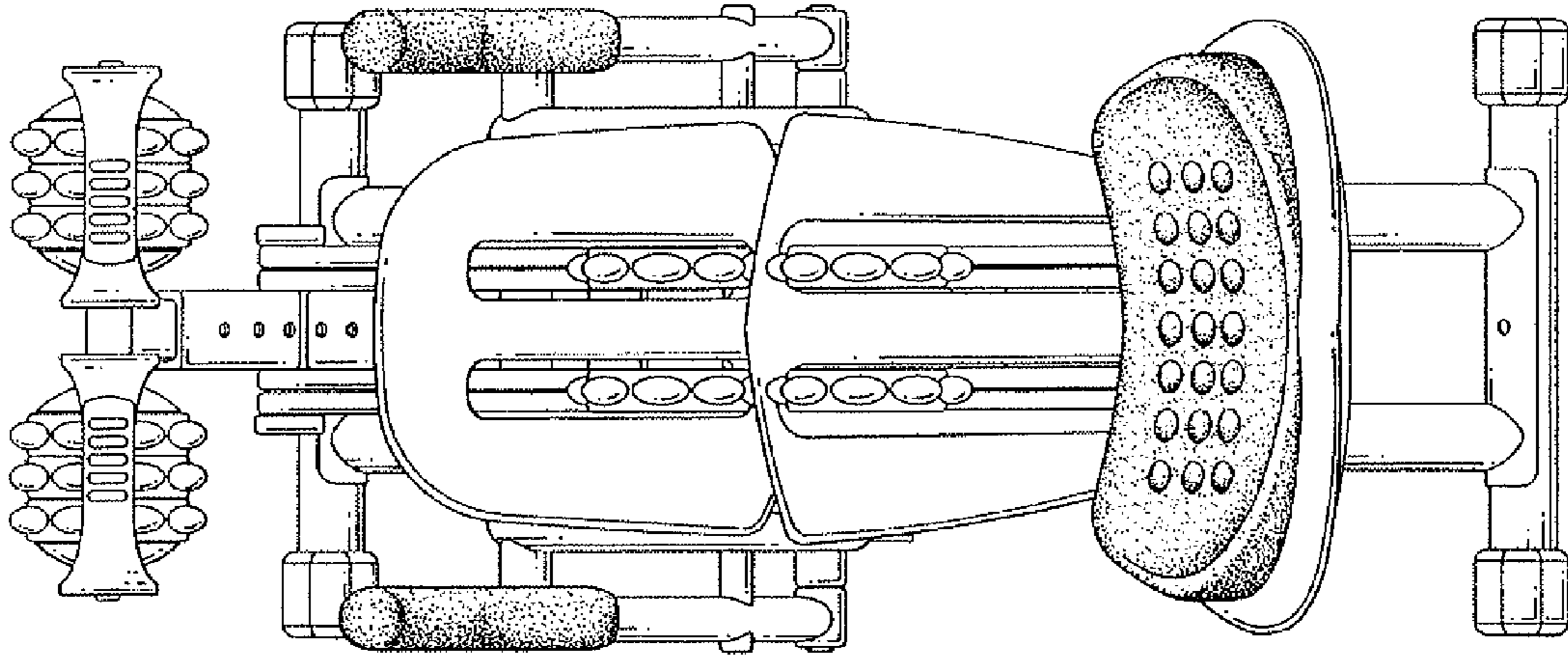


FIG. 6

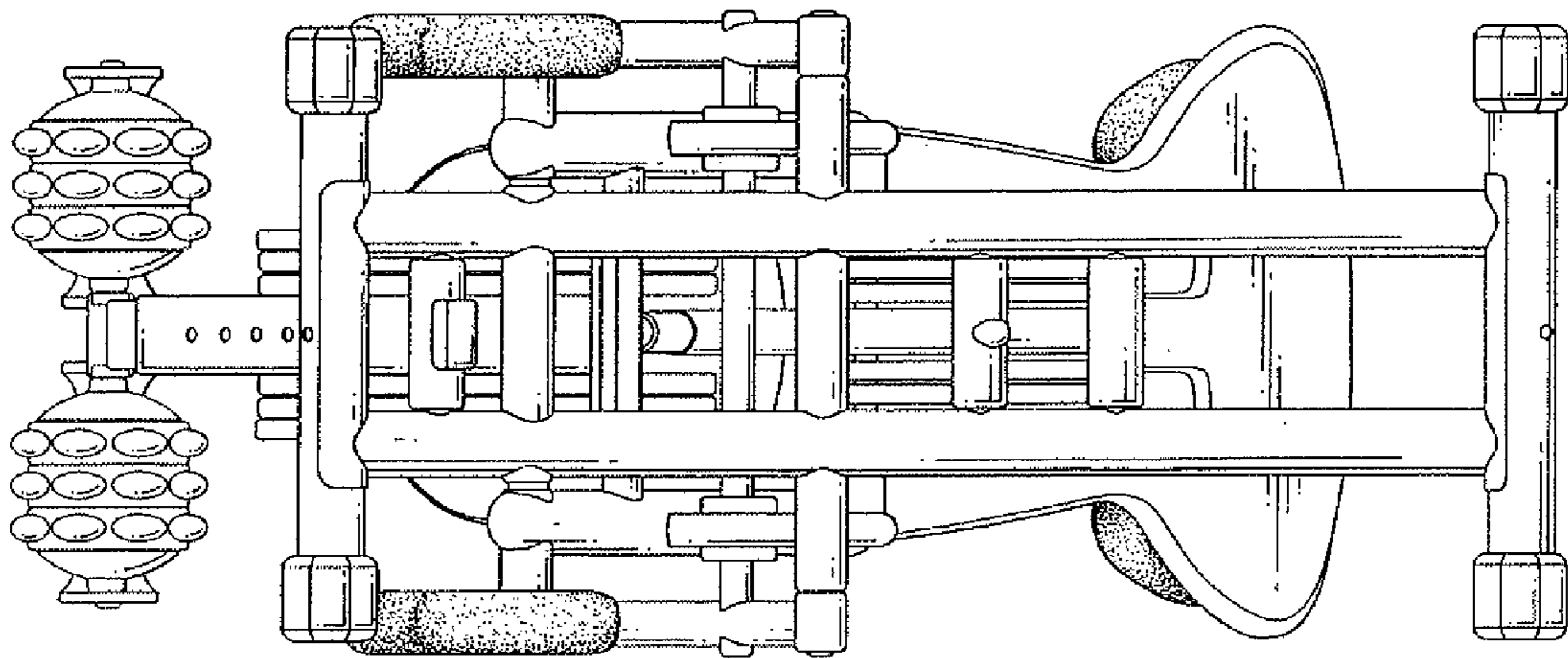


FIG. 7