



US00D596239S

(12) **United States Design Patent**
Huang et al.

(10) **Patent No.:** **US D596,239 S**
(45) **Date of Patent:** **** Jul. 14, 2009**

(54) **DISPLAY**

(75) Inventors: **Wen-Hung Huang**, Taipei County (TW); **Jia-Chyi Liaw**, Taoyuan County (TW)

(73) Assignee: **Hannspree, Inc.**, Taipei (TW)

(**) Term: **14 Years**

(21) Appl. No.: **29/320,080**

(22) Filed: **Jun. 19, 2008**

(51) **LOC (9) Cl.** **20-02**

(52) **U.S. Cl.** **D20/37; D6/308; D6/306**

(58) **Field of Classification Search** D20/10, D20/17, 19, 21, 29, 37, 42, 43, 99; 40/448, 40/541-544, 546-549, 564, 584, 607.1, 616, 40/617, 700, 711, 714, 716, 732, 737, 768, 40/771, 798; D6/300, 303, 306, 308-310, D6/314; D11/121; D14/125, 126, 132, 336, D14/371, 374; D21/324, 333; 239/34; 312/223.2; 428/13, 14

See application file for complete search history.

(56) **References Cited**

U.S. PATENT DOCUMENTS

D67,684 S * 6/1925 Dawes D20/10
D334,726 S * 4/1993 Homsher D11/121
5,266,366 A * 11/1993 Hanneman 428/14

D397,336 S * 8/1998 Woodworth D14/126
D398,659 S * 9/1998 Yokoi D21/333
D430,218 S * 8/2000 Godwin et al. D20/10
D524,263 S * 7/2006 Hoehn et al. D14/126
D579,428 S * 10/2008 Lee D14/126
2009/0001190 A1 * 1/2009 Liou et al. 239/34

* cited by examiner

Primary Examiner—Janice E Seeger

Assistant Examiner—Mary Ann Calabrese

(74) *Attorney, Agent, or Firm*—James J. Paige; Nikolai & Mersereau, P.A.

(57) **CLAIM**

We claim the ornamental design for a display, as shown and described.

DESCRIPTION

FIG. 1 is a perspective view of a display, showing my new design;

FIG. 2 is a front elevational view thereof;

FIG. 3 is a rear elevational view thereof;

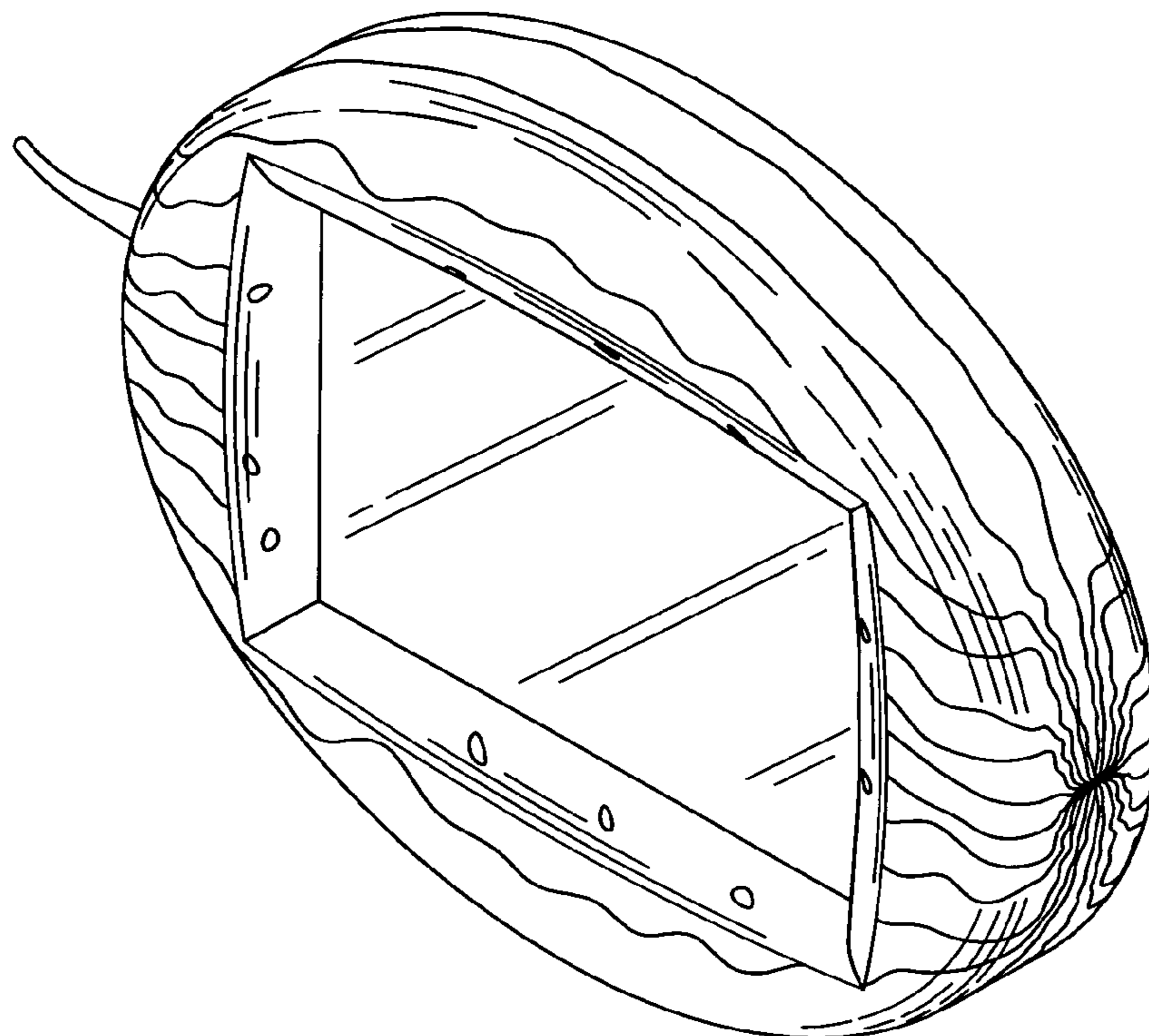
FIG. 4 is a left side elevational view thereof;

FIG. 5 is a right side elevational view thereof;

FIG. 6 is a top plan view thereof; and,

FIG. 7 is a bottom plan view thereof.

1 Claim, 7 Drawing Sheets



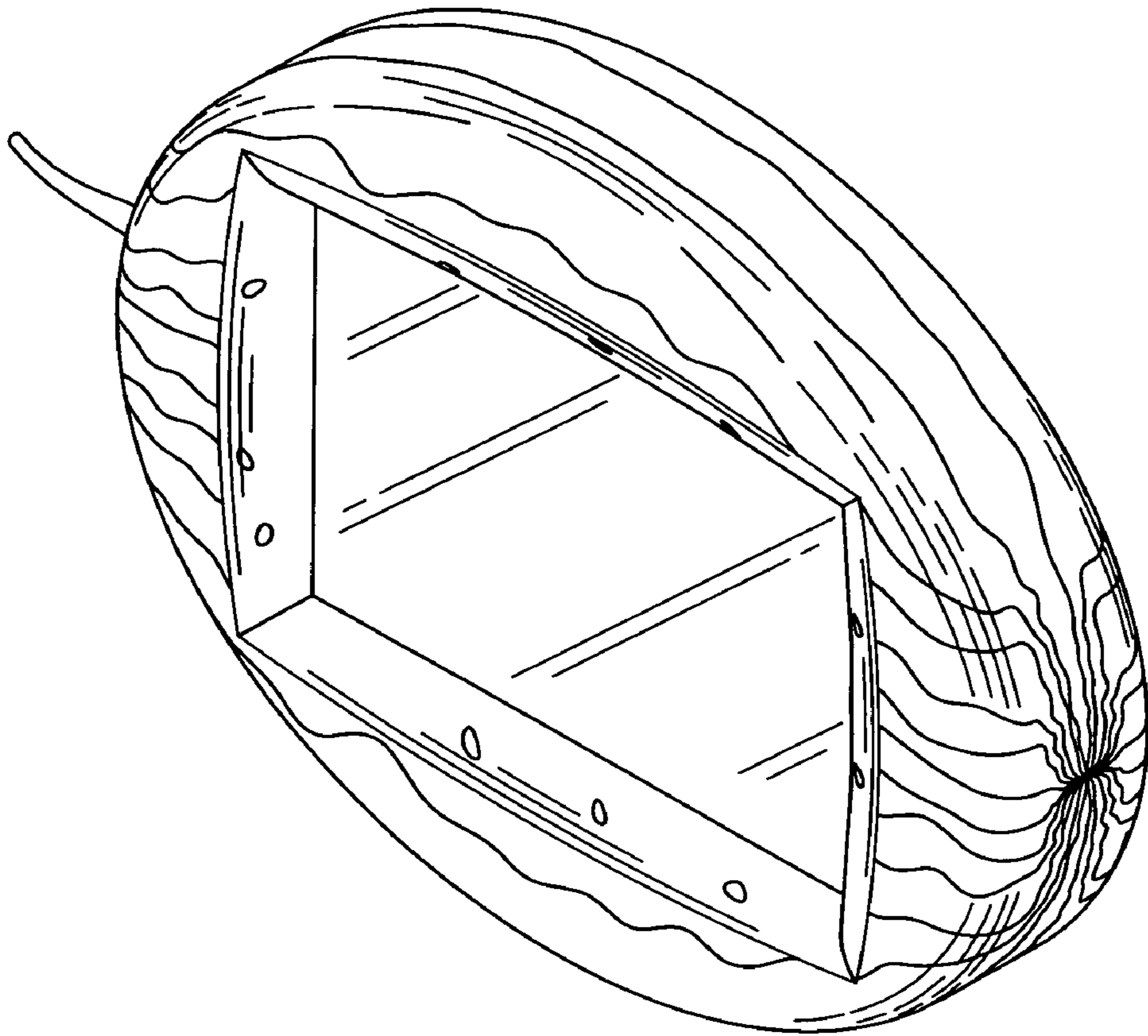


Fig. 1

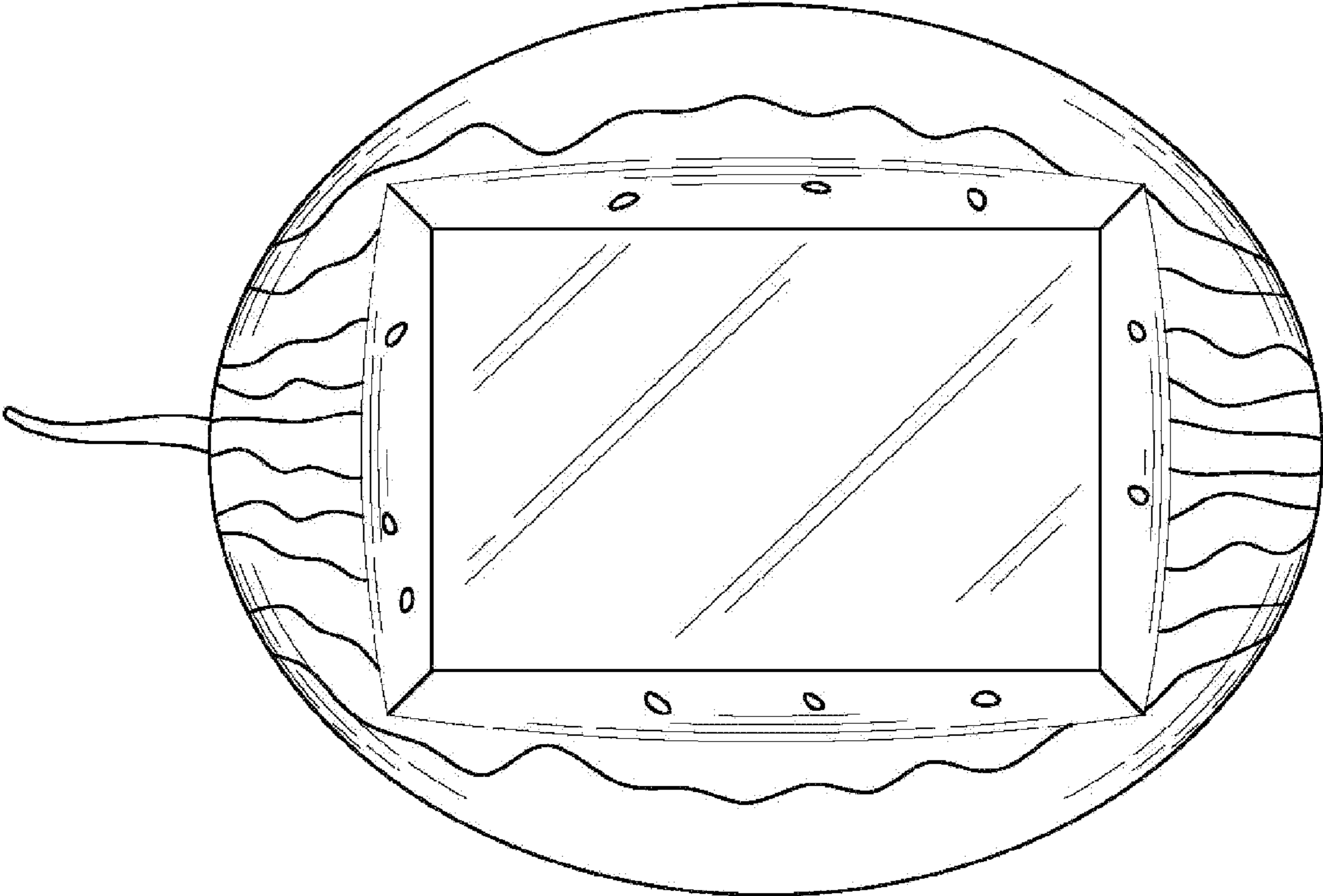


Fig. 2

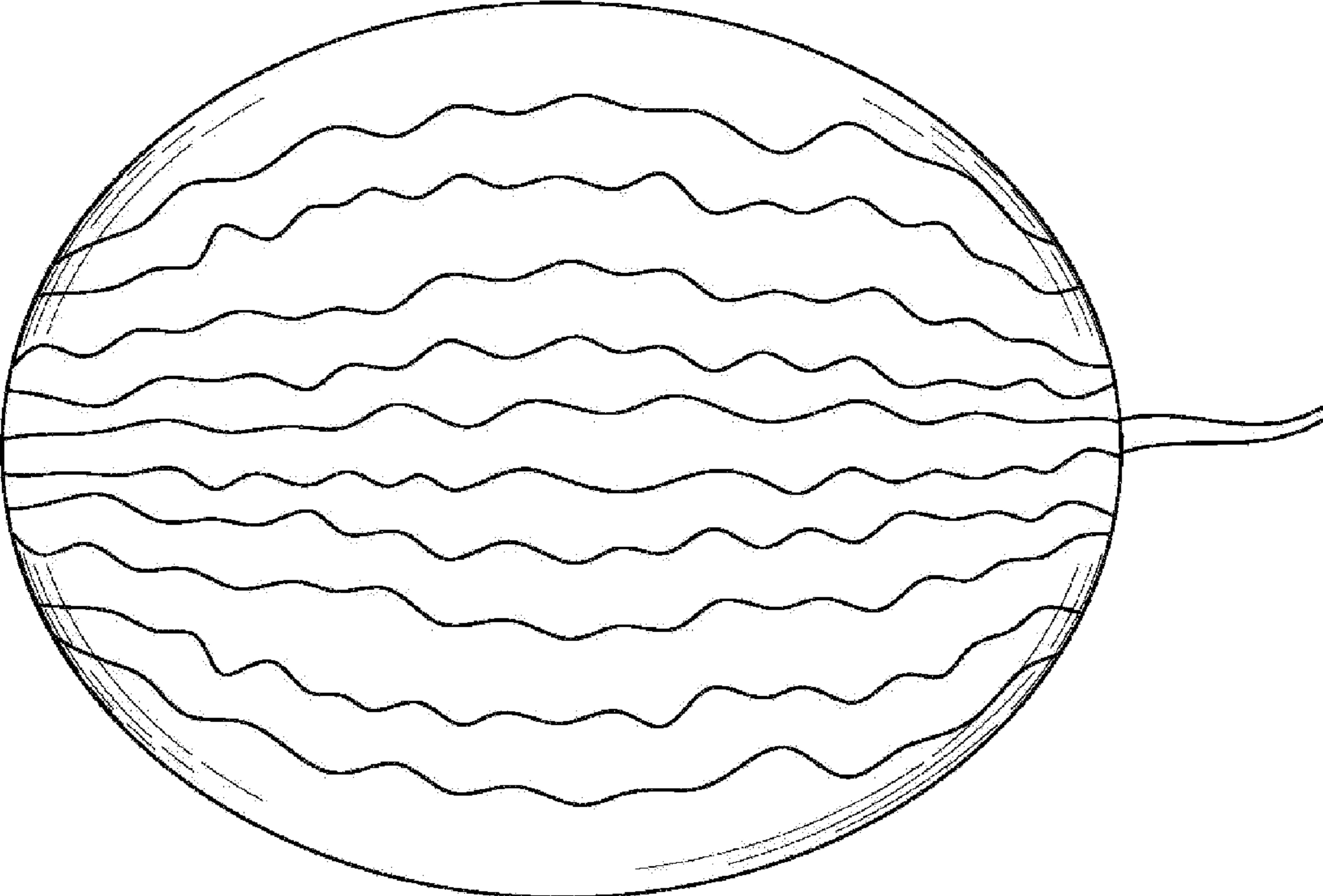


Fig. 3

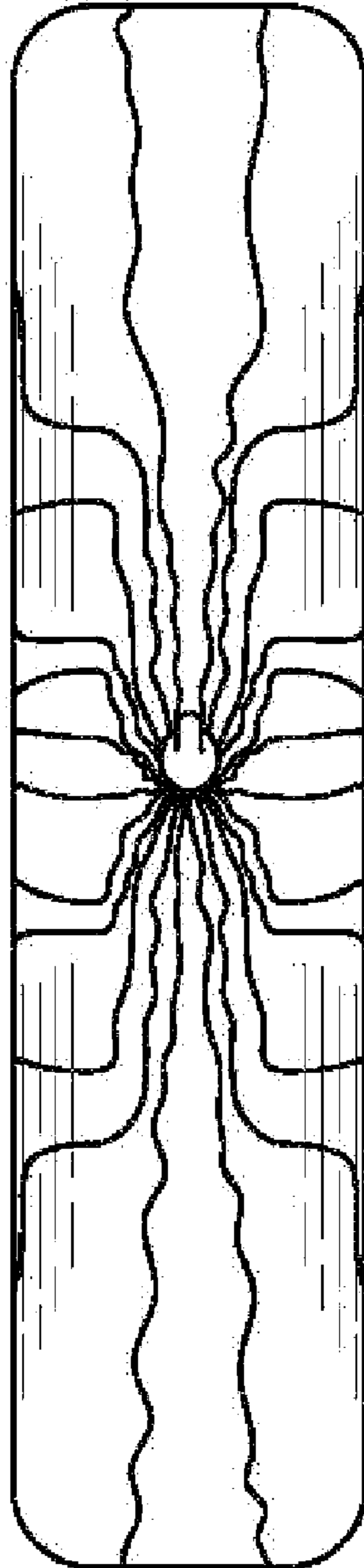


Fig. 4

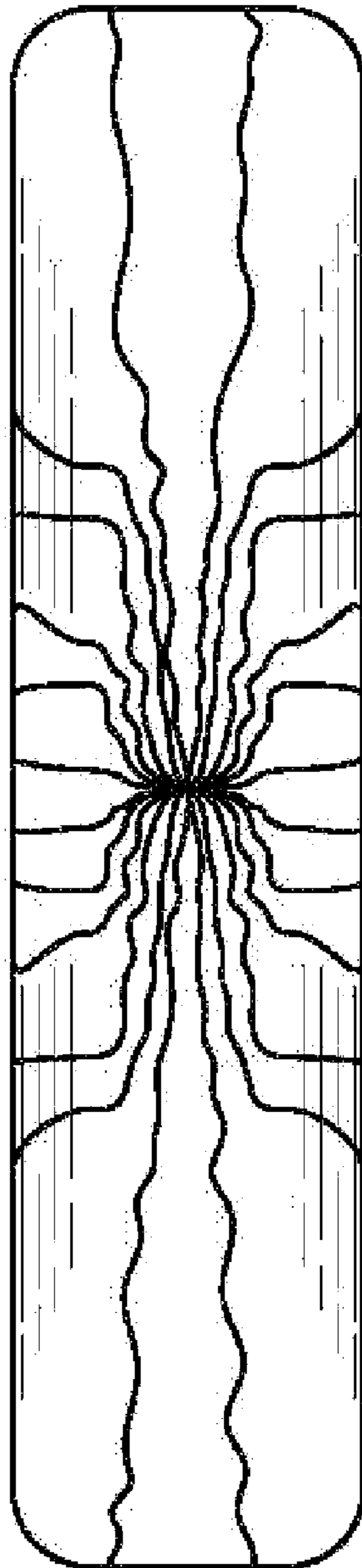


Fig. 5

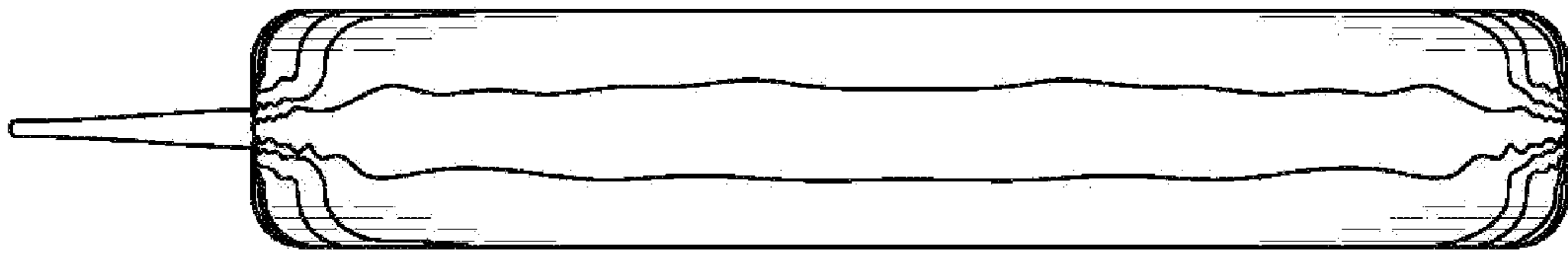


Fig. 6

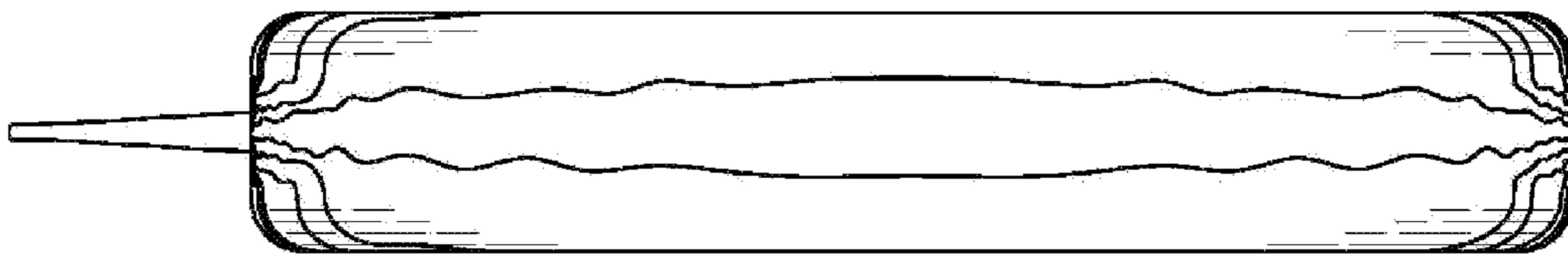


Fig. 7