



US00D596238S

(12) **United States Design Patent**  
**Huang et al.**

(10) **Patent No.:** **US D596,238 S**  
(45) **Date of Patent:** **\*\* Jul. 14, 2009**

(54) **DISPLAY**

(75) Inventors: **Wen-Hung Huang**, Taipei County (TW); **Jia-Chyi Liaw**, Taoyuan County (TW)

(73) Assignee: **Hannspree, Inc.**, Taipei (TW)

(\*\*) Term: **14 Years**

(21) Appl. No.: **29/320,072**

(22) Filed: **Jun. 19, 2008**

(51) **LOC (9) Cl.** ..... **20-02**

(52) **U.S. Cl.** ..... **D20/29; D6/308**

(58) **Field of Classification Search** ..... D20/10, D20/17, 19, 21, 29, 37, 43, 99; 40/448, 541-547, 40/549, 564, 584, 607.1, 616, 617, 700, 711, 40/714, 716, 732, 737, 768, 771, 798; D6/300, D6/303, 304, 306, 308-310; D11/121; D14/125, D14/126, 132, 336, 371, 374, 376; D21/324, D21/333; 239/134; 312/13, 14; 428/13, 428/14

See application file for complete search history.

(56) **References Cited**

**U.S. PATENT DOCUMENTS**

1,452,396 A \* 4/1923 Lloyd et al. .... 40/607.1  
D335,310 S \* 5/1993 Kurnow et al. .... D20/10

D359,311 S \* 6/1995 Stangarone ..... D20/10  
D430,218 S \* 8/2000 Godwin et al. .... D20/10  
D436,106 S \* 1/2001 Mohamed ..... D14/371  
D493,490 S \* 7/2004 Vogel ..... D20/19  
D524,264 S \* 7/2006 Hoehn ..... D14/126  
2006/0076857 A1 \* 4/2006 Hsieh et al. .... 312/223.2

\* cited by examiner

*Primary Examiner*—Janice E Seeger

*Assistant Examiner*—Mary Ann Calabrese

(74) *Attorney, Agent, or Firm*—James J. Paige; Nikolai & Mersereau, P.A.

(57) **CLAIM**

We claim the ornamental design for a display, as shown and described.

**DESCRIPTION**

FIG. 1 is a perspective view of a display, showing my new design;

FIG. 2 is a front elevational view thereof;

FIG. 3 is a rear elevational view thereof;

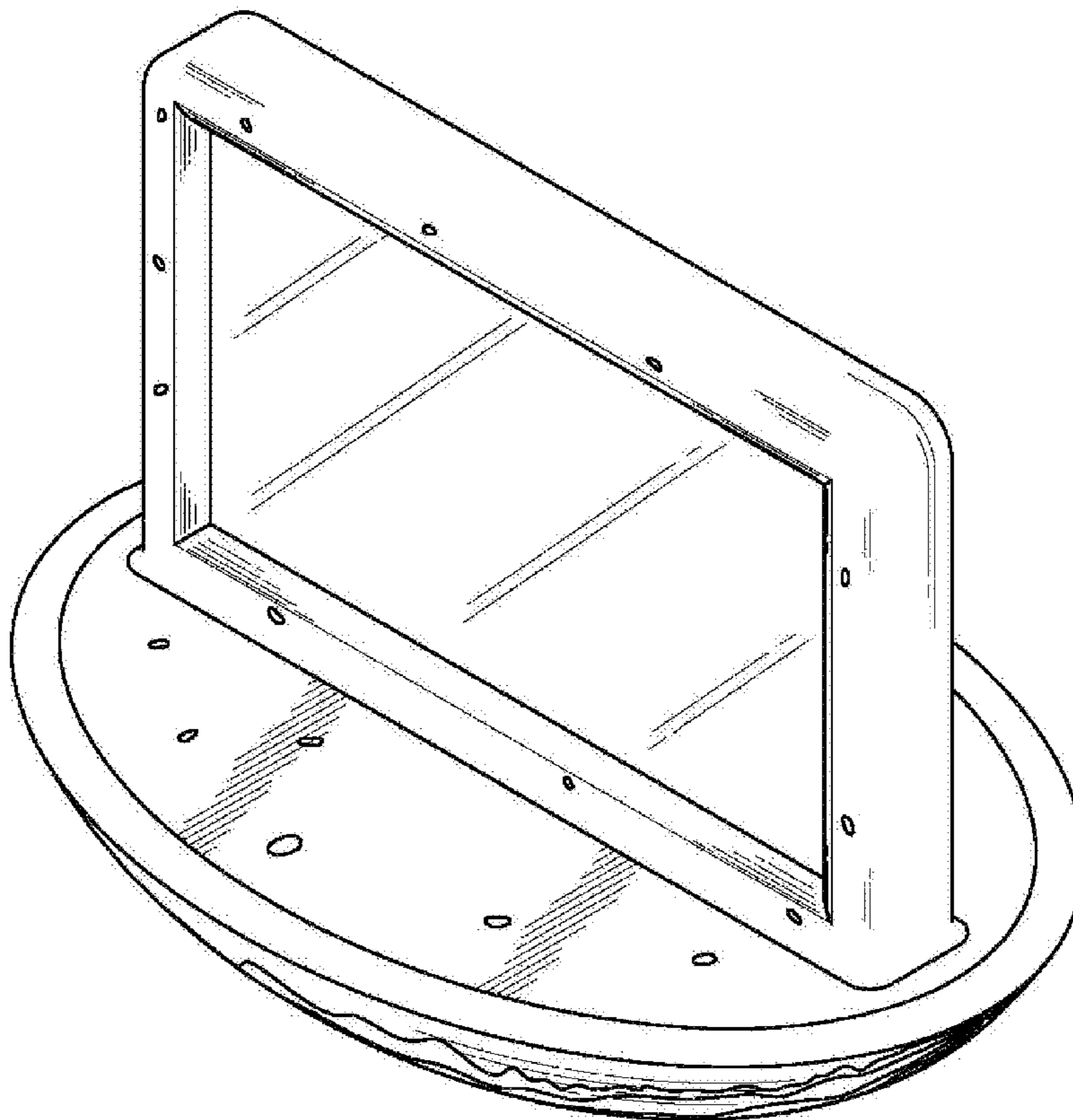
FIG. 4 is a left side elevational view thereof;

FIG. 5 is a right side elevational view thereof;

FIG. 6 is a top plan view thereof; and,

FIG. 7 is a bottom plan view thereof.

**1 Claim, 7 Drawing Sheets**



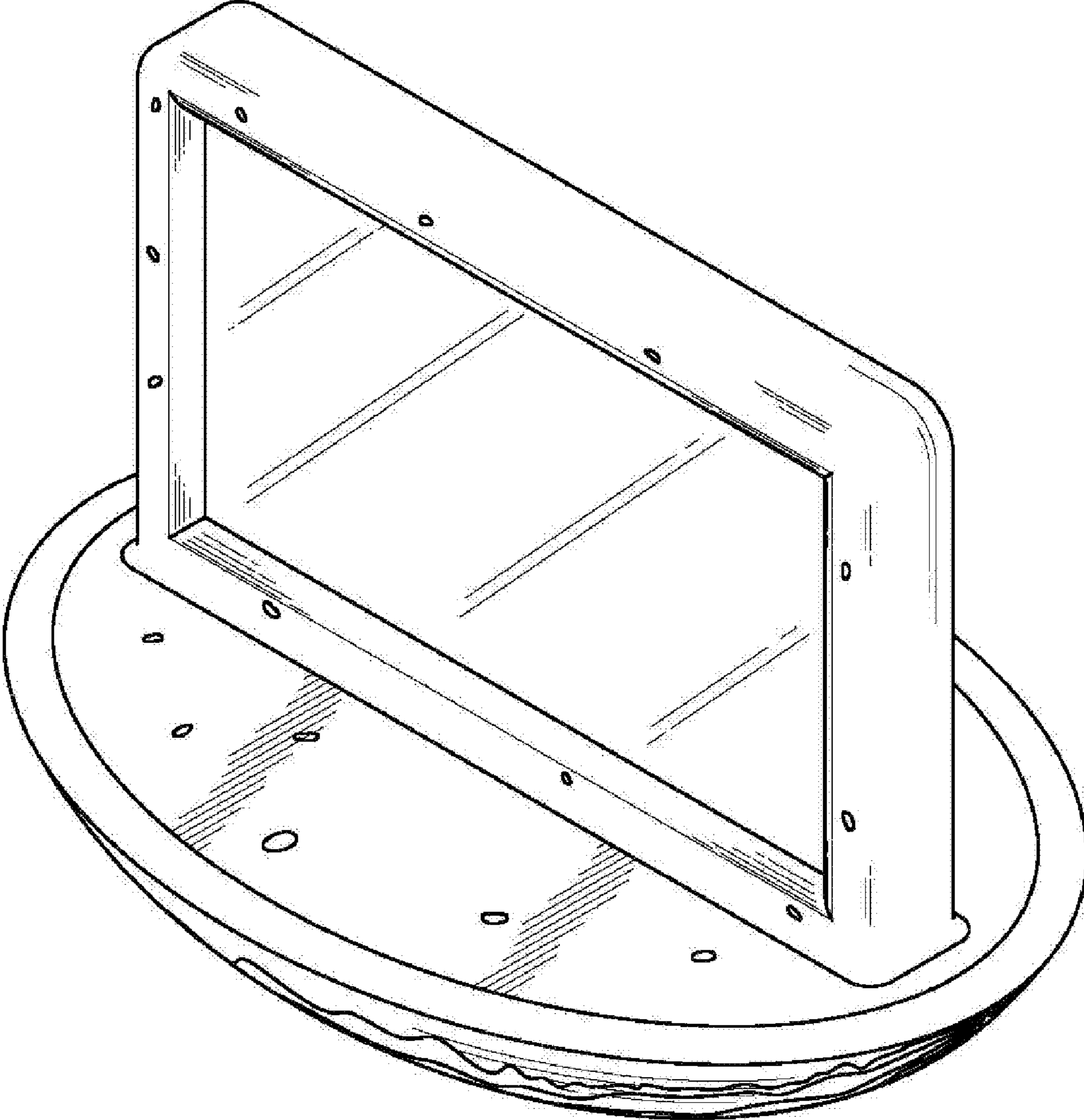


Fig. 1

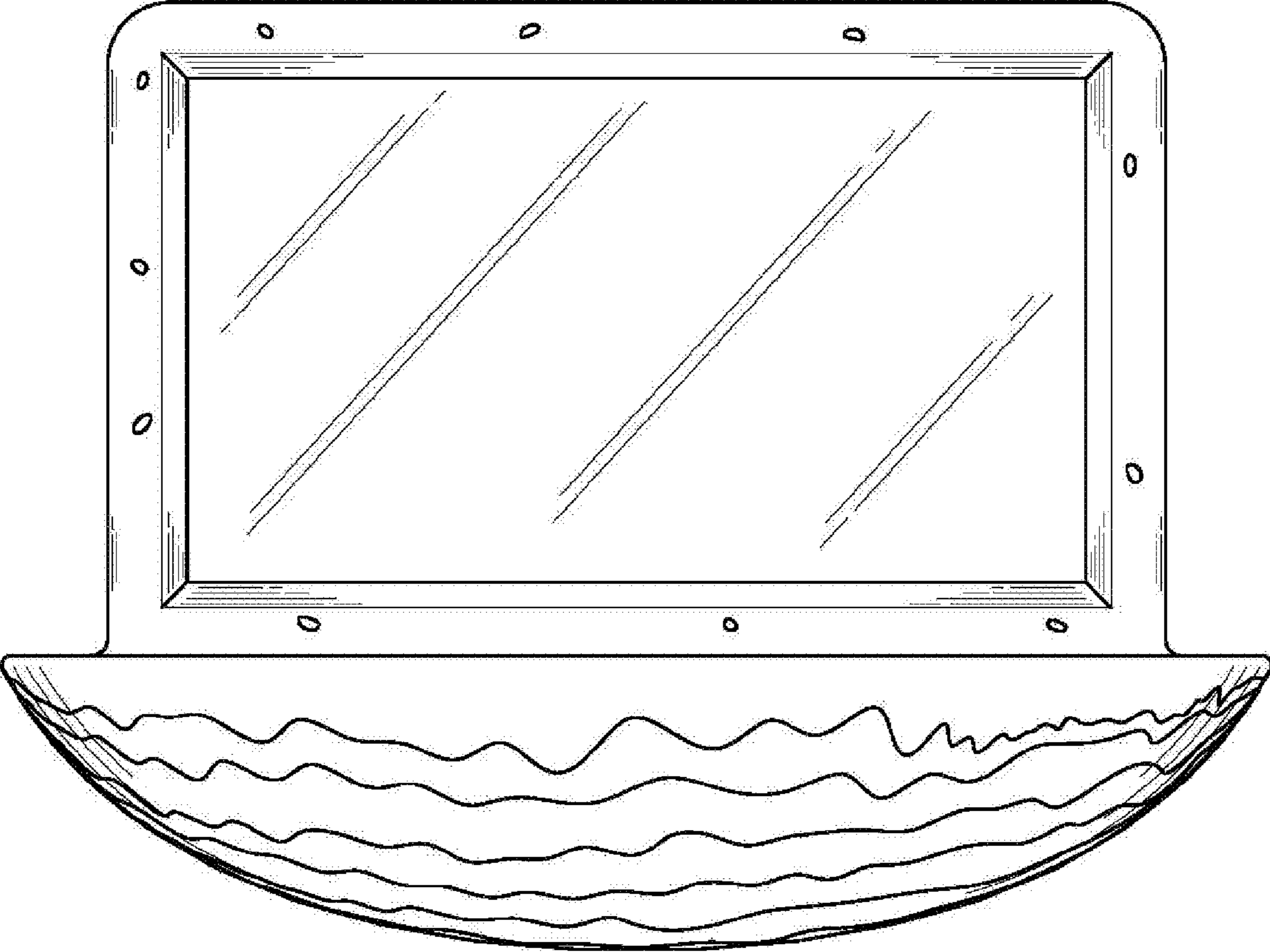


Fig. 2

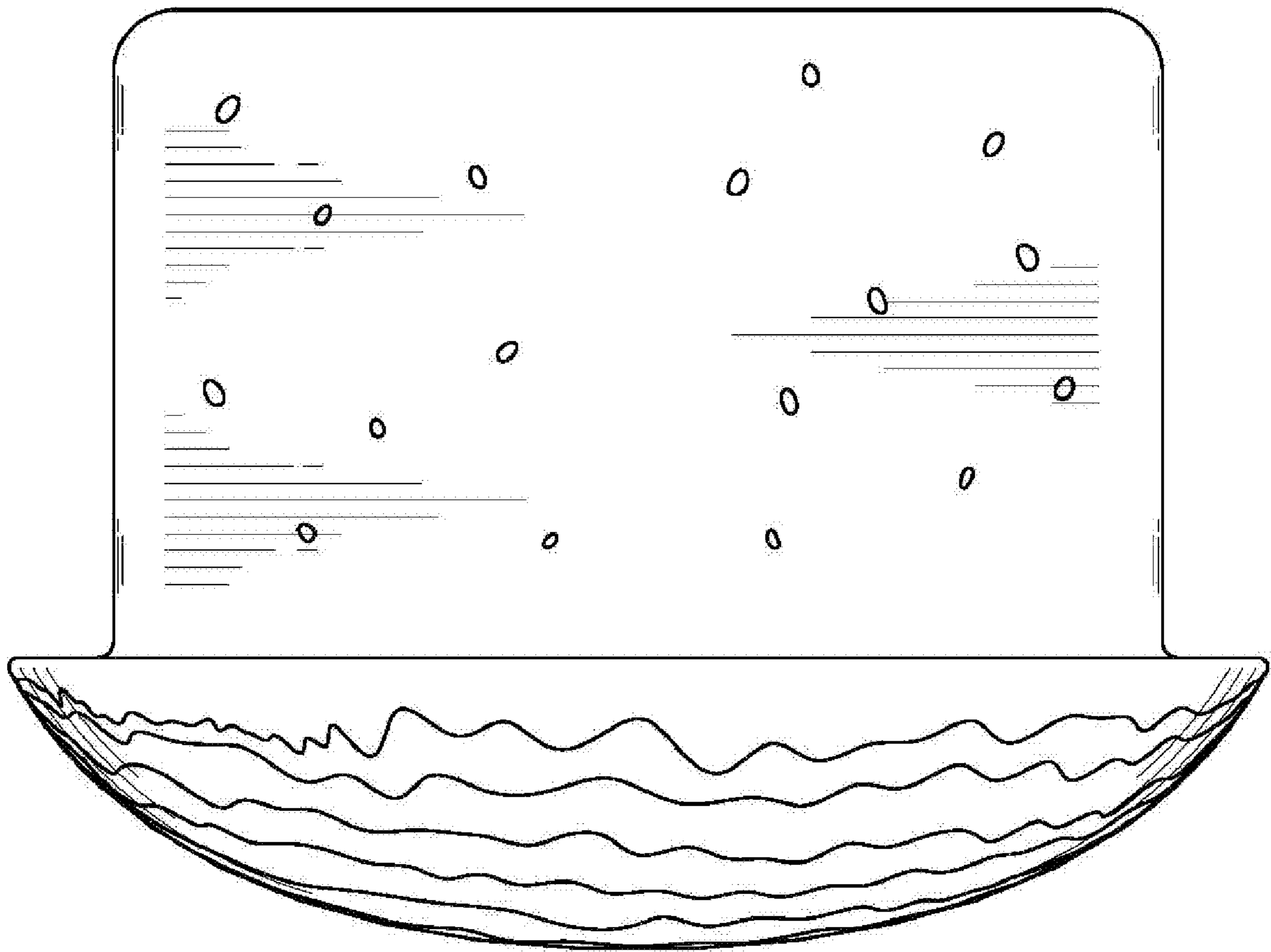


Fig. 3

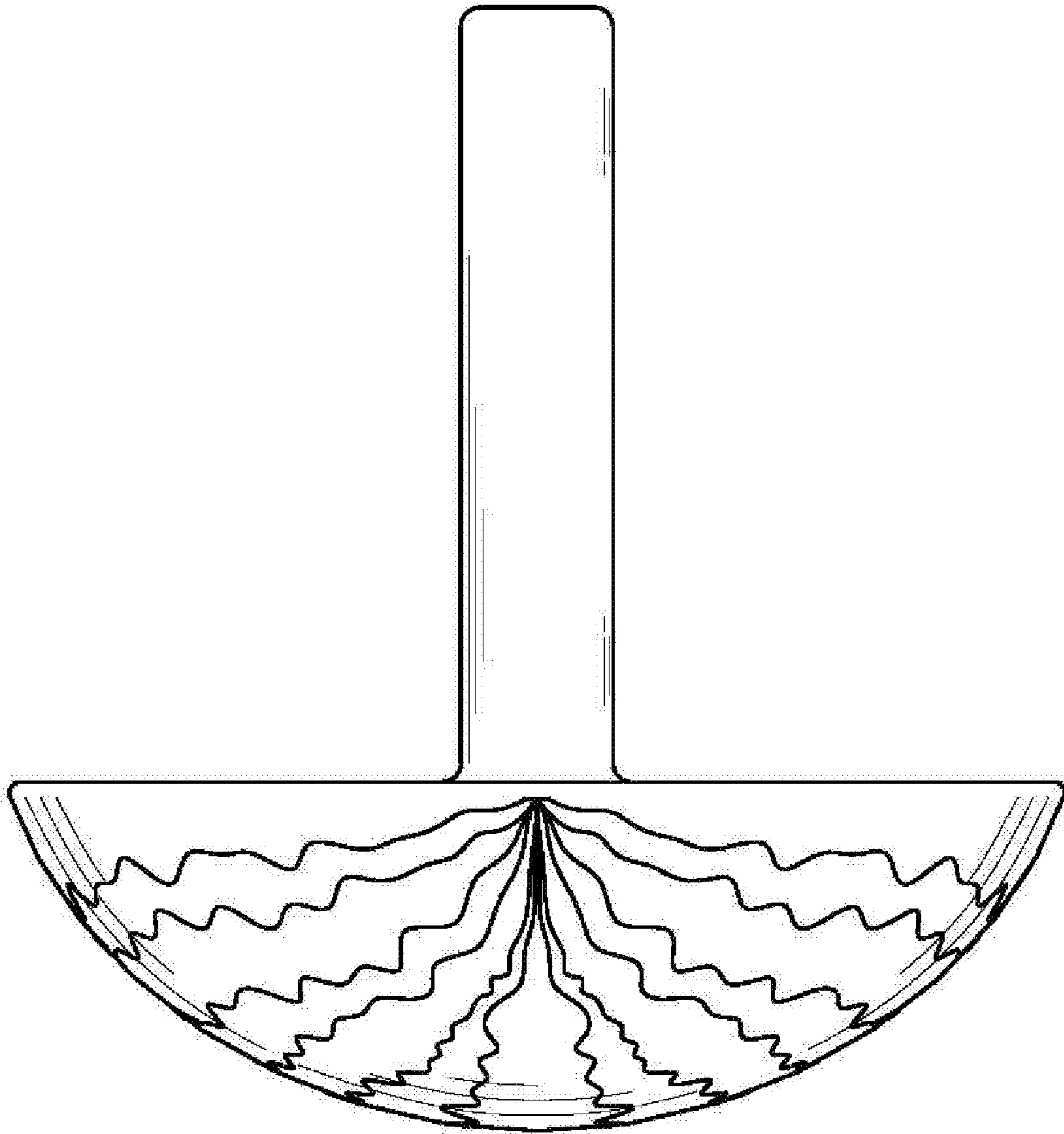


Fig. 4



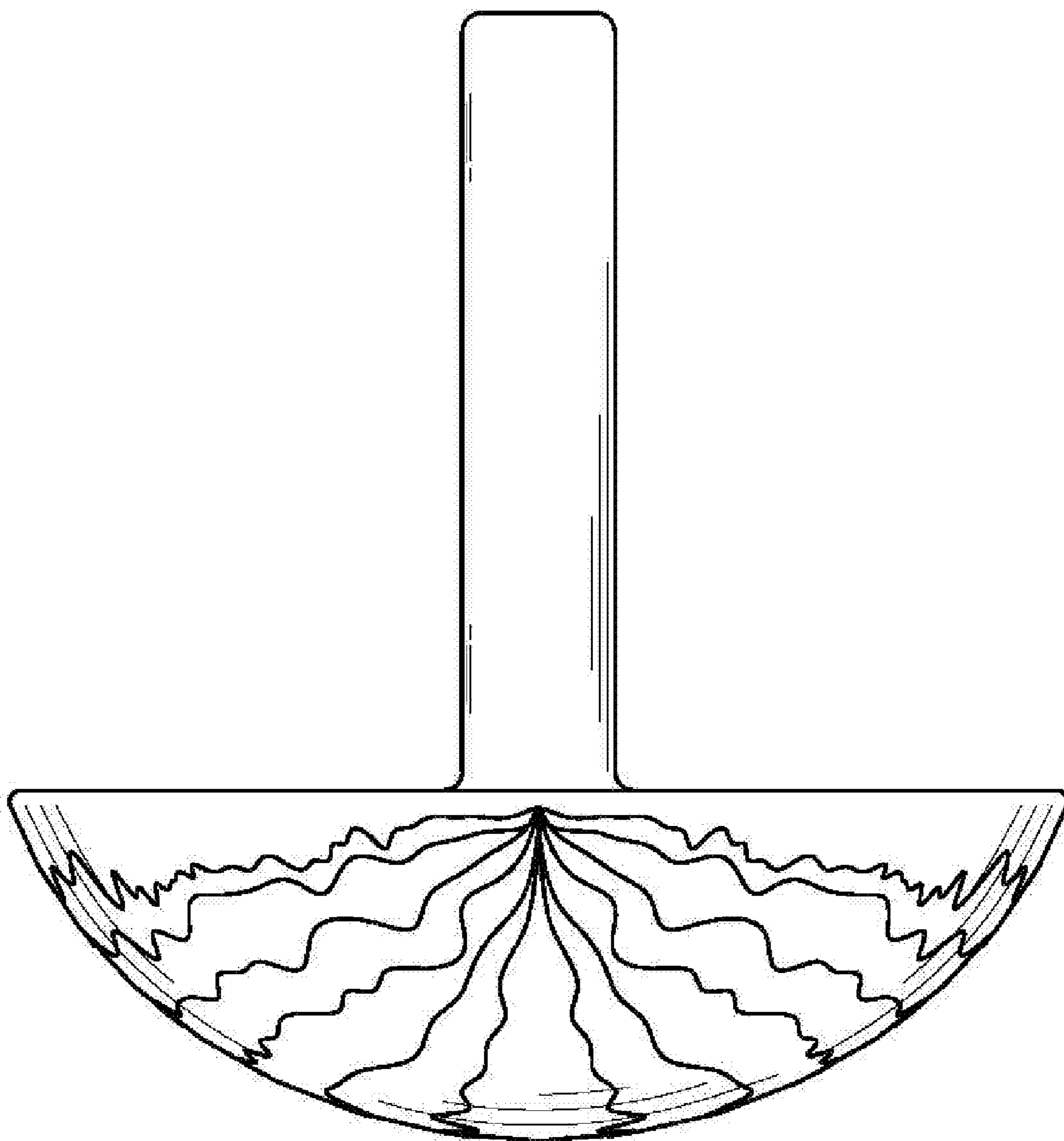


Fig. 5

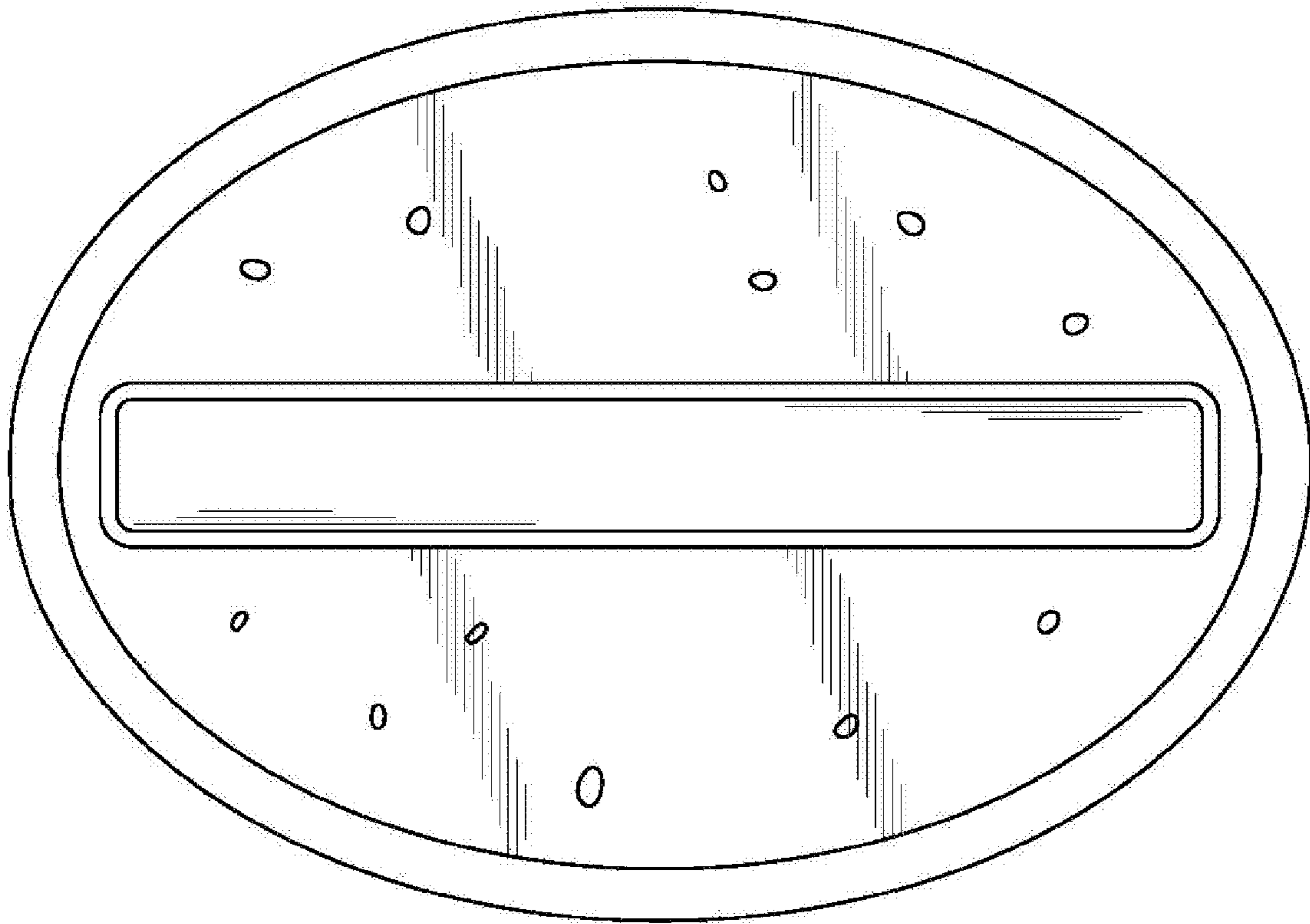


Fig. 6

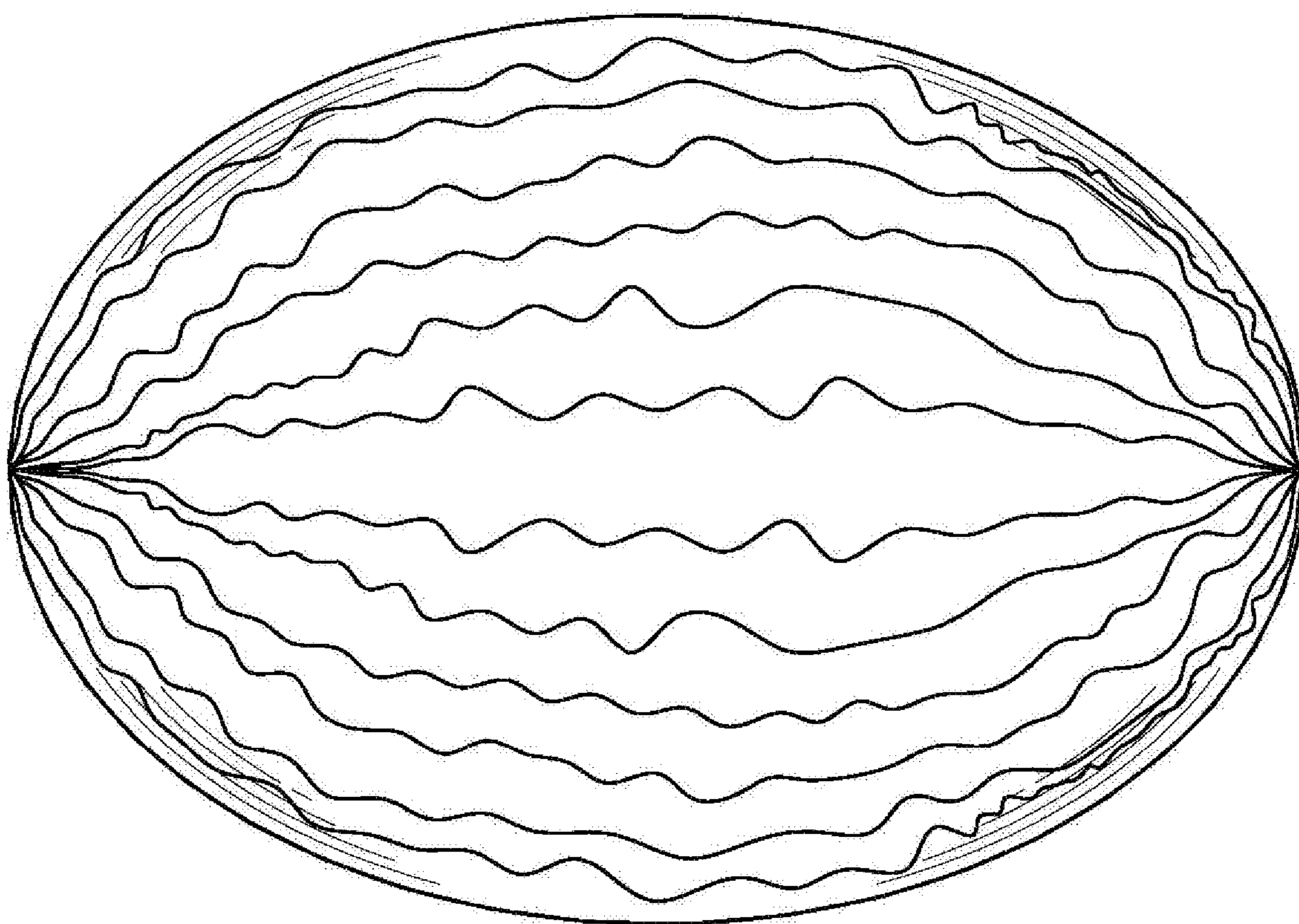


Fig. 7