



US00D596235S

(12) **United States Design Patent**
Tsai

(10) **Patent No.:** **US D596,235 S**
(45) **Date of Patent:** **** Jul. 14, 2009**

(54) **PEN COVER FOR PULL REEL**

6,405,572 B1 * 6/2002 Seamans 70/456 R
D513,668 S * 1/2006 Smith D4/136
D564,288 S * 3/2008 Collins D7/393

(76) Inventor: **Hai Pin Tsai**, 9G, Block 1, Majestic
Park, 11 Farm Road, To Kwa Wan,
Kowloon (HK)

FOREIGN PATENT DOCUMENTS

(**) Term: **14 Years**

HK EM000781521-0001 * 8/2007

(21) Appl. No.: **29/284,811**

* cited by examiner

(22) Filed: **Sep. 14, 2007**

Primary Examiner—Elizabeth A Albert
(74) *Attorney, Agent, or Firm*—Intellectual Property Law
Group LLP; Juneko Jackson; Otto O. Lee

(30) **Foreign Application Priority Data**

(57) **CLAIM**

May 8, 2007 (HK) 0701268

The ornamental design for a pen cover for pull reel, as shown
and described.

(51) **LOC (9) Cl.** **19-06**

(52) **U.S. Cl.** **D19/57**

(58) **Field of Classification Search** D19/35,
D19/36, 41–51, 53–57; 24/11 F, 11 P, 11 R;
401/52, 99, 100, 104–109, 192, 195, 196
See application file for complete search history.

DESCRIPTION

FIG. 1 is a perspective view of a pen cover for pull reel
embodying my new design;

(56) **References Cited**

U.S. PATENT DOCUMENTS

D15,048 S * 6/1884 Dominick D7/653
D142,092 S * 8/1945 Katz D7/649
D295,421 S * 4/1988 Young D19/43
D350,562 S * 9/1994 Muliterno D19/48
D399,699 S * 10/1998 Stokes D7/401.2
5,826,997 A * 10/1998 Coleman et al. 401/52
D417,122 S * 11/1999 Jagger D7/401.2
D421,626 S * 3/2000 Brock D19/55
6,086,445 A * 7/2000 Zawitz 446/146
D454,976 S * 3/2002 Recupido D28/9

FIG. 2 is a top plan view thereof;

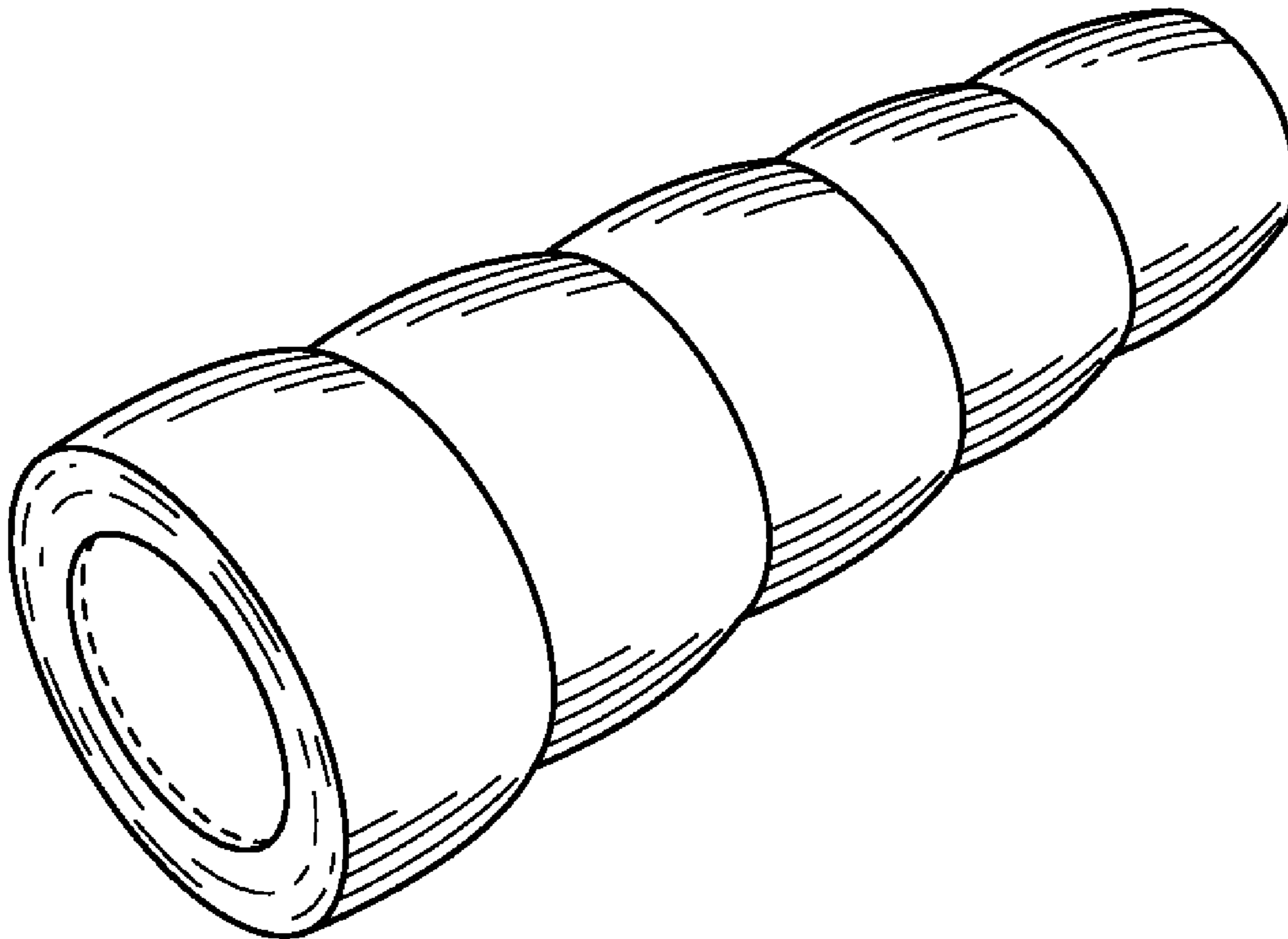
FIG. 3 is a bottom plan view thereof;

FIG. 4 is a front elevational view thereof, the rear elevational
view being a mirror image thereof; and,

FIG. 5 a left side elevational view thereof, the right side
elevational view being a mirror image thereof.

The broken lines showing inside and top surfaces of the pen
cover for pull reel in FIGS. 1–3 are included for the purpose
of illustrating environment and form no part of the claimed
design.

1 Claim, 2 Drawing Sheets



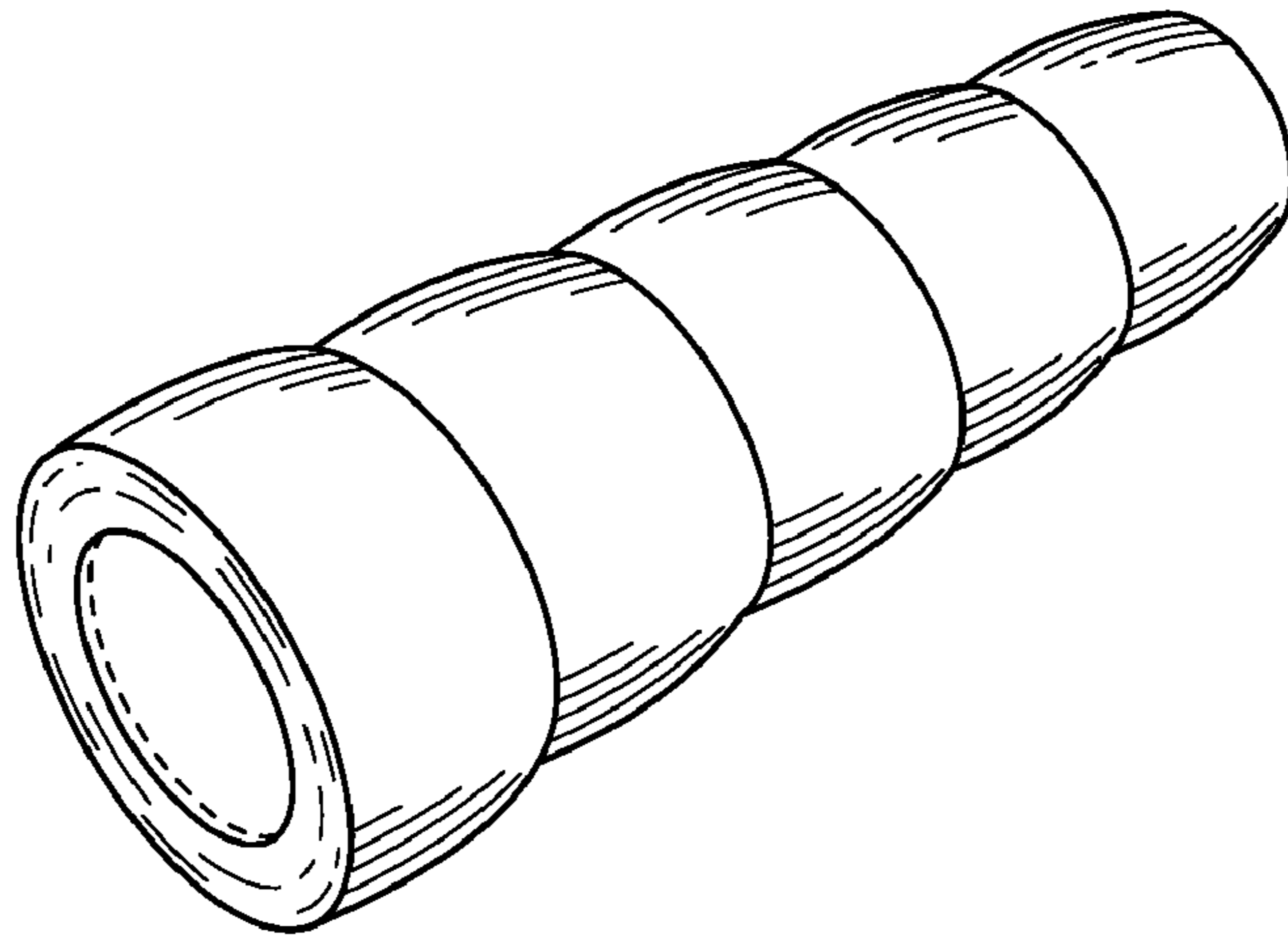


FIG. 1

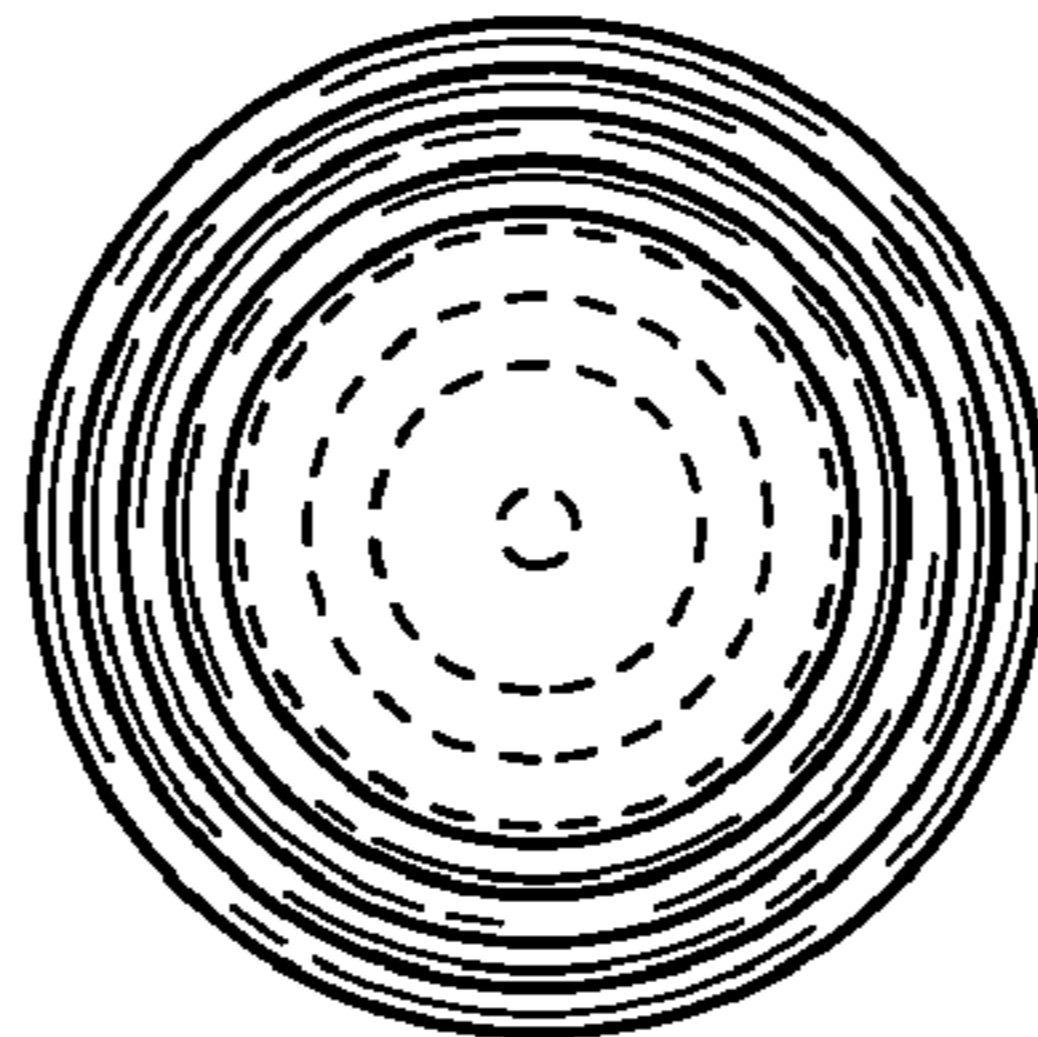


FIG. 2

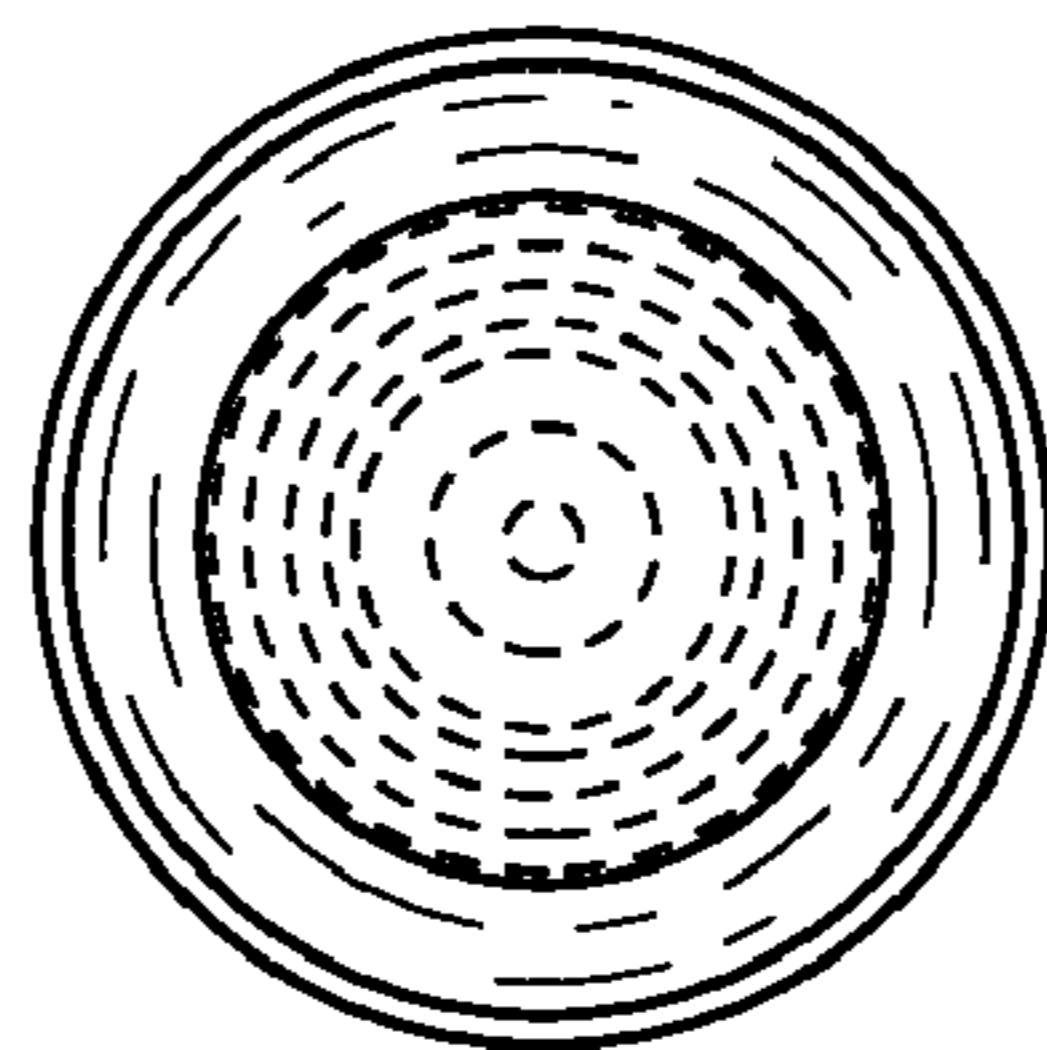


FIG. 3

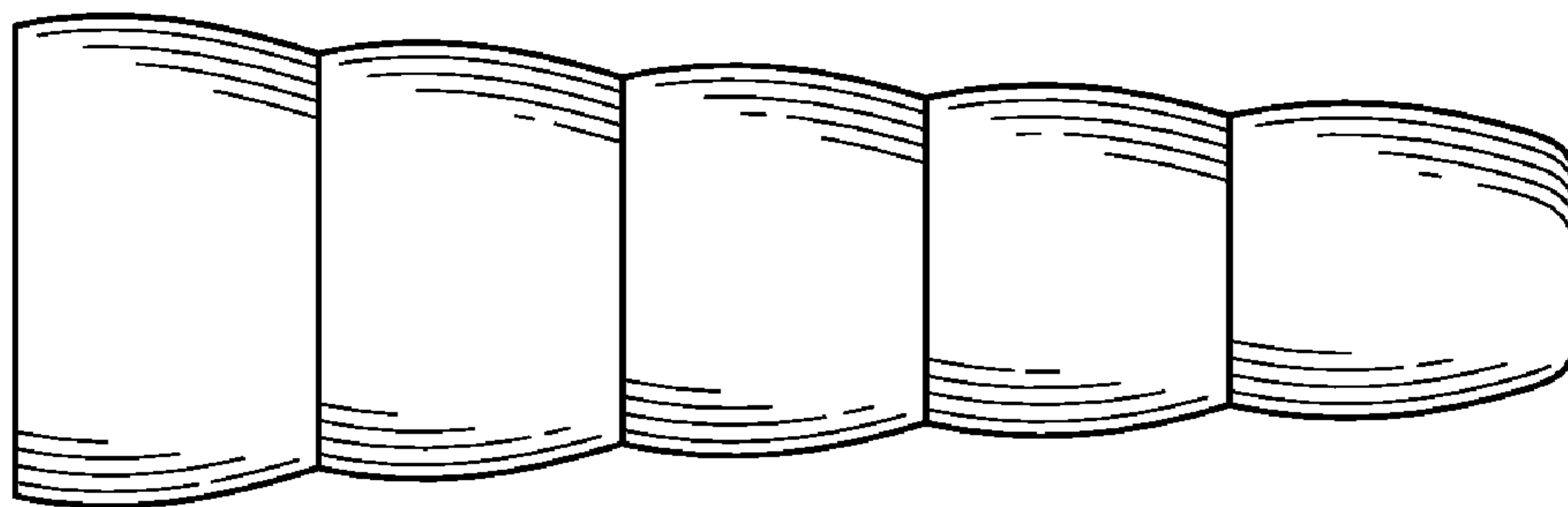


FIG. 4

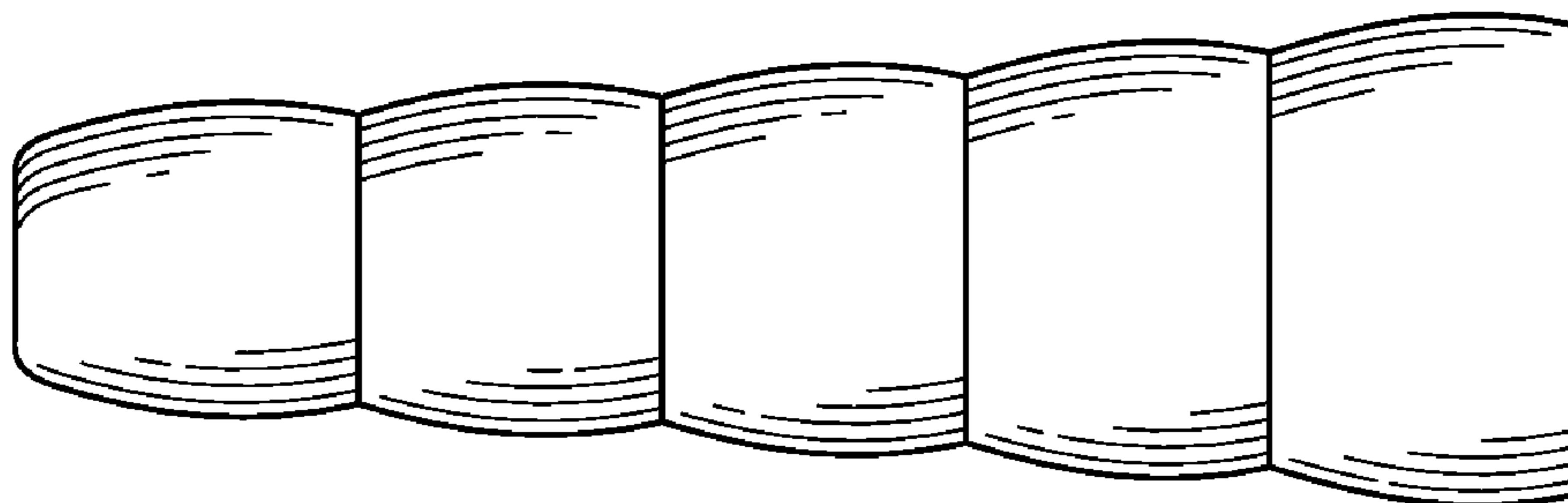


FIG. 5