

US00D596233S

(12) **United States Design Patent**
Kusaba

(10) **Patent No.:** **US D596,233 S**
(45) **Date of Patent:** **** Jul. 14, 2009**

(54) **BALLPOINT PEN**

(75) Inventor: **Shun Kusaba**, Tokyo (JP)

(73) Assignee: **Zebra Co., Ltd.**, Tokyo (JP)

(**) Term: **14 Years**

(21) Appl. No.: **29/295,845**

(22) Filed: **Oct. 9, 2007**

(30) **Foreign Application Priority Data**

May 29, 2007 (JP) 2007-014140

(51) **LOC (9) Cl.** **19-06**

(52) **U.S. Cl.** **D19/49**

(58) **Field of Classification Search** D19/35,
D19/36, 41, 42, 44, 45, 46, 43, 47, 48, 49,
D19/50, 51, 54, 55, 56, 57; 24/11 R, 11 F,
24/11 P; 401/55, 99, 100, 104, 105, 106,
401/107, 109, 196, 197, 202, 208, 209, 213,
401/192, 195, 243, 244, 245, 246, 247; 708/107
See application file for complete search history.

(56) **References Cited**

U.S. PATENT DOCUMENTS

1,351,552 A *	8/1920	Bricken	401/72
2,924,219 A *	2/1960	Wershaw	604/47
D374,893 S *	10/1996	Yazawa	D19/51
D401,967 S *	12/1998	Tam	D19/36
D404,070 S *	1/1999	Hasegawa	D19/51
D421,052 S *	2/2000	Yazawa	D19/48
6,273,626 B1 *	8/2001	Yazawa	401/6
D500,337 S *	12/2004	Tsuchida	D19/36
D523,476 S *	6/2006	Nakazawa	D19/49
D553,680 S *	10/2007	Kusaba	D19/50
D562,894 S *	2/2008	Nishida	D19/49
D575,822 S *	8/2008	Rolion et al.	D19/50

* cited by examiner

Primary Examiner—Elizabeth A Albert

Assistant Examiner—Karen E Eldridge Powers

(74) *Attorney, Agent, or Firm*—Butzel Long

(57) **CLAIM**

I claim the ornamental design for a ballpoint pen, as shown and described.

DESCRIPTION

FIG. 1 is a front elevational view of the ballpoint pen showing my design;

FIG. 2 is a back elevational view thereof;

FIG. 3 is a left side elevational view thereof;

FIG. 4 is a right side elevational view thereof;

FIG. 5 is a top view thereof;

FIG. 6 is a bottom view thereof;

FIG. 7 is an enlarged cross-sectional view the ballpoint pen taken along sectional lines 7—7 in FIG. 1, with the internal mechanism omitted;

FIG. 8 is an enlarged cross-sectional view of the ballpoint pen taken along sectional lines 8—8 in FIG. 1, with the internal mechanism omitted;

FIG. 9 is an enlarged cross-sectional view of the ballpoint pen taken along sectional lines 9—9 in FIG. 1, with the internal mechanism omitted;

FIG. 10 is an enlarged cross-sectional view of the ballpoint pen taken along sectional lines 10—10 in FIG. 1, with the internal mechanism omitted;

FIG. 11 is an enlarged right-side elevational view thereof;

FIG. 12 is a front elevational view thereof with the grip rotated;

FIG. 13 is a an enlarged cross-sectional view of the ballpoint pen taken along sectional lines 13—13 in FIG. 12, with the grip rotated; and,

FIG. 14 is a perspective view thereof.

The stippling shown on the ballpoint pen represents a surface texture.

The broken lines showing interior structure in FIGS. 7 and 13 represent environmental matter and form no part of the claimed design.

1 Claim, 14 Drawing Sheets

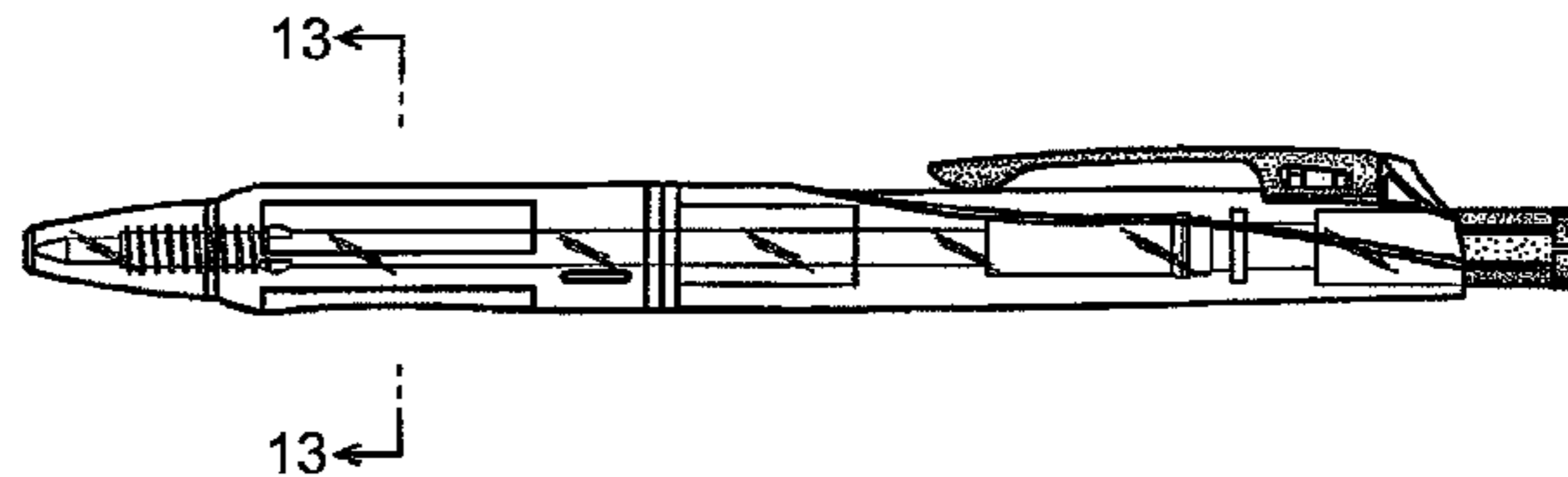
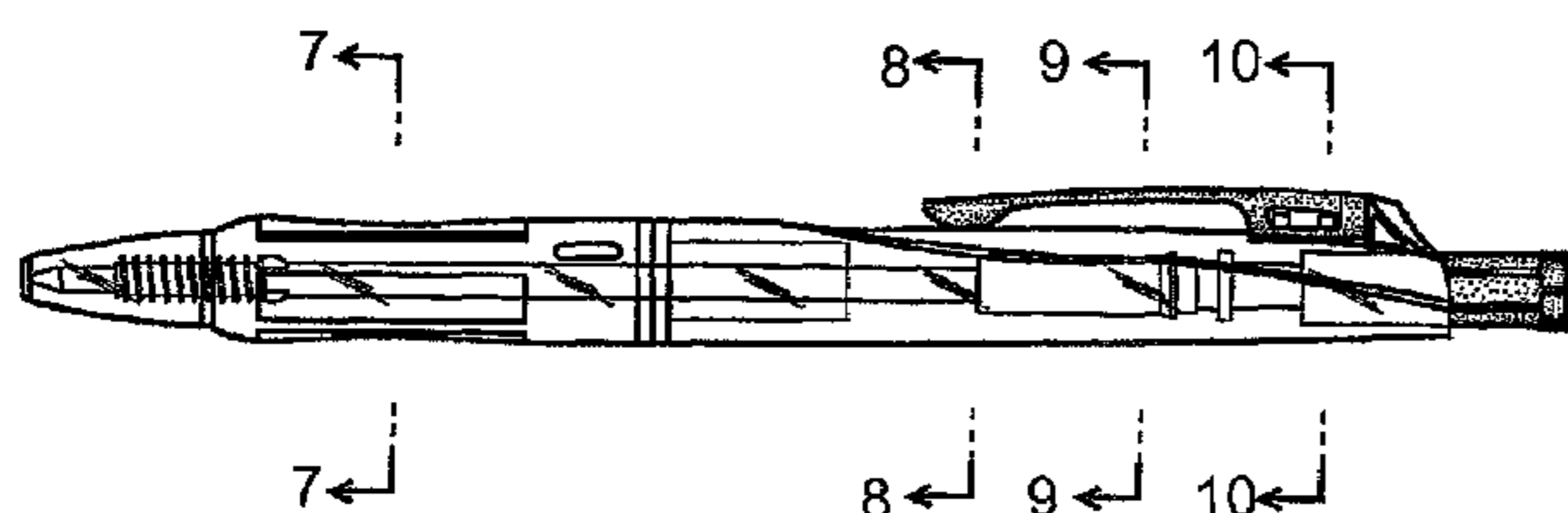


Fig. 1

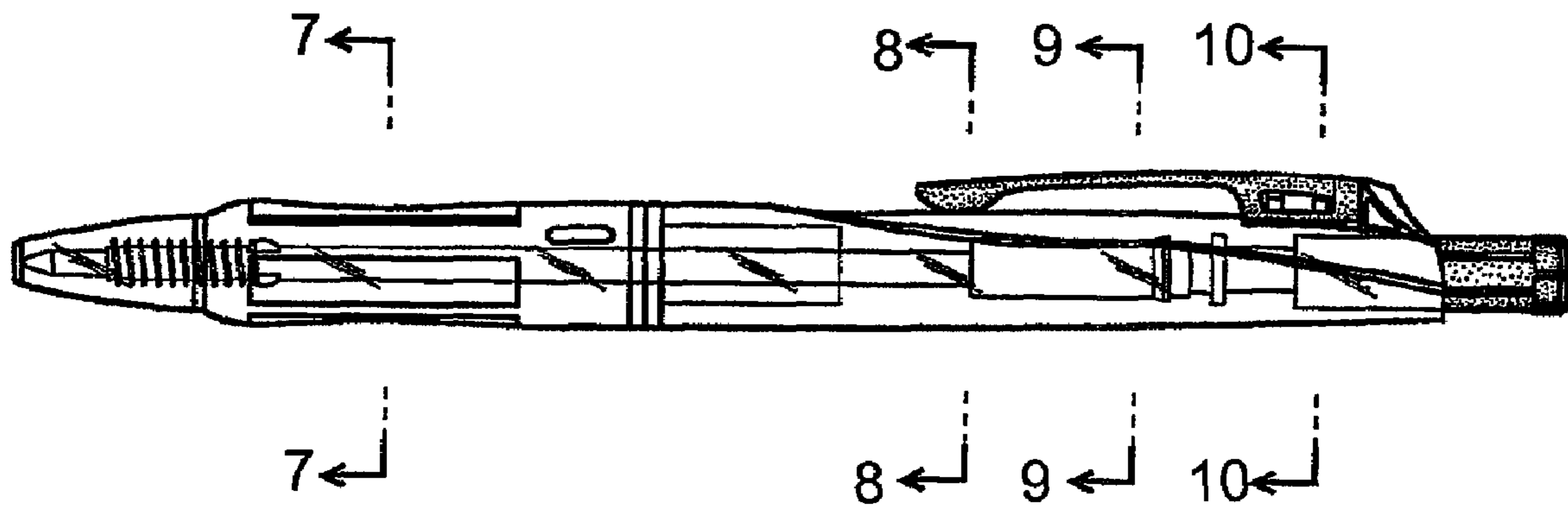


Fig. 2

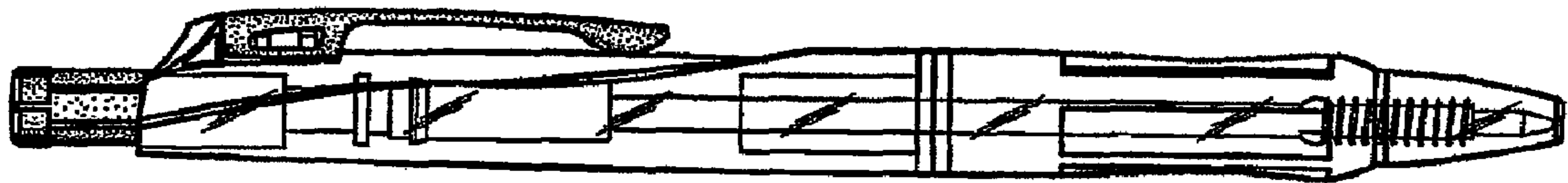


Fig. 3

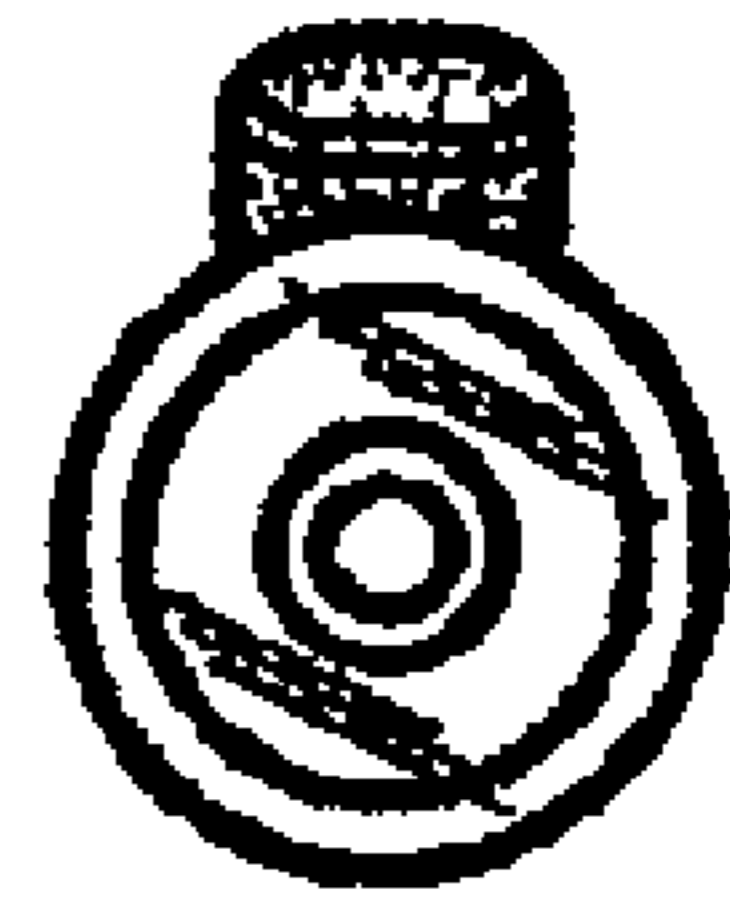


Fig. 4

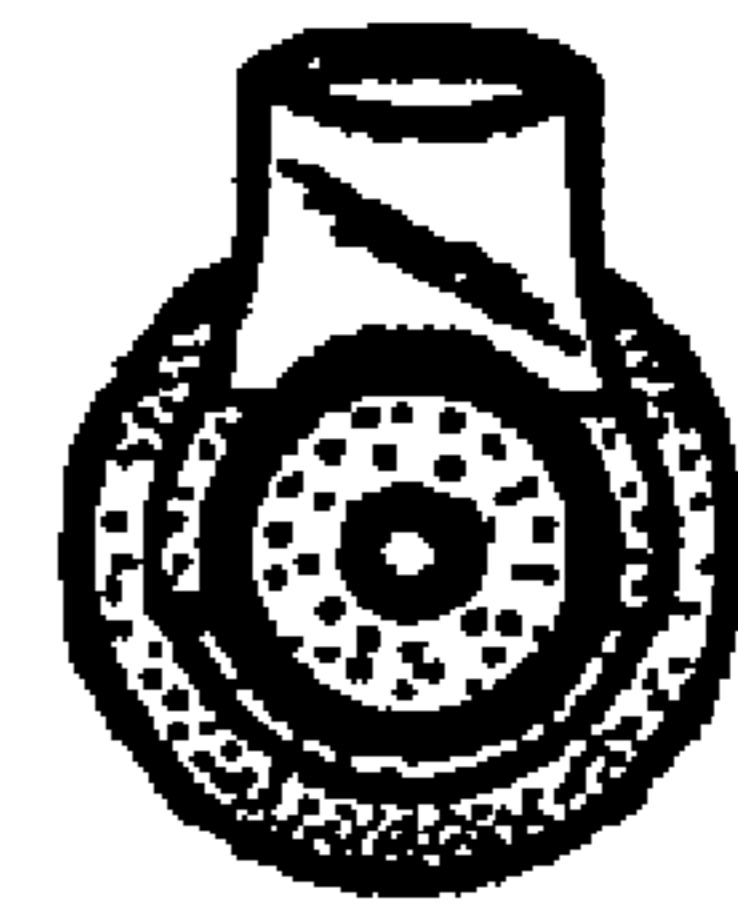


Fig. 5



Fig. 6



Fig. 7

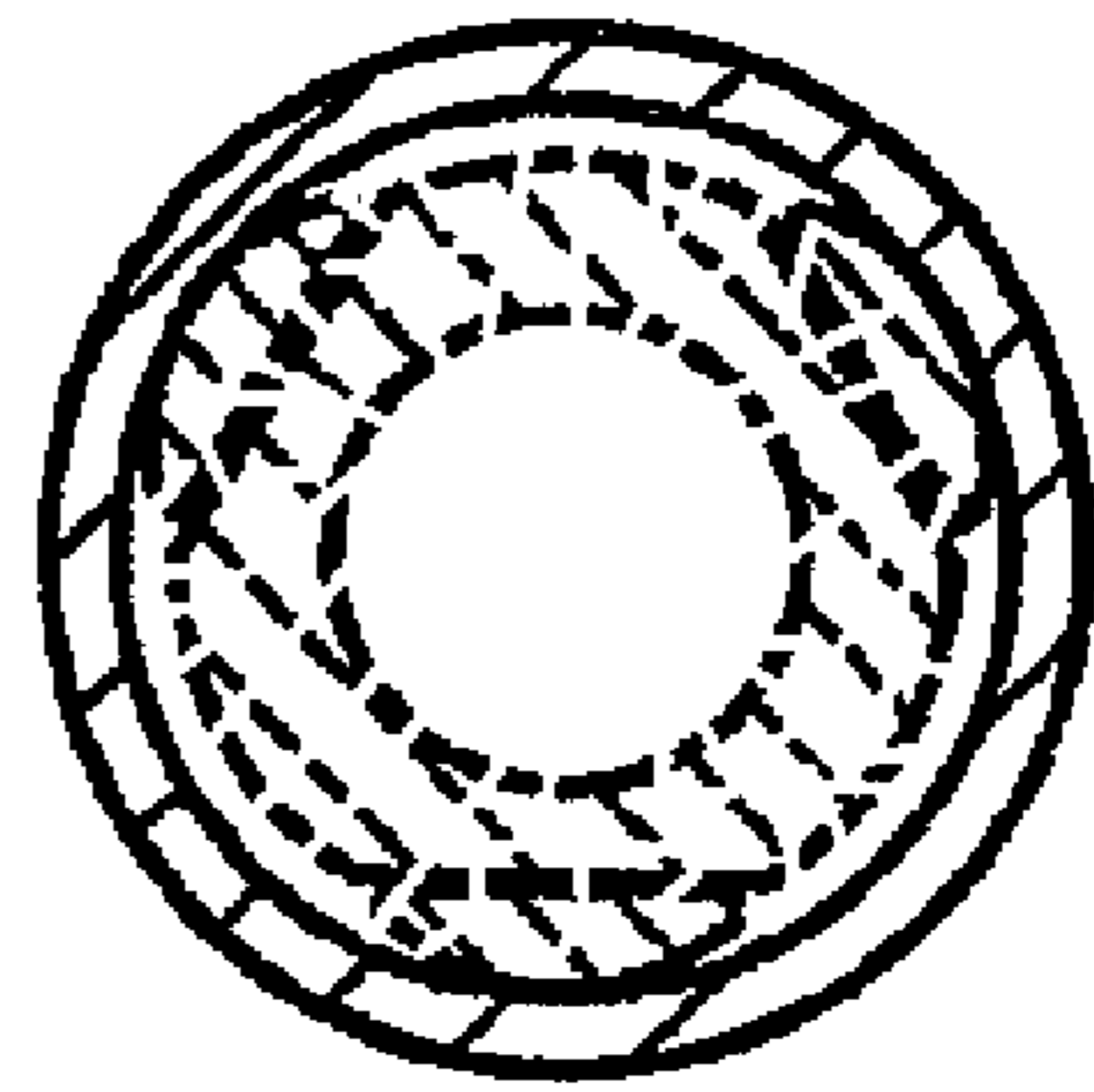


Fig. 8

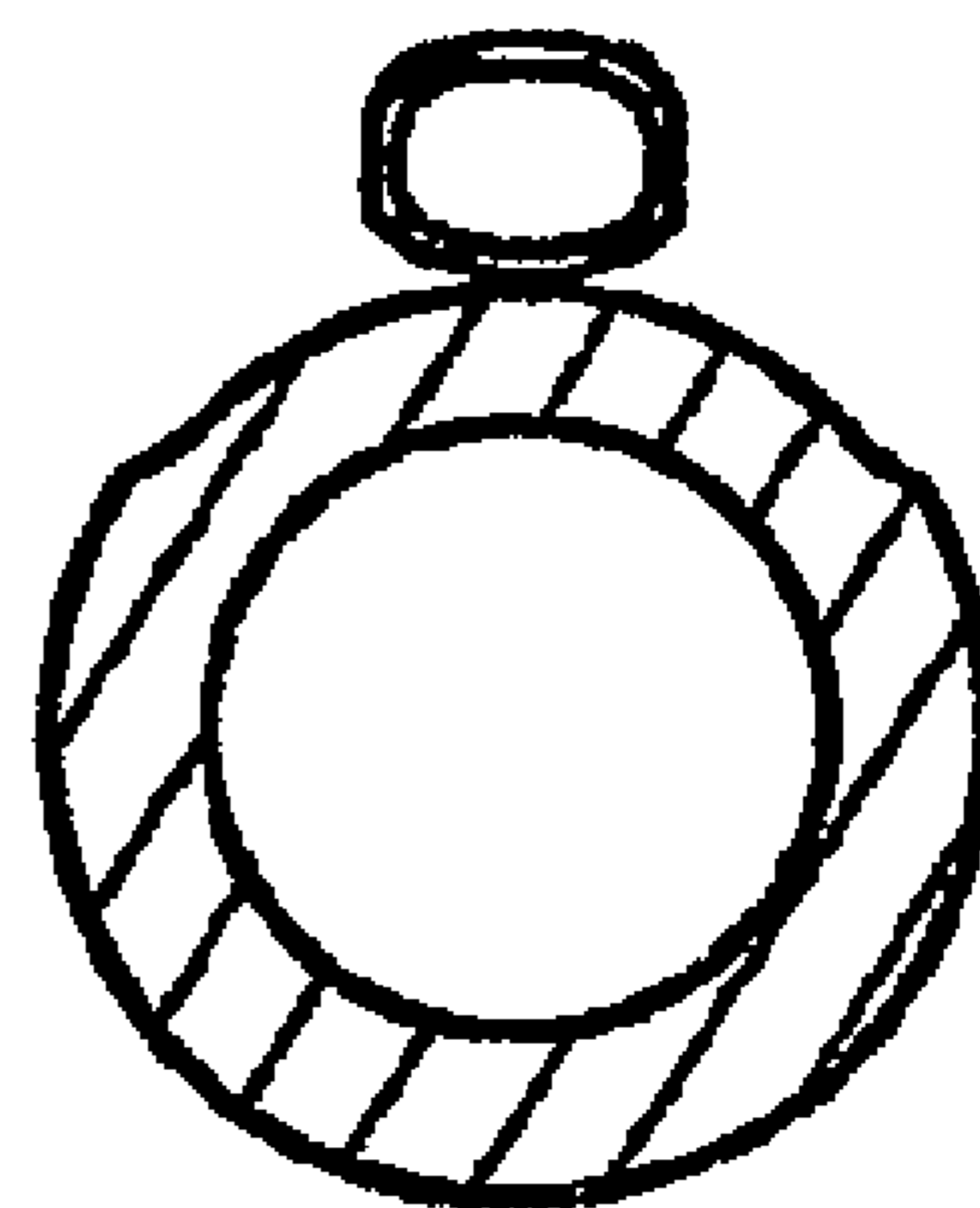


Fig. 9

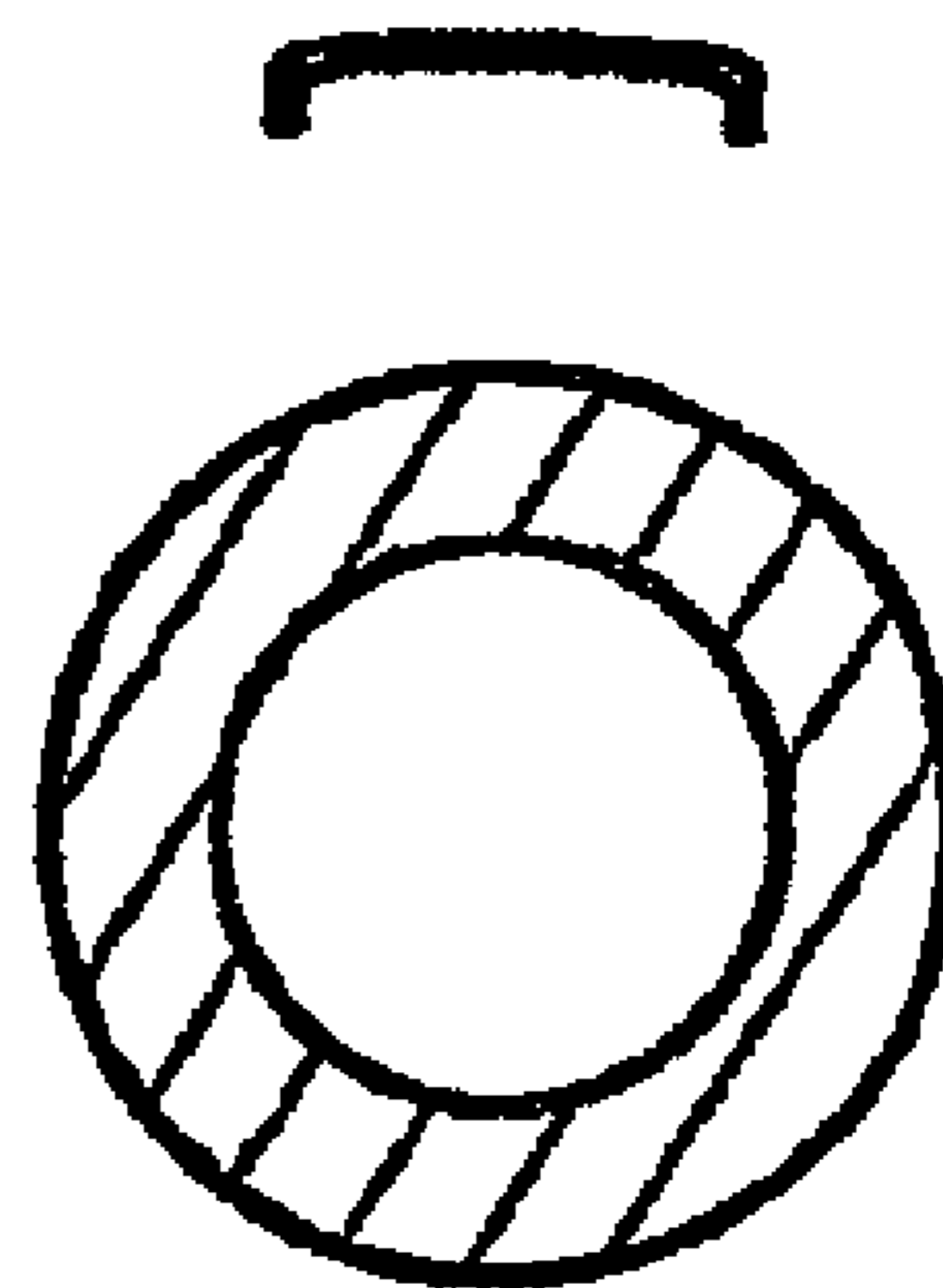


Fig. 10

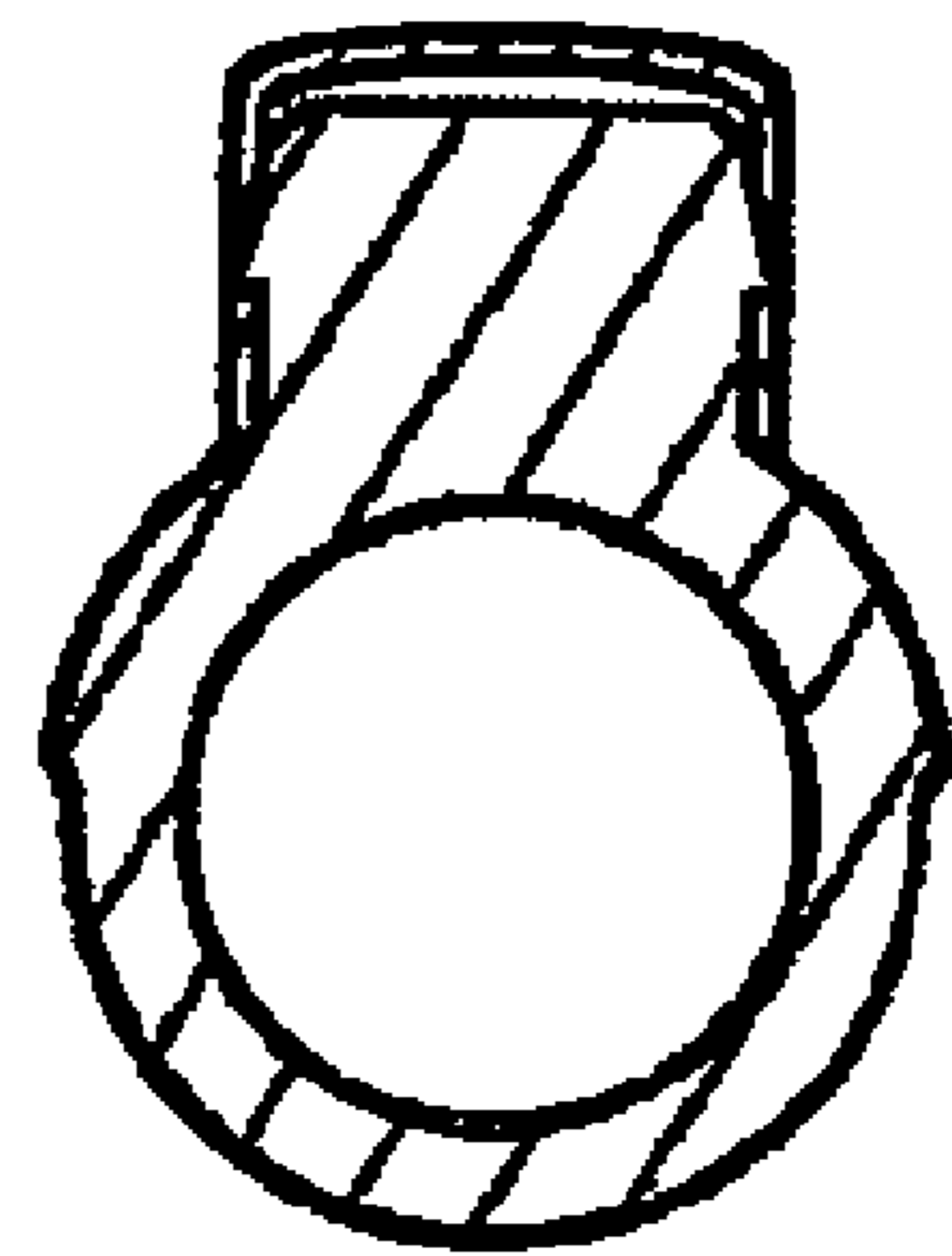


Fig. 11

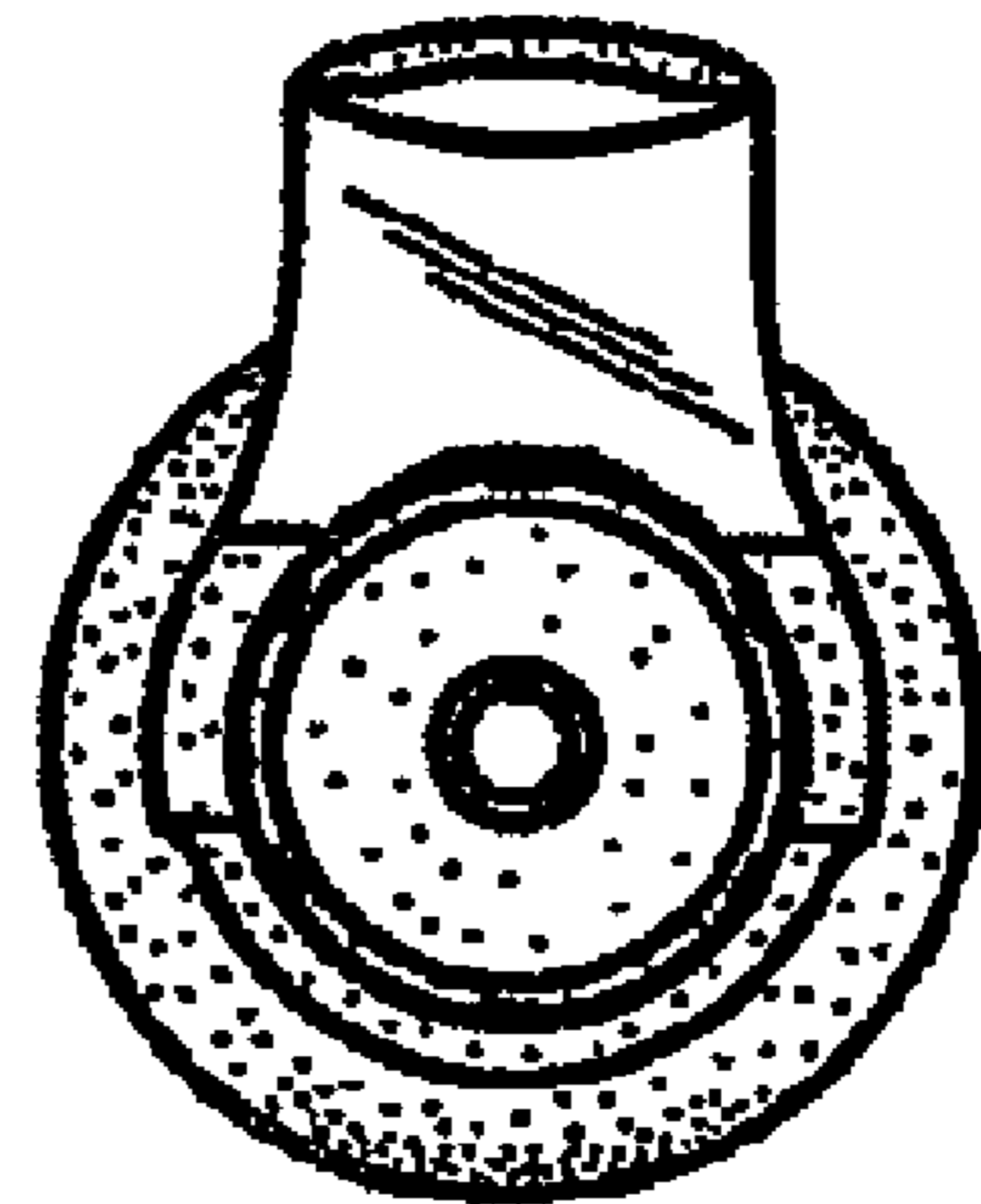


Fig. 12

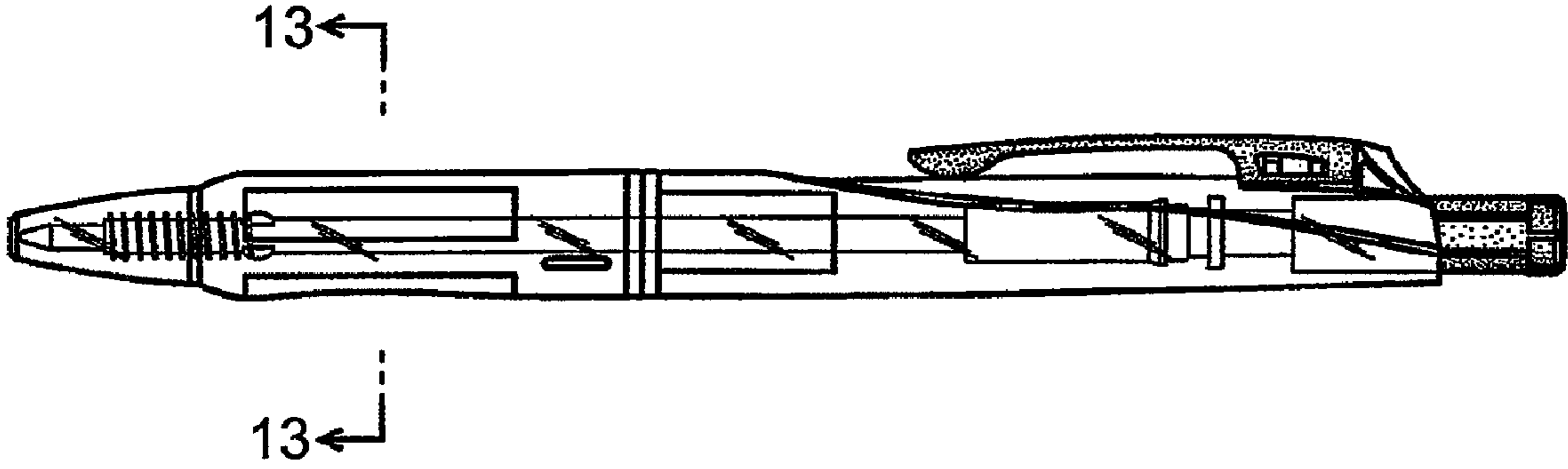


Fig. 13

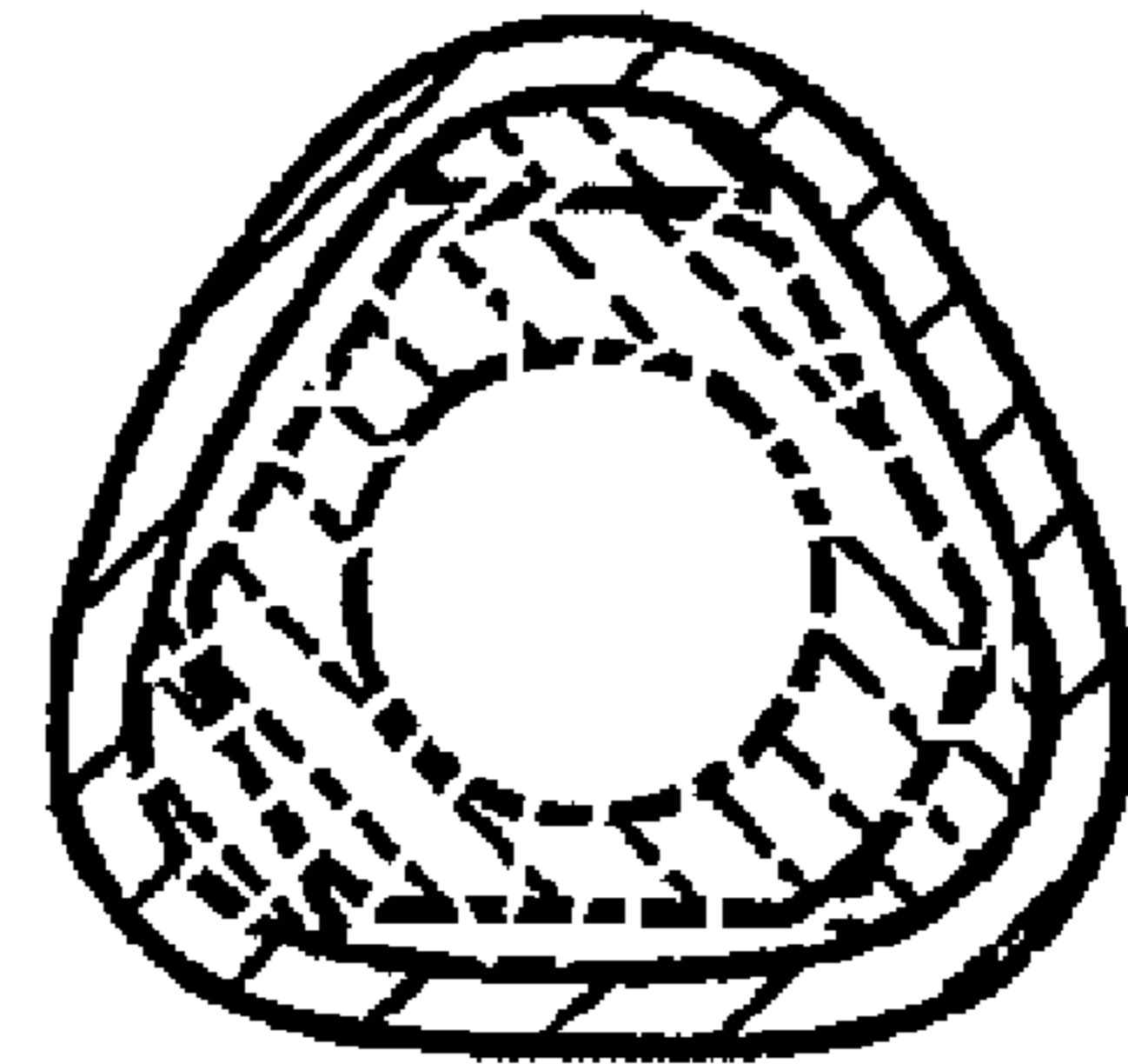


Fig. 14

