



US00D596230S

(12) **United States Design Patent**
Tan

(10) **Patent No.:** **US D596,230 S**
(45) **Date of Patent:** **** Jul. 14, 2009**

- (54) **PEN**
- (75) Inventor: **Junlin Tan**, Ningbo (CN)
- (73) Assignee: **Beifa Group Co., Ltd.**, Ningbo (CN)
- (**) Term: **14 Years**
- (21) Appl. No.: **29/305,347**
- (22) Filed: **Mar. 18, 2008**

(30) **Foreign Application Priority Data**
Sep. 20, 2007 (CN) 2007 3 0323553

- (51) **LOC (9) Cl.** **19-06**
- (52) **U.S. Cl.** **D19/43**
- (58) **Field of Classification Search** D19/35,
D19/36, 41, 42, 43, 44, 45, 46, 47, 48, 49,
D19/50, 51, 54, 55, 56, 57, 58; D27/146;
24/11 F, 11 P, 11 R; 401/6, 52, 99, 100,
401/104, 105, 106, 107, 108, 109, 192, 195,
401/243, 244, 245, 246, 247; 708/107
See application file for complete search history.

(56) **References Cited**

U.S. PATENT DOCUMENTS

D83,668 S *	3/1931	de Sherbinin	D99/35
D146,215 S *	1/1947	Florman	D19/51
D162,805 S	4/1951	Ferber		
3,288,113 A *	11/1966	Gabler	401/50
D326,868 S	6/1992	Nitta		
D334,589 S *	4/1993	Shike et al.	D19/36
D356,306 S *	3/1995	Ady et al.	D14/411
D377,195 S	1/1997	Takahashi		
D383,780 S *	9/1997	Young	D19/49
D394,673 S	5/1998	Moorthy		
D403,355 S *	12/1998	Fillion	D19/36
D444,499 S *	7/2001	Nakazawa	D19/49
D444,502 S *	7/2001	Luntz	D19/84

D467,970 S *	12/2002	Pellissa Beneyto	D19/43
D478,350 S	8/2003	Furlong		
D485,298 S	1/2004	Hung		
6,688,792 B1 *	2/2004	Reichmann et al.	401/34
D508,262 S *	8/2005	Reichmann	D19/36
D568,932 S	5/2008	Qiu		
D575,818 S *	8/2008	Zhang	D19/49
D580,493 S *	11/2008	Fei	D19/49
D580,977 S *	11/2008	Li	D19/49
D586,853 S *	2/2009	Tan	D19/49

* cited by examiner

Primary Examiner—Elizabeth A Albert
Assistant Examiner—Karen E Eldridge Powers
(74) *Attorney, Agent, or Firm*—Christensen O'Connor Johnson Kindness PLLC

(57) **CLAIM**

The ornamental design for a pen, as shown and described.

DESCRIPTION

FIG. 1 is an upper front right perspective view of a pen showing my new design;

FIG. 2 is an exploded lower front right perspective view thereof;

FIG. 3 is an upper rear right perspective view thereof, with the cap removed and placed on the opposite end of the pen;

FIG. 4 is an enlarged top plan view of the pen shown in FIG. 1;

FIG. 5 is an enlarged bottom plan view thereof;

FIG. 6 is a front elevation view thereof;

FIG. 7 is a right side elevation view thereof;

FIG. 8 is a rear elevation view thereof; and,

FIG. 9 is a left side elevation view thereof.

1 Claim, 4 Drawing Sheets

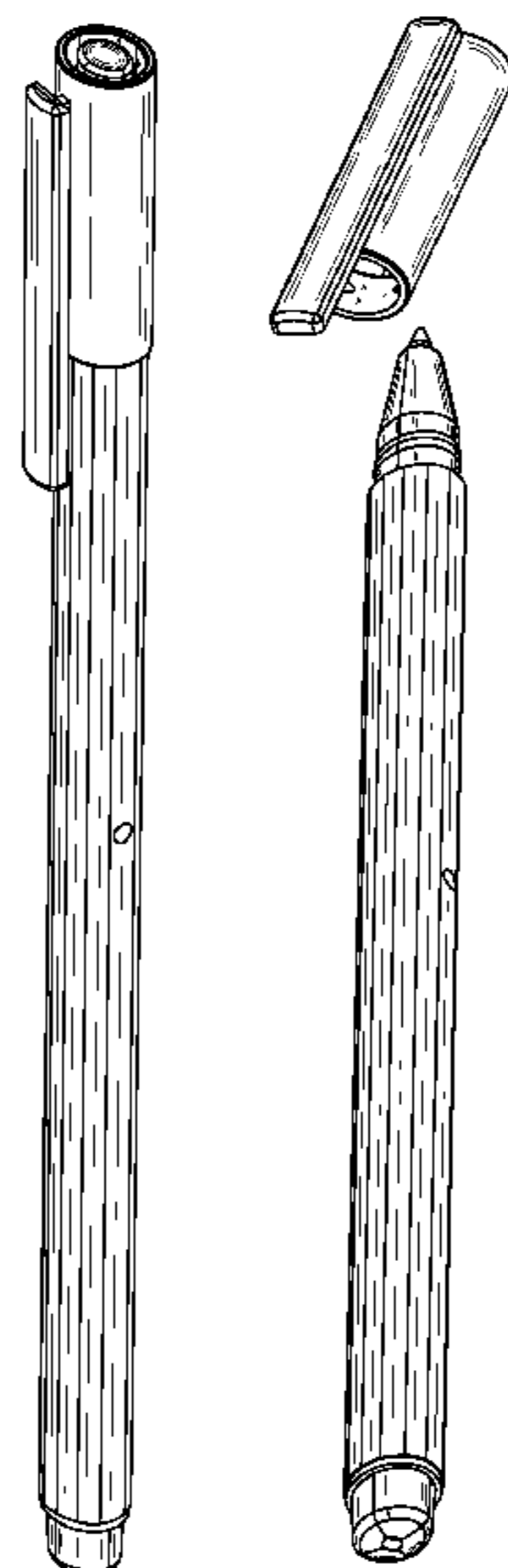


Fig.1.

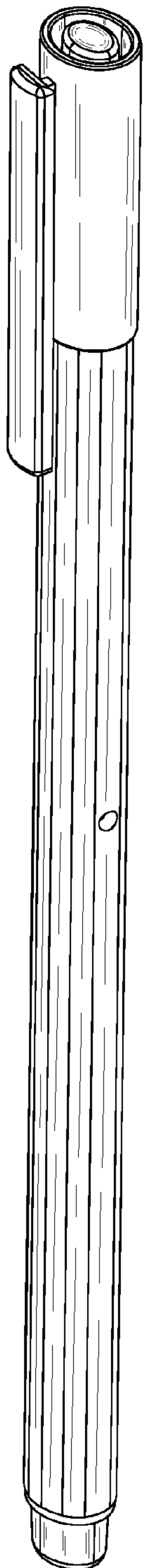


Fig.2.

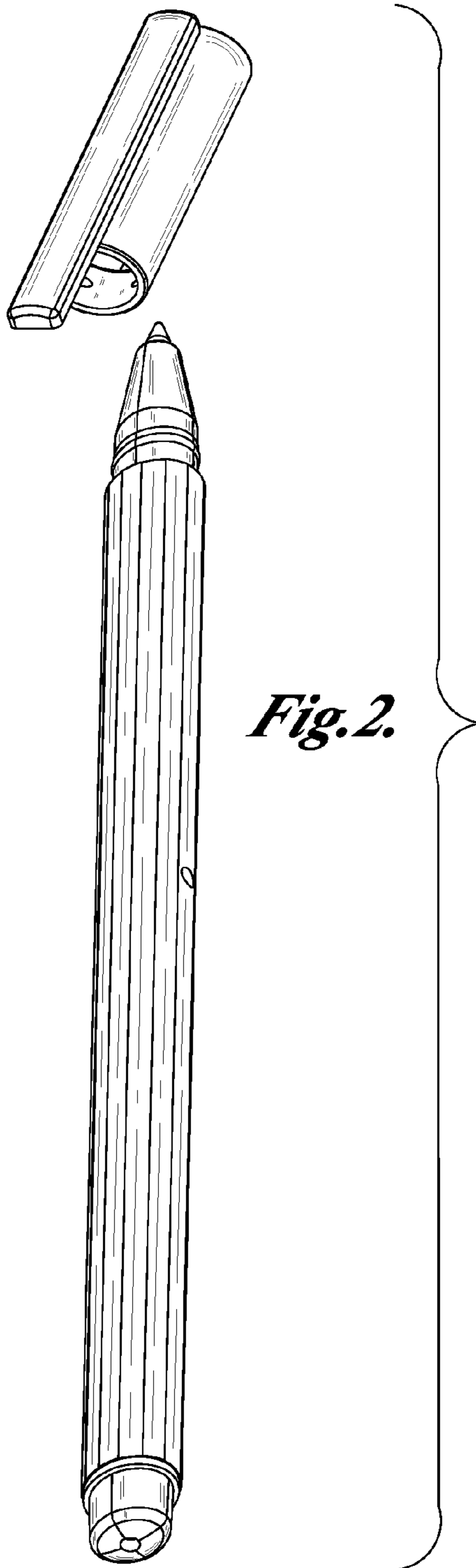


Fig.3.

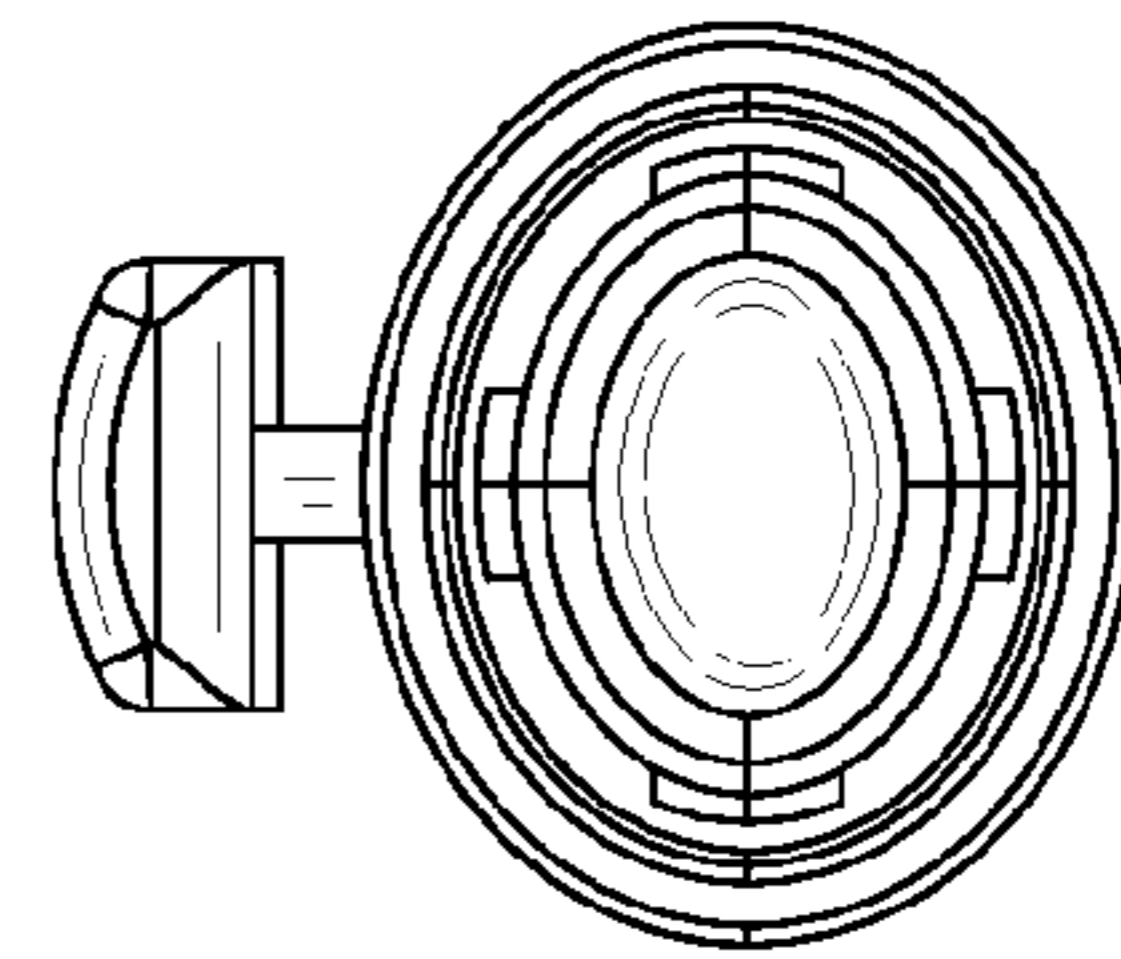
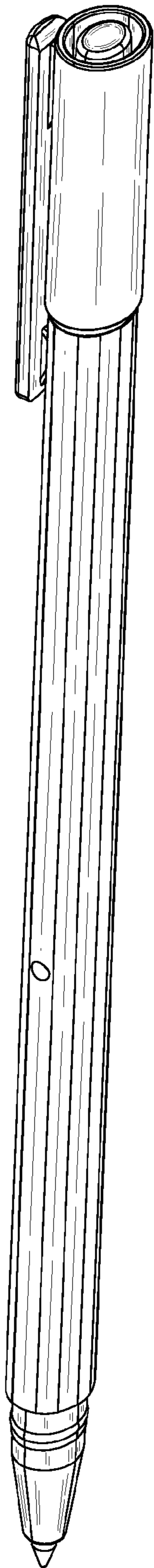


Fig.4.

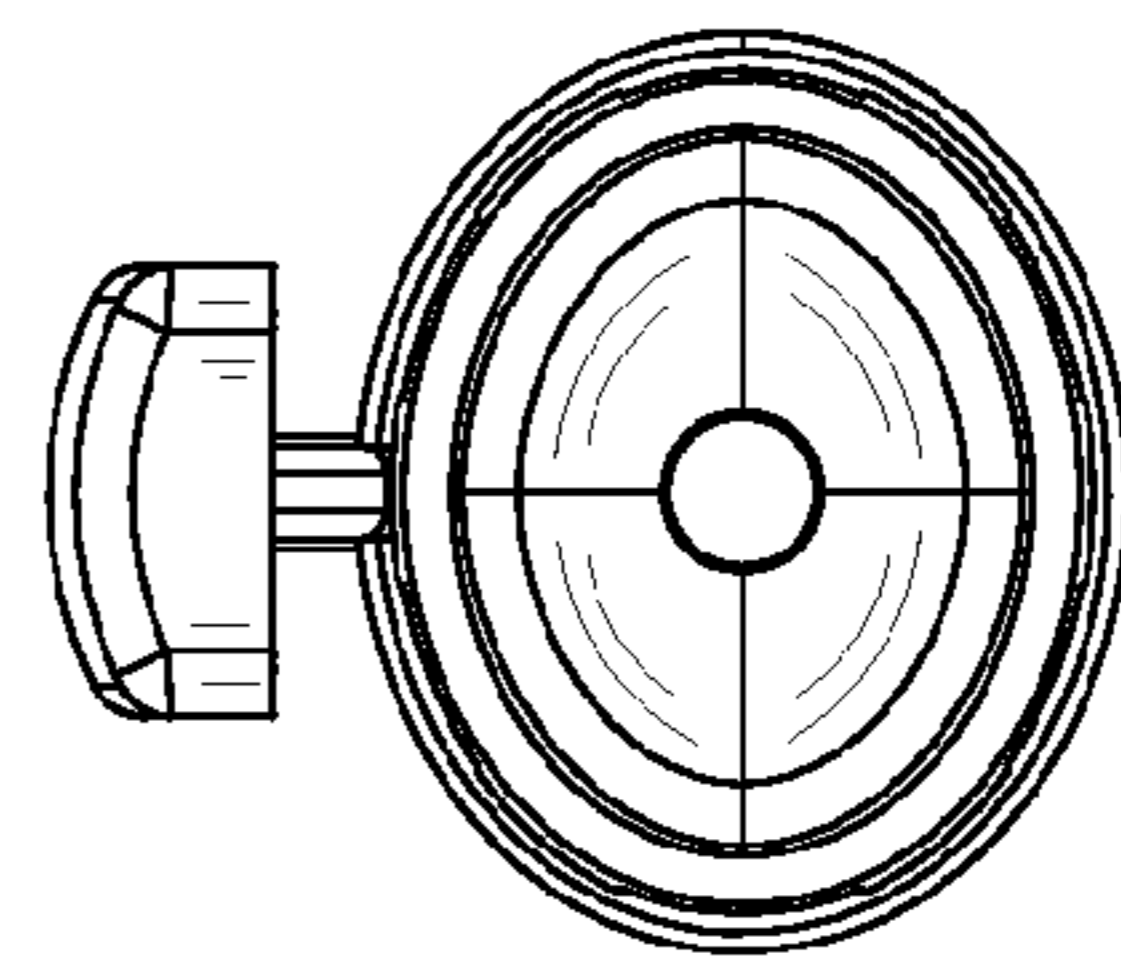


Fig.5.

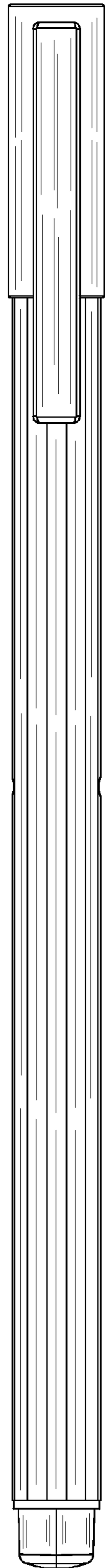


Fig. 6.

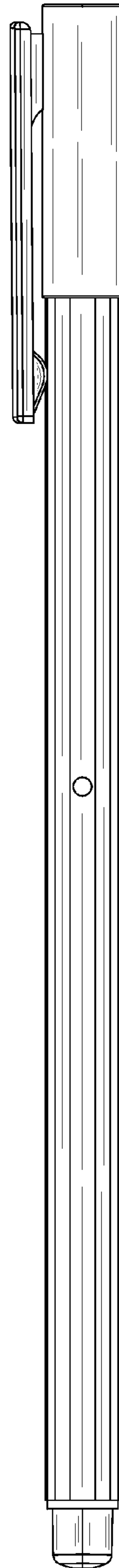


Fig. 7.

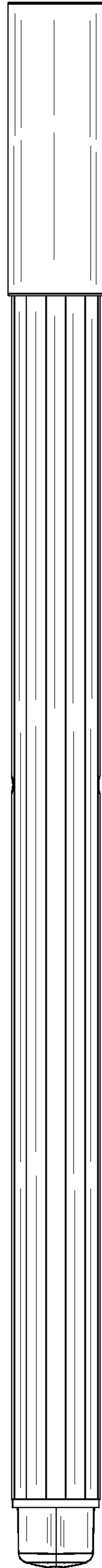


Fig. 8.

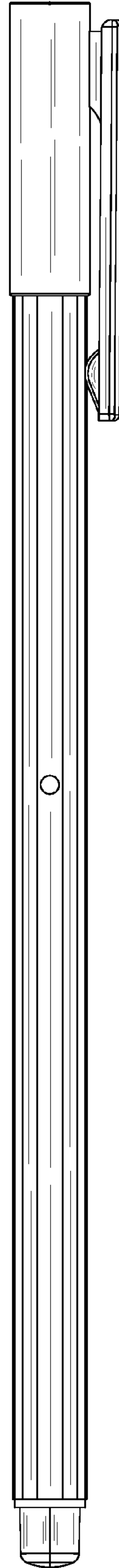


Fig. 9.