



US00D596227S

(12) **United States Design Patent**
Larson et al.

(10) **Patent No.:** **US D596,227 S**
(45) **Date of Patent:** **** Jul. 14, 2009**

(54) **PRINTER**

(75) Inventors: **David B. Larson**, Eagle, ID (US); **Julie A. Jenson**, Boise, ID (US); **Mike H. Okamura**, Boise, ID (US)

(73) Assignee: **Hewlett-Packard Development Company, L.P.**, Houston, TX (US)

(**) Term: **14 Years**

(21) Appl. No.: **29/304,535**

(22) Filed: **Mar. 4, 2008**

(51) **LOC (9) Cl.** **14-02**

(52) **U.S. Cl.** **D18/55**

(58) **Field of Classification Search** D18/36-39,
D18/19, 50, 54, 54.1, 55; D14/420-425,
D14/463-470; 400/613, 613.1-613.4, 690.1-690.4,
400/691-694

See application file for complete search history.

(56) **References Cited**

U.S. PATENT DOCUMENTS

D434,067	S	*	11/2000	Chen	D18/36
D456,834	S	*	5/2002	Fetherolf et al.	D18/36
D501,667	S	*	2/2005	Ishigami et al.	D18/50
D502,500	S	*	3/2005	Hoshiya et al.	D18/50
D521,061	S	*	5/2006	Katayama et al.	D18/55
D534,578	S	*	1/2007	Katayama et al.	D18/55

D536,372	S	*	2/2007	Lim et al.	D18/53
D539,283	S	*	3/2007	McIntyre	D14/425
D545,357	S	*	6/2007	Hattori et al.	D18/55
D575,330	S	*	8/2008	Egami et al.	D18/55
D586,385	S	*	2/2009	Kim et al.	D18/55

* cited by examiner

Primary Examiner—Cathy Anne MacCormac

(57) **CLAIM**

The ornamental design for a printer, as shown and described.

DESCRIPTION

FIG. 1 is a front perspective view of a printer showing our new design.

FIG. 2 is a front elevation view of the printer.

FIG. 3 is a rear elevation view of the printer.

FIG. 4 is a left side elevation view of the printer.

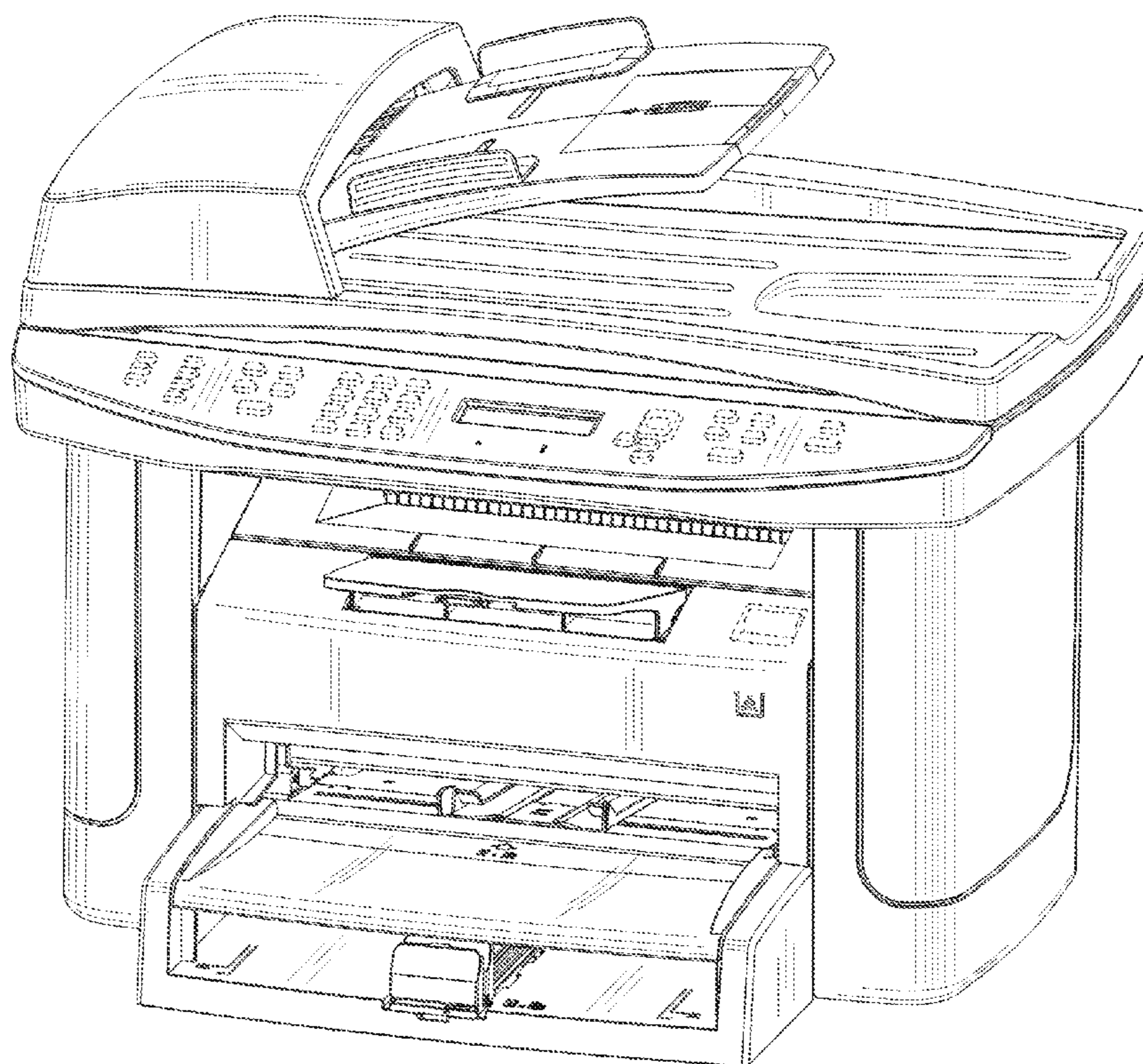
FIG. 5 is a right side elevation view of the printer.

FIG. 6 is a top plan view of the printer; and,

FIG. 7 is a bottom plan view of the printer.

FIGS. 1, 2, 4, 5 and 6 show various control devices or user interface elements of the printer in broken lines. Additionally, FIG. 3 shows various connectors of the printer in broken lines. The broken lines in the Figures are for illustrative purposes only and form no part of the claimed design.

1 Claim, 7 Drawing Sheets



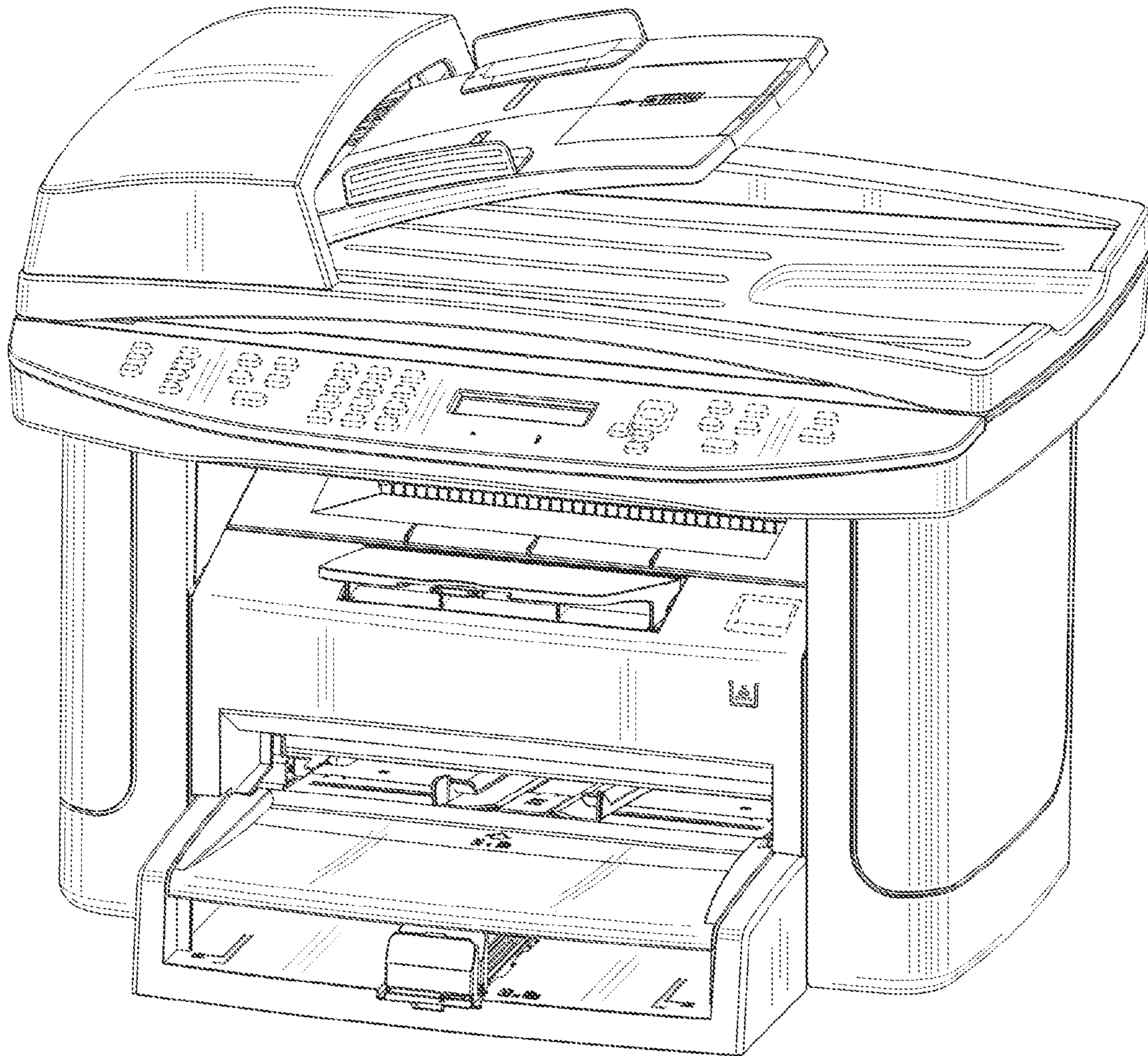


FIG. 1

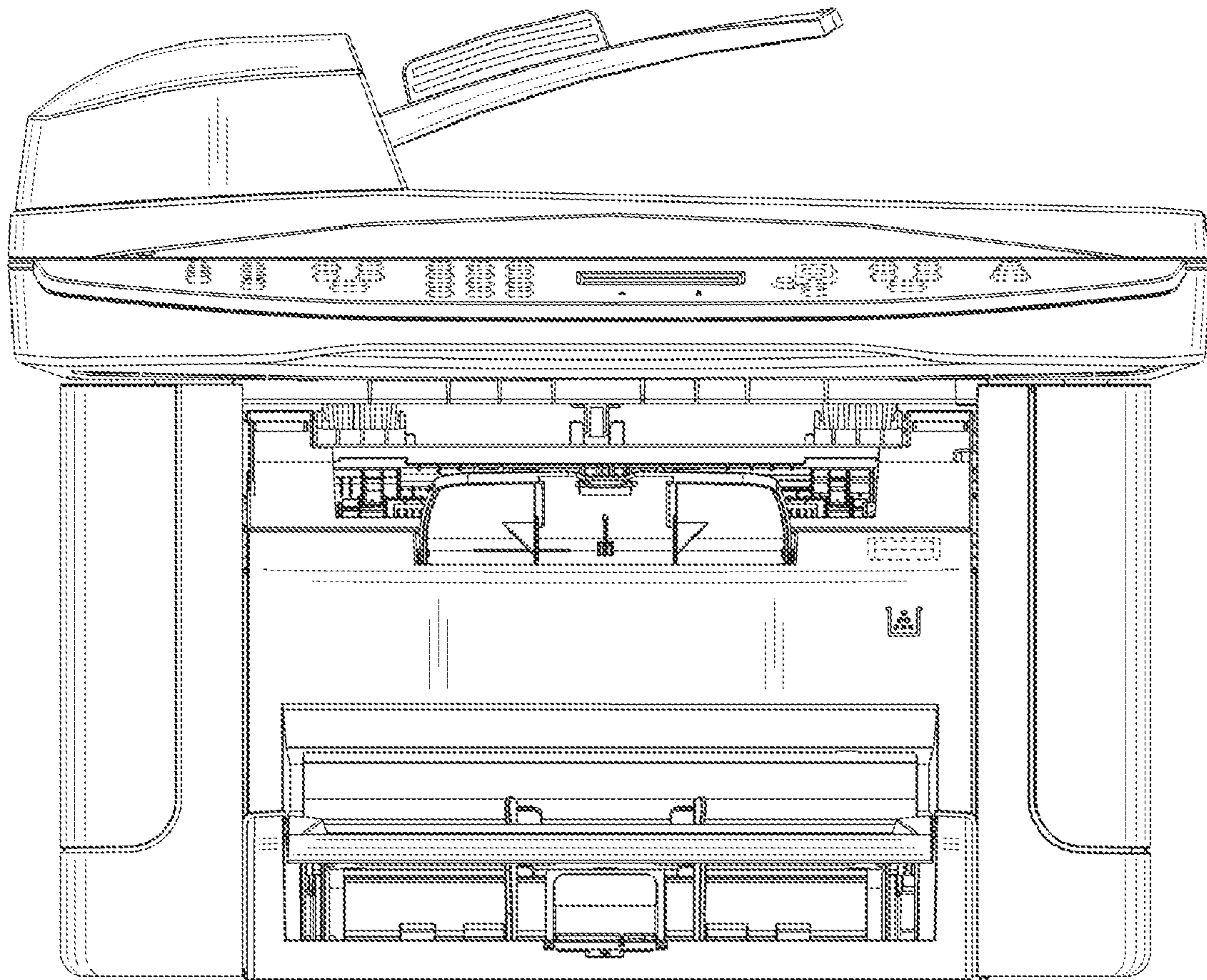


FIG. 2

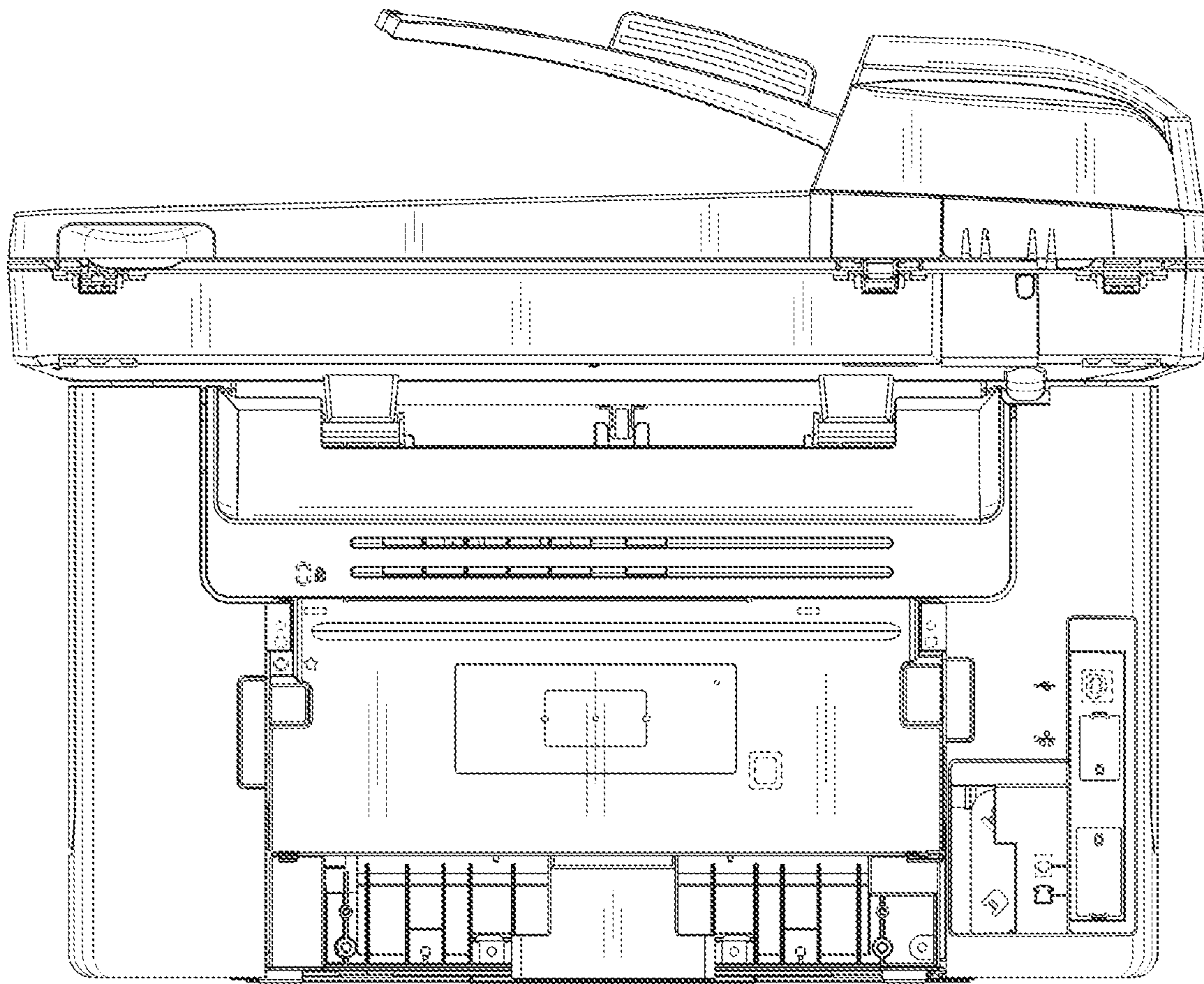


FIG. 3

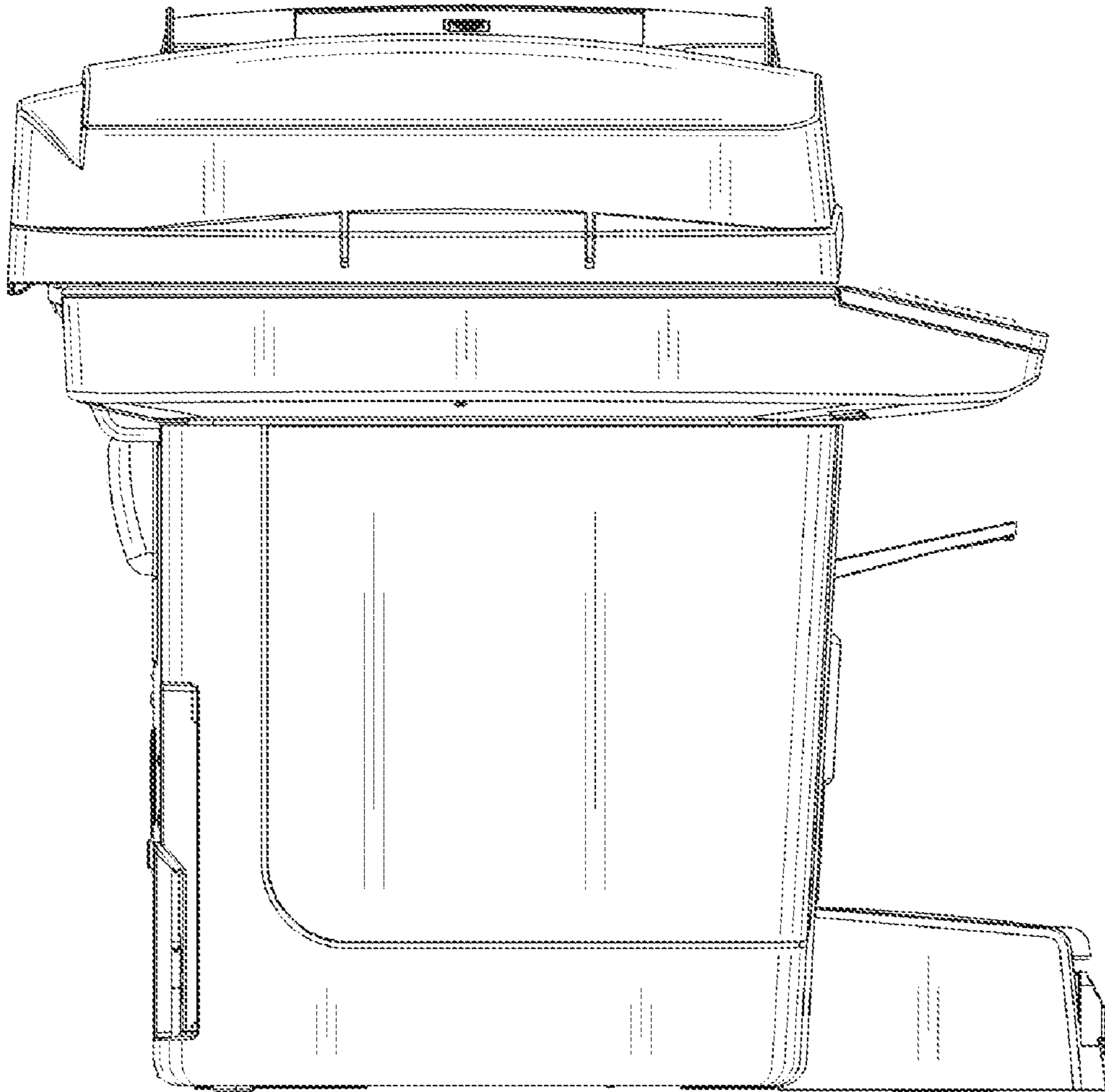


FIG. 4

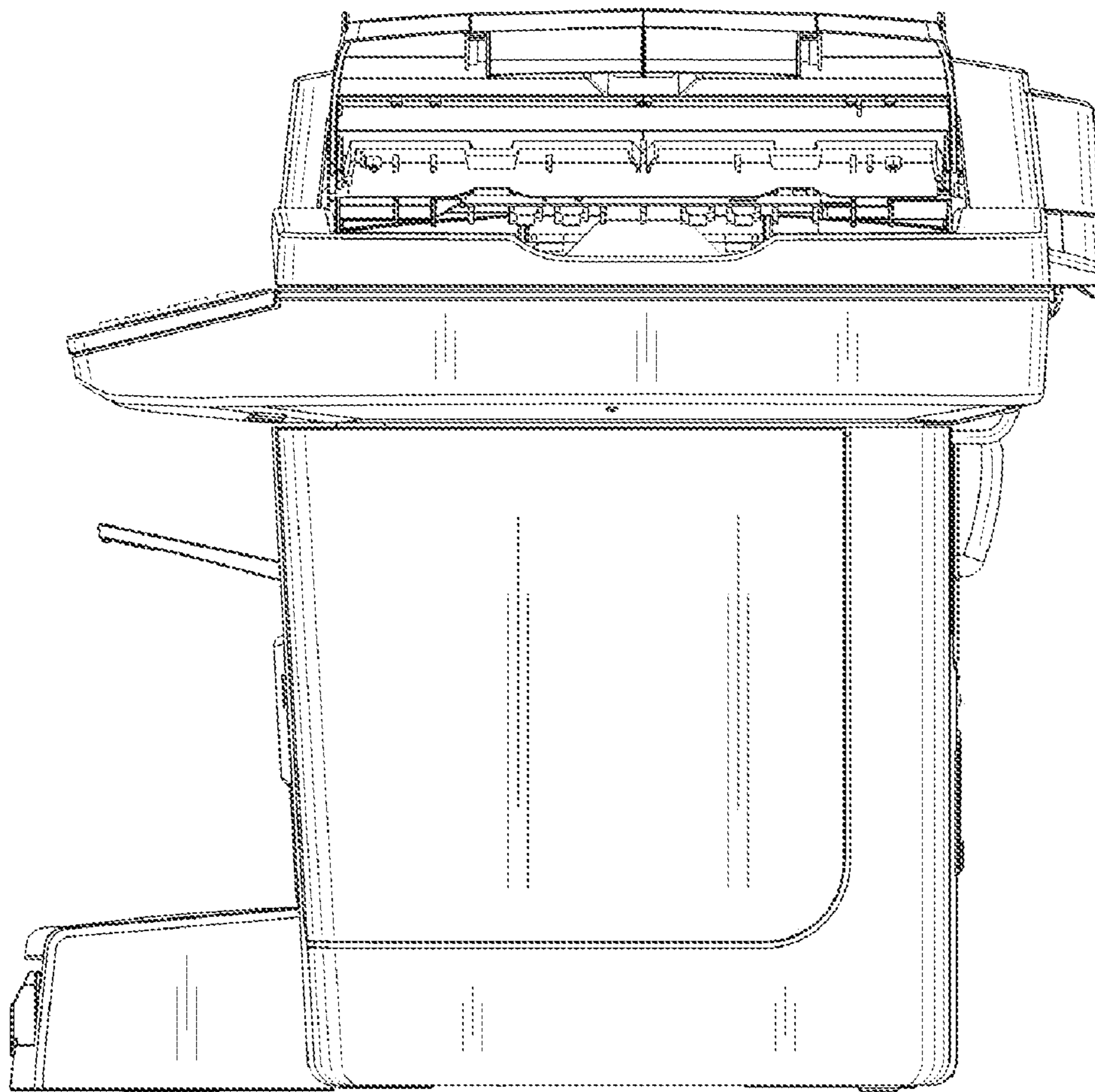


FIG. 5

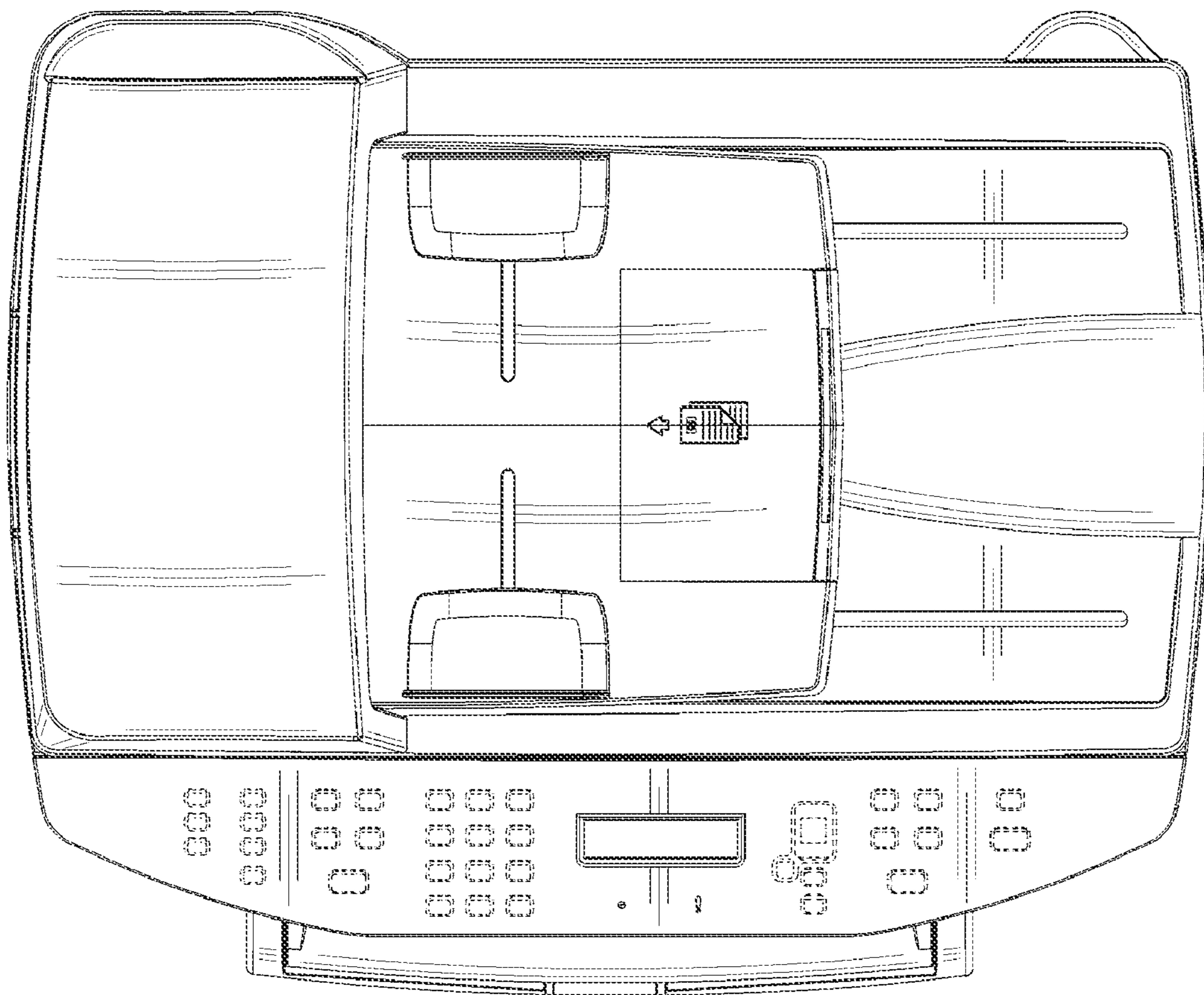


FIG. 6

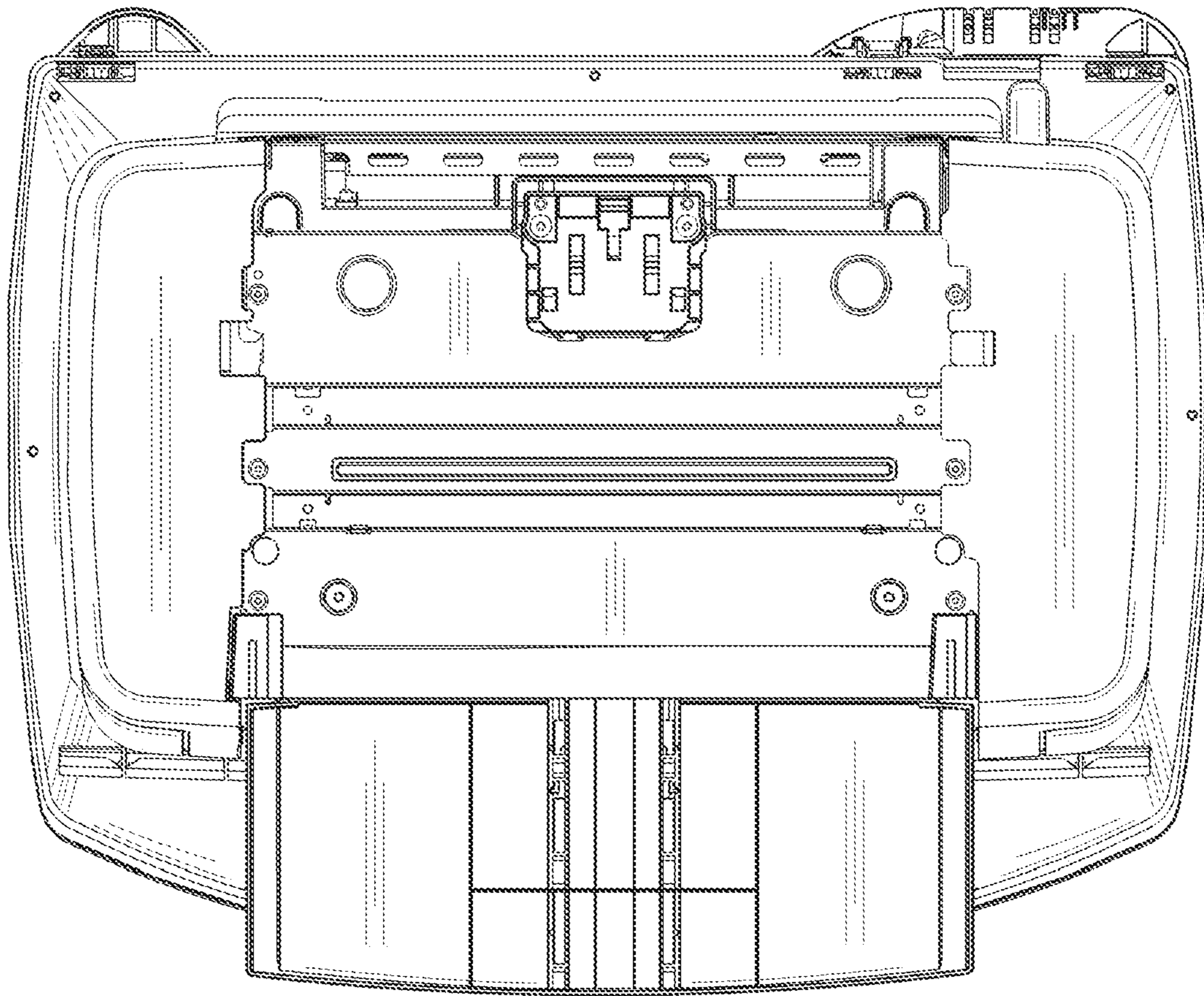


FIG. 7