

US00D596226S

(12) **United States Design Patent**
Yamaguchi

(10) **Patent No.:** **US D596,226 S**

(45) **Date of Patent:** **** Jul. 14, 2009**

(54) **PRINTER**

(75) Inventor: **Yasutake Yamaguchi**, Chiryu (JP)

(73) Assignee: **Brother Industries, Ltd.**, Nagoya (JP)

(**) Term: **14 Years**

(21) Appl. No.: **29/300,279**

(22) Filed: **Mar. 7, 2008**

(30) **Foreign Application Priority Data**

Oct. 4, 2007 (JP) 2007-027181

(51) **LOC (9) Cl.** **14-02**

(52) **U.S. Cl.** **D18/55**

(58) **Field of Classification Search** D18/36-39,
D18/19, 50, 54, 54.1, 55; D14/420-425,
D14/463-470; 400/613, 613.1-613.4, 690.1-690.4,
400/691-694

See application file for complete search history.

(56) **References Cited**

U.S. PATENT DOCUMENTS

D528,154 S * 9/2006 Hattori D18/54

D532,450 S * 11/2006 Smith et al. D18/55

D550,768 S * 9/2007 Hoshiya et al. D18/55

D556,256 S * 11/2007 Matsumoto D18/55

D561,250 S * 2/2008 Smith et al. D18/55

D579,973 S * 11/2008 Park et al. D18/55

D586,384 S * 2/2009 Yamaguchi et al. D18/55

* cited by examiner

Primary Examiner—Cathy Anne MacCormac

(74) *Attorney, Agent, or Firm*—Oliff & Berridge, PLC

(57) **CLAIM**

The ornamental design for a printer, as shown and described.

DESCRIPTION

FIG. 1 is a perspective view of a printer;

FIG. 2 is a front view thereof;

FIG. 3 is a top view thereof;

FIG. 4 is a right-side view thereof;

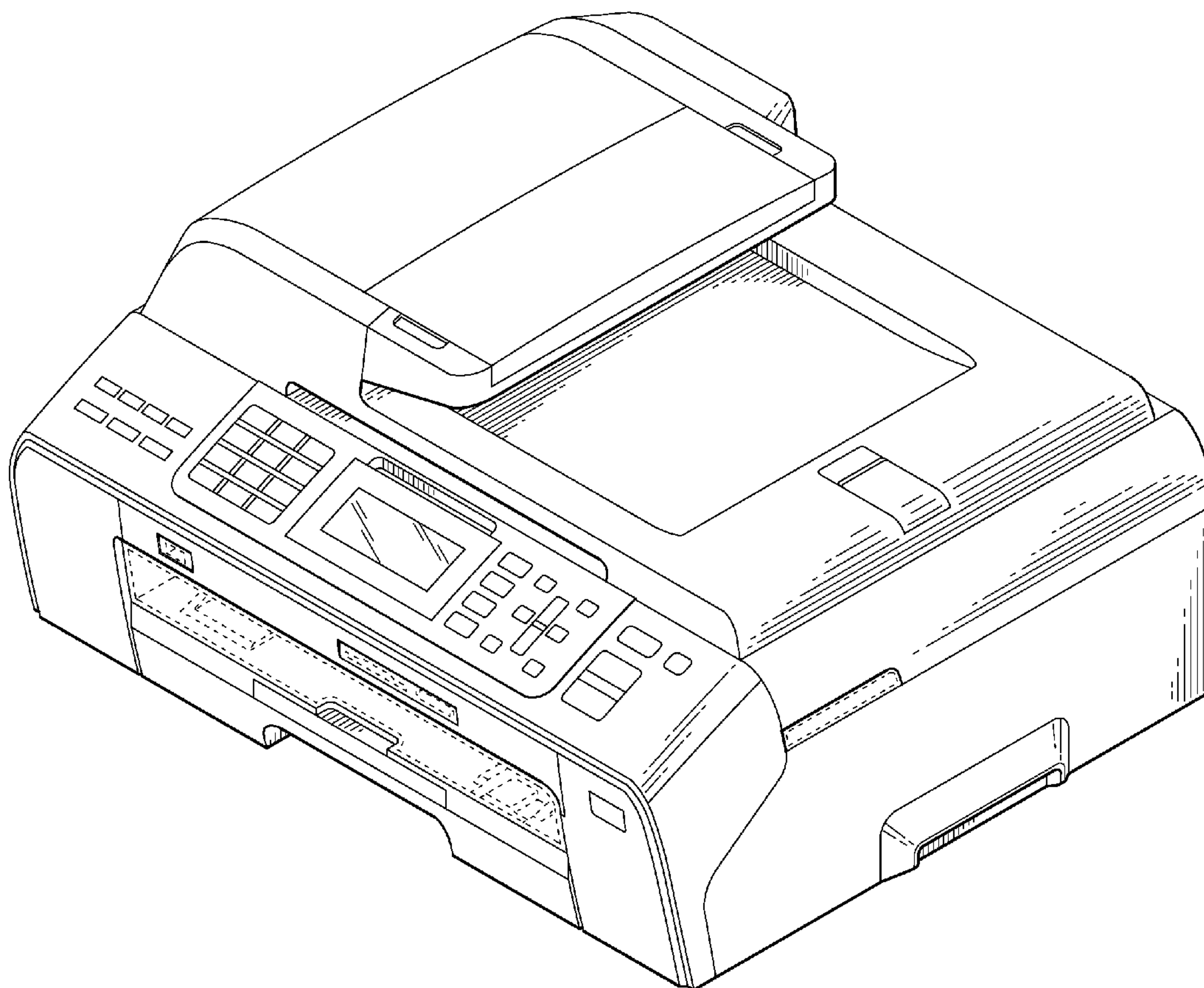
FIG. 5 is a left-side view thereof;

FIG. 6 is a rear view thereof; and,

FIG. 7 is a bottom view thereof.

The broken lines depict environmental subject matter only and form no part of the claimed design.

1 Claim, 6 Drawing Sheets



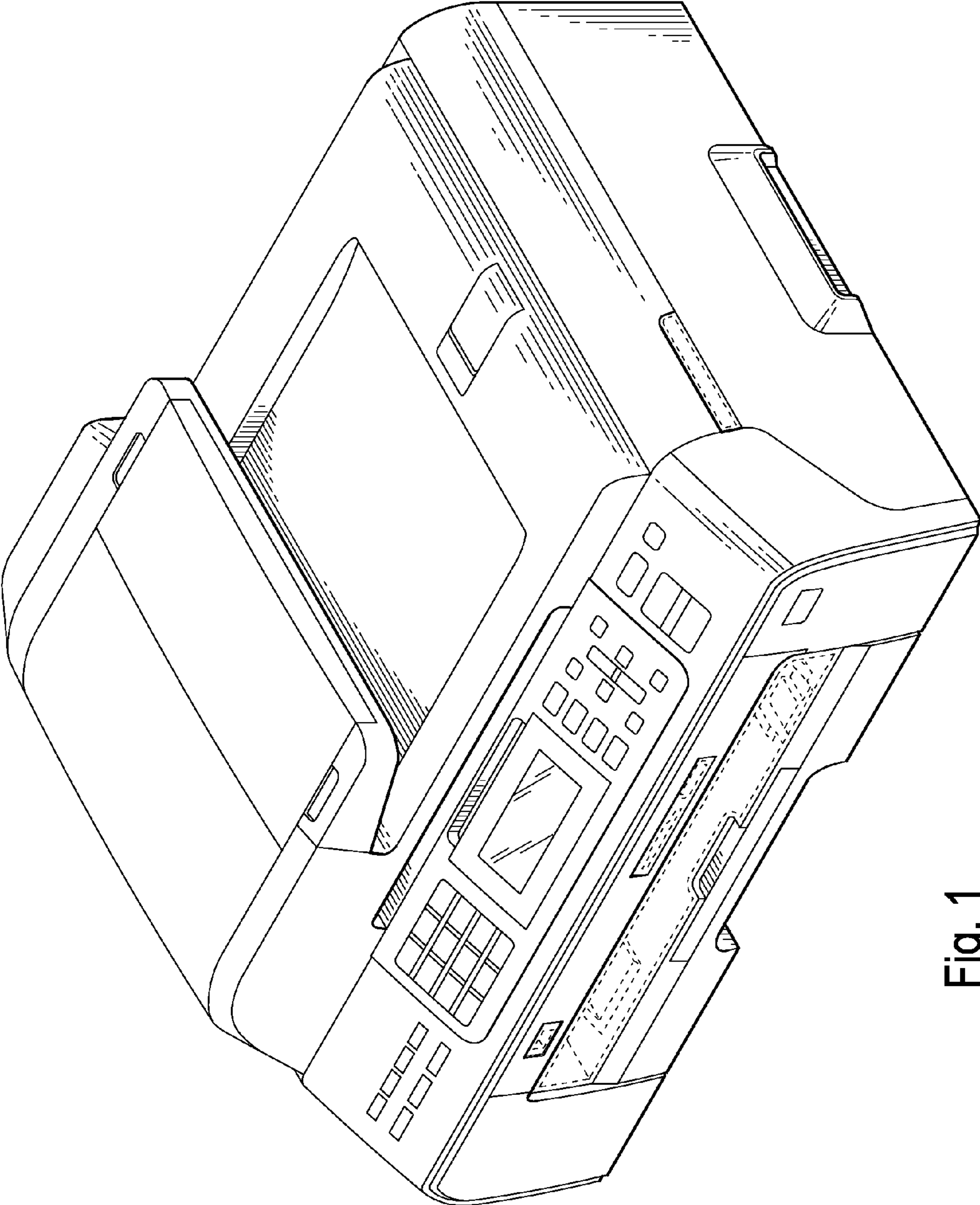


Fig. 1

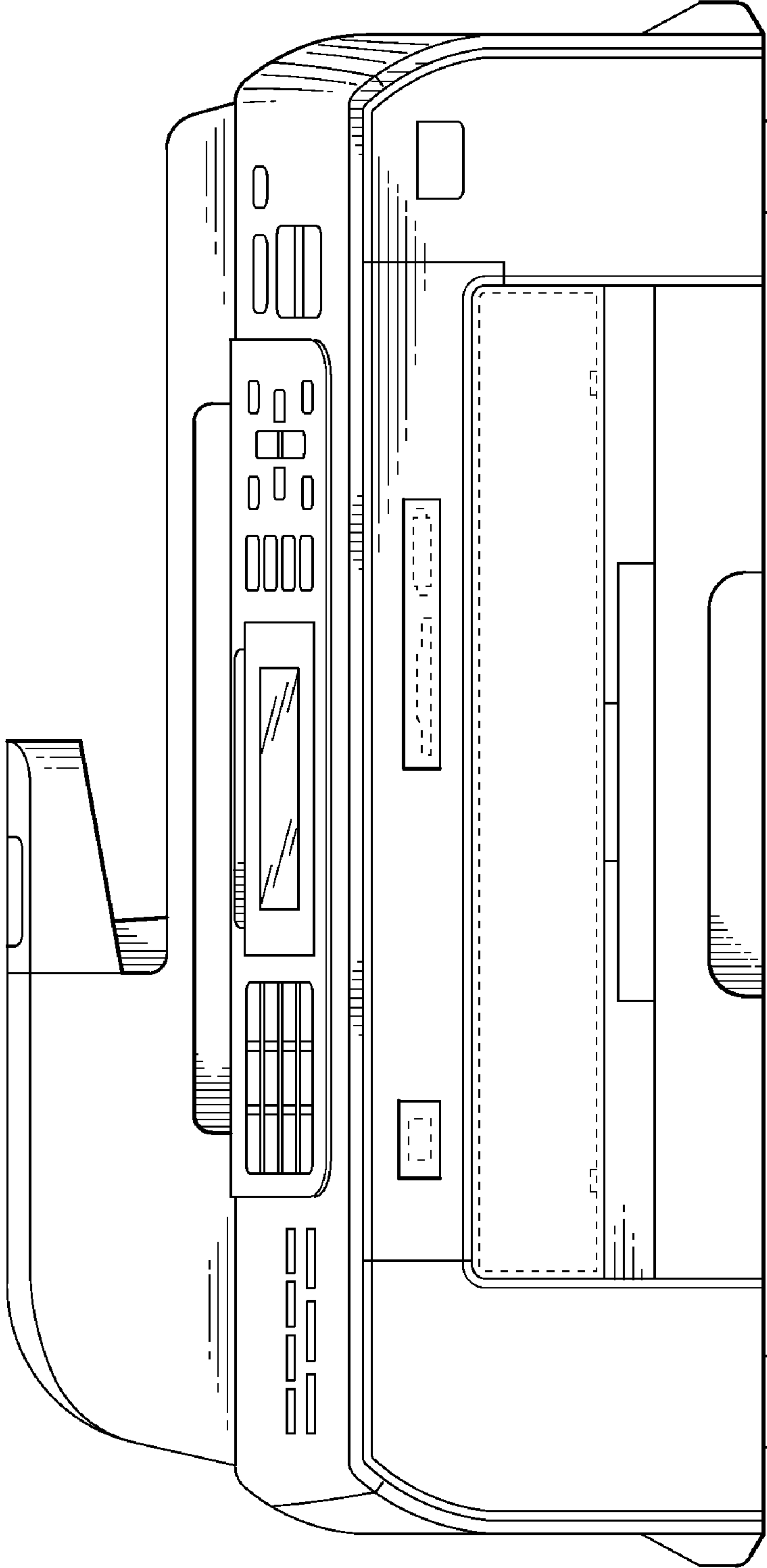


Fig. 2

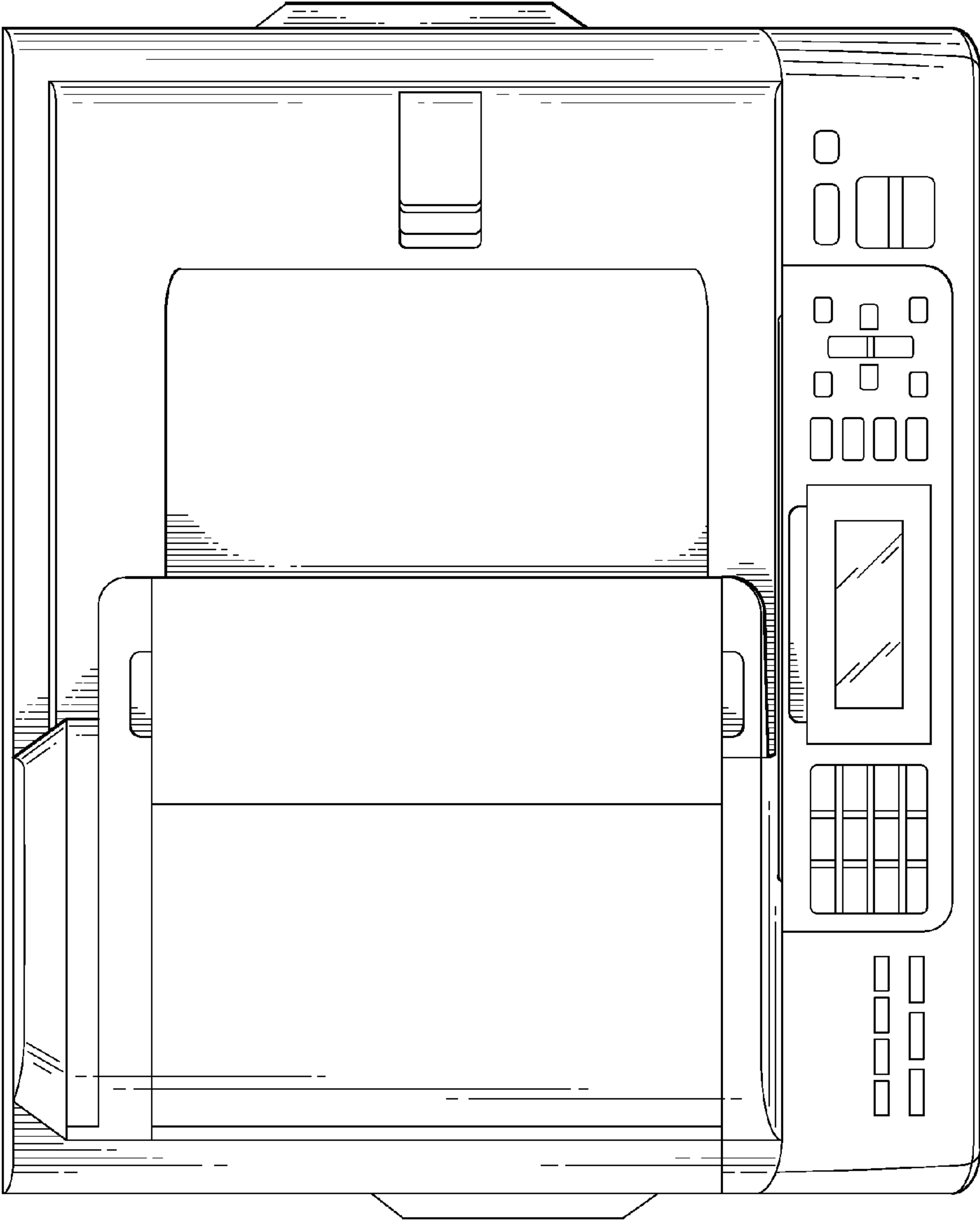


Fig. 3

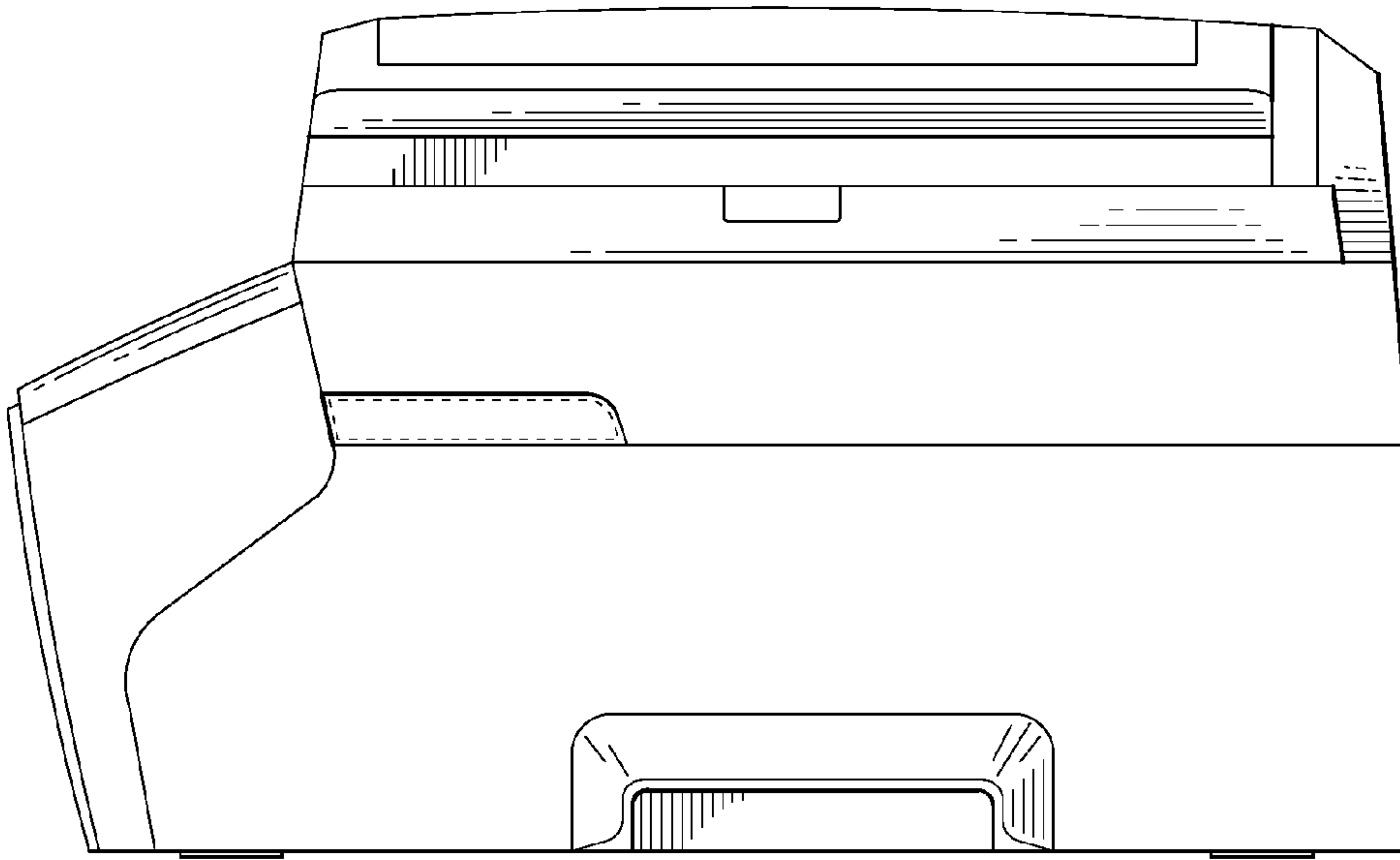


Fig. 4

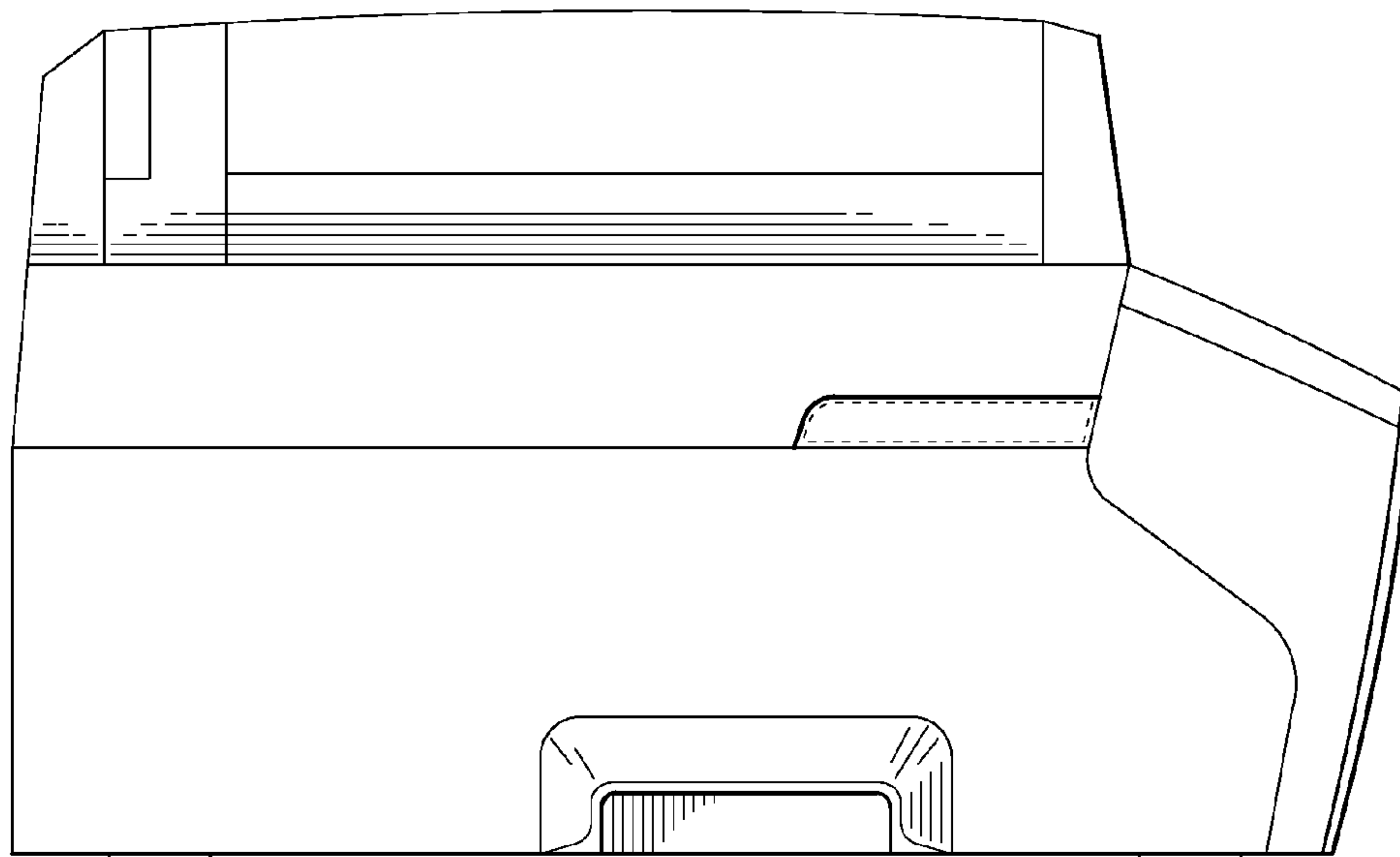


Fig. 5

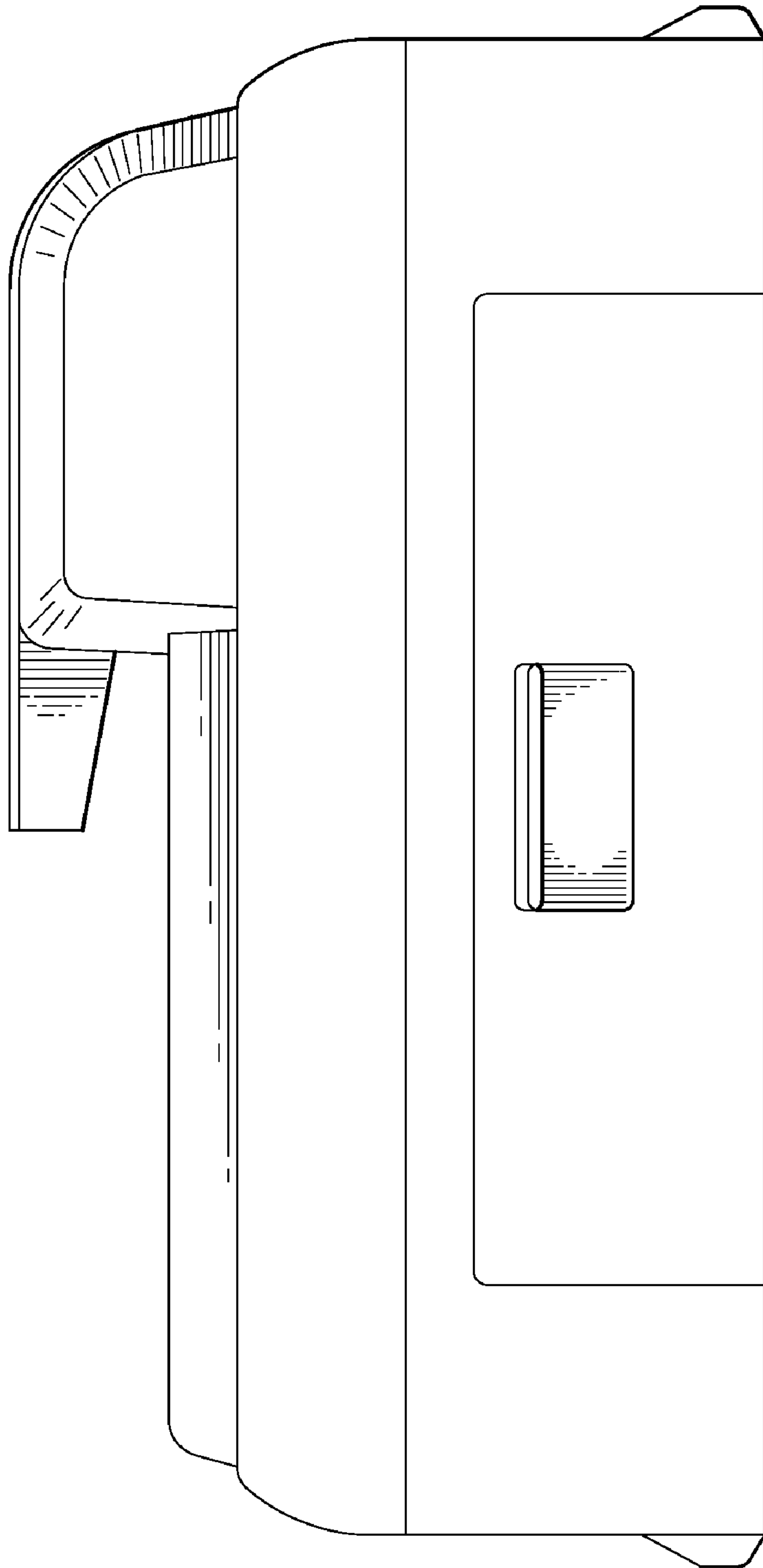


Fig. 6

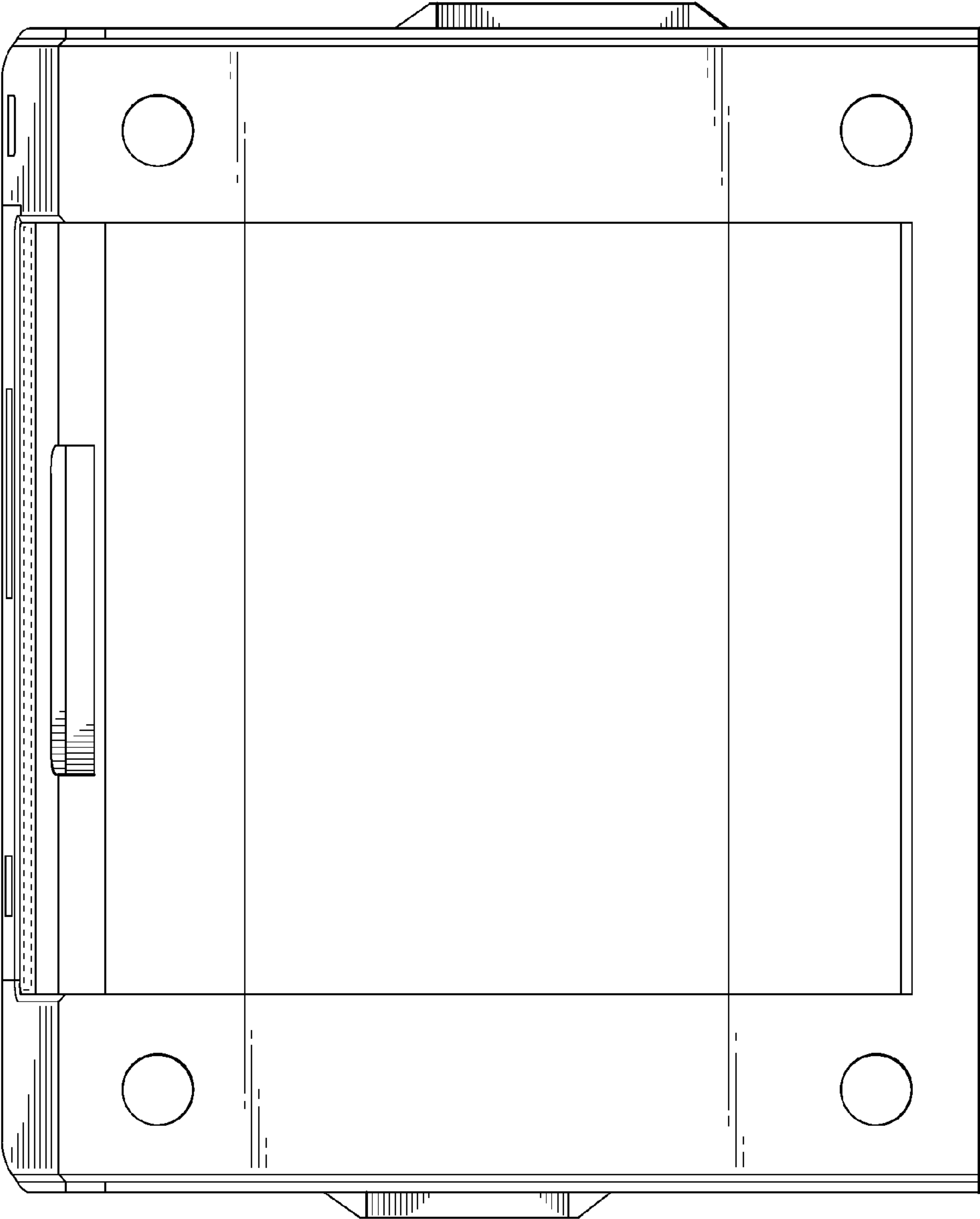


Fig. 7