



US00D596222S

(12) **United States Design Patent**  
**Onishi**

(10) **Patent No.:** **US D596,222 S**  
(45) **Date of Patent:** **\*\* Jul. 14, 2009**

(54) **ELECTRONIC DRUM**

(75) Inventor: **Tamie Onishi**, Hamamatsu (JP)

(73) Assignee: **Yamaha Corporation**, Hamamatsu-shi (JP)

(\*\*) Term: **14 Years**

(21) Appl. No.: **29/321,219**

(22) Filed: **Jul. 14, 2008**

(30) **Foreign Application Priority Data**

Jan. 16, 2008 (JP) ..... 2008-000633

(51) **LOC (9) Cl.** ..... **17-04**

(52) **U.S. Cl.** ..... **D17/22**

(58) **Field of Classification Search** ..... D17/22,  
D17/99; 84/104, 106-108, 411 R, 414, 415,  
84/419, 420, 411 P, DIG. 12; D21/405  
See application file for complete search history.

(56) **References Cited**

**U.S. PATENT DOCUMENTS**

1,654,592 A \* 1/1928 Lockwood ..... 84/411 R  
2,919,618 A \* 1/1960 Slingerland, Jr. .... 84/421  
3,264,926 A \* 8/1966 Belli ..... 84/411 R  
D242,873 S \* 12/1976 Clements et al. .... D17/22  
D266,525 S \* 10/1982 Kelly ..... D17/22

4,581,972 A \* 4/1986 Hoshino ..... 84/723  
4,947,725 A \* 8/1990 Nomura ..... 84/723  
5,763,798 A \* 6/1998 Chen ..... 84/422.1  
6,700,044 B1 \* 3/2004 Bencomo, Jr. .... 84/411 R

\* cited by examiner

*Primary Examiner*—Ian Simmons

*Assistant Examiner*—R. Johnson

(74) *Attorney, Agent, or Firm*—Sughrue Mion, PLLC

(57) **CLAIM**

The ornamental design for an electronic drum, as shown and described.

**DESCRIPTION**

FIG. 1 is a front perspective view of the electronic drum according to the present invention;

FIG. 2 is a front view thereof;

FIG. 3 is a rear view thereof;

FIG. 4 is a first side view thereof;

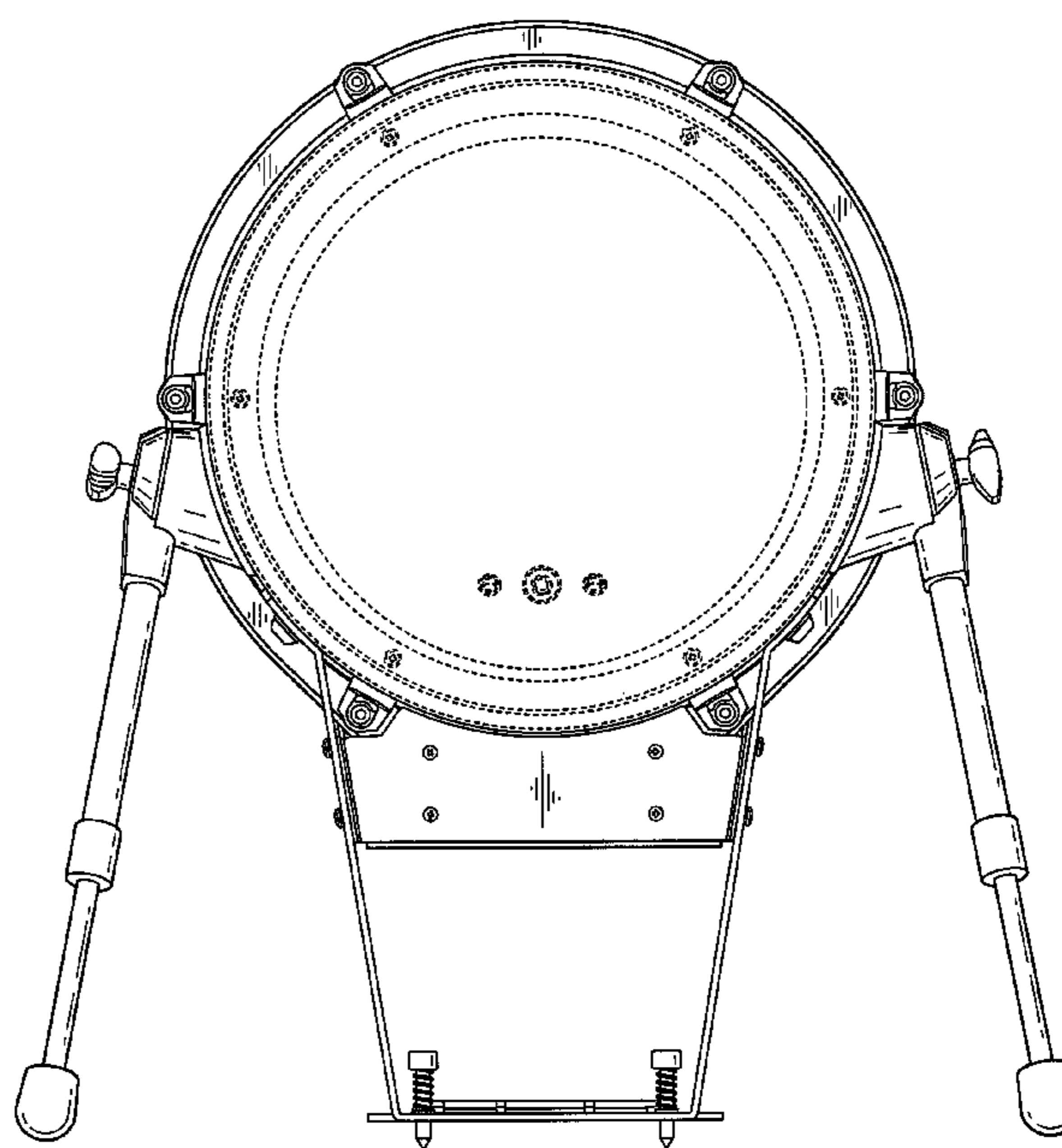
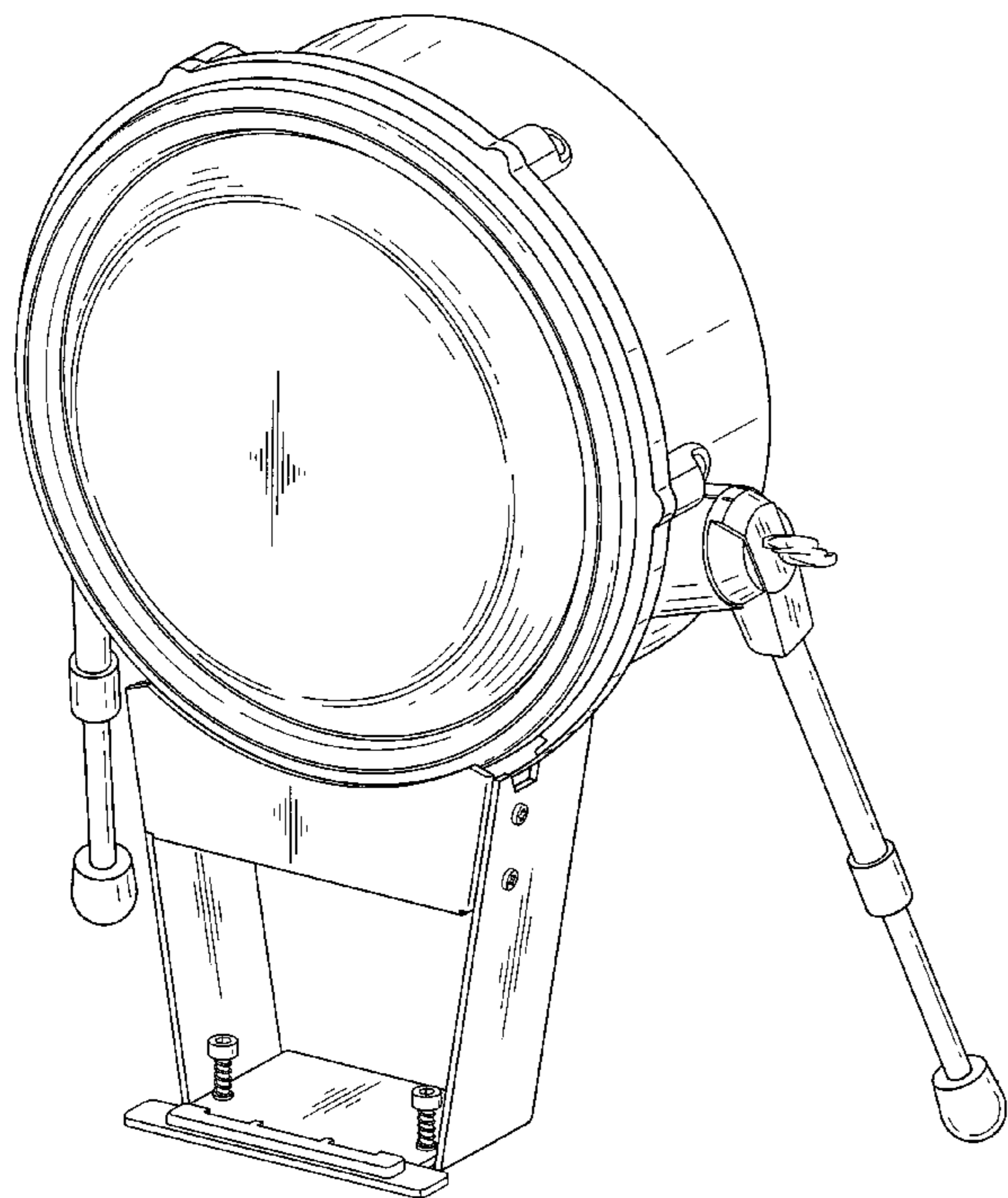
FIG. 5 is a second side view thereof;

FIG. 6 is a first end view thereof; and,

FIG. 7 is a second end view thereof.

Broken lines in the drawing figures show environmental structure only, and form no part of the claimed invention.

**1 Claim, 6 Drawing Sheets**



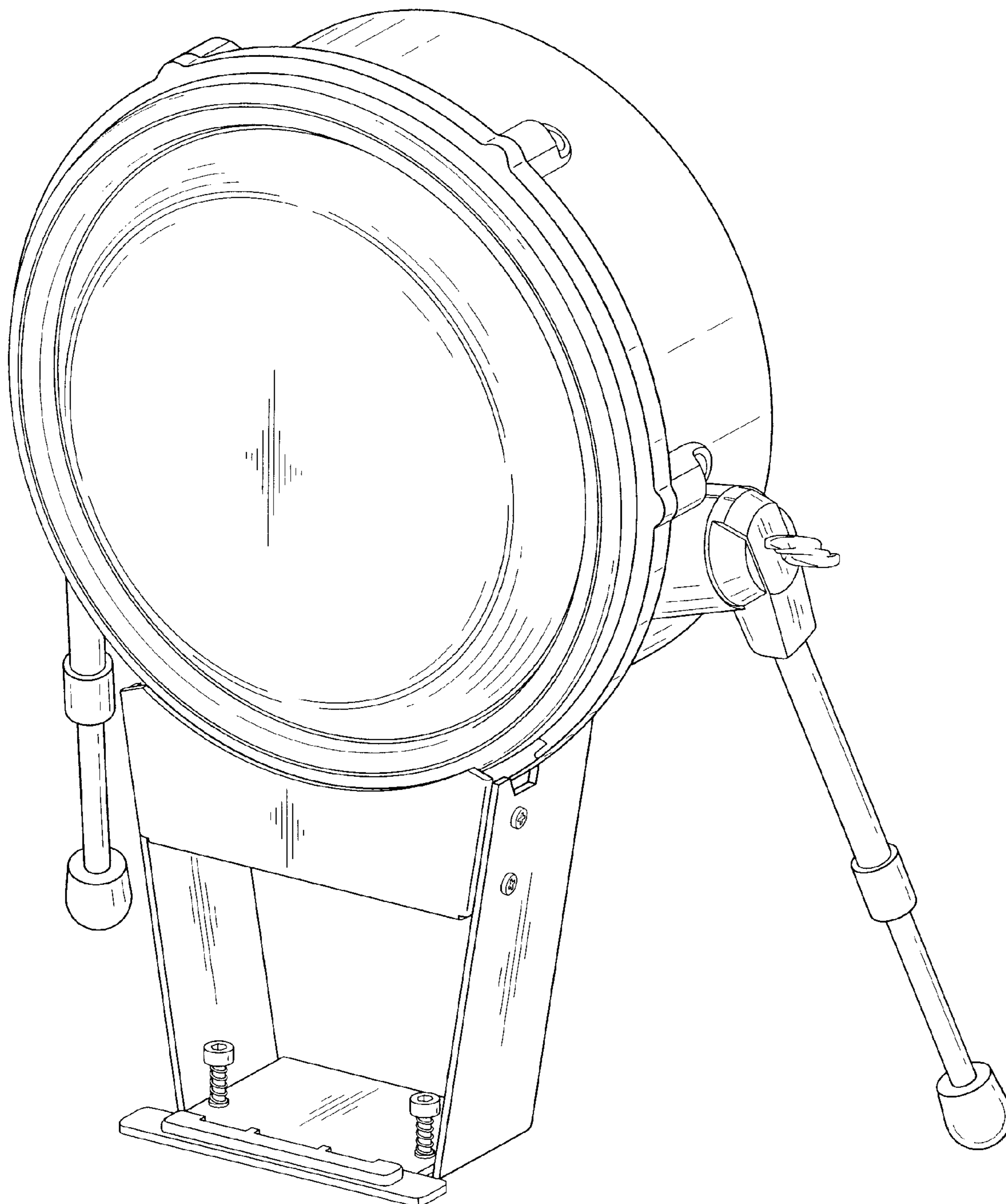


FIG. 1

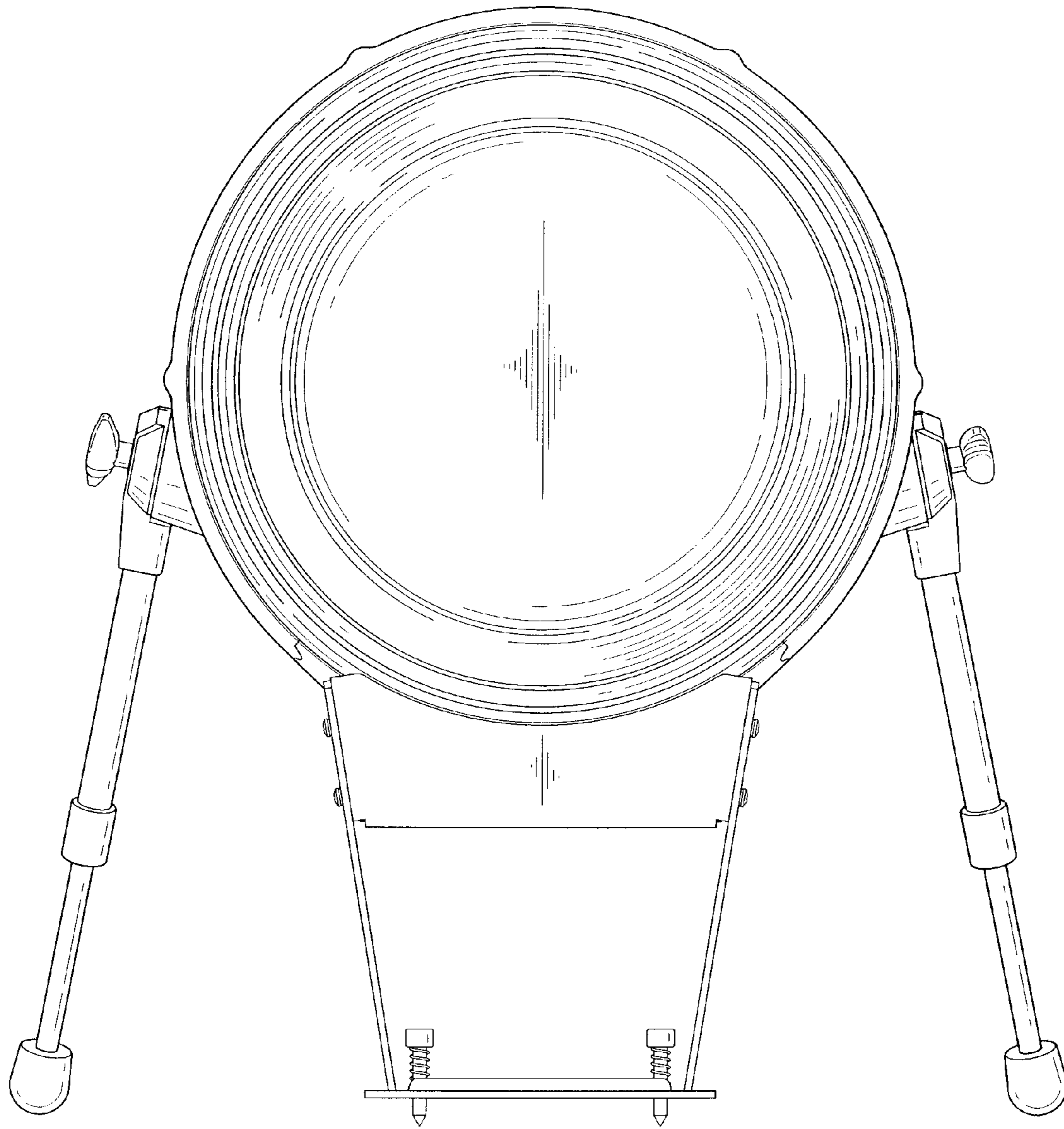
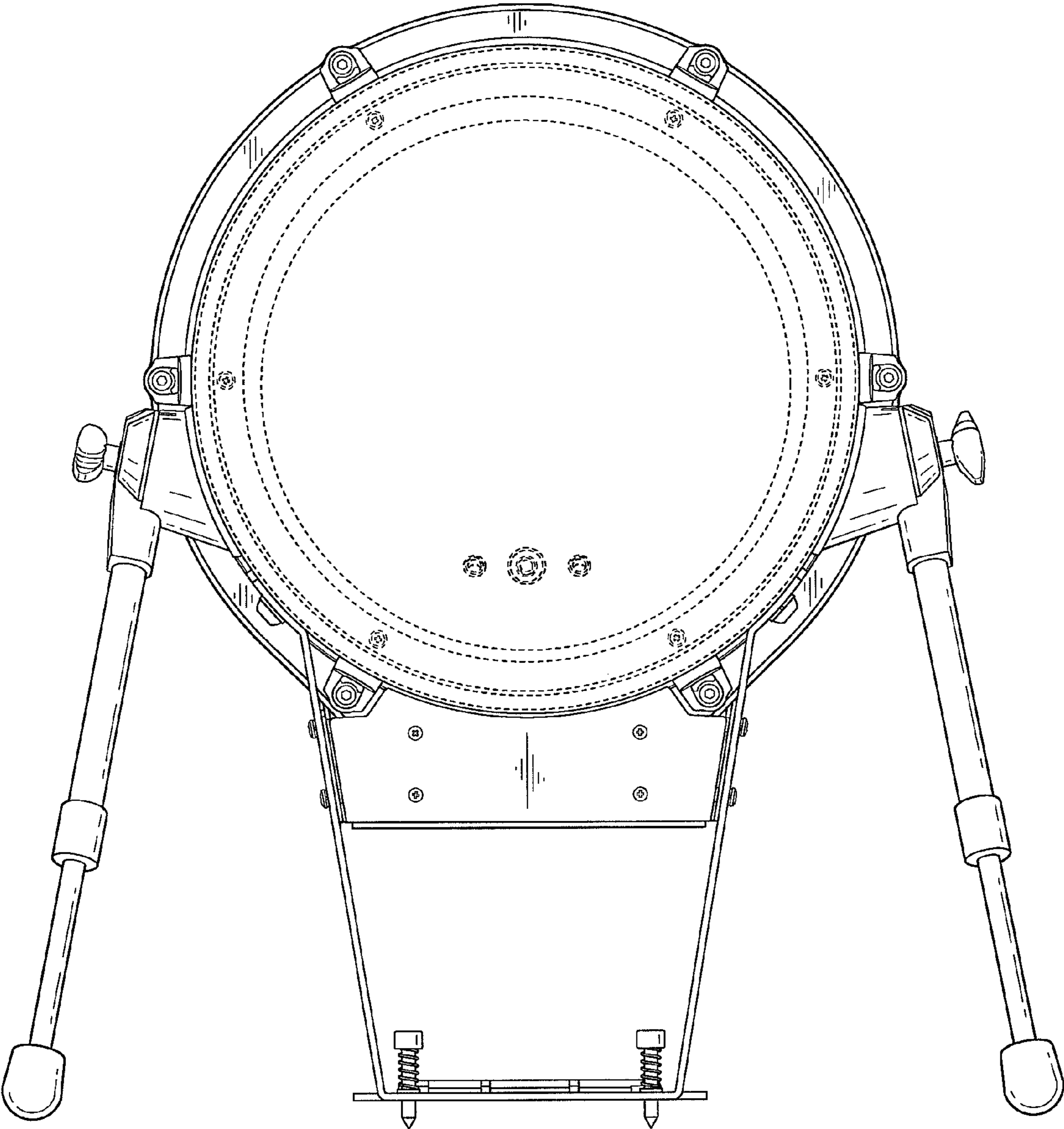


FIG. 2





**FIG. 3**

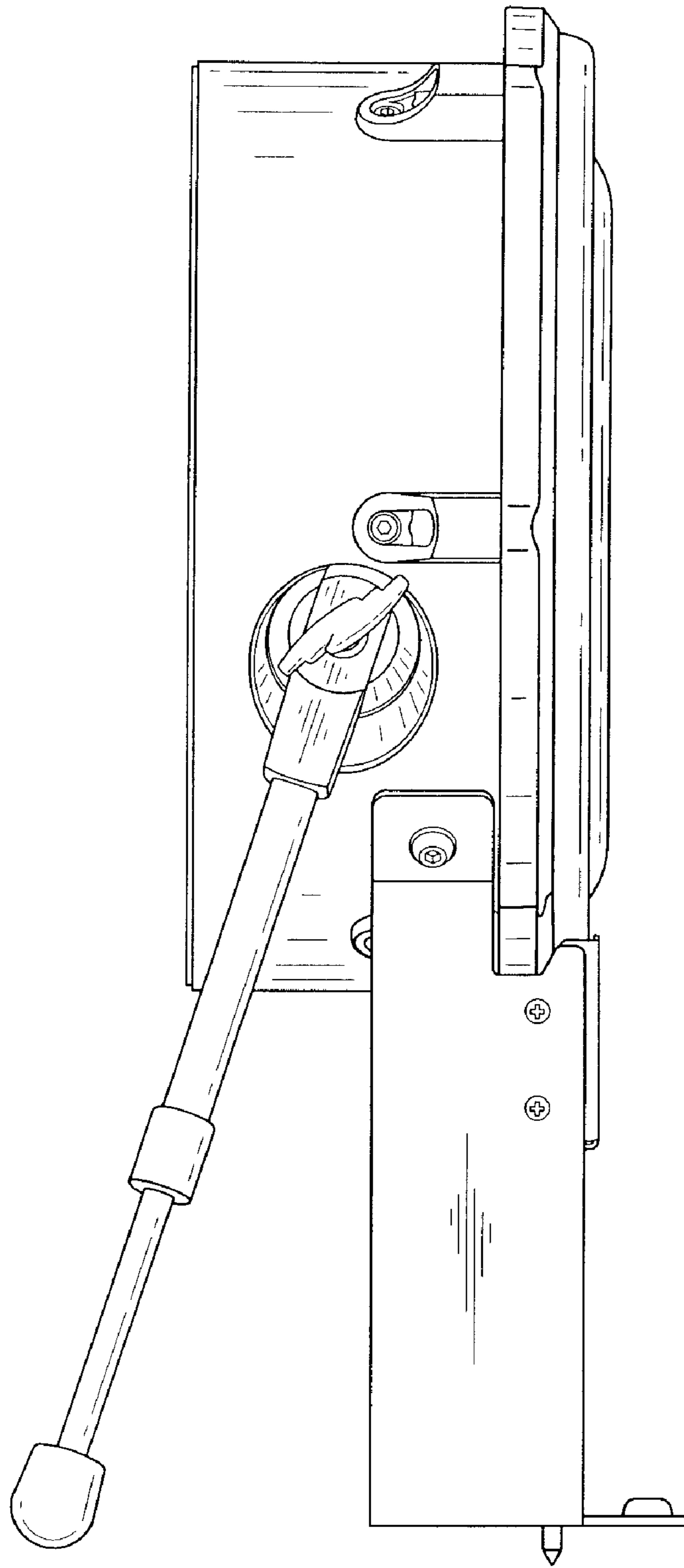
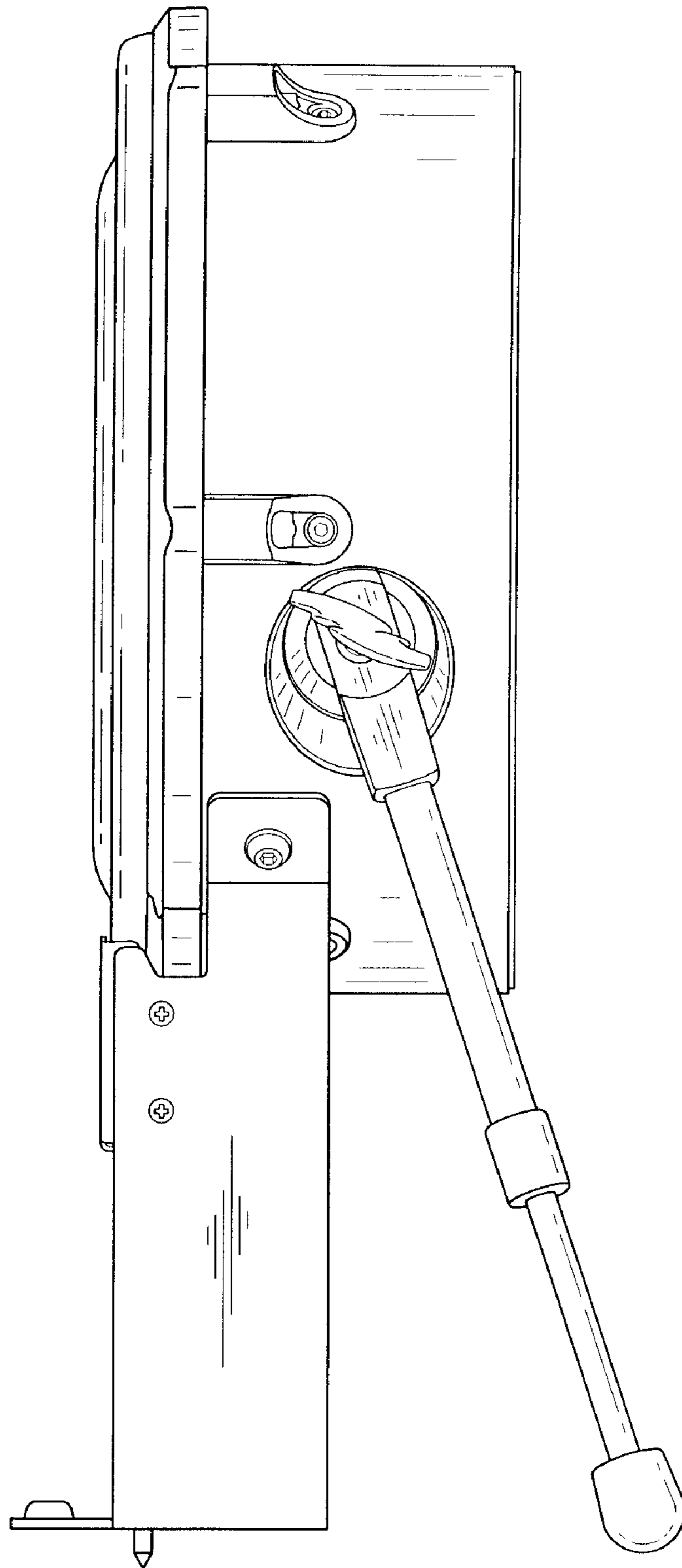


FIG. 4



*FIG. 5*

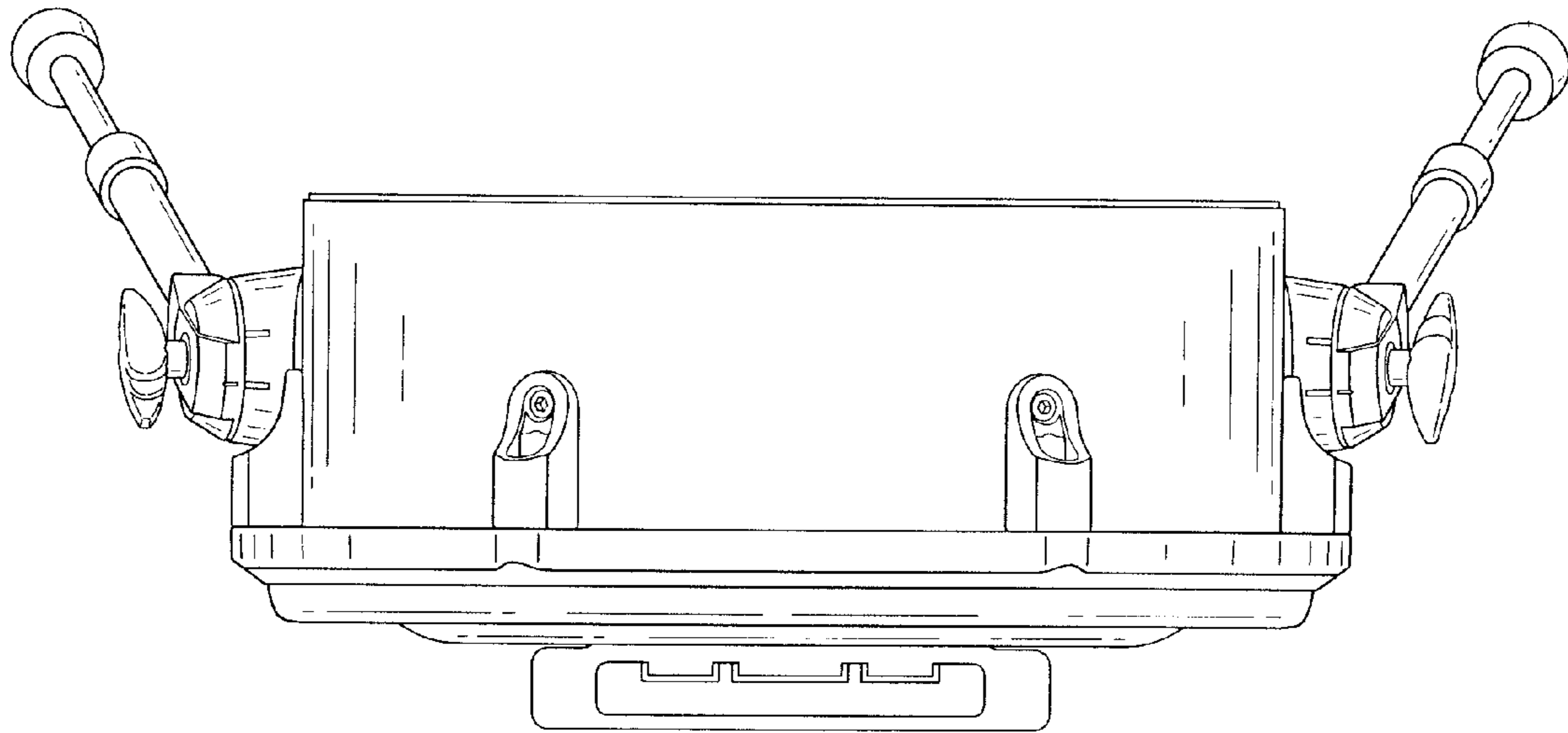


FIG. 6

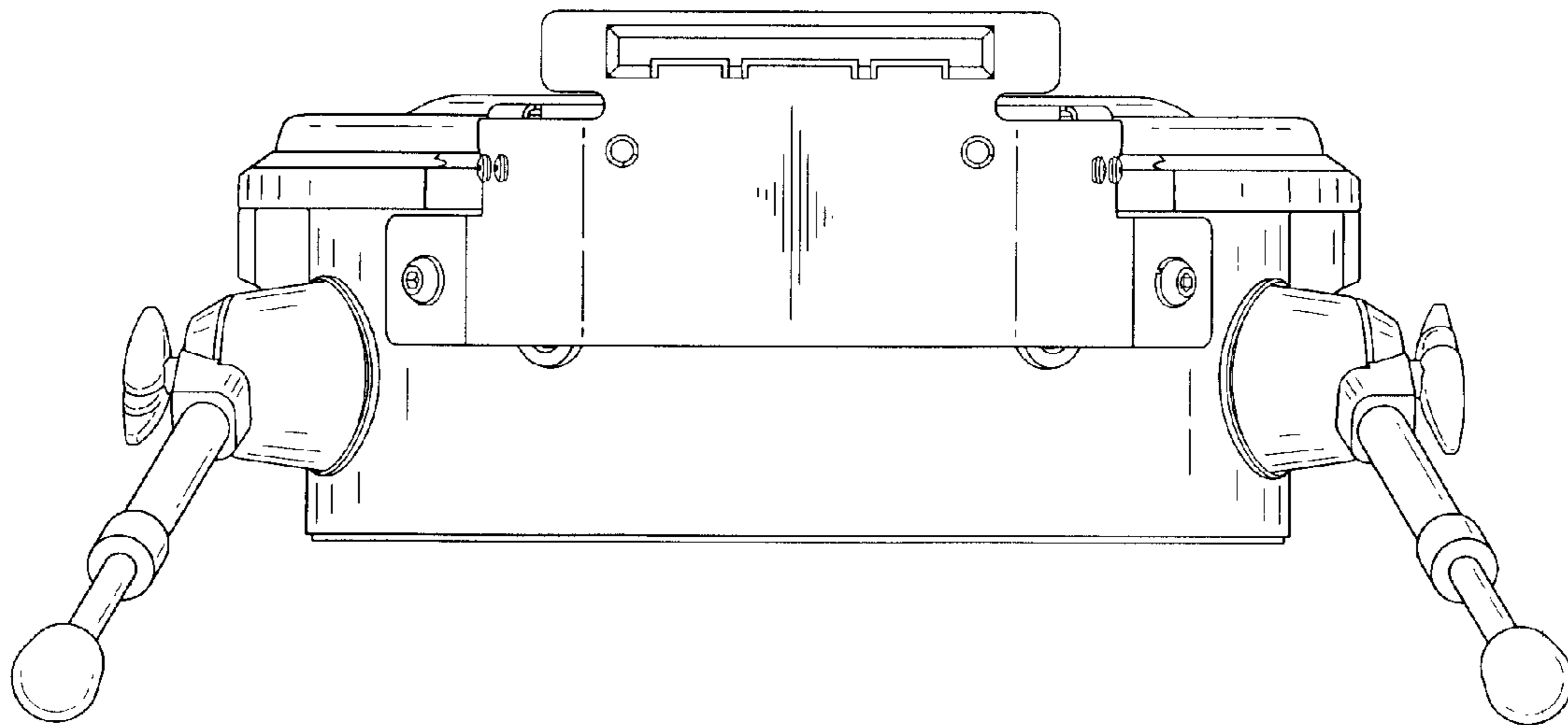


FIG. 7