

US00D596216S

(12) **United States Design Patent**
Tainaka

(10) **Patent No.:** **US D596,216 S**
(45) **Date of Patent:** **** Jul. 14, 2009**

(54) **DIGITAL CAMERA**

D583,848 S * 12/2008 Hayashi D16/219
D584,326 S * 1/2009 Hayashi D16/219

(75) Inventor: **Daisuke Tainaka**, Hachioji (JP)

* cited by examiner

(73) Assignee: **Olympus Imaging Corp.**, Tokyo (JP)

Primary Examiner—Adir Aronovich
(74) *Attorney, Agent, or Firm*—Frishauf, Holtz, Goodman & Chick, P.C.

(**) Term: **14 Years**

(21) Appl. No.: **29/301,083**

(57) **CLAIM**

(22) Filed: **Feb. 8, 2008**

The ornamental design for a digital camera, as shown and described.

(30) **Foreign Application Priority Data**

Jan. 17, 2008 (FR) 2008-000786

DESCRIPTION

(51) **LOC (9) Cl.** **16-05**

FIG. 1 is a front, top and right side perspective view of a digital camera showing my new design;

(52) **U.S. Cl.** **D16/219**

FIG. 2 is a front elevational view thereof;

(58) **Field of Classification Search** D16/200–204,
D16/218, 219; 348/373–376; 358/909.1;
396/535–541

FIG. 3 is a rear elevational view thereof;

See application file for complete search history.

FIG. 4 is a top plan view thereof;

FIG. 5 is a bottom plan view thereof;

(56) **References Cited**

FIG. 6 is a right side elevational view thereof; and,

U.S. PATENT DOCUMENTS

FIG. 7 is a left side elevational view thereof.

D557,305 S * 12/2007 Onuma et al. D16/202
D557,307 S * 12/2007 Nakamura D16/202
D559,296 S * 1/2008 Nakamura D16/219
D572,286 S * 7/2008 Kuroda D16/202
D572,742 S * 7/2008 Onuma D16/202

The portions of the camera in broken lines are shown for illustrative purposes only and form no part of the claimed design.

1 Claim, 4 Drawing Sheets

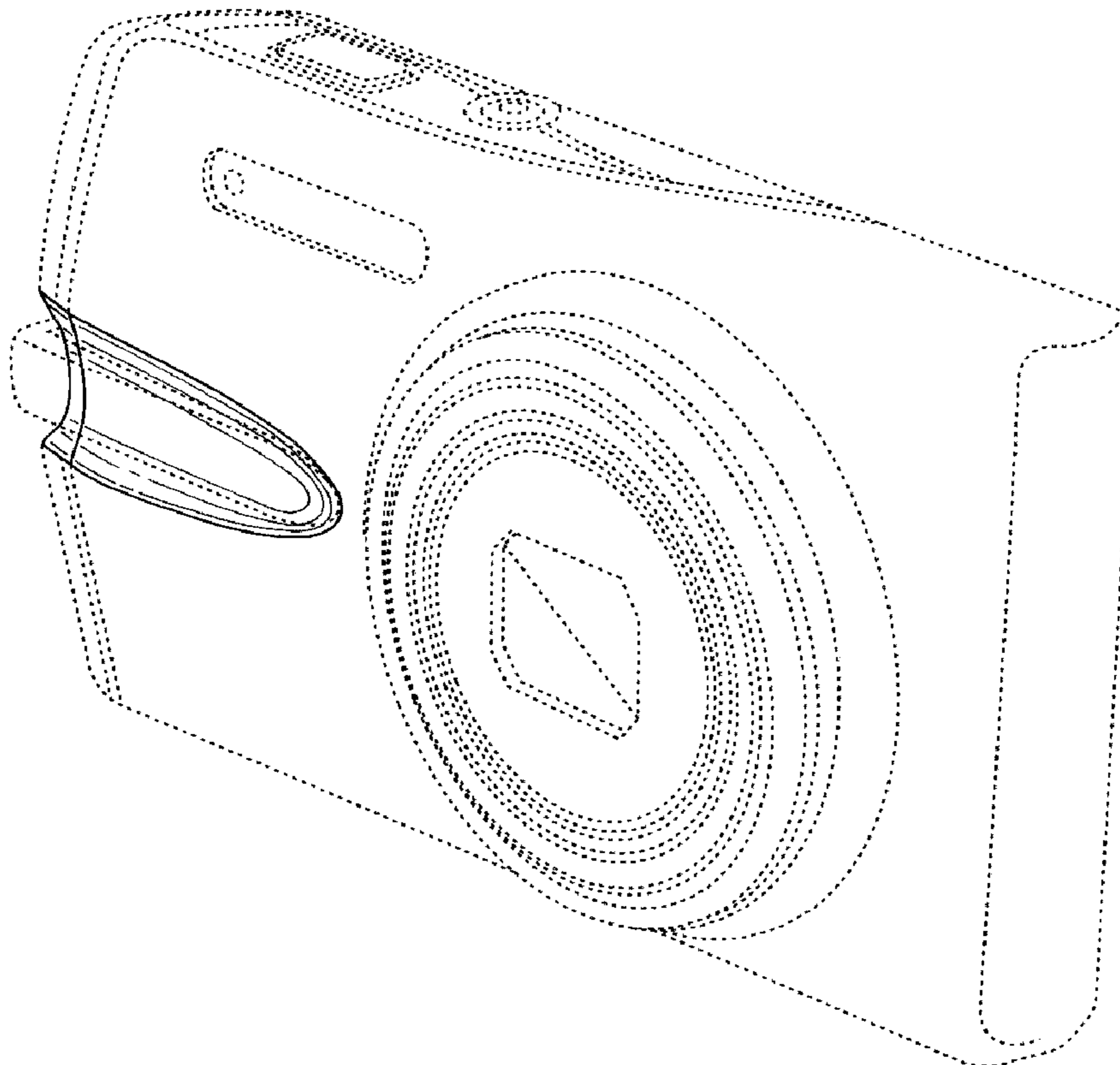


FIG. 1

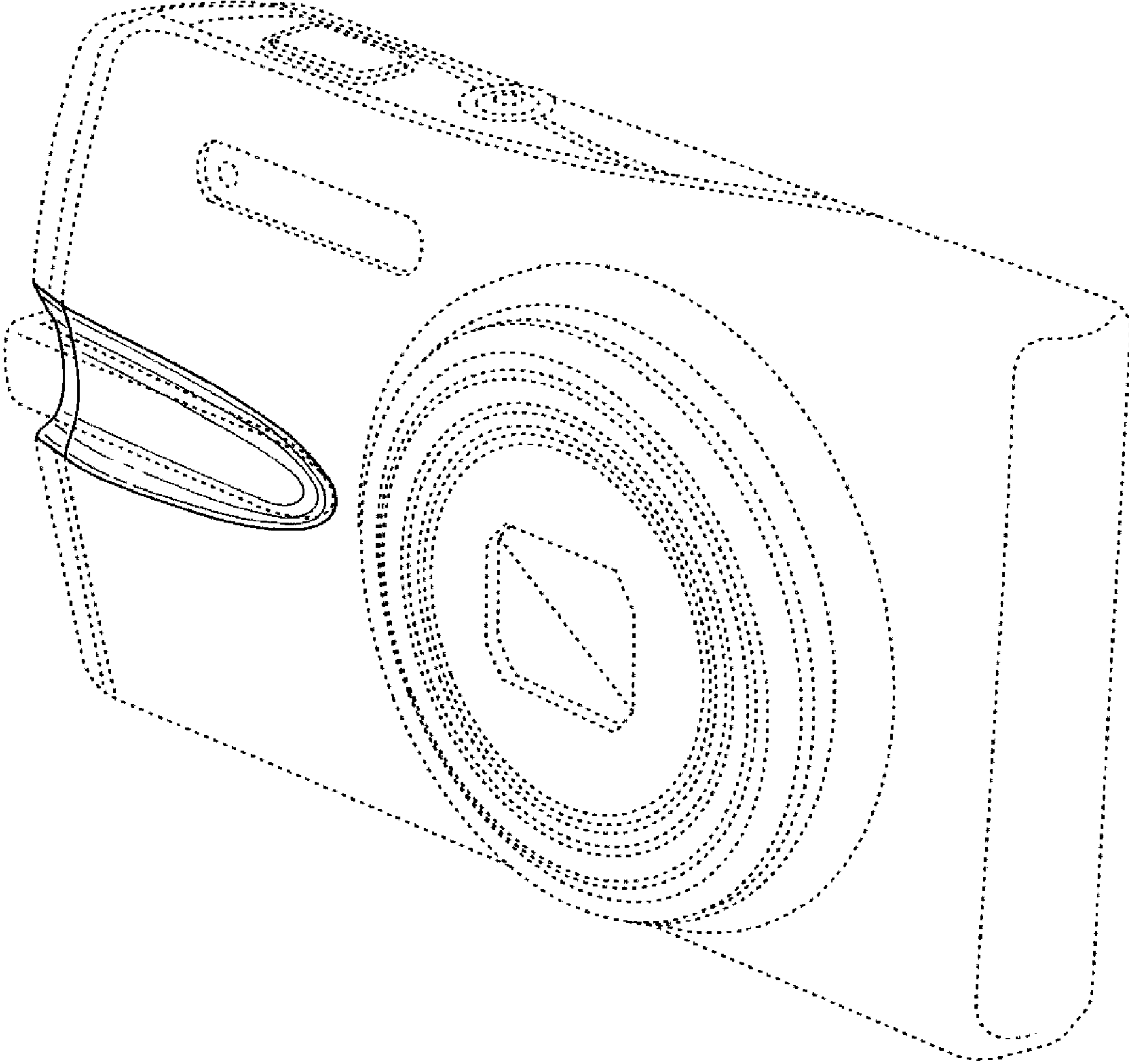


FIG.2

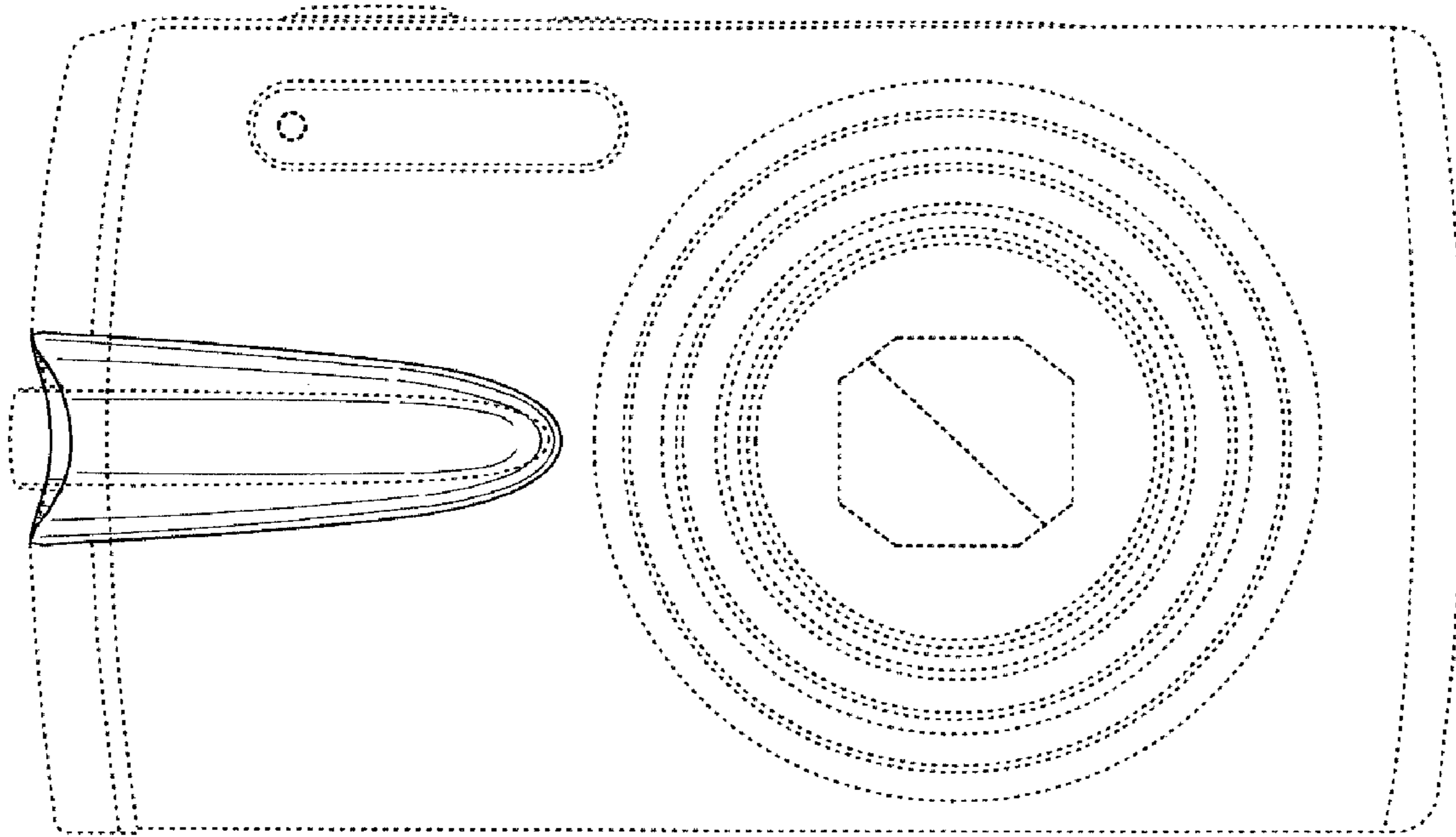


FIG.3

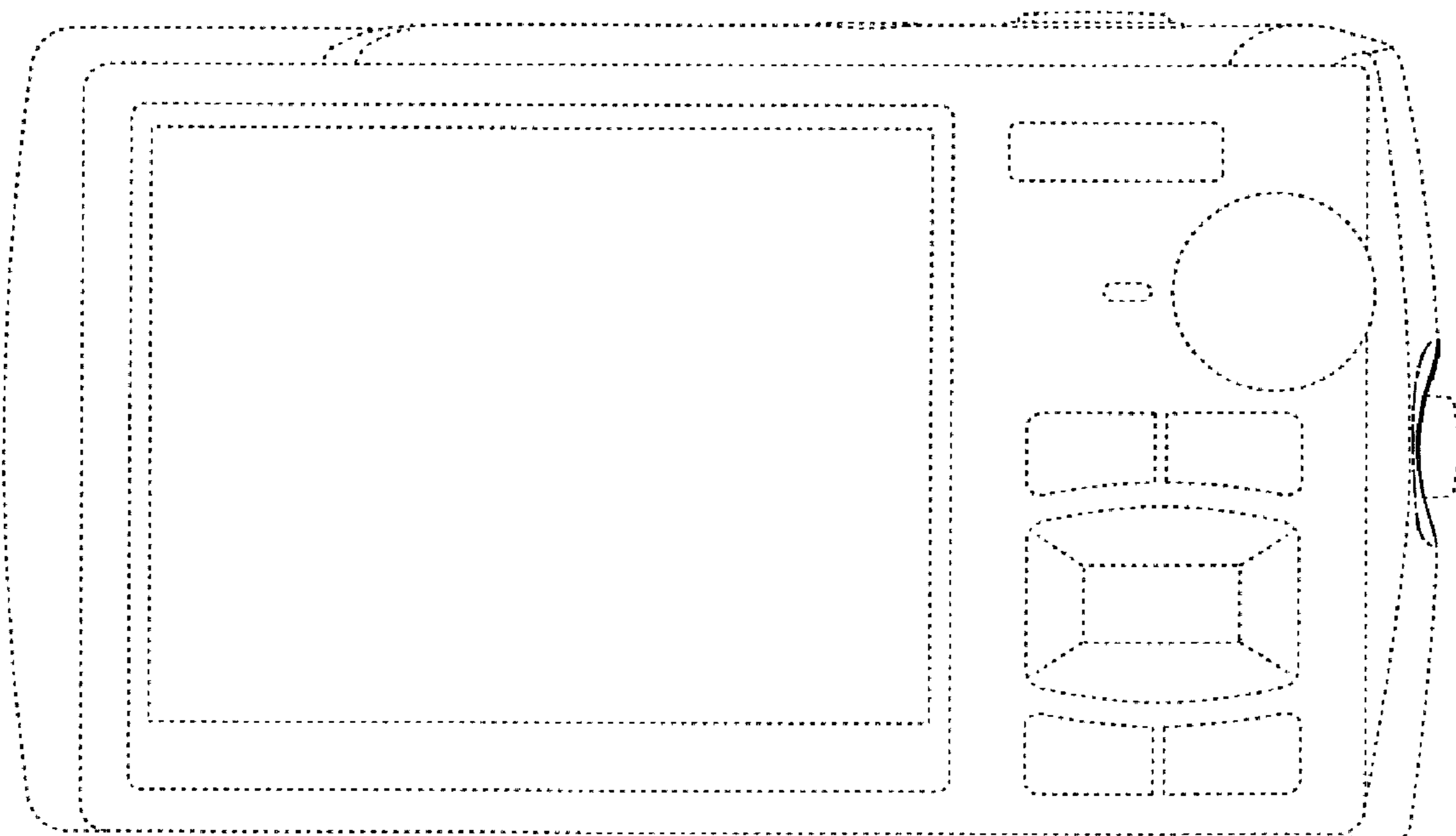


FIG.4

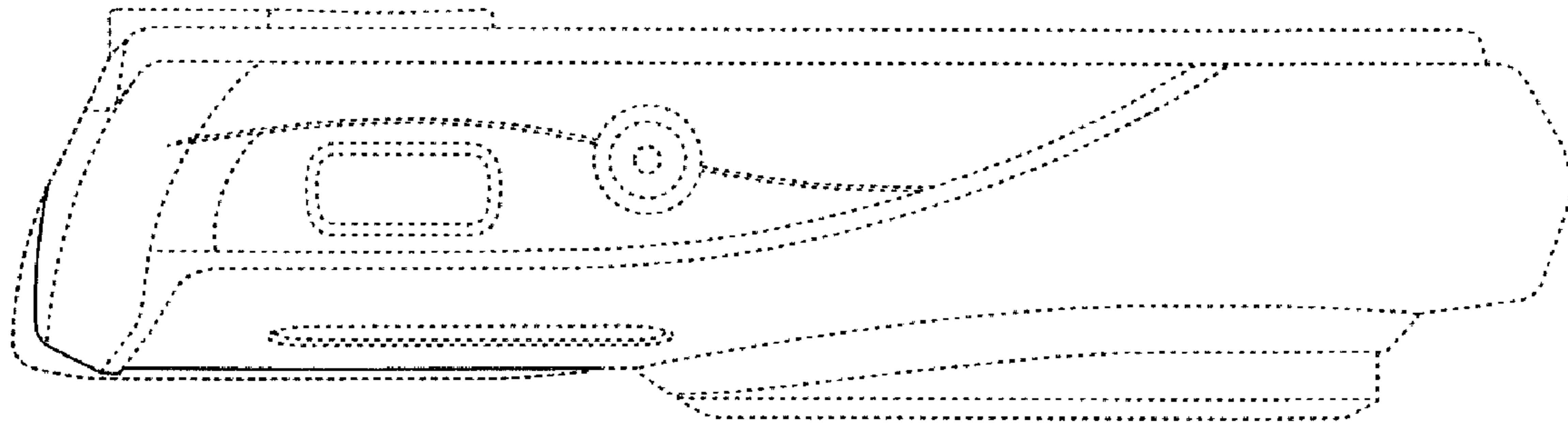


FIG.5

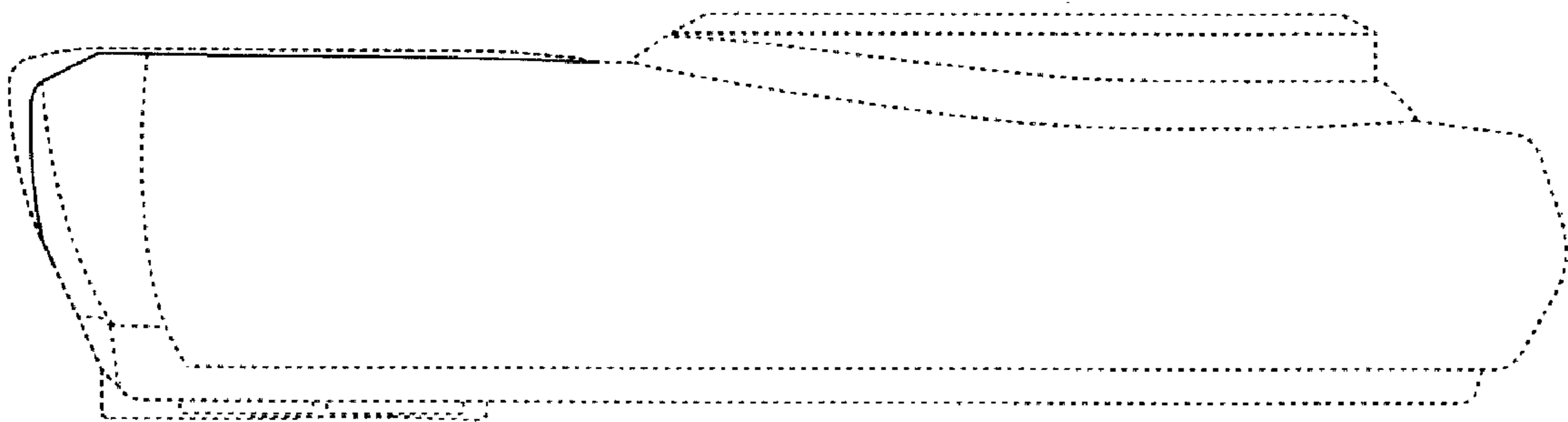


FIG.6

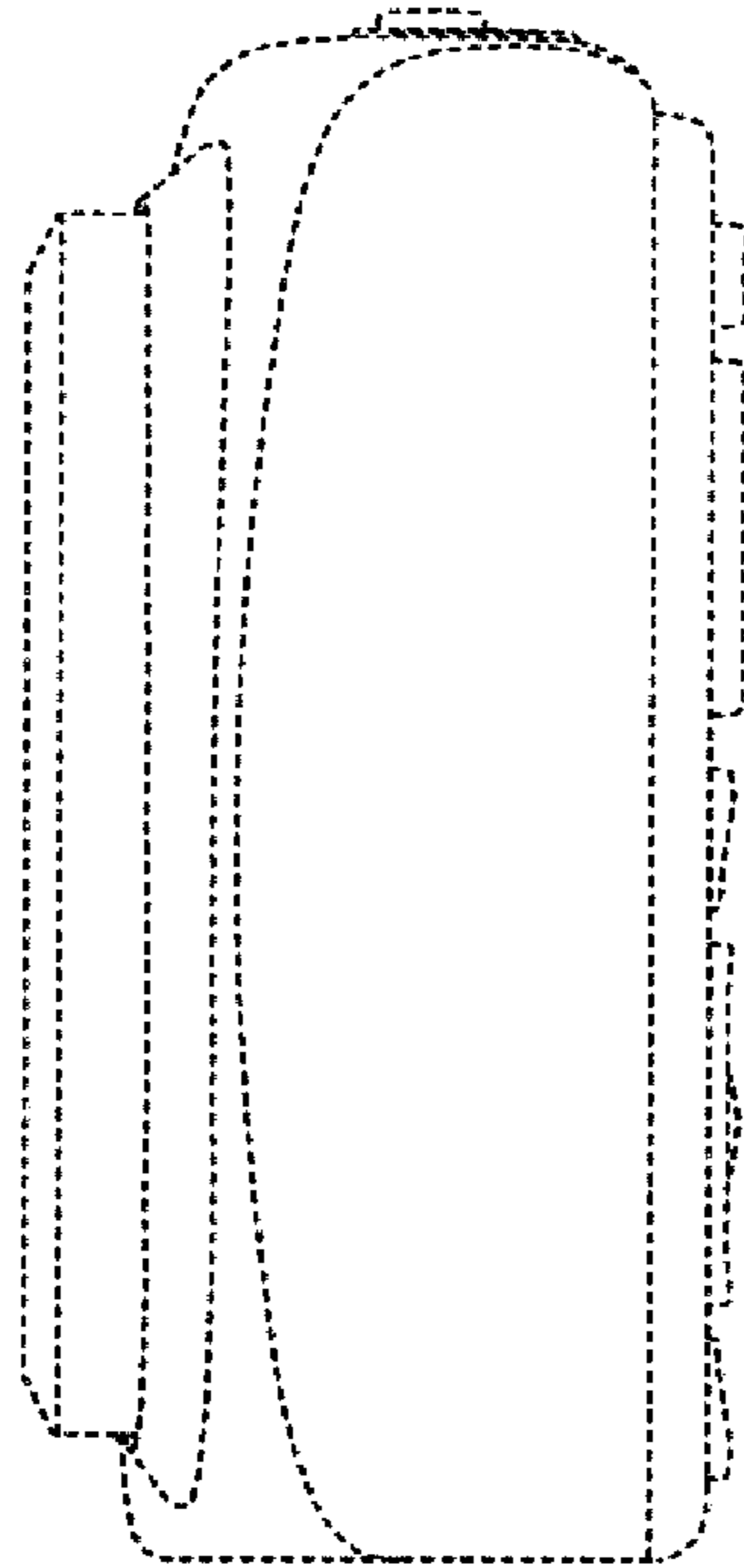


FIG.7

