



US00D596210S

(12) **United States Design Patent**
Yang et al.

(10) **Patent No.:** **US D596,210 S**
(45) **Date of Patent:** **** Jul. 14, 2009**

(54) **CLUTCHING JIG**

(75) Inventors: **Yi Chang Yang**, Tu-Cheng (TW); **Kuo Chuan Chiu**, Tu-Cheng (TW); **Feng Chi Lee**, Tu-Cheng (TW); **Chin Chou Wang**, Tu-Cheng (TW)

(73) Assignee: **Cheng Uei Precision Industry Co., Ltd.**, Taipei Hsien (TW)

(**) Term: **14 Years**

(21) Appl. No.: **29/309,590**

(22) Filed: **Sep. 9, 2008**

(51) **LOC (9) Cl.** **15-09**

(52) **U.S. Cl.** **D15/140**

(58) **Field of Classification Search** D8/70,
D8/71-74; D15/140, 199; 81/487; 83/762;
49/404, 413, 425; 144/144.52, 306, 307;
269/2, 4, 37, 43, 45, 148, 156
See application file for complete search history.

(56) **References Cited**

U.S. PATENT DOCUMENTS

2,311,433	A *	2/1943	Dershem	269/3
3,880,370	A *	4/1975	Keister et al.	242/597.5
3,880,543	A *	4/1975	Gillett	408/109
D245,668	S *	9/1977	Bretthauer	D8/71
D248,144	S *	6/1978	Kreitz	D8/14
D282,237	S *	1/1986	Warburg	D8/71
D291,529	S *	8/1987	Degen	D8/72

D308,064	S *	5/1990	Hiseh	D15/138
D397,013	S *	8/1998	Horne	D8/71
6,401,396	B1 *	6/2002	Koban et al.	49/404
D481,402	S *	10/2003	Jenkins et al.	D15/140
D533,571	S *	12/2006	Degen	D15/140
7,272,994	B1 *	9/2007	Johnson	81/13
D554,163	S *	10/2007	Krohmer et al.	D15/140
D568,706	S *	5/2008	Weiby	D8/72

* cited by examiner

Primary Examiner—Sandra Snapp

Assistant Examiner—Patricia Palasik

(74) *Attorney, Agent, or Firm*—Rosenberg, Klein & Lee

(57) **CLAIM**

The ornamental design for a clutching jig, as shown and described.

DESCRIPTION

FIG. 1 is a perspective view of a clutching jig showing our new design;

FIG. 2 is a front elevational view thereof;

FIG. 3 is a rear elevational view thereof;

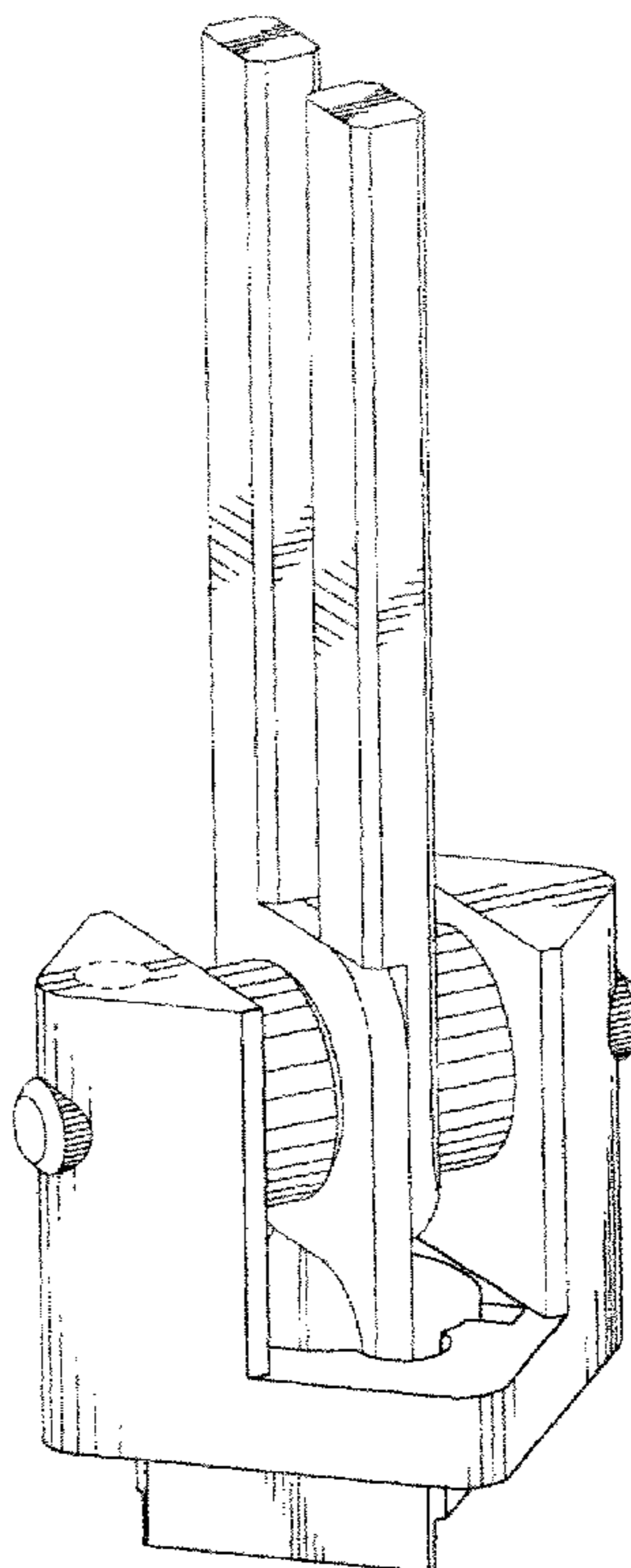
FIG. 4 is a left side elevational view thereof;

FIG. 5 is a right side elevational view thereof; and,

FIG. 6 is a top plan view thereof.

The broken line showing of the clutching jig is included for the purpose of illustrating portions of the clutching jig and forms no part of the claimed design.

1 Claim, 6 Drawing Sheets



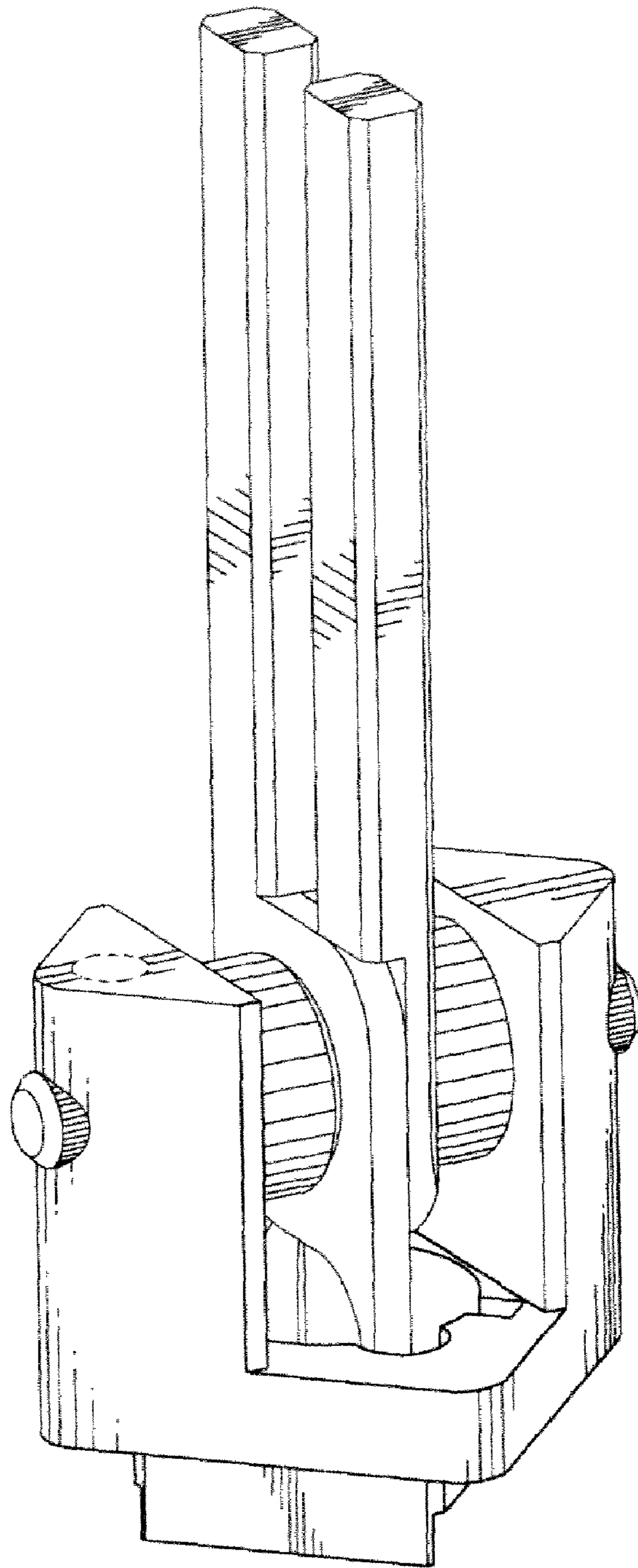


FIG. 1

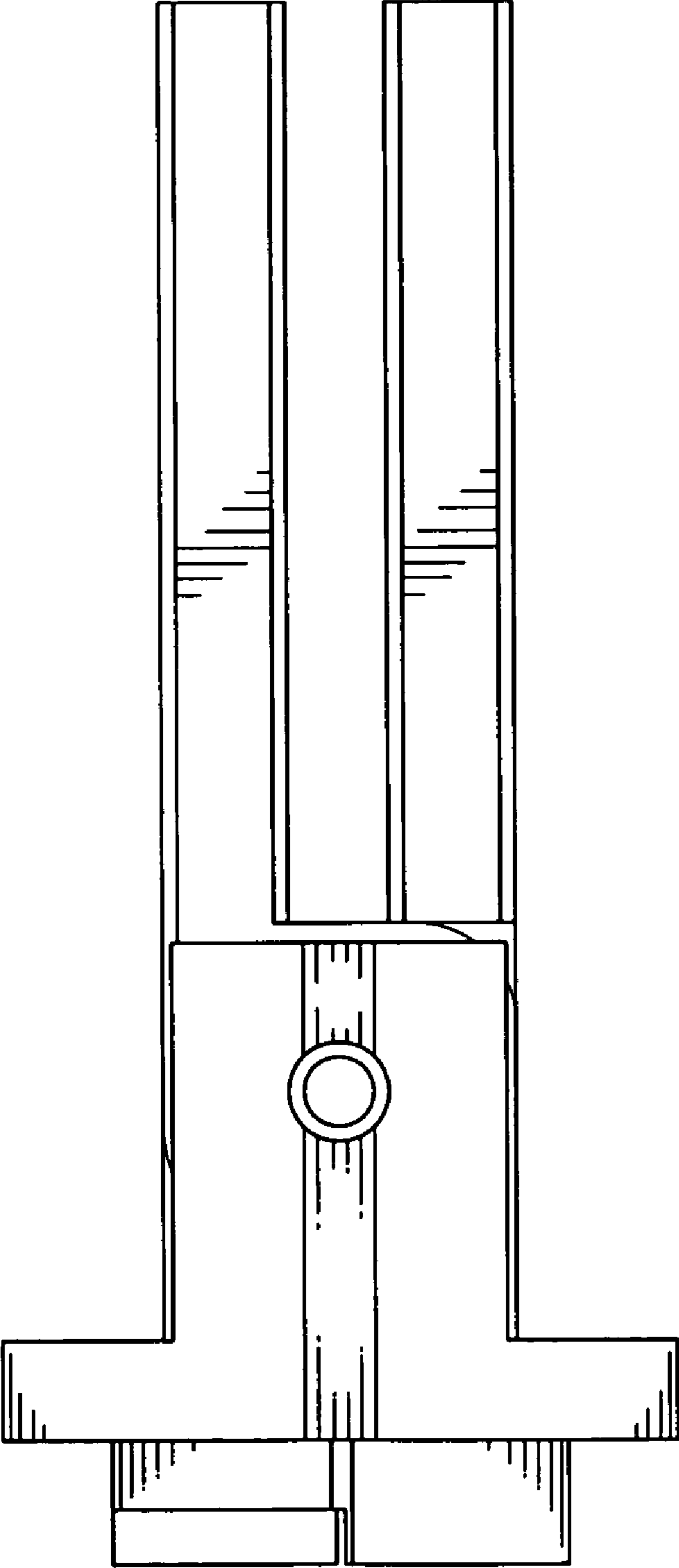


FIG. 2

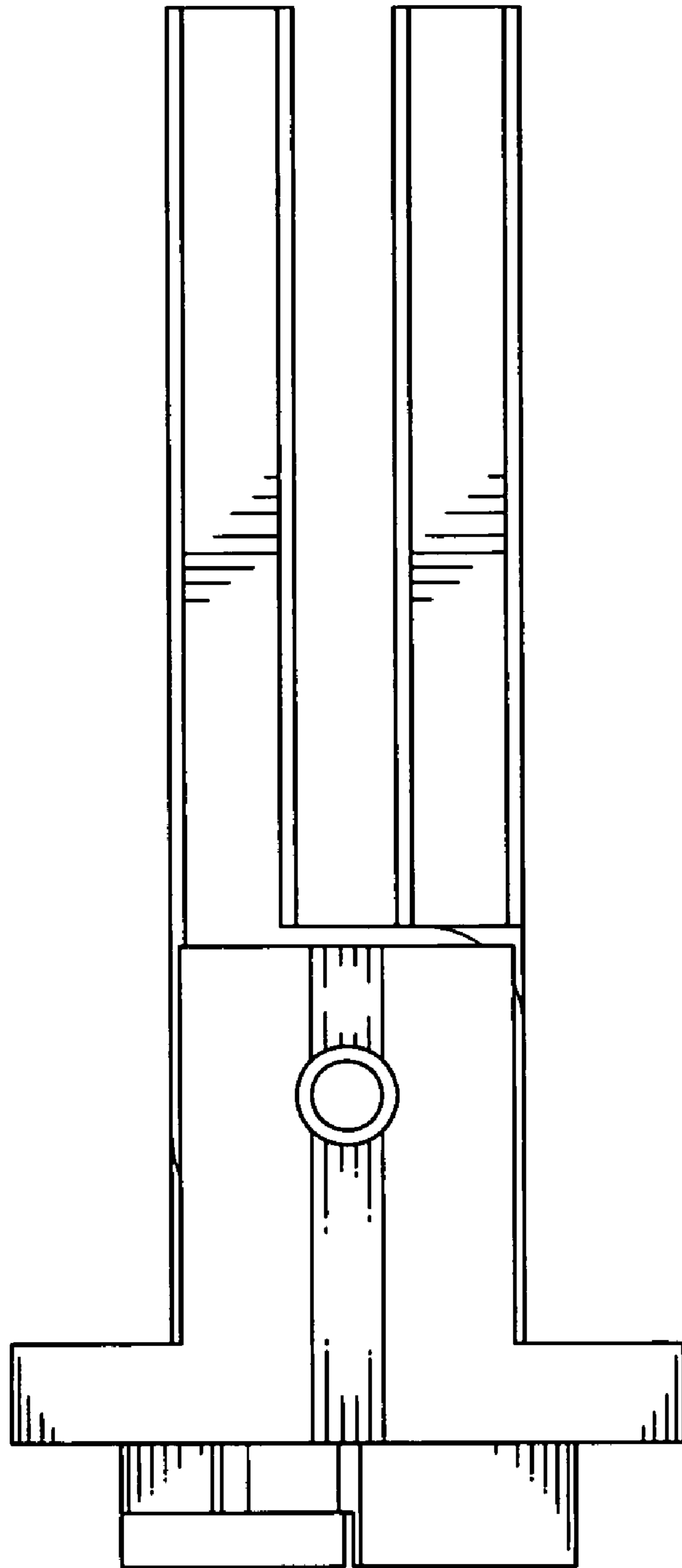


FIG. 3

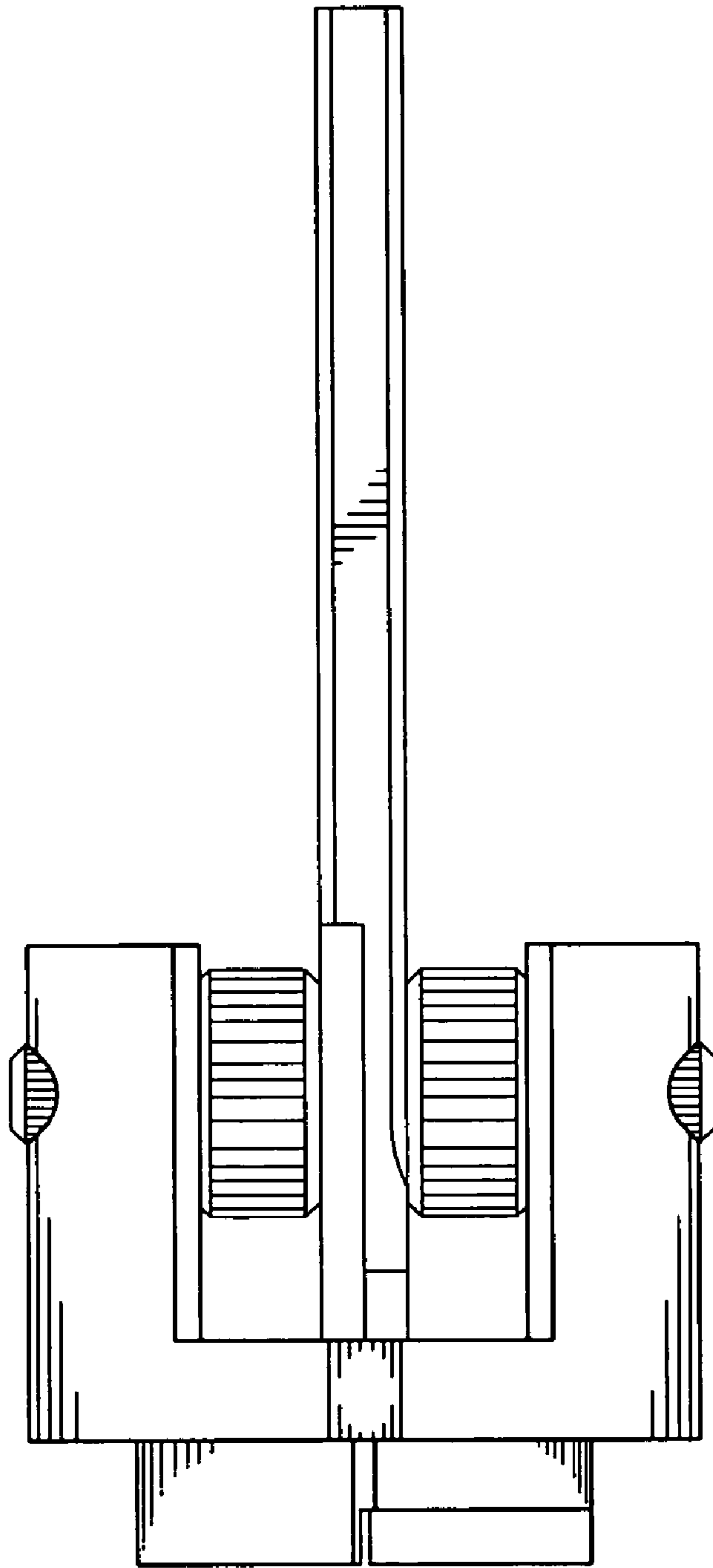


FIG. 4

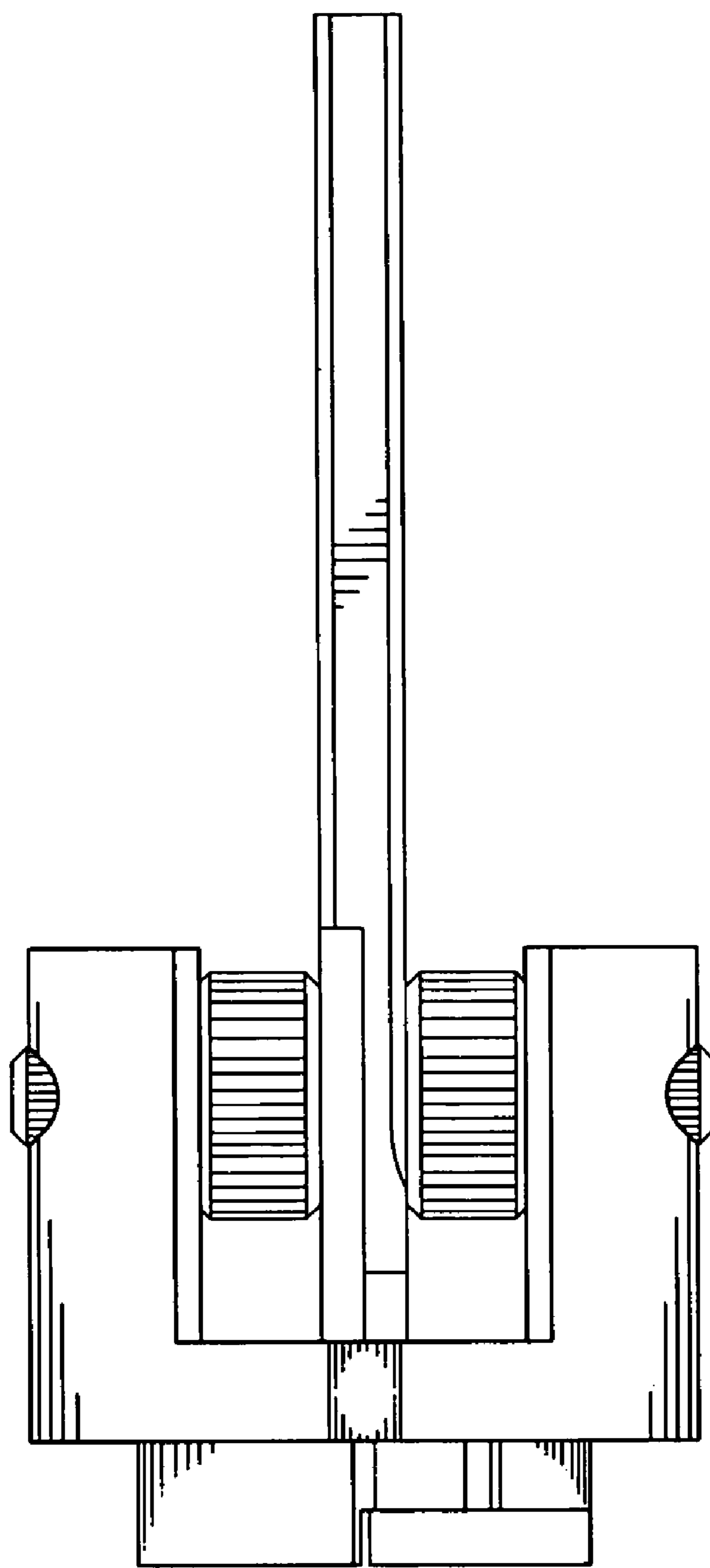


FIG. 5

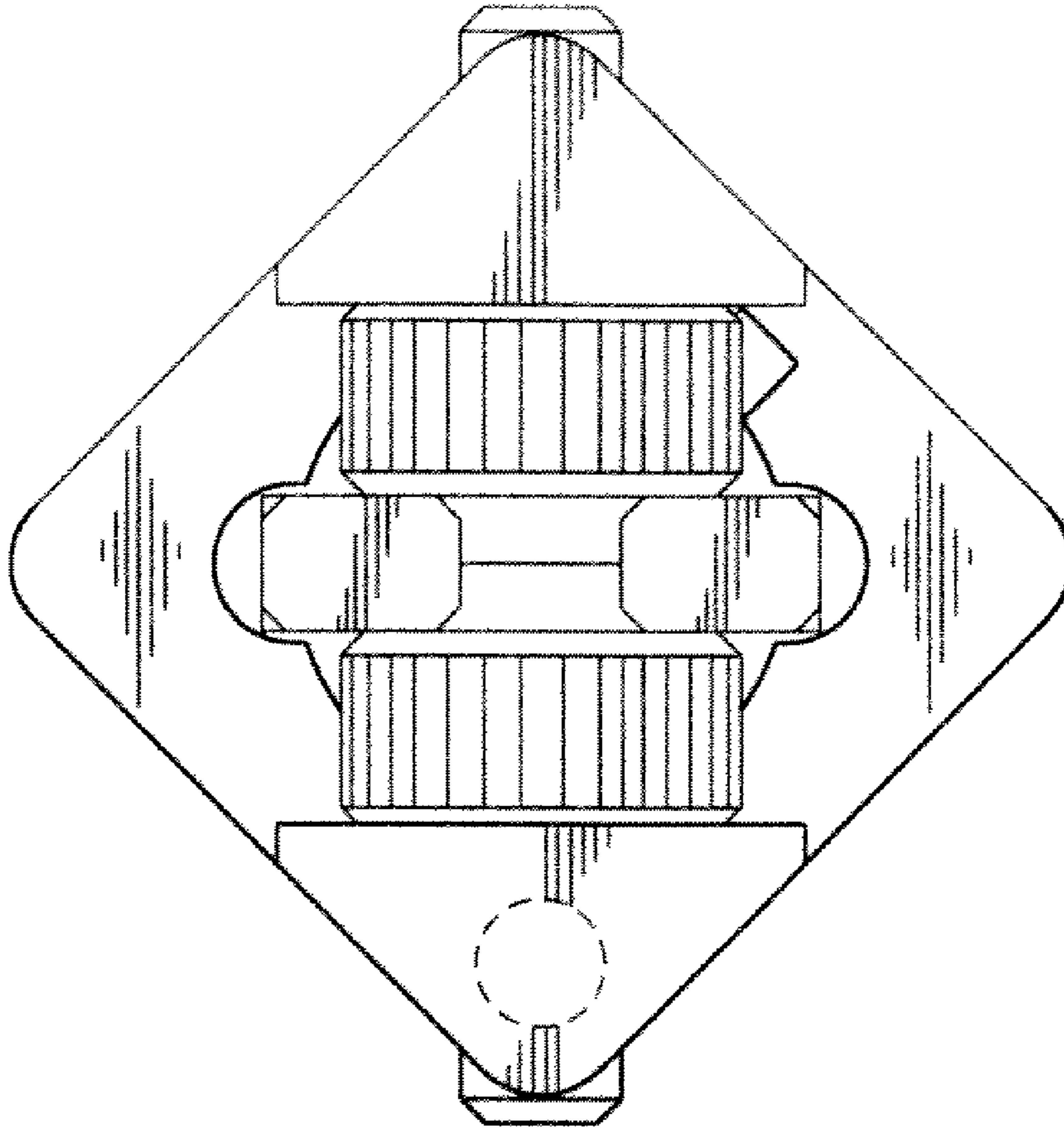


FIG. 6