



US00D596206S

(12) **United States Design Patent**
Yamamoto et al.

(10) **Patent No.:** **US D596,206 S**
(45) **Date of Patent:** **** Jul. 14, 2009**

(54) **SEWING MACHINE**

(75) Inventors: **Shigemi Yamamoto**, Tokyo (JP); **Sanae Mori**, Tokyo (JP)

(73) Assignee: **JUKI Corporation**, Tokyo (JP)

(**) Term: **14 Years**

(21) Appl. No.: **29/296,308**

(22) Filed: **Oct. 17, 2007**

(30) **Foreign Application Priority Data**

Apr. 18, 2007 (JP) 2007-010402

(51) **LOC (9) Cl.** **15-06**

(52) **U.S. Cl.** **D15/72; D15/78**

(58) **Field of Classification Search** D15/66-73,
D15/77, 78; 112/2, 63, 78, 154, 217.1-217.4,
112/258-261, 475.01; D10/104, 106; D14/159,
D14/247, 345, 387, 399, 455; 341/22, 23;
345/169, 173; 382/124, 187; 400/472, 484-489,
400/492

See application file for complete search history.

(56) **References Cited**

U.S. PATENT DOCUMENTS

- D286,047 S * 10/1986 Roots et al. D14/399
- D308,855 S * 6/1990 Schaum D14/399
- D327,881 S * 7/1992 McFarlane D14/399
- D347,835 S * 6/1994 Zarnowitz D14/399
- D347,847 S 6/1994 Eguchi
- D359,964 S 7/1995 Nakajima et al.
- D359,965 S 7/1995 Nakajima et al.
- D389,762 S * 1/1998 Yorkey D10/104
- D403,333 S 12/1998 Takada et al.
- D430,886 S 9/2000 Yamamoto
- D440,566 S * 4/2001 Chou D14/399
- D450,720 S 11/2001 Kuroki
- D459,369 S 6/2002 Yamamoto et al.
- D464,979 S 10/2002 Yamamoto
- D466,137 S * 11/2002 Yamamoto et al. D15/72
- D472,562 S 4/2003 Yamamoto et al.
- D485,851 S 1/2004 Takayasu et al.

- D491,945 S * 6/2004 Sheehan et al. D14/399
- D492,703 S 7/2004 Kuroki
- D492,704 S * 7/2004 Kuroki
- D504,692 S 5/2005 Kuroki
- D506,212 S 6/2005 Kuroki
- D515,109 S 2/2006 Iwai
- D515,110 S 2/2006 Kuroki
- D529,520 S 10/2006 Kuroki
- D532,415 S * 11/2006 Chen et al. D14/247
- D546,333 S * 7/2007 Emmerich et al. D14/455
- D557,291 S 12/2007 Gustafsson
- D572,263 S * 7/2008 Massaro et al. D14/455
- D574,816 S * 8/2008 Tang D14/247

* cited by examiner

Primary Examiner—Stella M Reid

Assistant Examiner—Shanda C Hill

(74) *Attorney, Agent, or Firm*—Locke Lord Bissell & Liddell

(57) **CLAIM**

The ornamental design for a sewing machine, as shown and described.

DESCRIPTION

The following co-pending applications, also entitled “sewing machine”, are related:

1. U.S. Design application Ser. No. 29/296,306;
2. U.S. Design application Ser. No. 29/296,307;
3. U.S. Design application Ser. No. 29/296,309.

FIG. 1 is front elevational view of a sewing machine showing our new design;

FIG. 2 is a rear elevational view thereof;

FIG. 3 is a left end view thereof;

FIG. 4 is a right end view thereof;

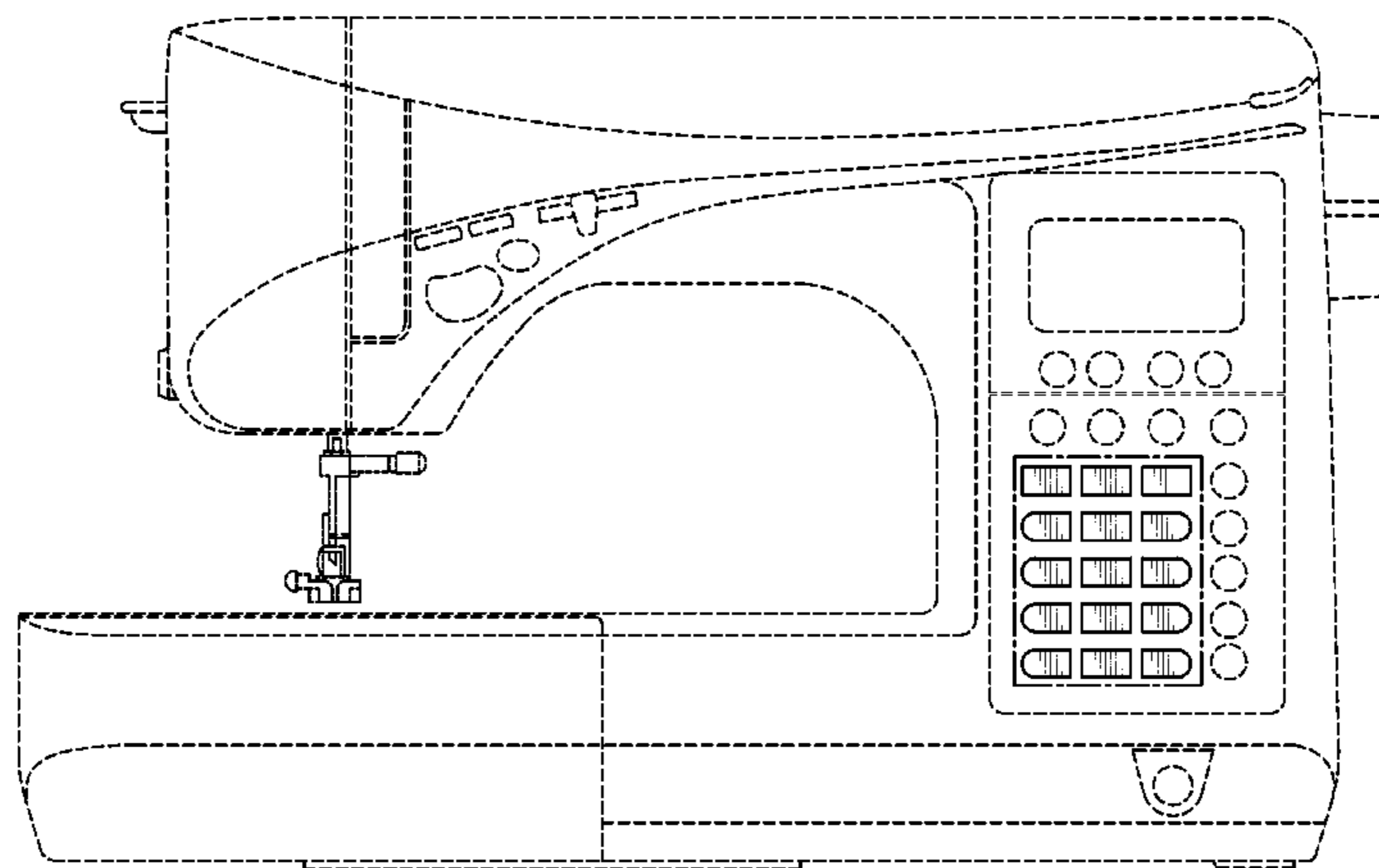
FIG. 5 is a top plan view thereof;

FIG. 6 is a bottom plan view thereof; and,

FIG. 7 is a perspective view of the front, top and left side thereof.

The elements shown in broken lines are for illustrative purposes only and form no part of the claimed design.

1 Claim, 6 Drawing Sheets



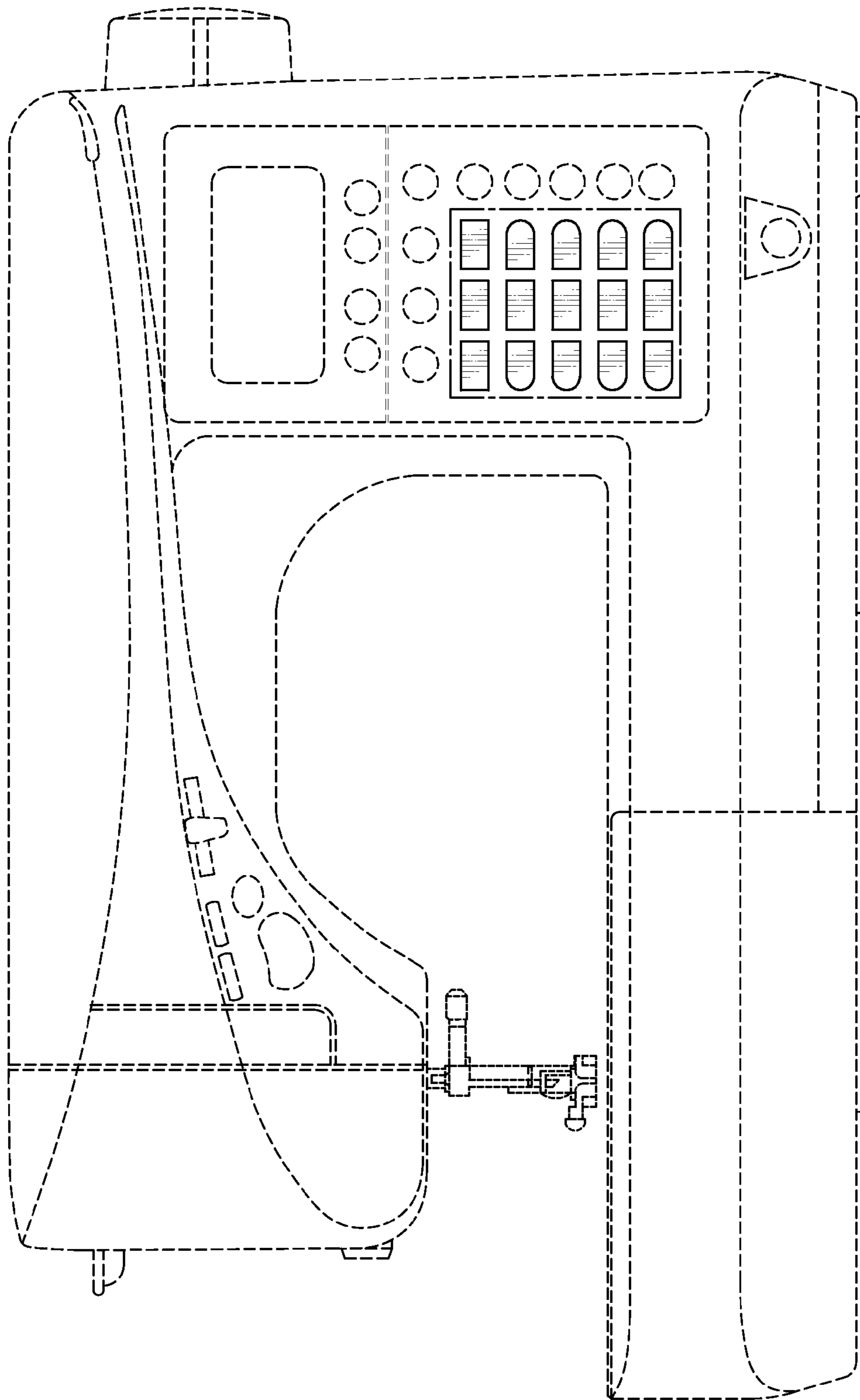


FIG. 1

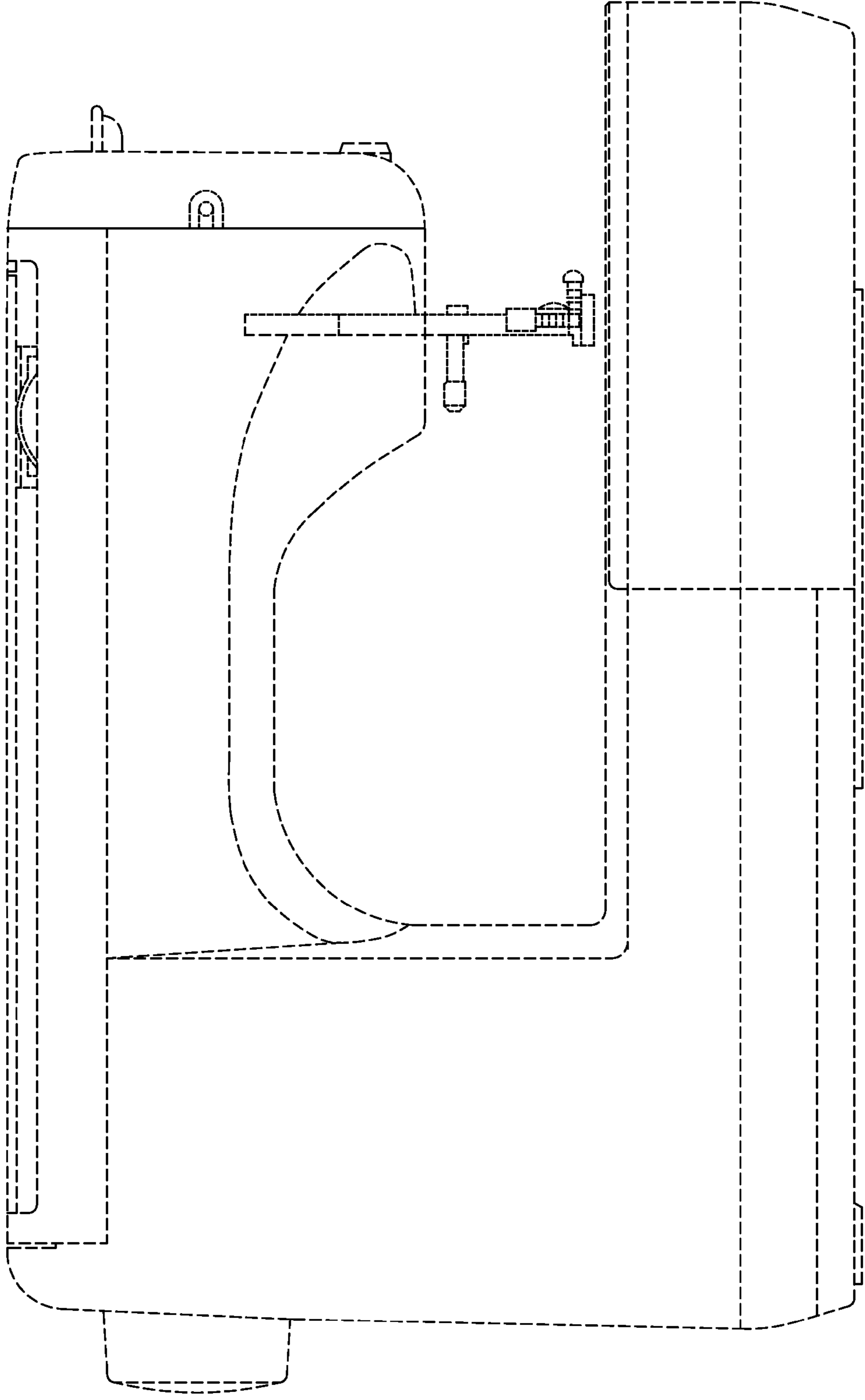


FIG.2

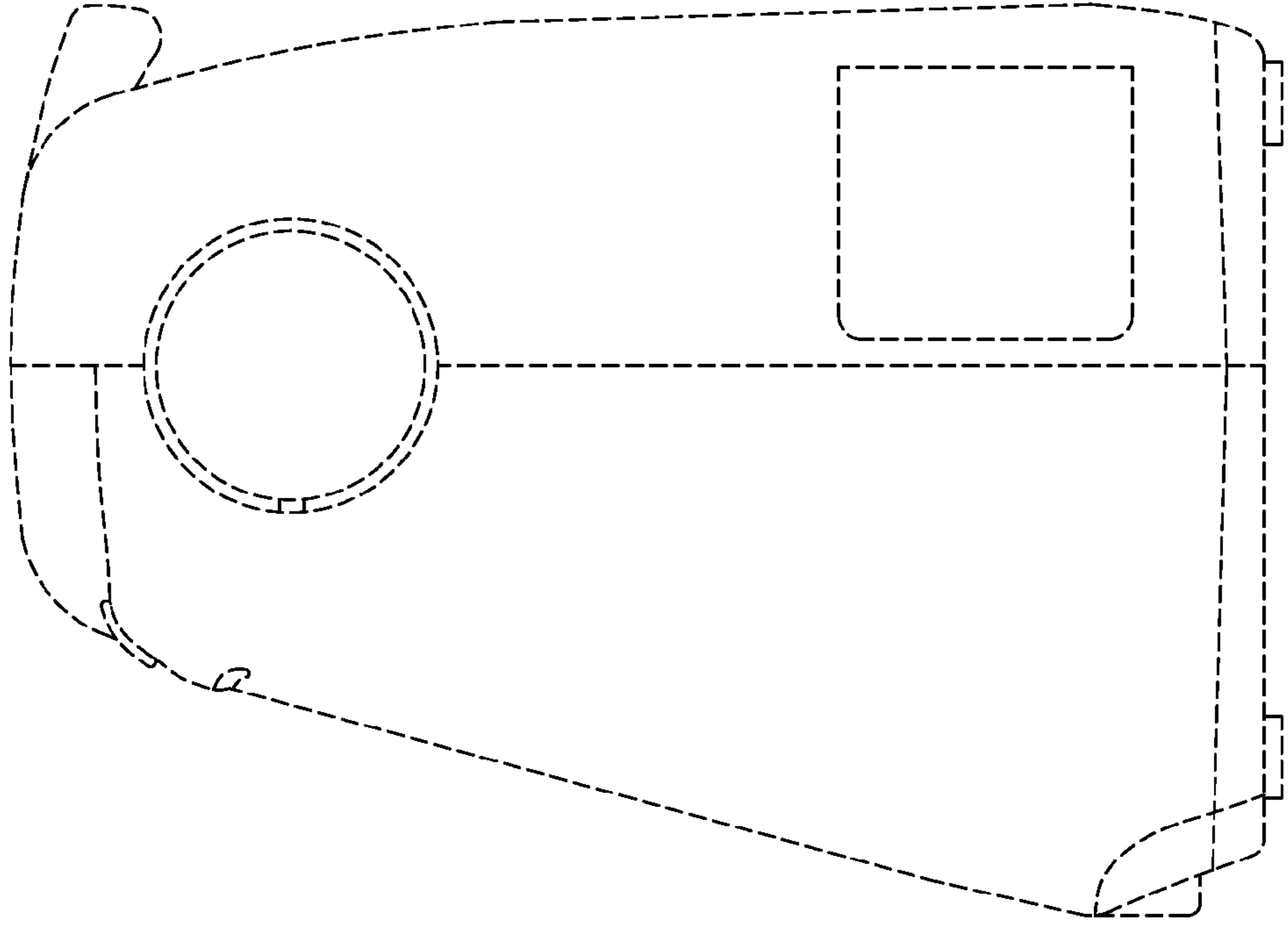


FIG. 4

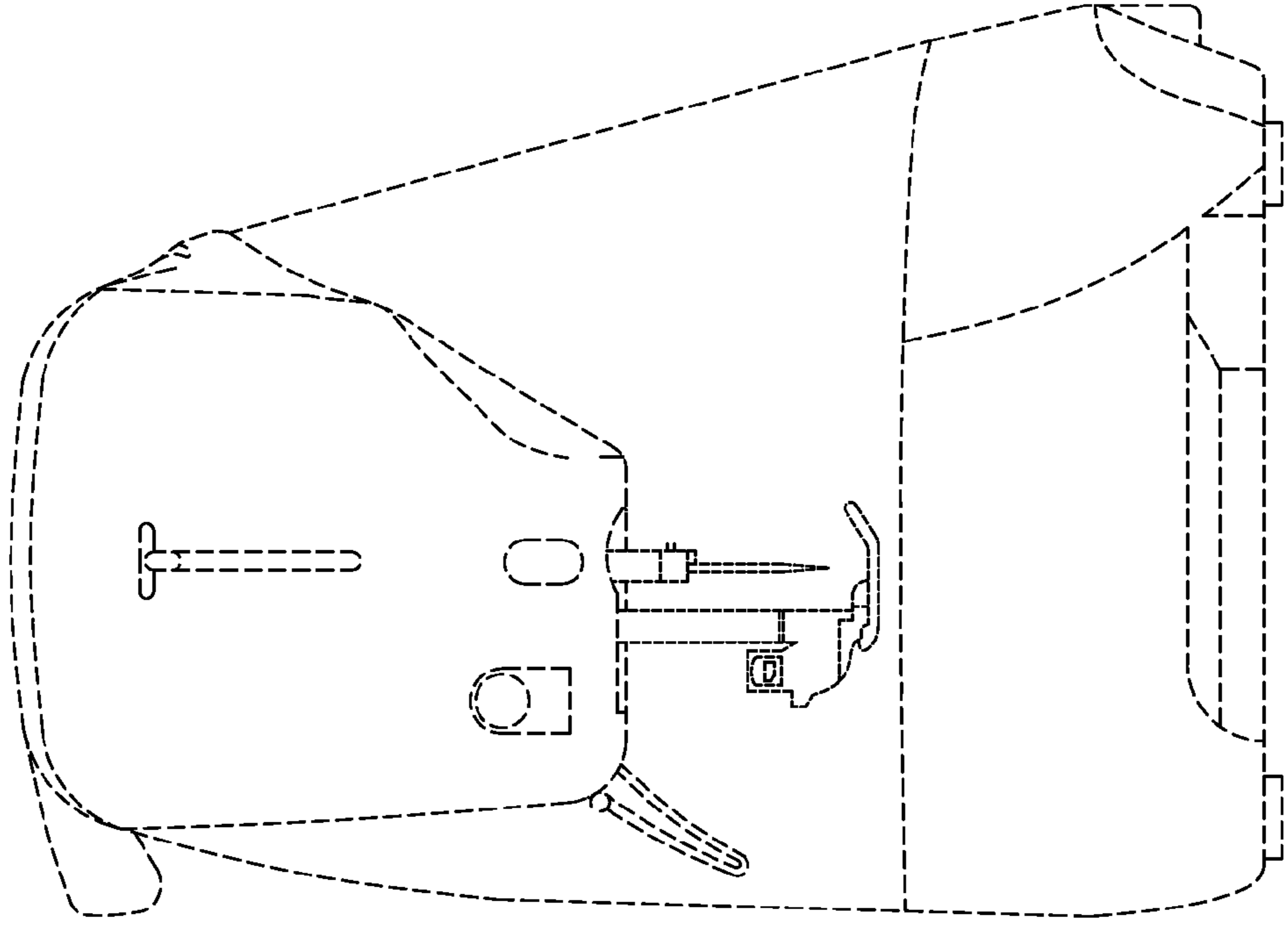


FIG. 3

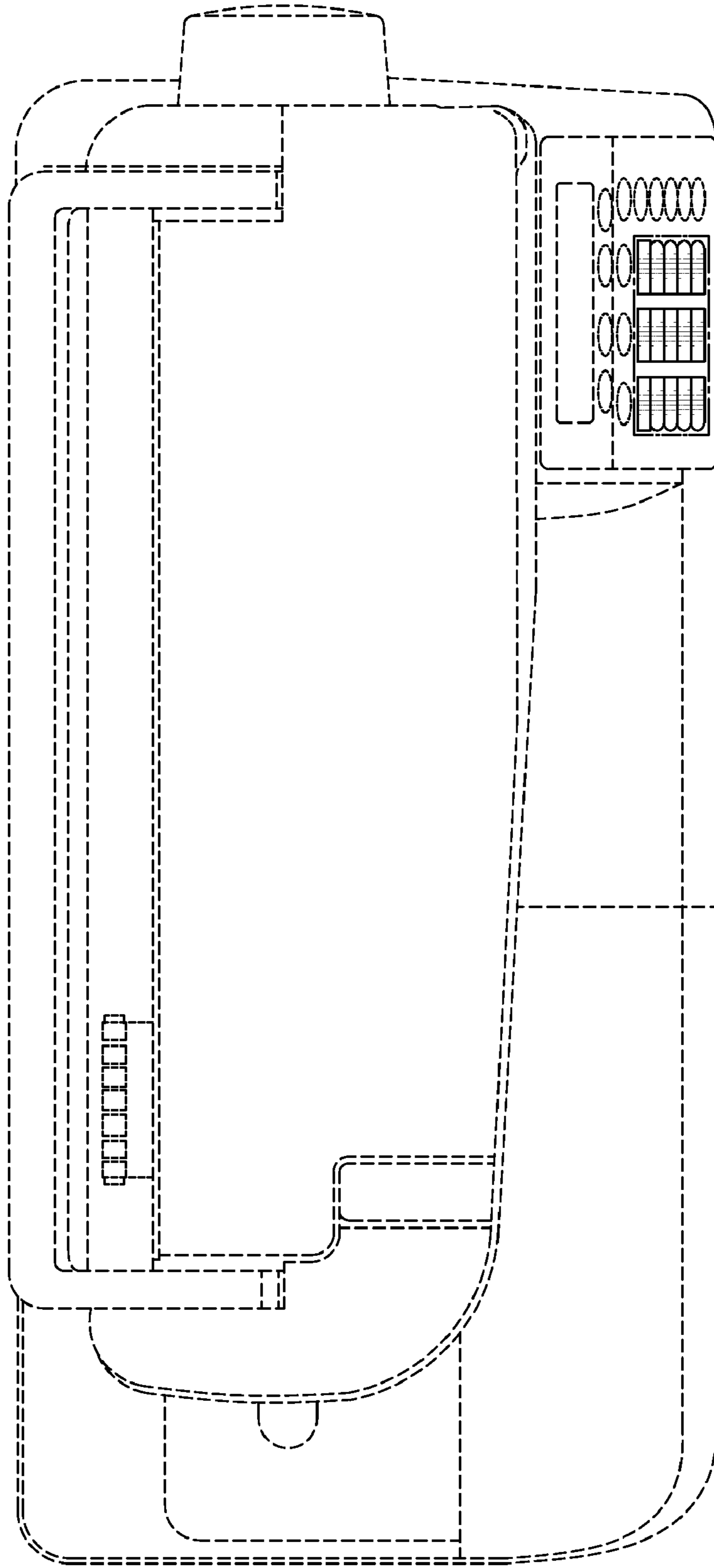


FIG. 5

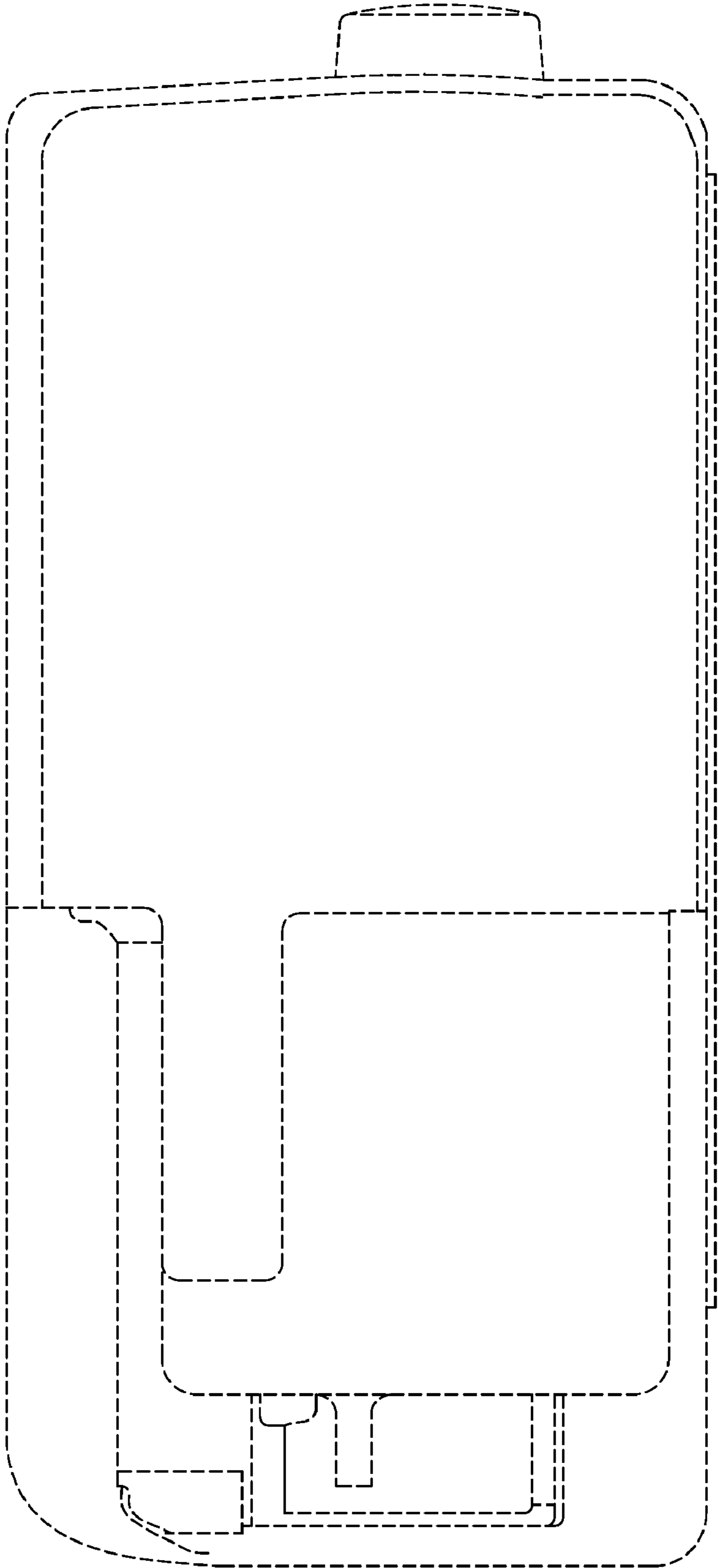


FIG. 6

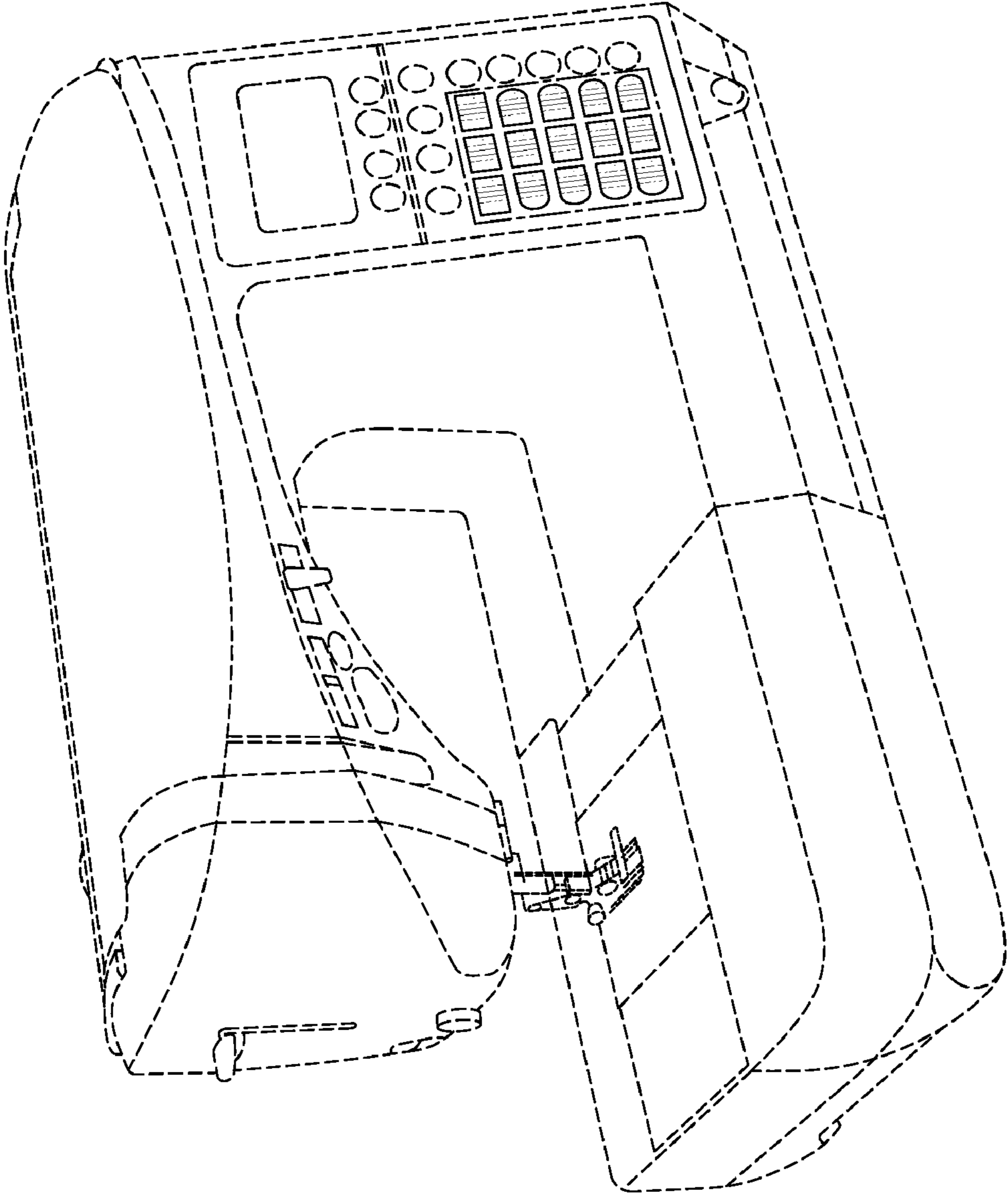


FIG. 7