



US00D596204S

(12) **United States Design Patent**
Kuwae et al.

(10) **Patent No.:** **US D596,204 S**
(45) **Date of Patent:** **** Jul. 14, 2009**

(54) **CABIN FOR WORK MACHINE**

(75) Inventors: **Junta Kuwae**, Sakai (JP); **Aya Motoki**, Toyonaka (JP)

(73) Assignee: **Kubota Corporation**, Osaka (JP)

(**) Term: **14 Years**

(21) Appl. No.: **29/291,830**

(22) Filed: **Sep. 14, 2007**

(30) **Foreign Application Priority Data**

Jun. 25, 2007 (JP) 2007-016929

(51) **LOC (9) Cl.** **15-03**

(52) **U.S. Cl.** **D15/30**

(58) **Field of Classification Search** D15/10,
D15/15, 22-26, 28, 30, 33; D12/96; D34/37;
180/89.1, 89.12, 89.13; 296/190.01, 79,
296/190.08

See application file for complete search history.

(56) **References Cited**

U.S. PATENT DOCUMENTS

- D229,046 S * 11/1973 Purcell et al. D15/30
- D229,687 S * 12/1973 Babbitt et al. D15/30
- 3,802,530 A * 4/1974 Purcell et al. 180/89.12
- D236,528 S * 8/1975 Rinaldi et al. D15/30
- D245,697 S * 9/1977 Skyer et al. D15/30
- D245,698 S * 9/1977 Skyer et al. D15/30
- D249,523 S * 9/1978 Segales D15/30
- D258,823 S * 4/1981 Skyer et al. D15/30
- D275,199 S * 8/1984 Schmidt et al. D15/30
- D288,206 S * 2/1987 Moscovitch D15/30
- D297,329 S * 8/1988 Monehaie et al. D15/30
- D348,678 S * 7/1994 Budde D15/30
- 5,413,188 A * 5/1995 Ui 180/89.12
- D366,267 S * 1/1996 Lepoix D15/30
- D384,358 S * 9/1997 Smith D15/30
- D389,984 S * 1/1998 Johansson D34/37

- 5,911,624 A * 6/1999 Stauffer 454/158
- D424,580 S * 5/2000 Moehle et al. D15/23
- D427,612 S * 7/2000 Shim D15/23
- D479,536 S * 9/2003 Dahl et al. D15/30
- D497,920 S * 11/2004 Antonetti D15/30
- D505,432 S * 5/2005 Antonetti D15/30
- D523,029 S * 6/2006 Crawford et al. D15/30
- D523,875 S * 6/2006 Kim D15/30
- D527,026 S 8/2006 Kuwae et al.
- D528,134 S * 9/2006 Vandendriessche et al. .. D15/30
- D535,310 S * 1/2007 Kuwae et al. D15/30
- D549,245 S * 8/2007 Antonetti et al. D15/30

FOREIGN PATENT DOCUMENTS

JP D1281351 9/2006

* cited by examiner

Primary Examiner—Stella M Reid

Assistant Examiner—Mark A Goodwin

(74) *Attorney, Agent, or Firm*—The Webb Law Firm

(57) **CLAIM**

The ornamental design for a cabin for work machine, as shown and described.

DESCRIPTION

FIG. 1 is a right side view of a cabin for work machine showing our new design;

FIG. 2 is a left side view thereof;

FIG. 3 is a front view thereof;

FIG. 4 is a rear view thereof;

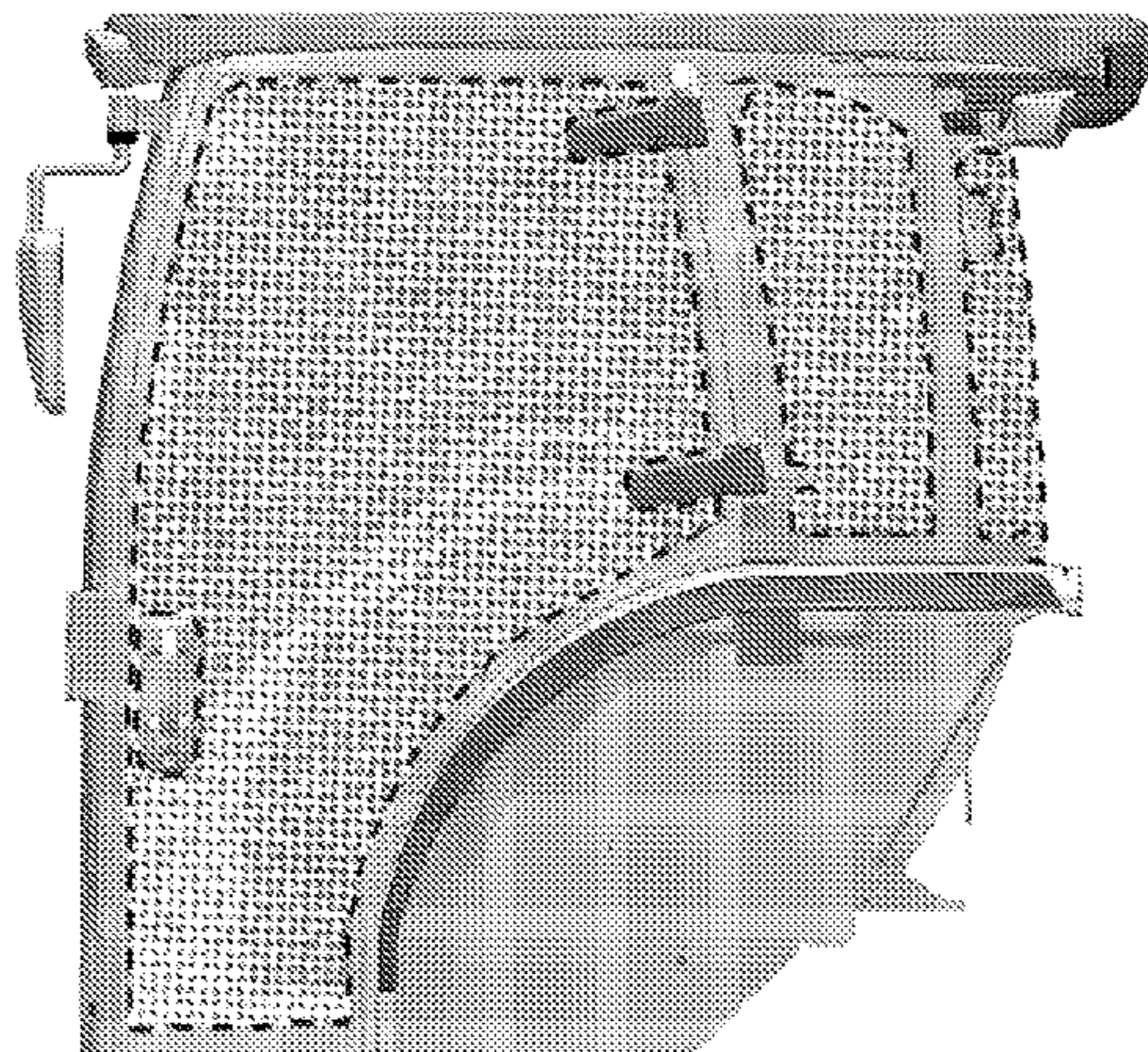
FIG. 5 is top plan view thereof;

FIG. 6 is a right front perspective view thereof; and,

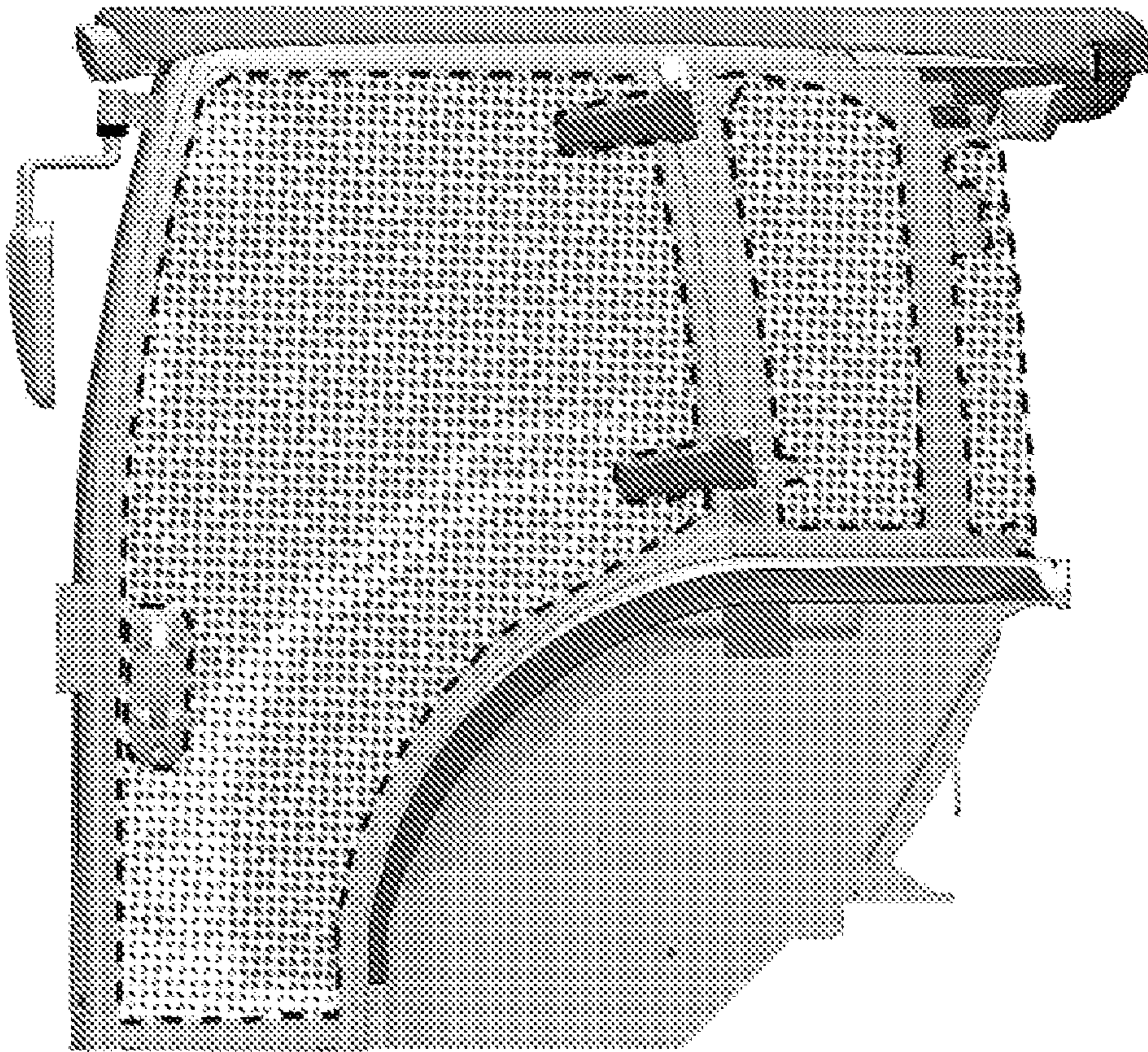
FIG. 7 is a right rear perspective view thereof.

Areas of the photographs shown in a coarse dot pattern and outlined in dashed lines illustrate a portion of the cabin for work machine that forms no part of the claimed design.

1 Claim, 7 Drawing Sheets



F i g . 1



F i g . 2

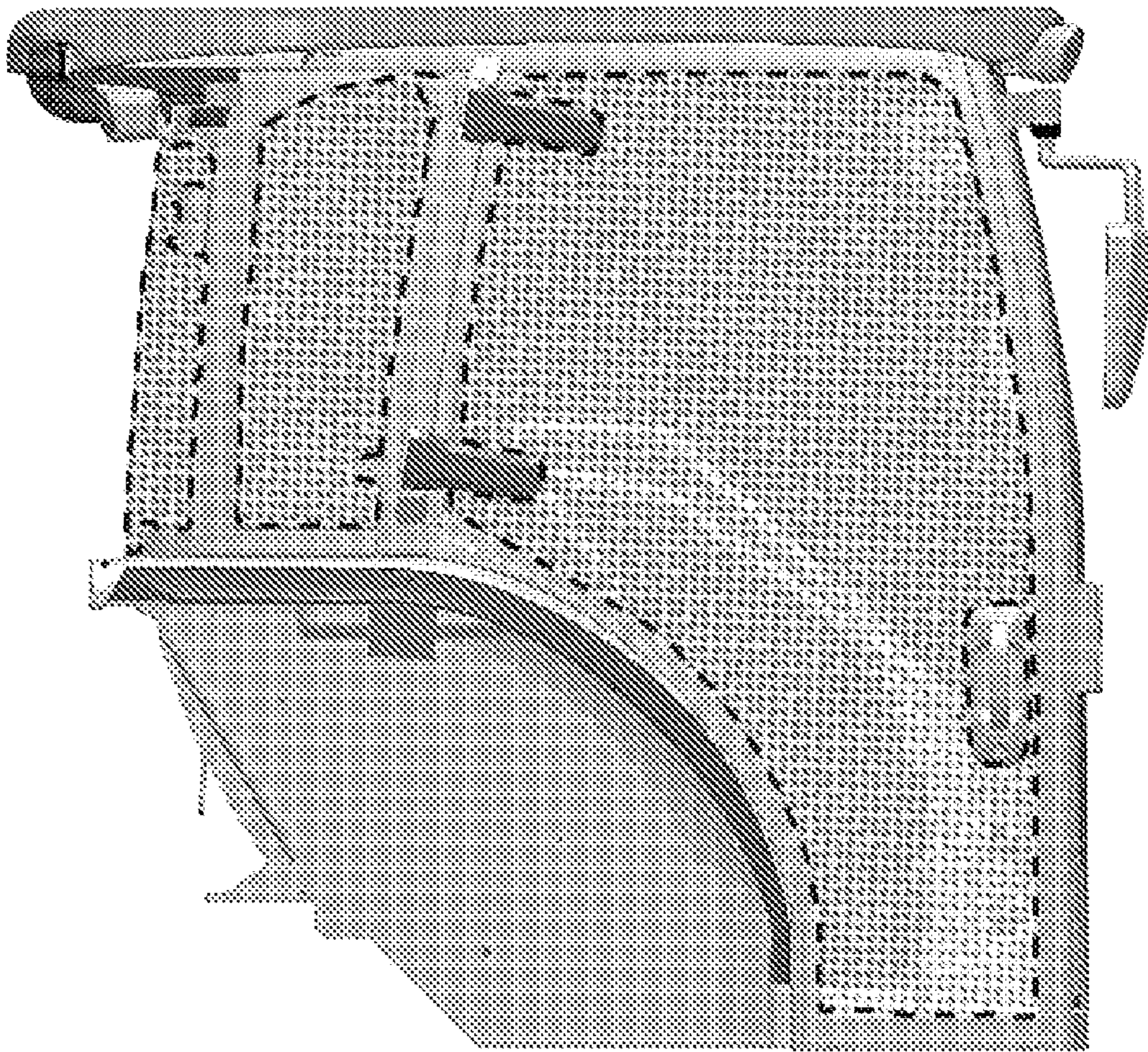
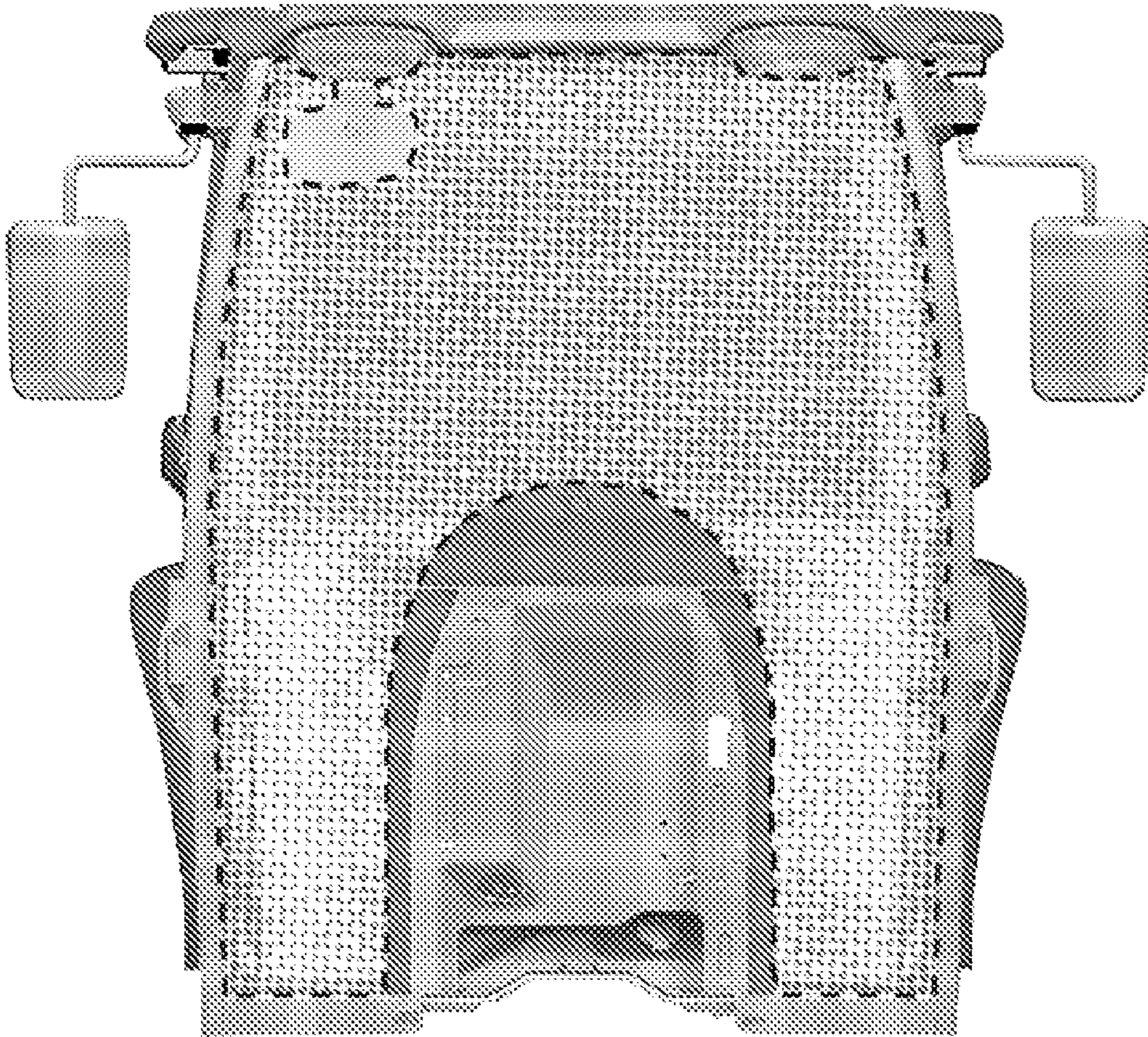


Fig. 3



F i g . 4

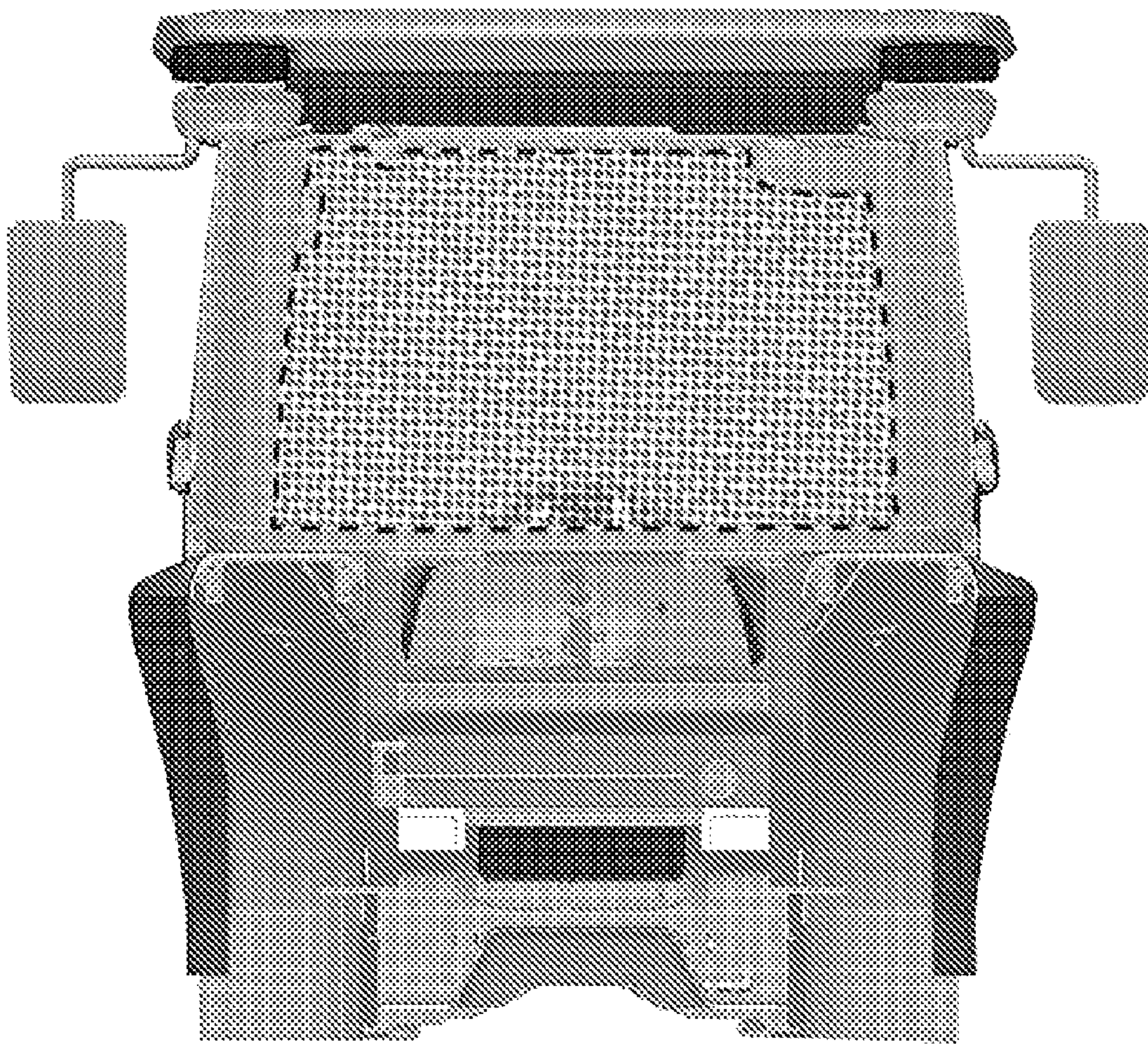


Fig. 5

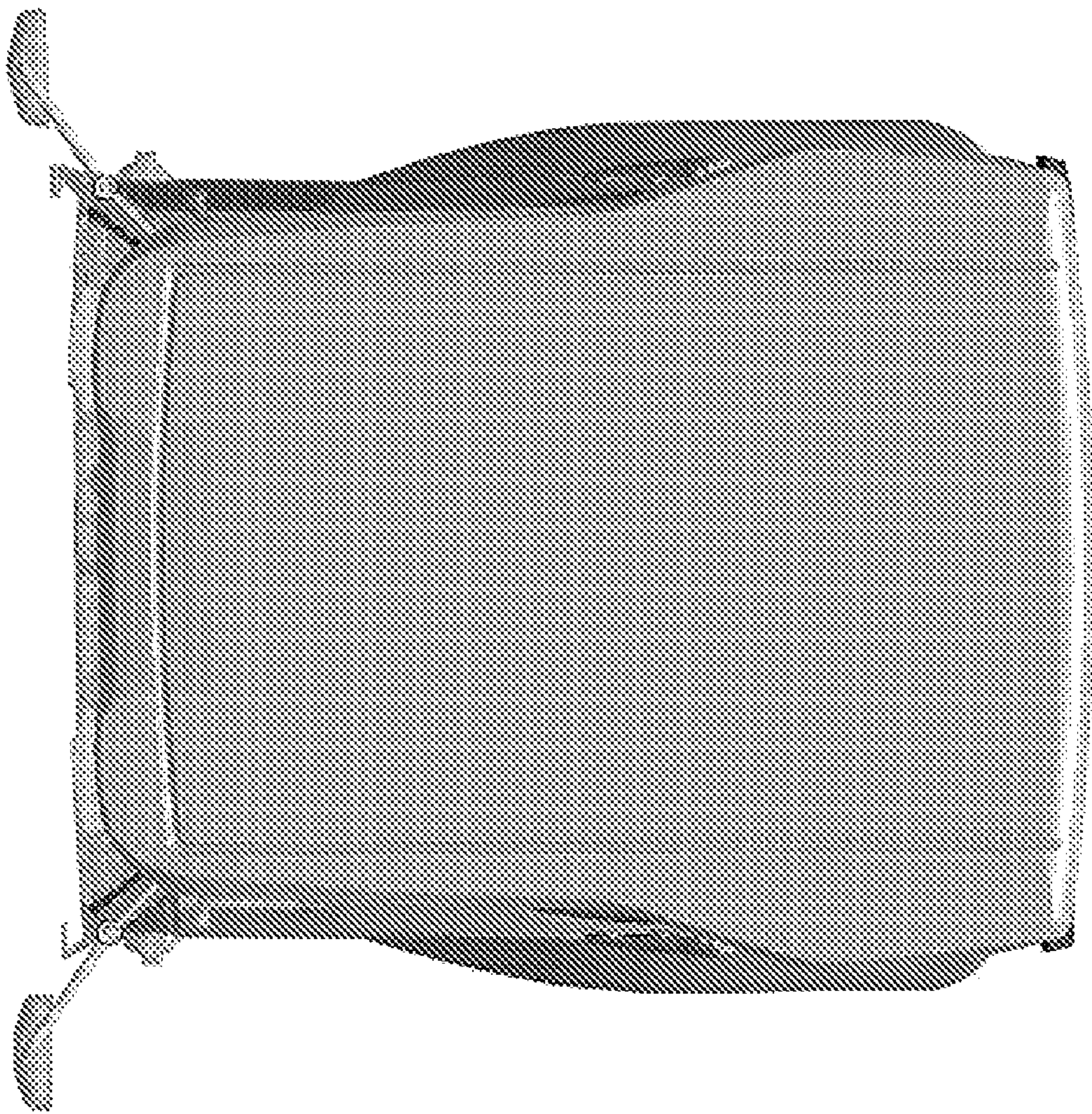
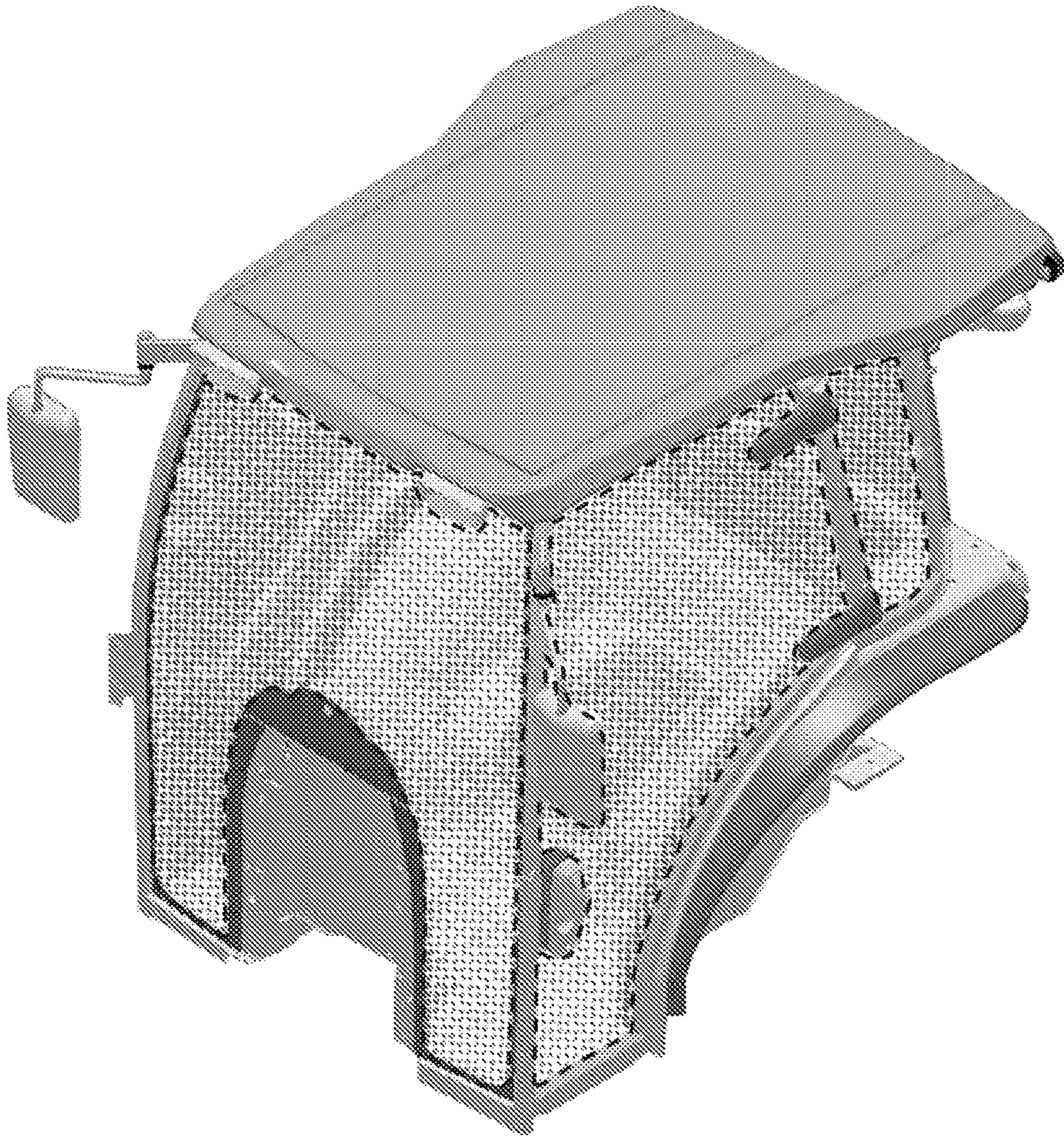


Fig. 6



F i g . 7

